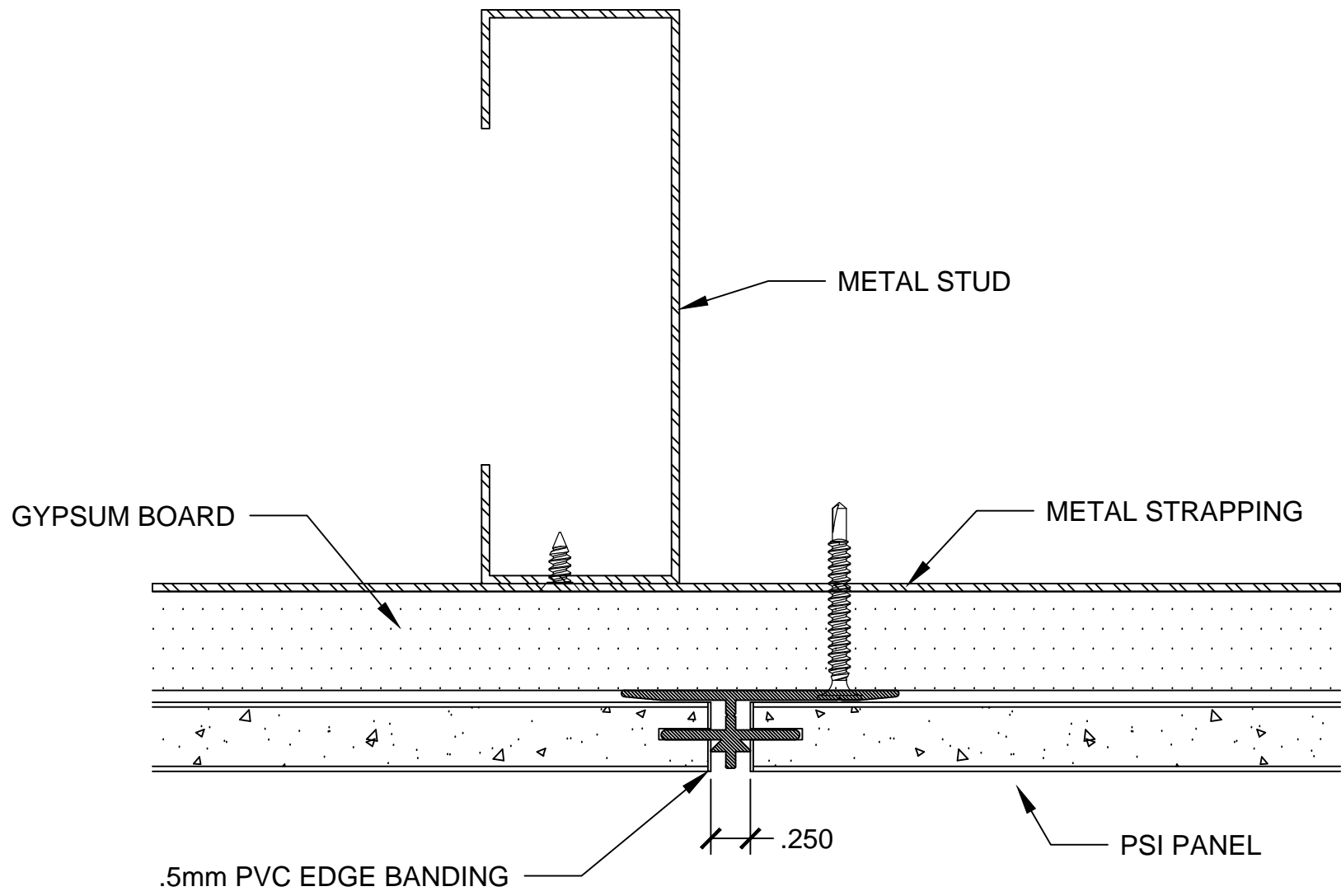


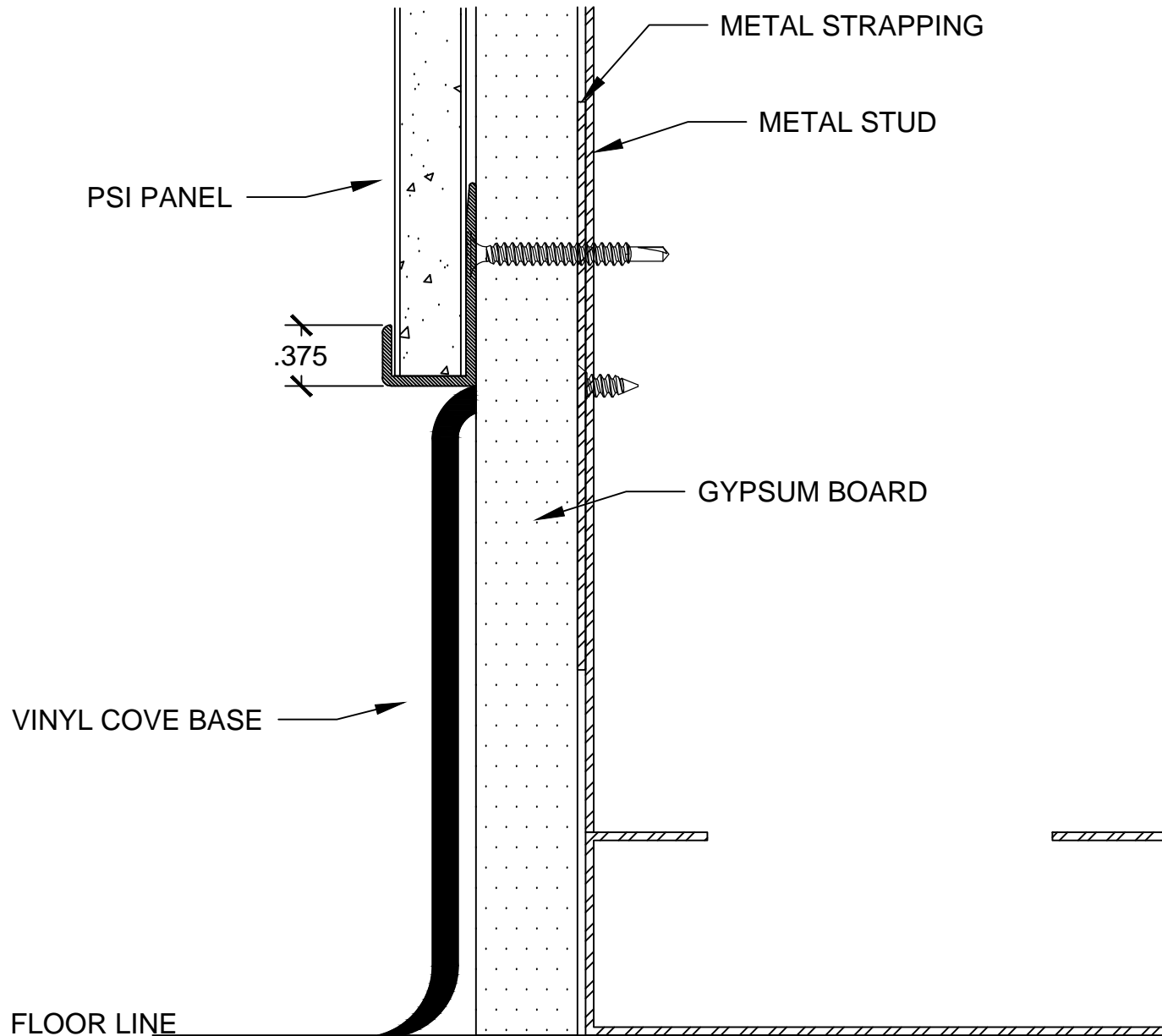
#631 HORIZONTAL REVEAL

RIGHT SIDE VIEW



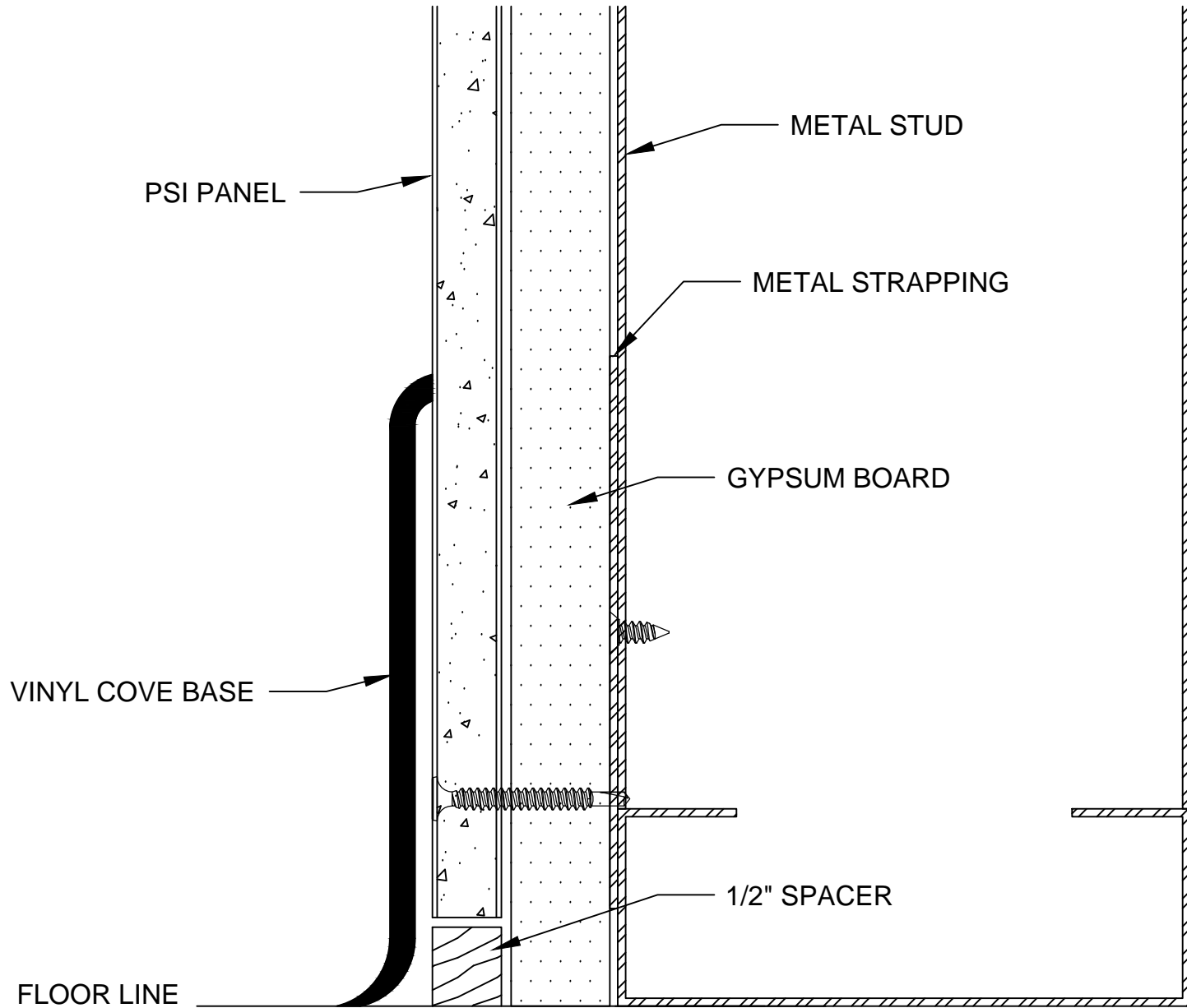
#631 VERTICAL REVEAL

TOP VIEW



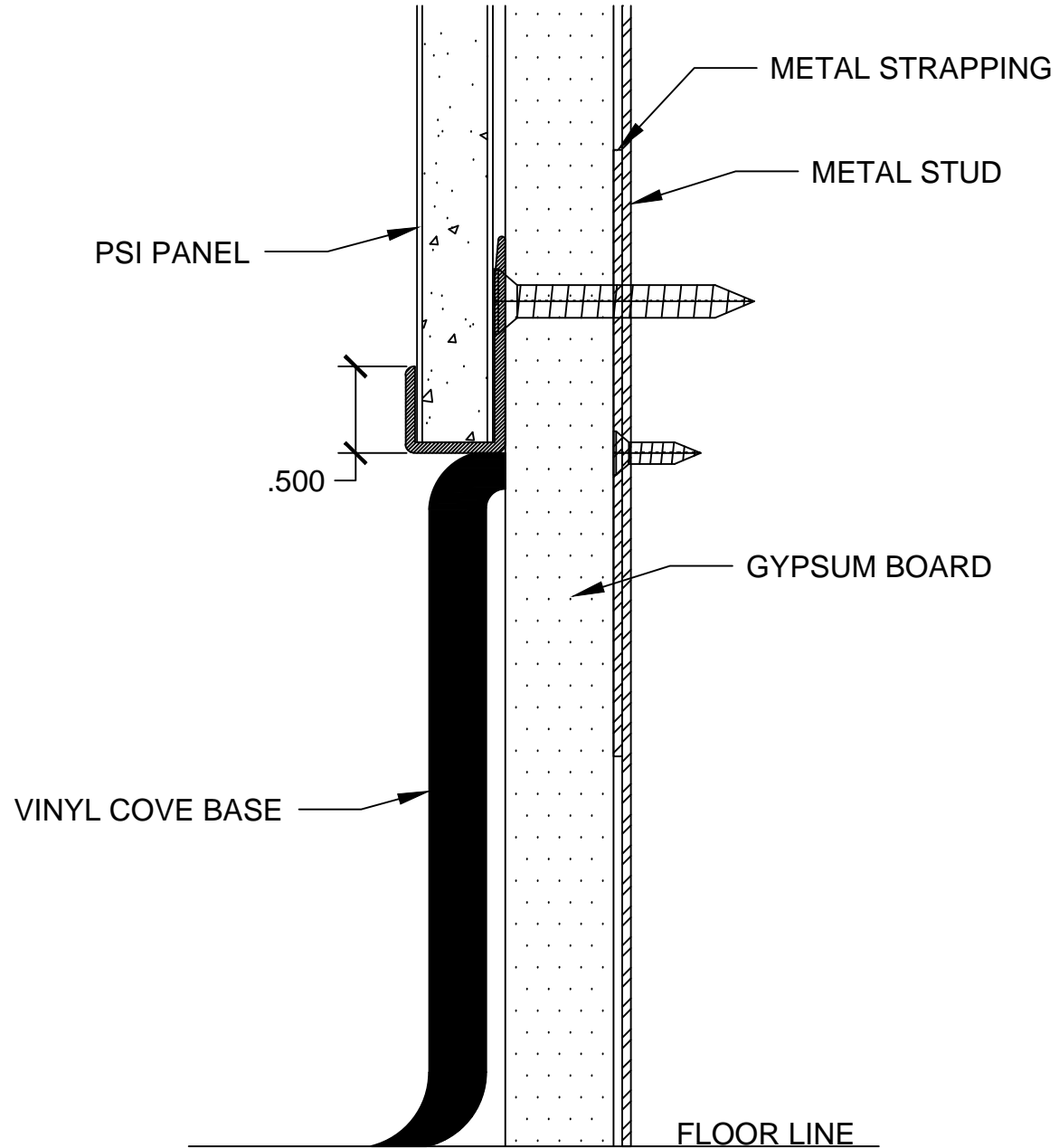
#604 BOTTOM EDGE TRIM - ABOVE BASE

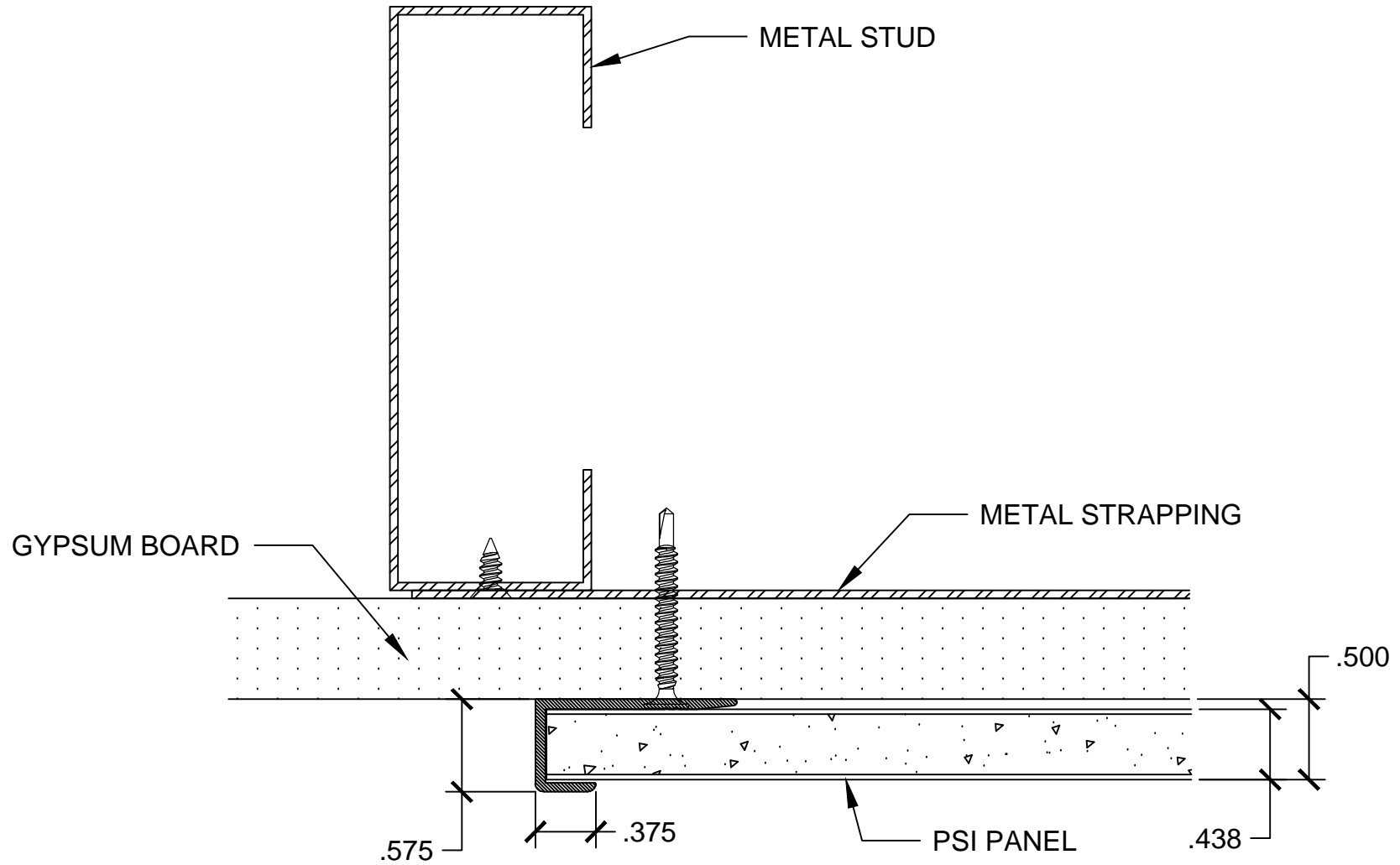
RIGHT SIDE VIEW

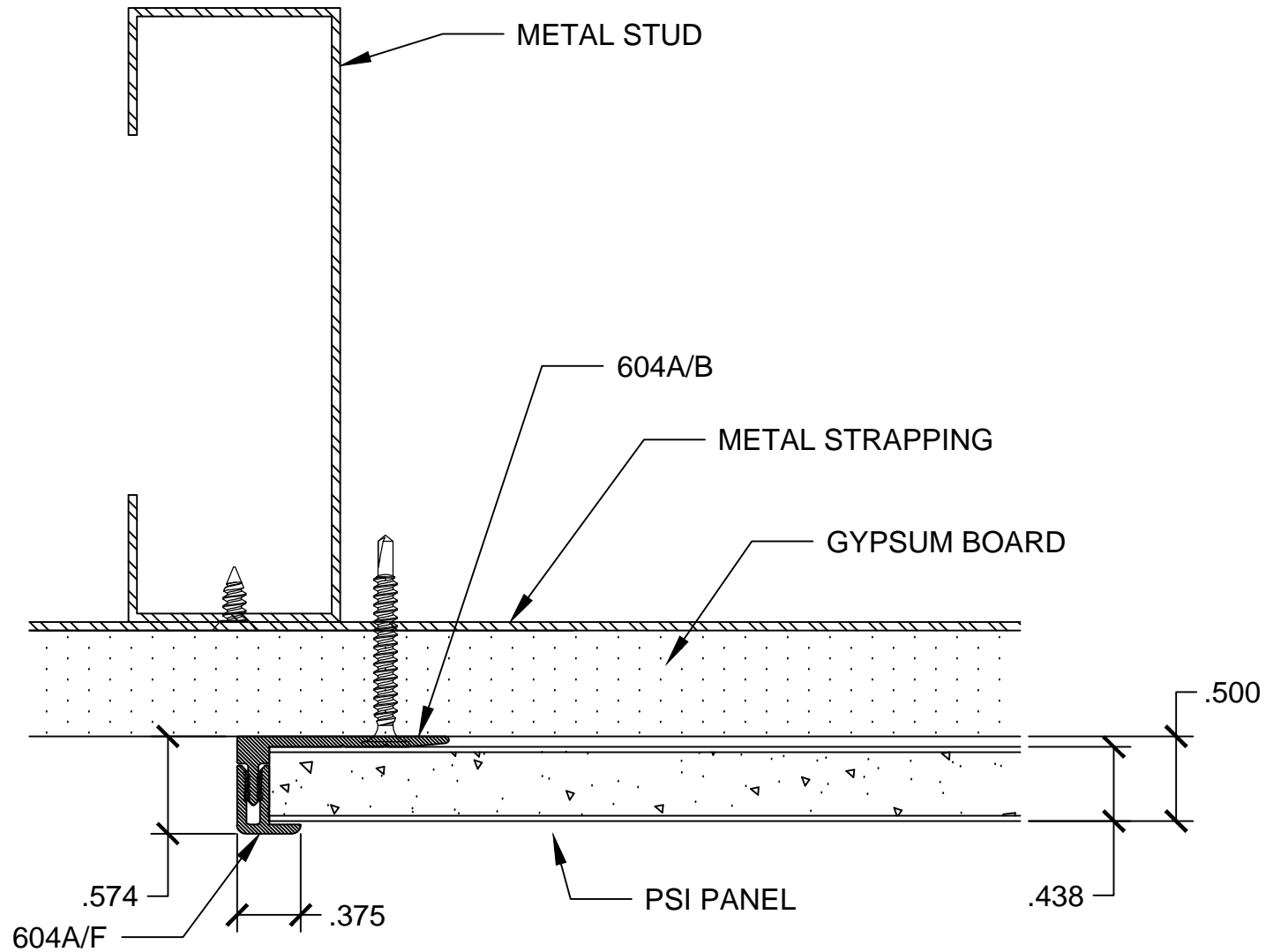


ALTERNATE - BEHIND BASE

RIGHT SIDE VIEW

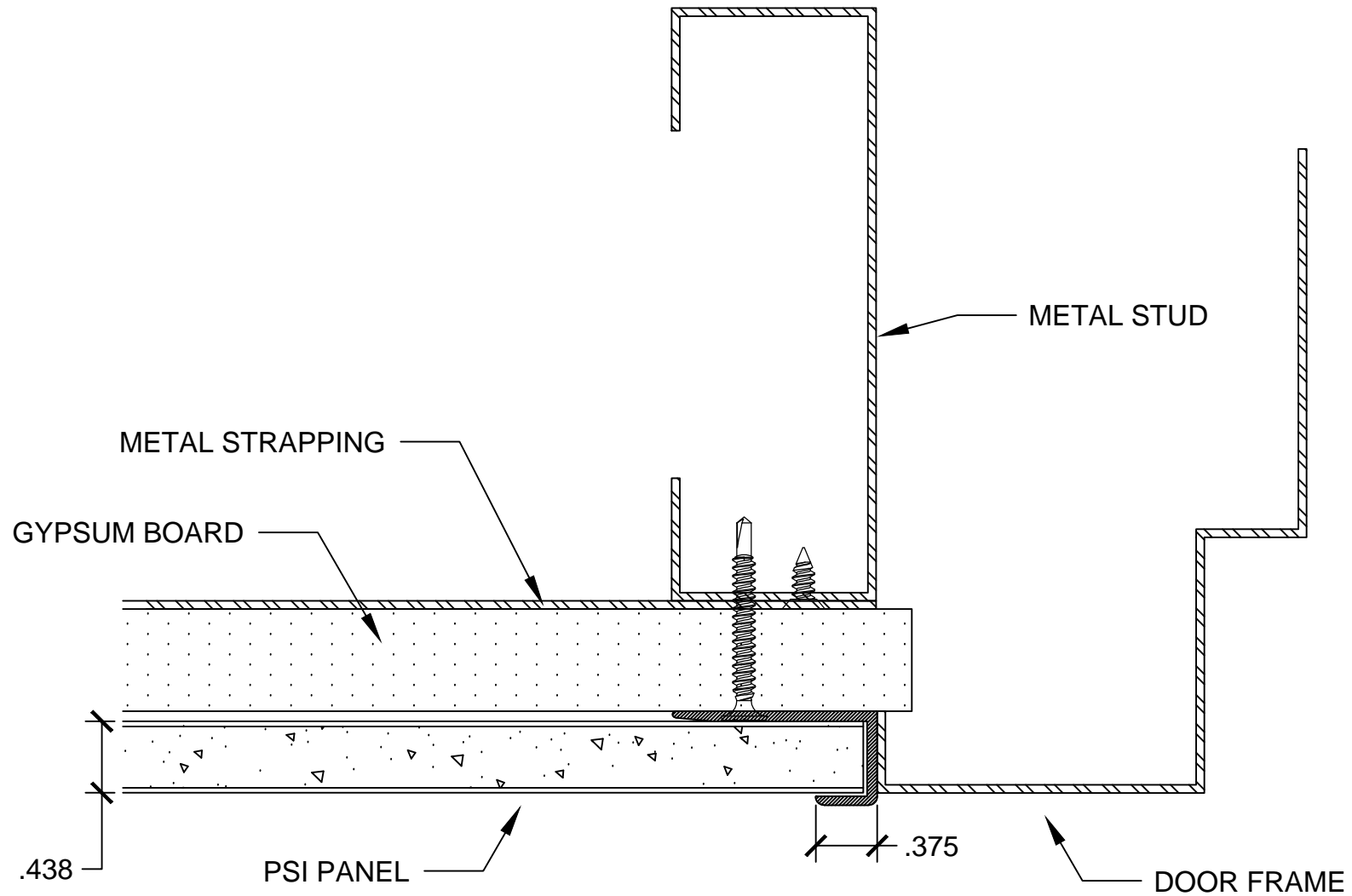




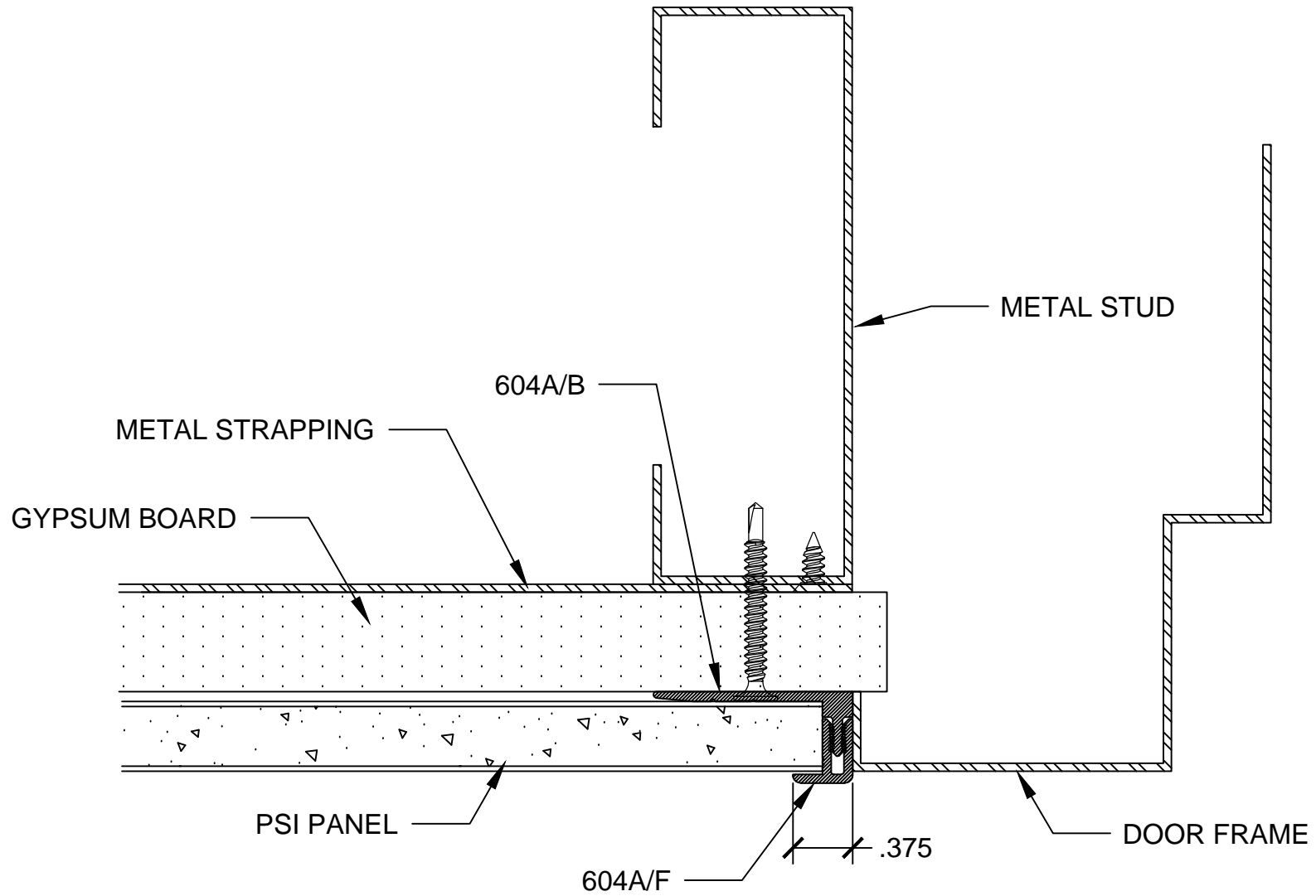


#604A VERTICAL EDGE TRIM

TOP VIEW

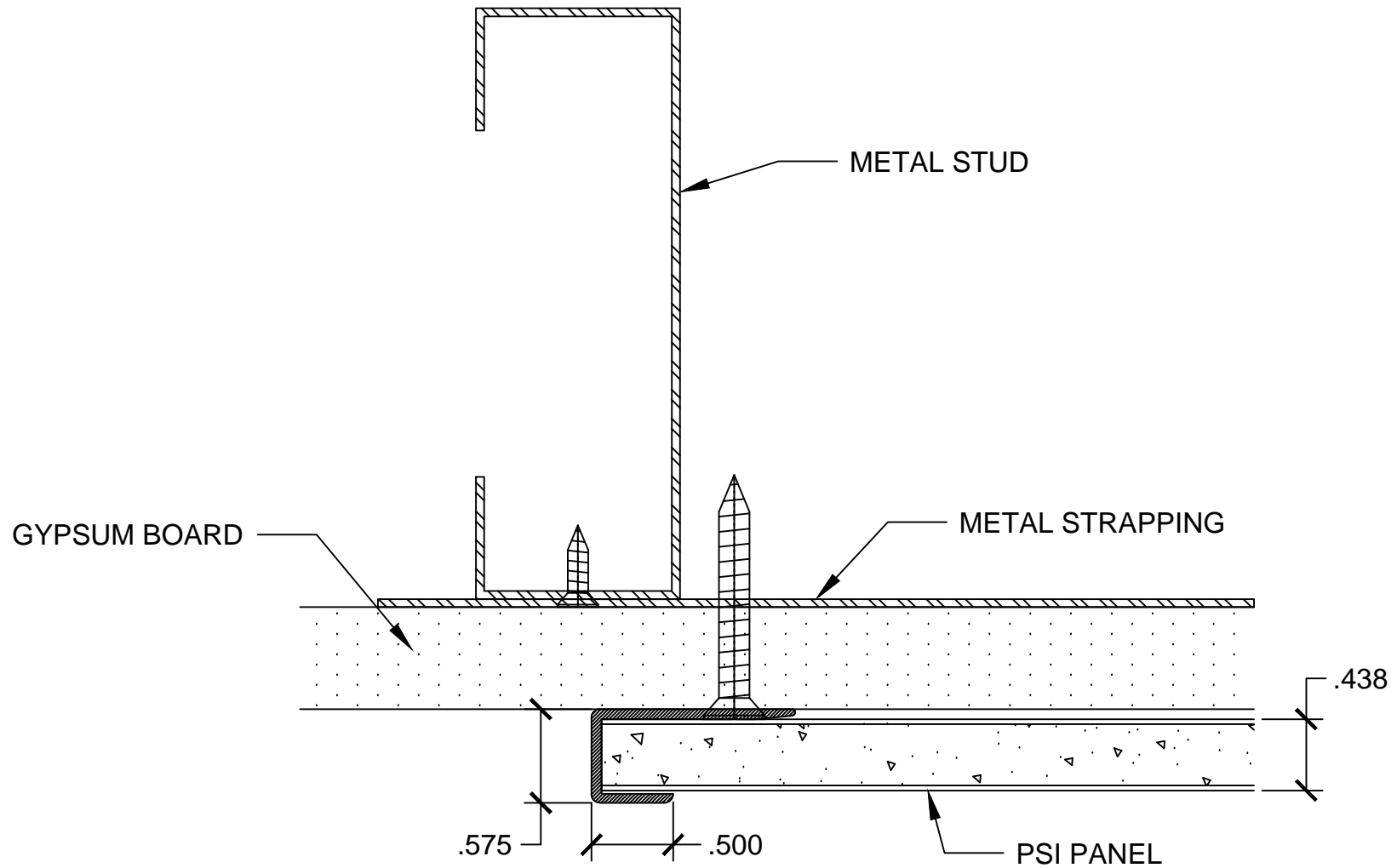


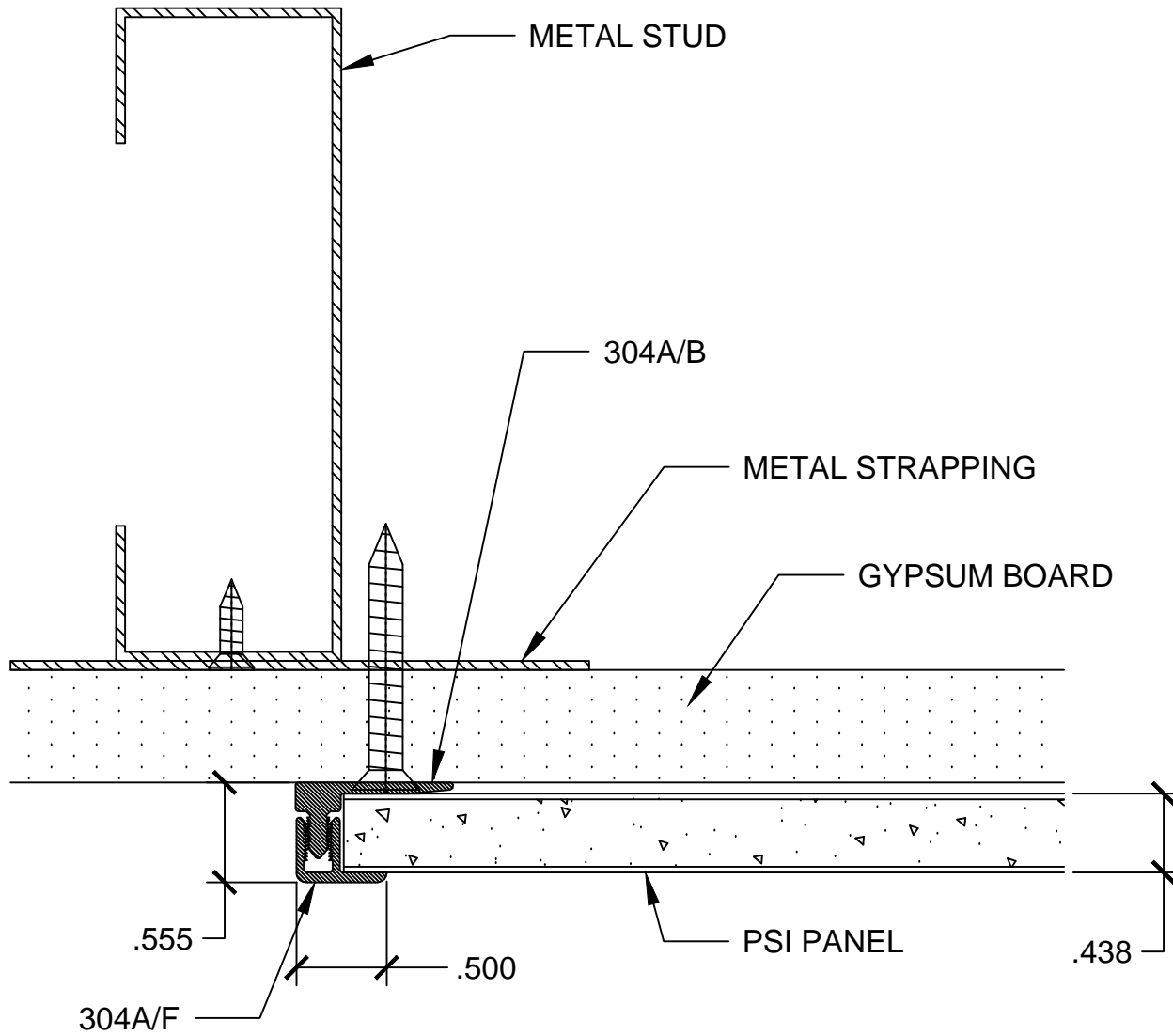


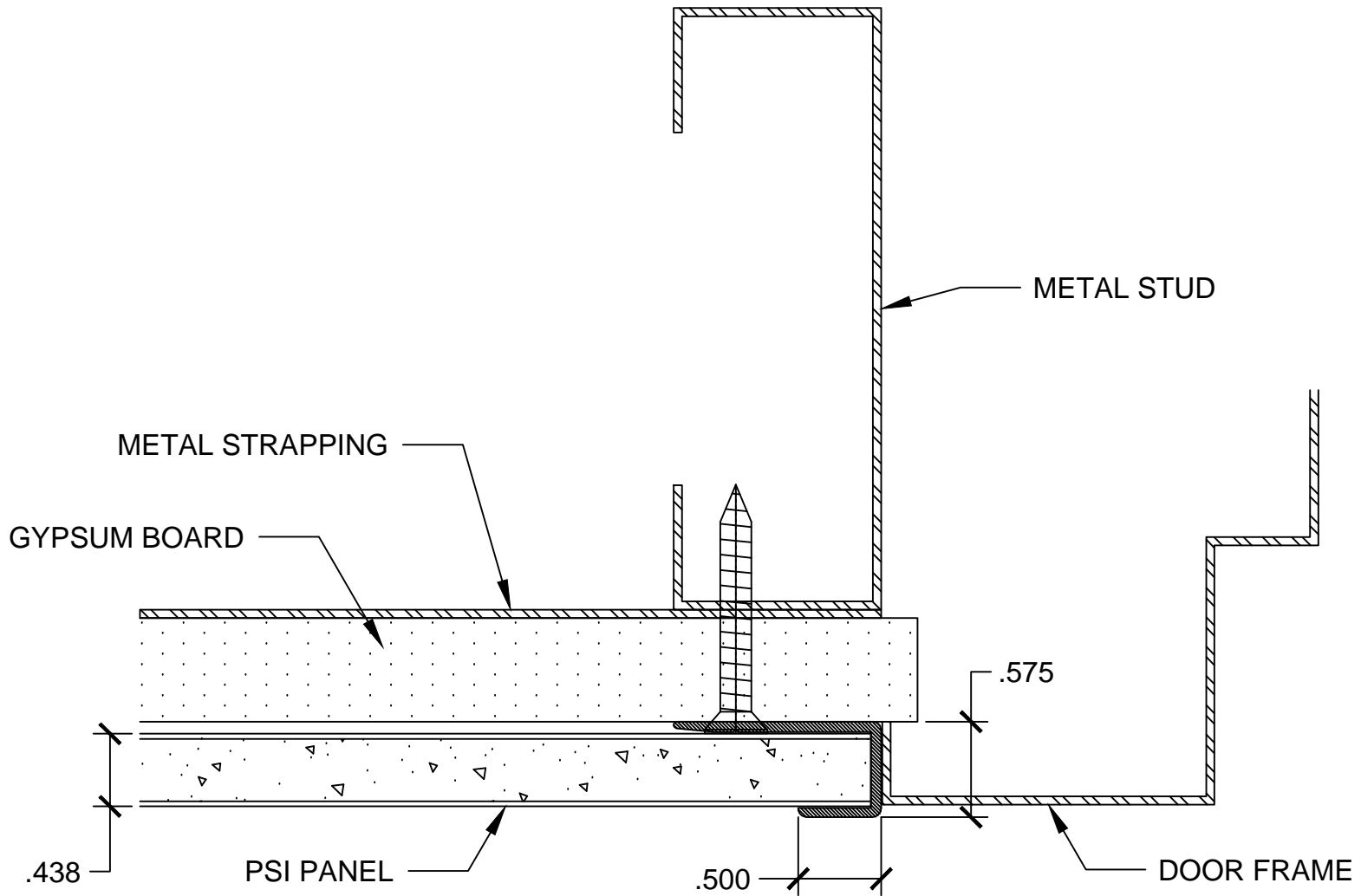


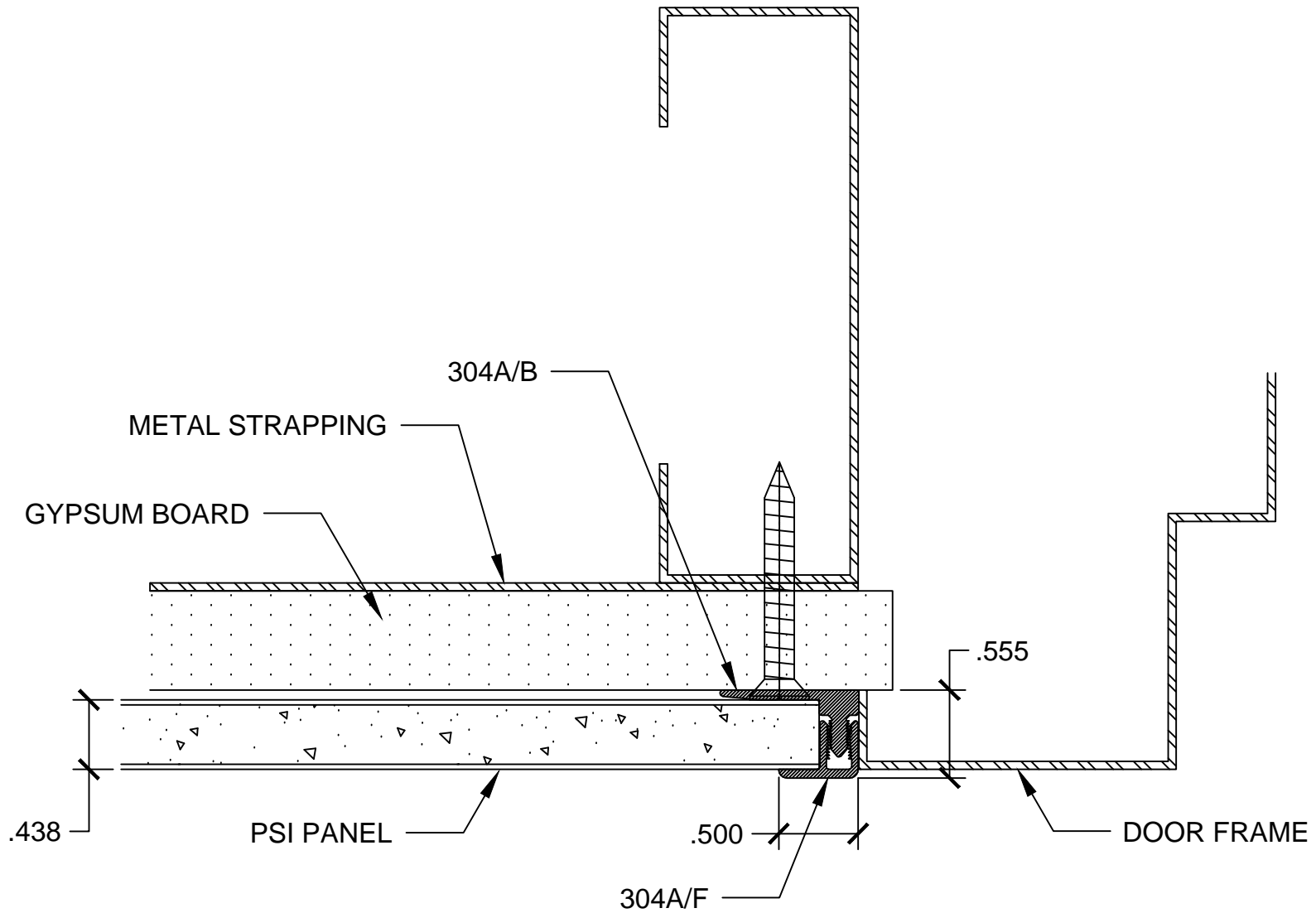
#604A EDGE TRIM @ DOOR OR WINDOW FRAME

TOP VIEW



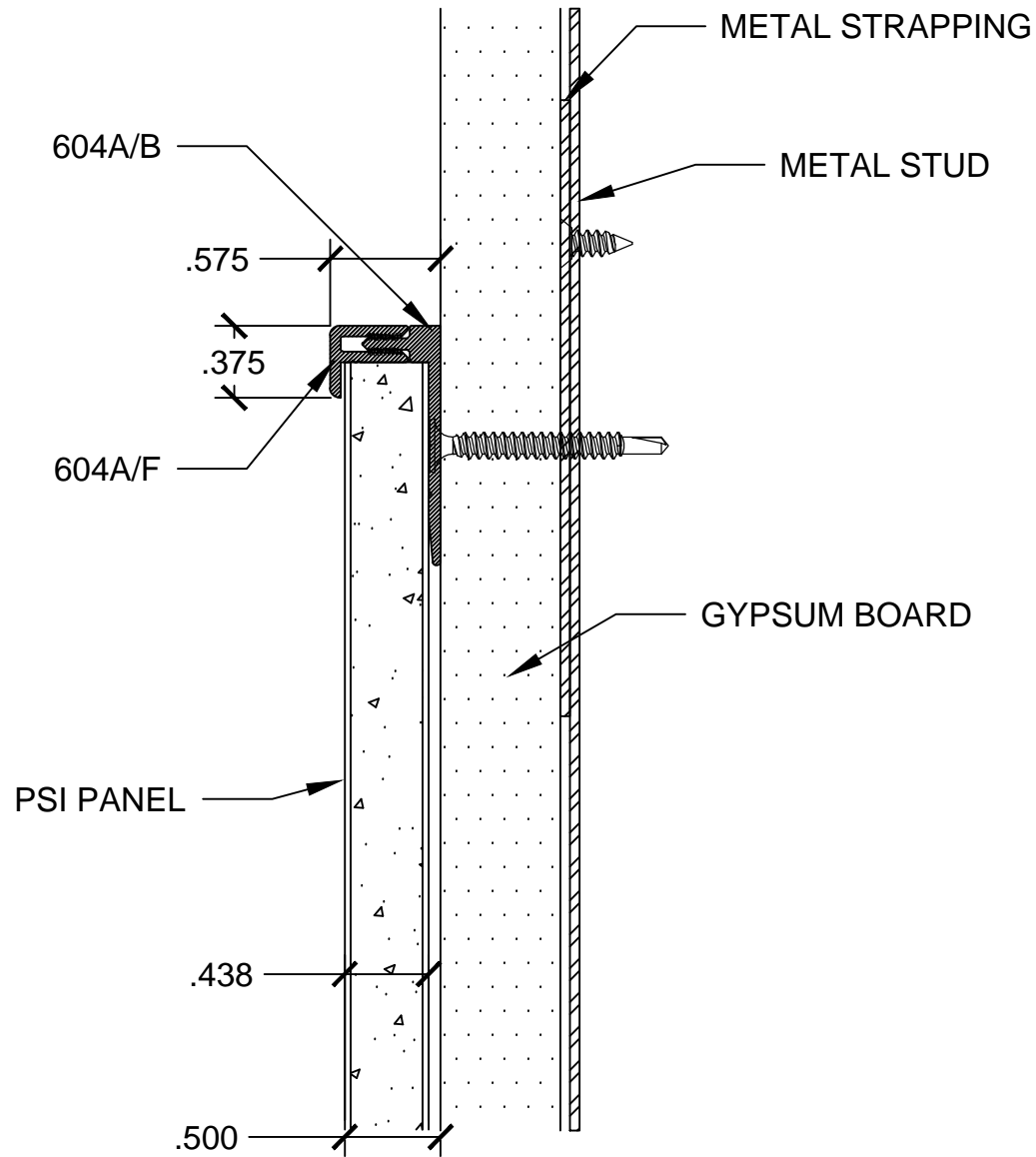






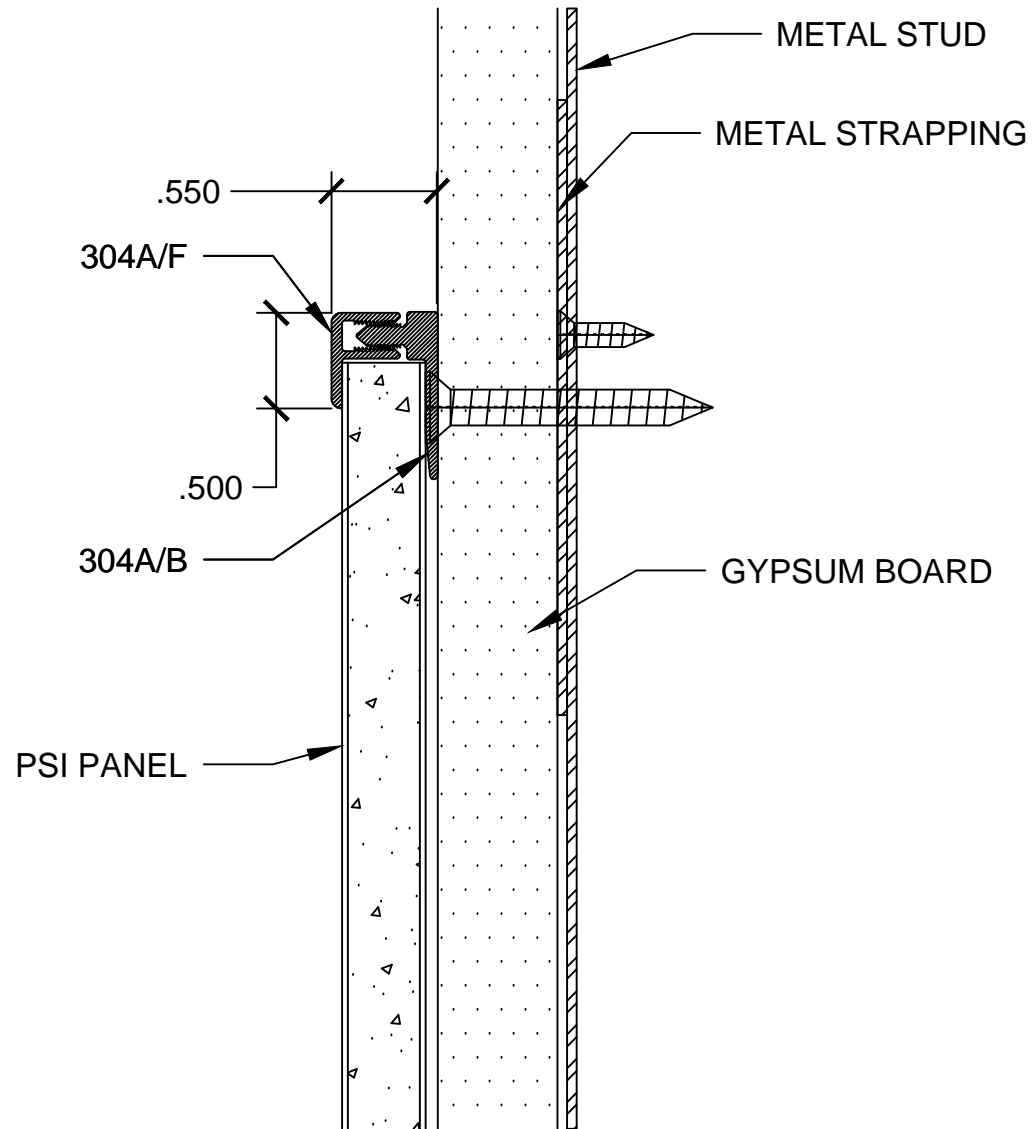
#304A EDGE TRIM @ DOOR OR WINDOW FRAME

TOP VIEW



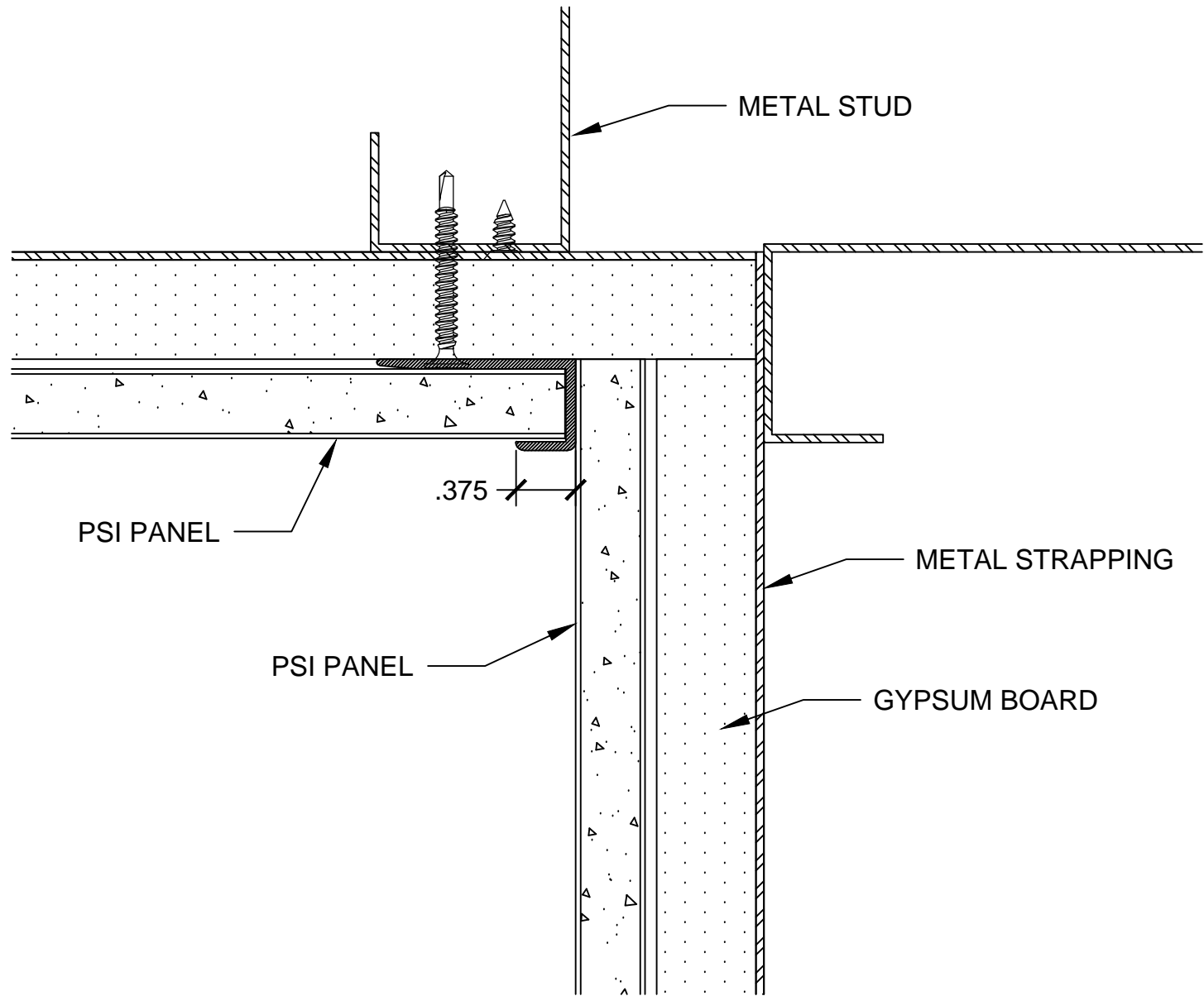
#604A TOP EDGE TRIM

RIGHT SIDE VIEW

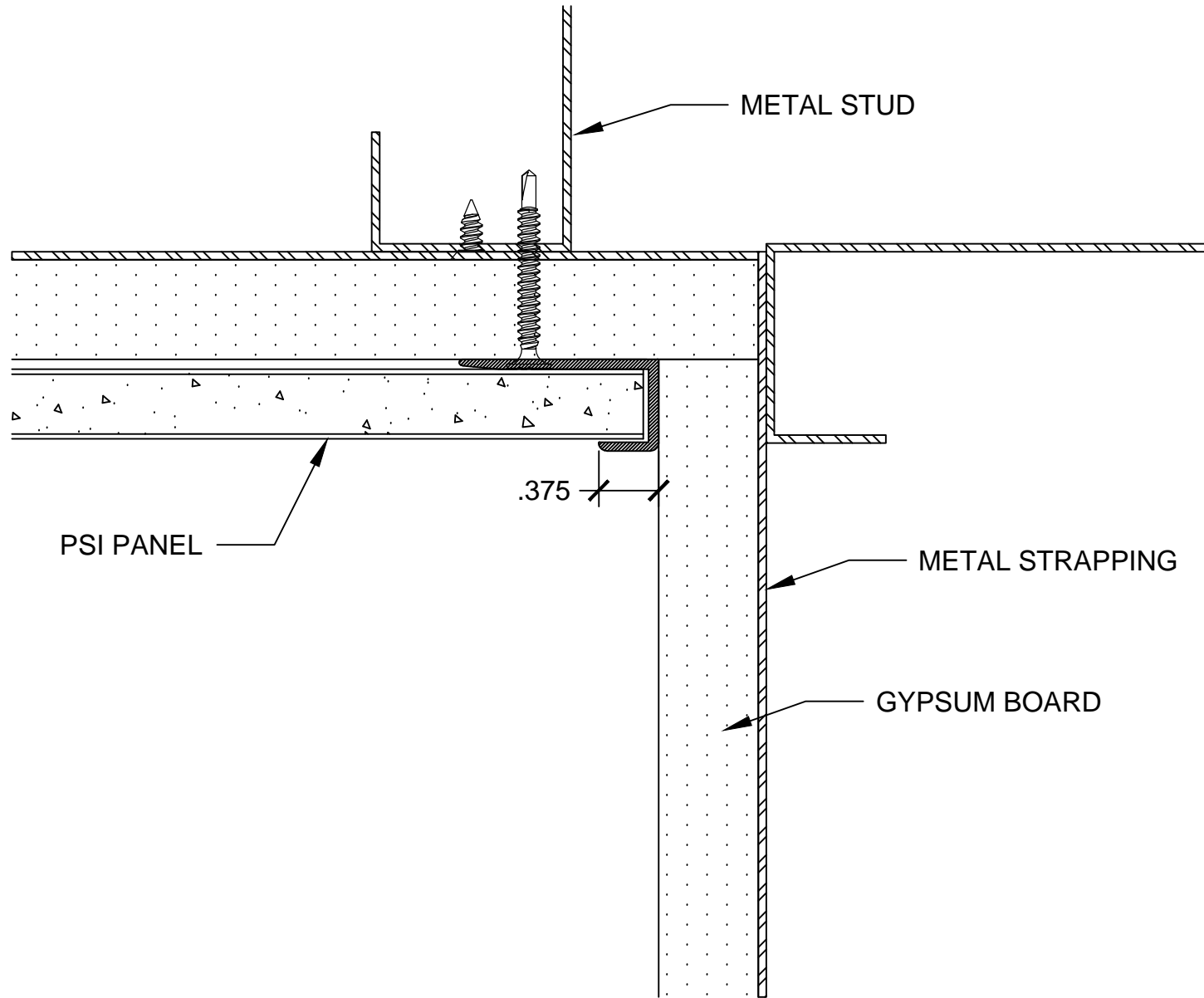


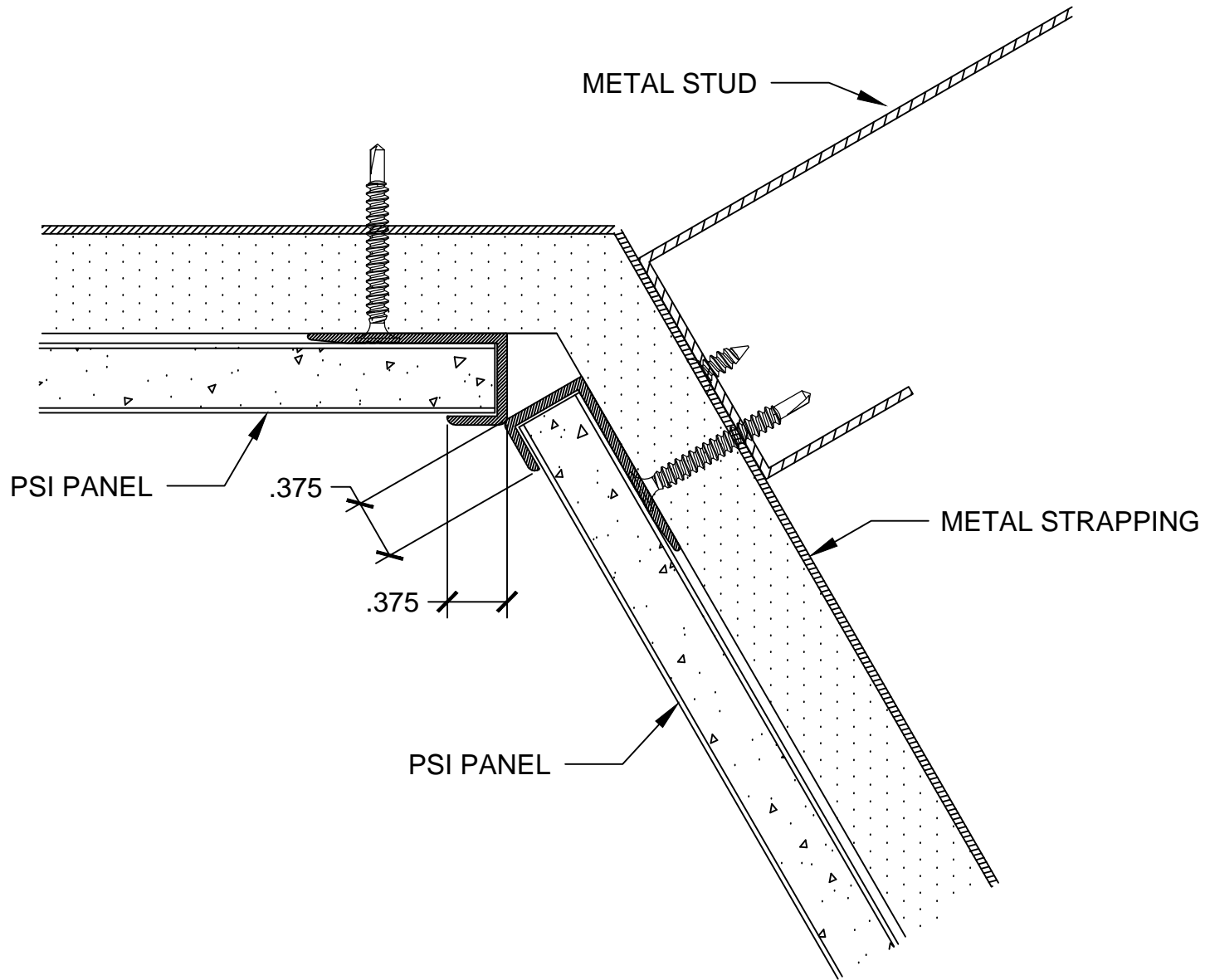
#304A TOP EDGE TRIM

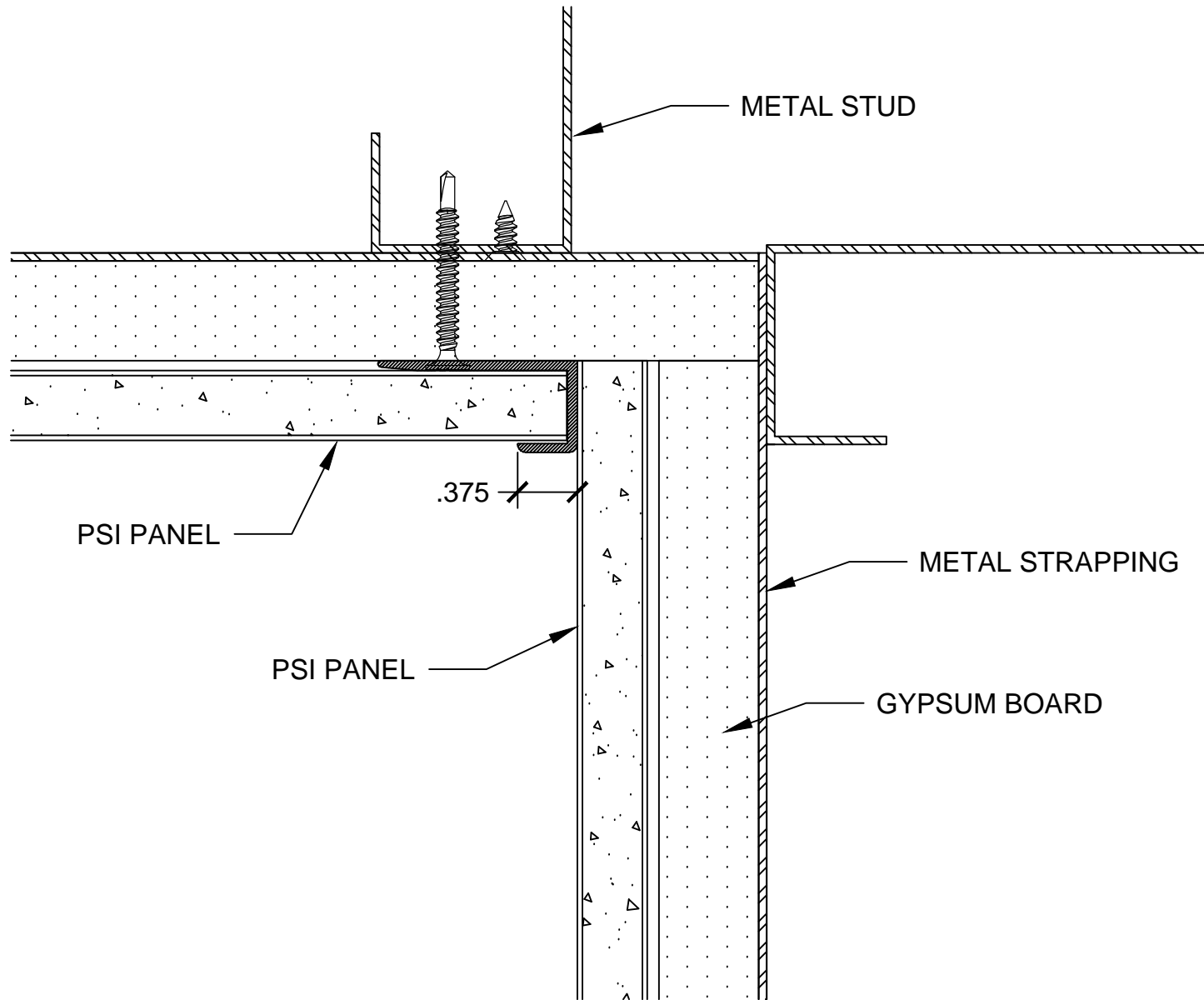
RIGHT SIDE VIEW

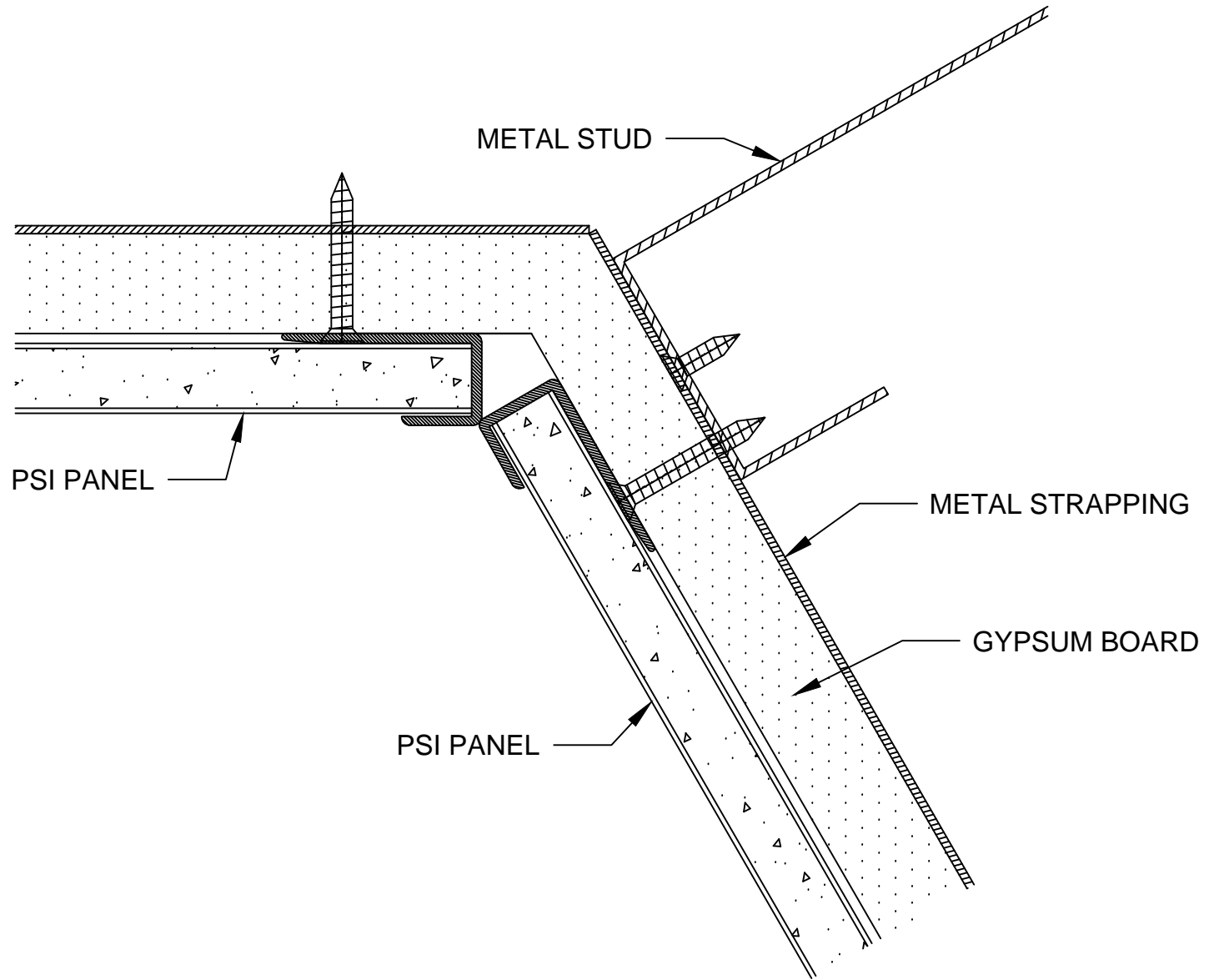


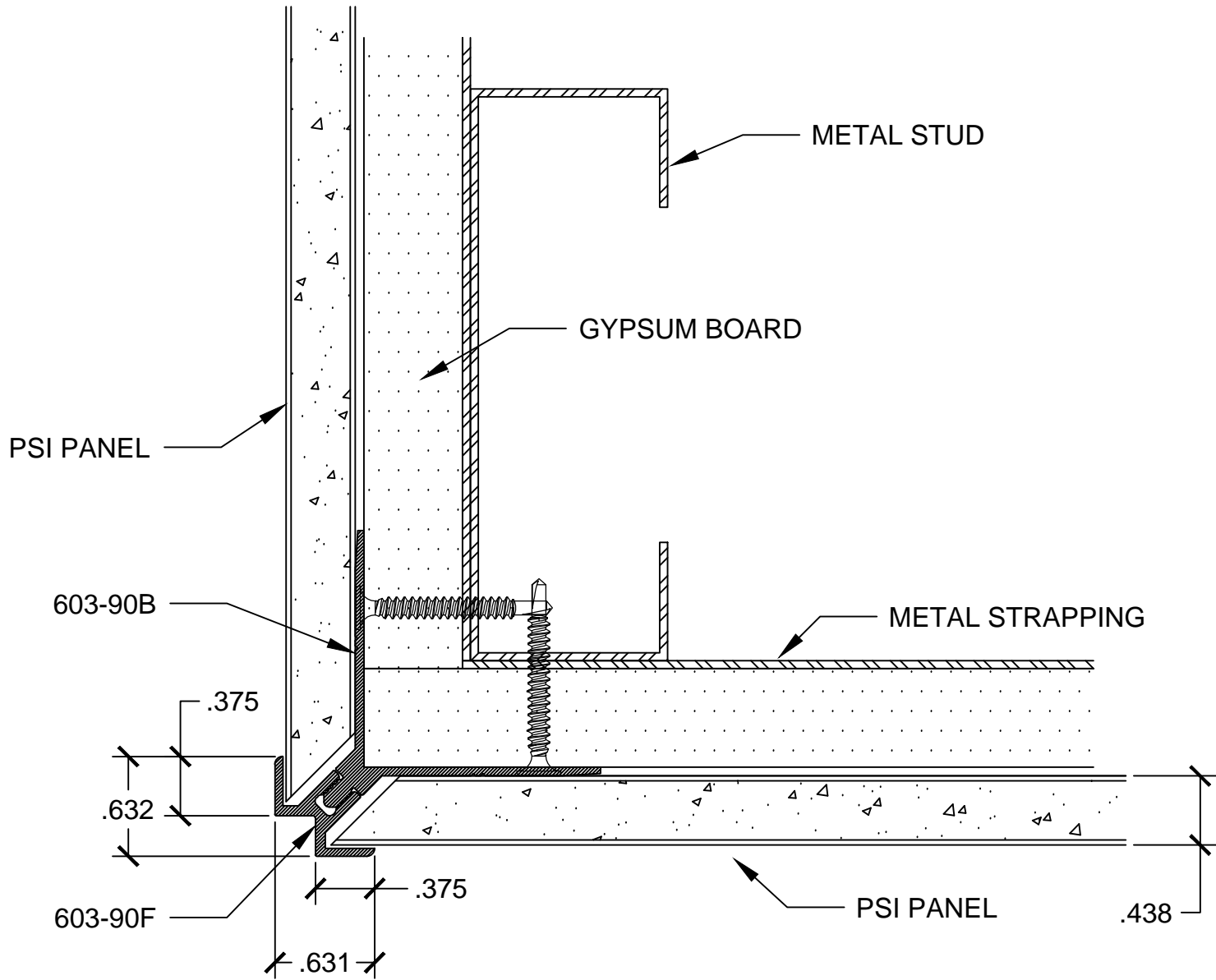






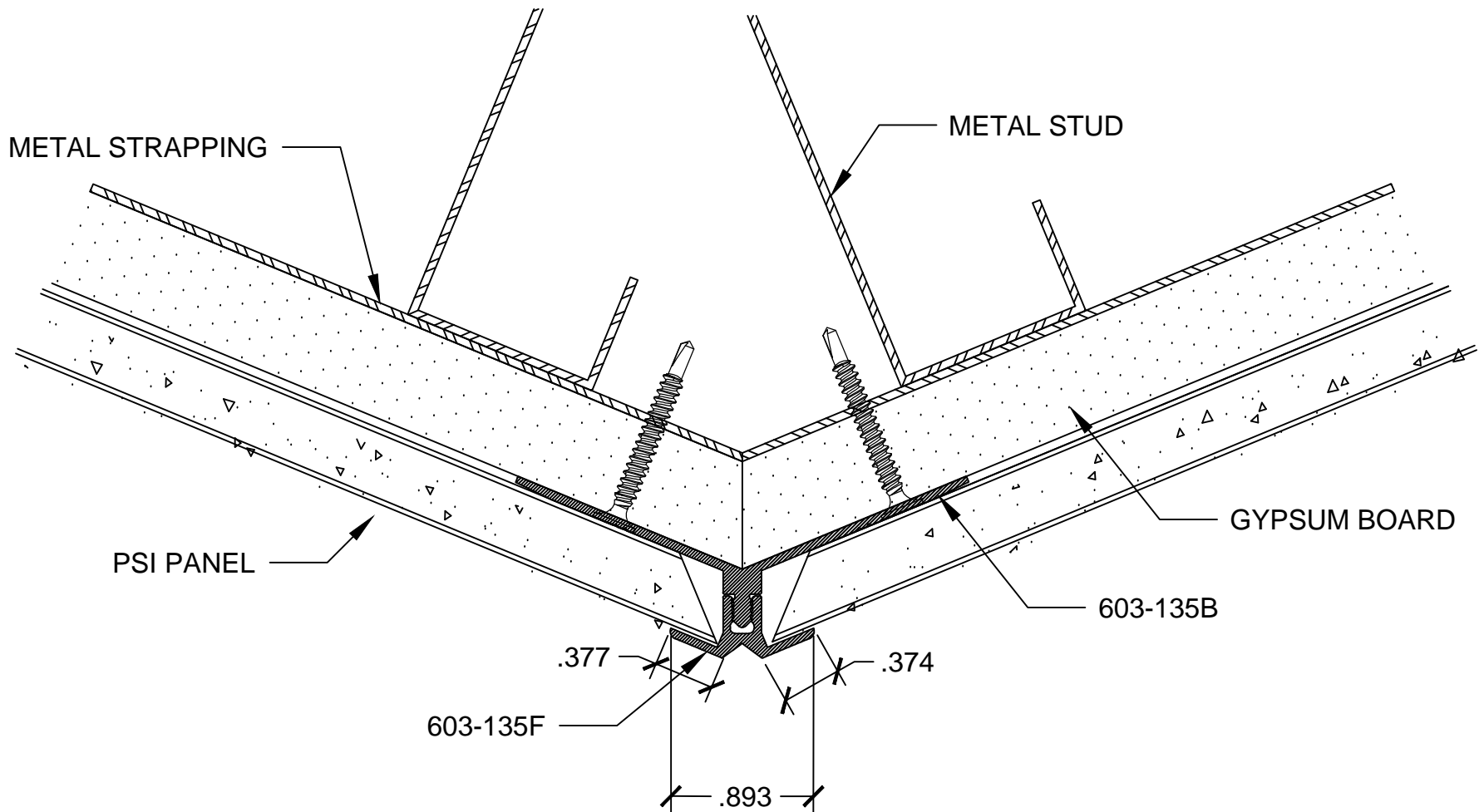






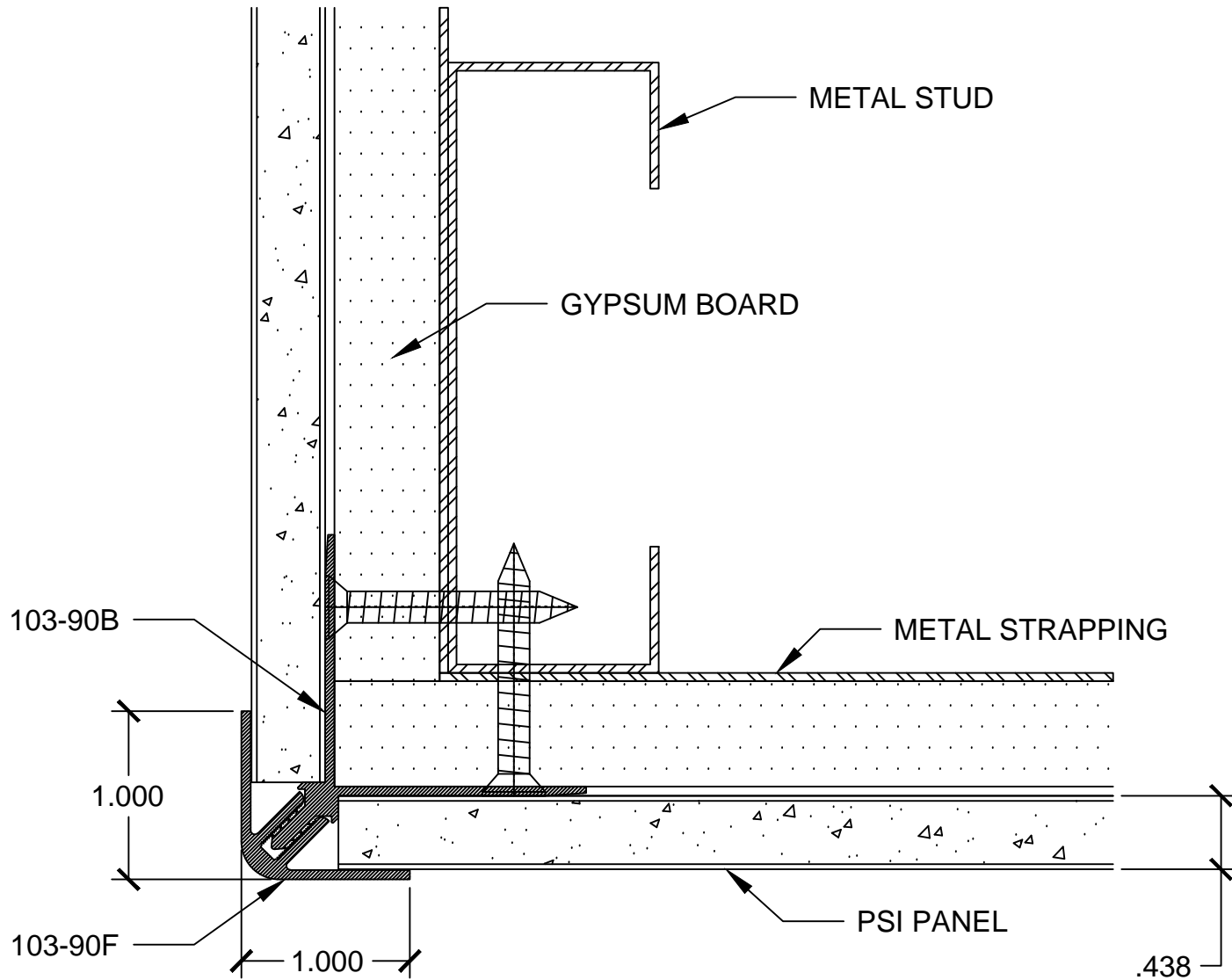
#603 90° OUTSIDE CORNER TRIM

TOP VIEW



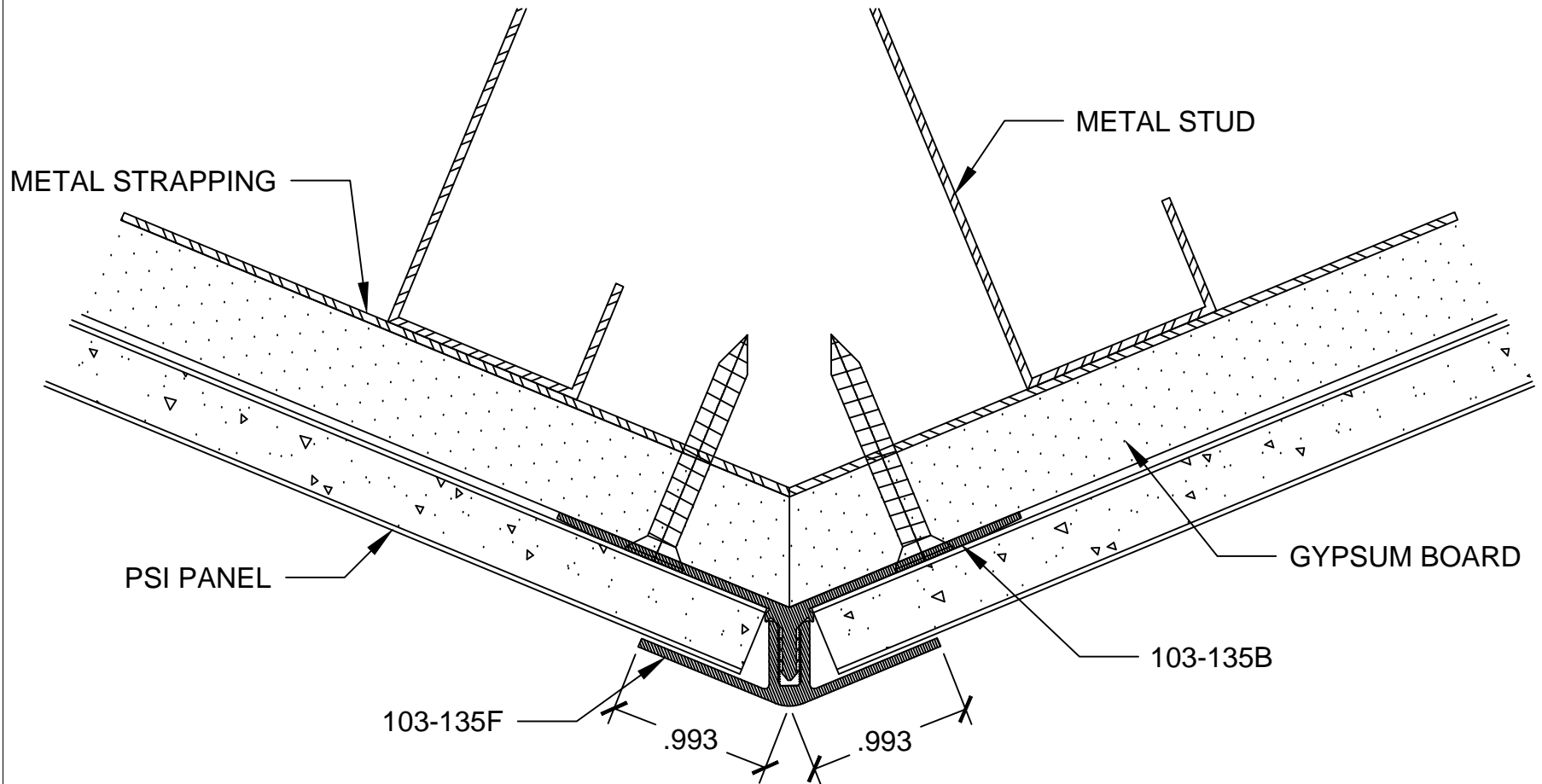
#603 135° OUTSIDE CORNER TRIM

TOP VIEW

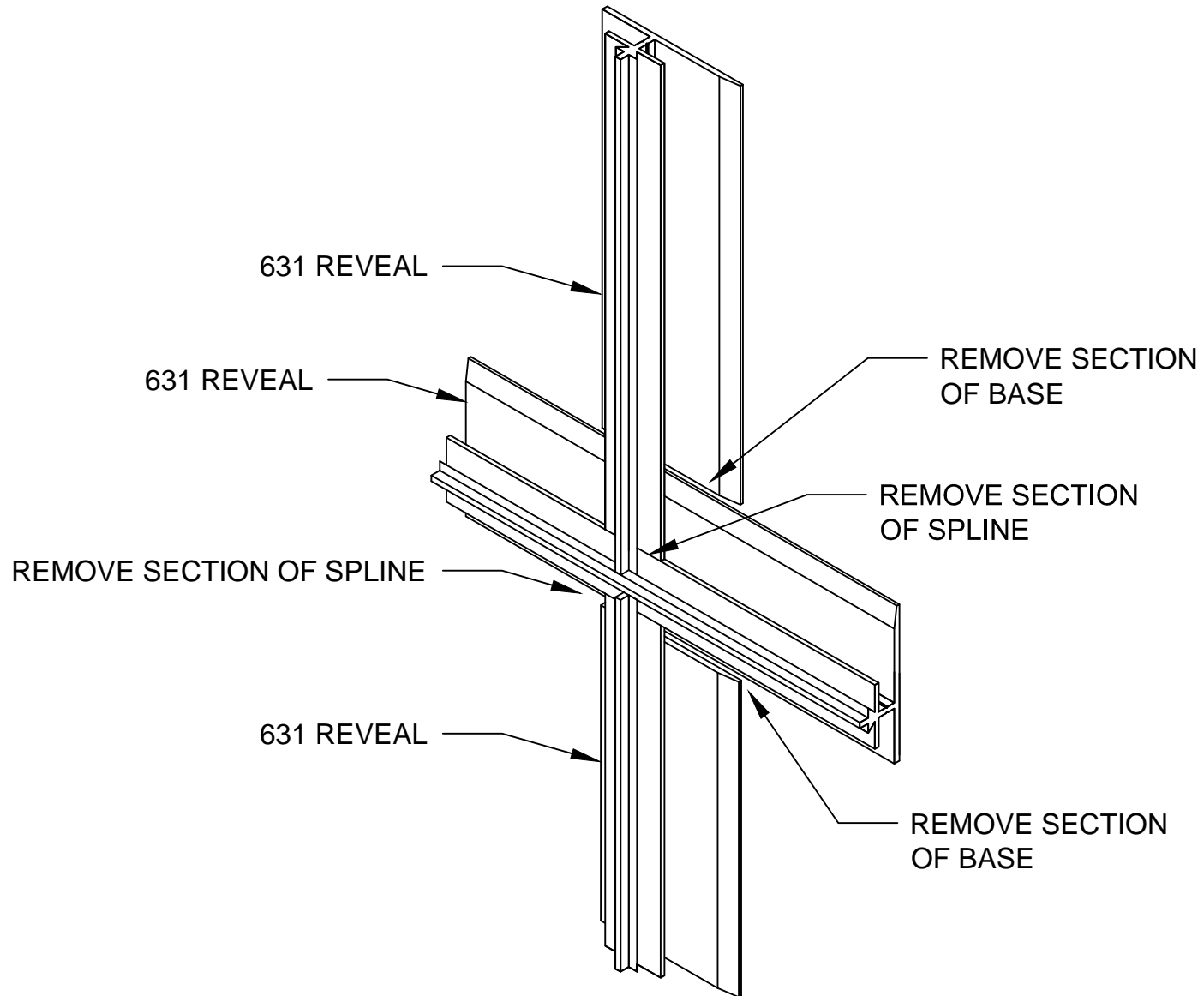


#103-90° OUTSIDE CORNER TRIM

TOP VIEW



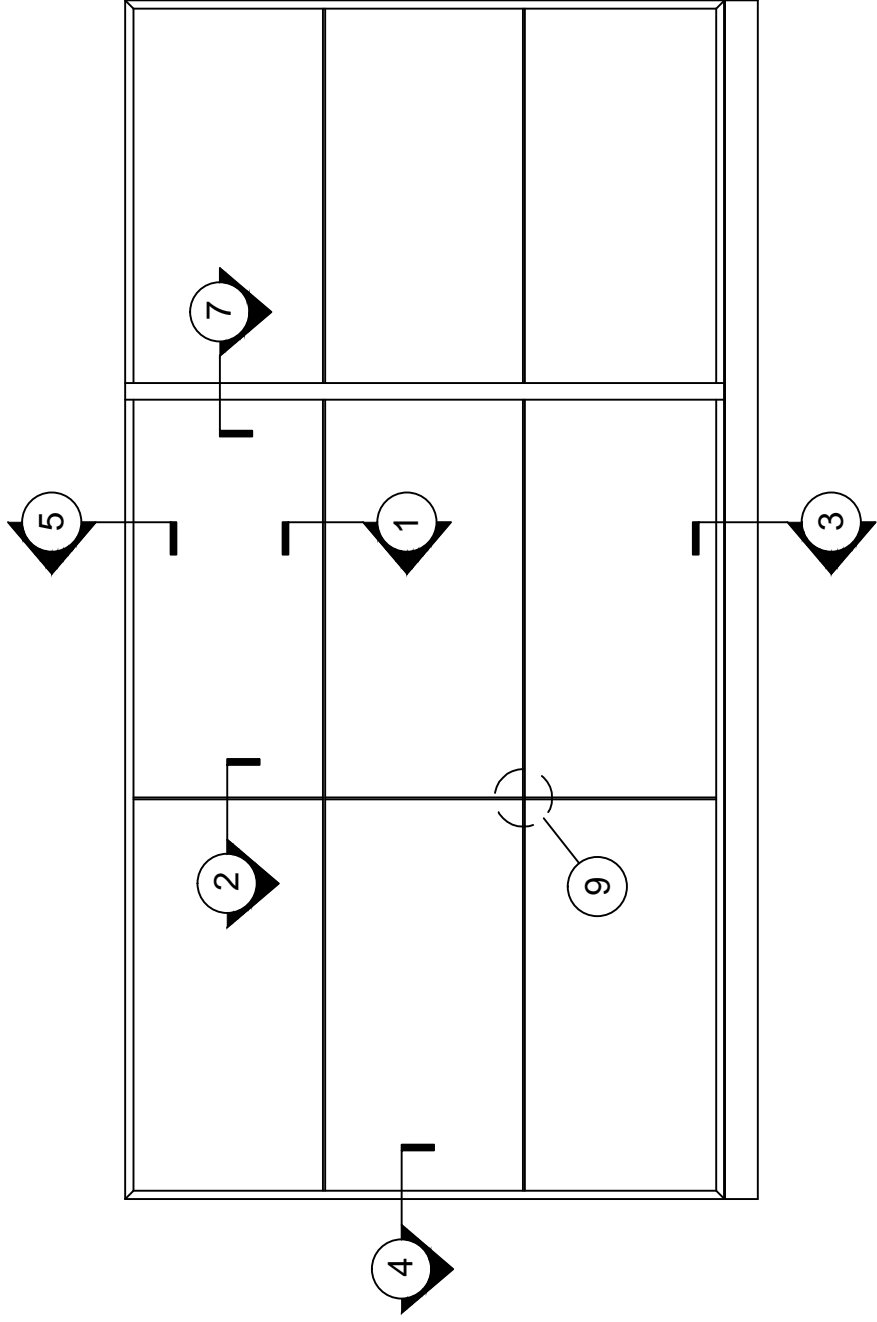




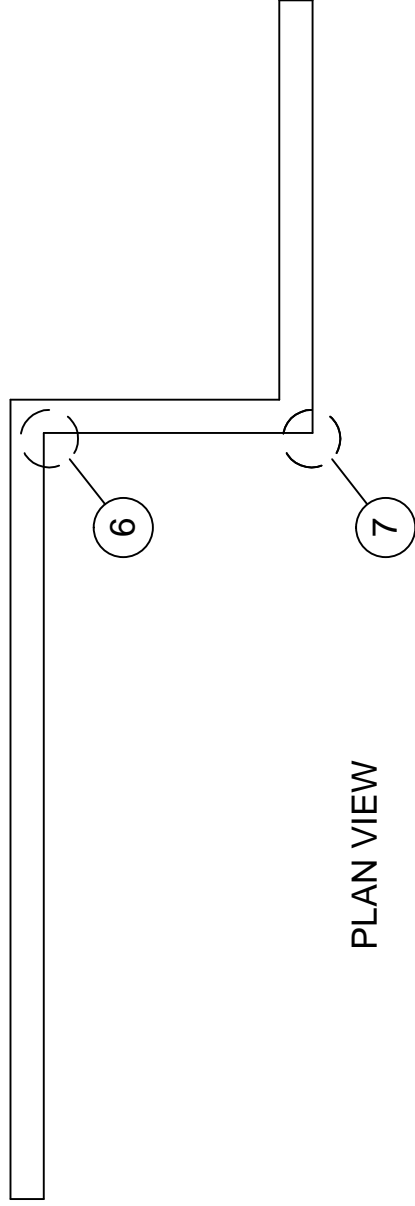
#631 REVEAL INTERSECTION

ISOMETRIC VIEW

PANEL SPECIALISTS INC.  
WALL PANEL SYSTEM 631



ELEVATION VIEW



PLAN VIEW