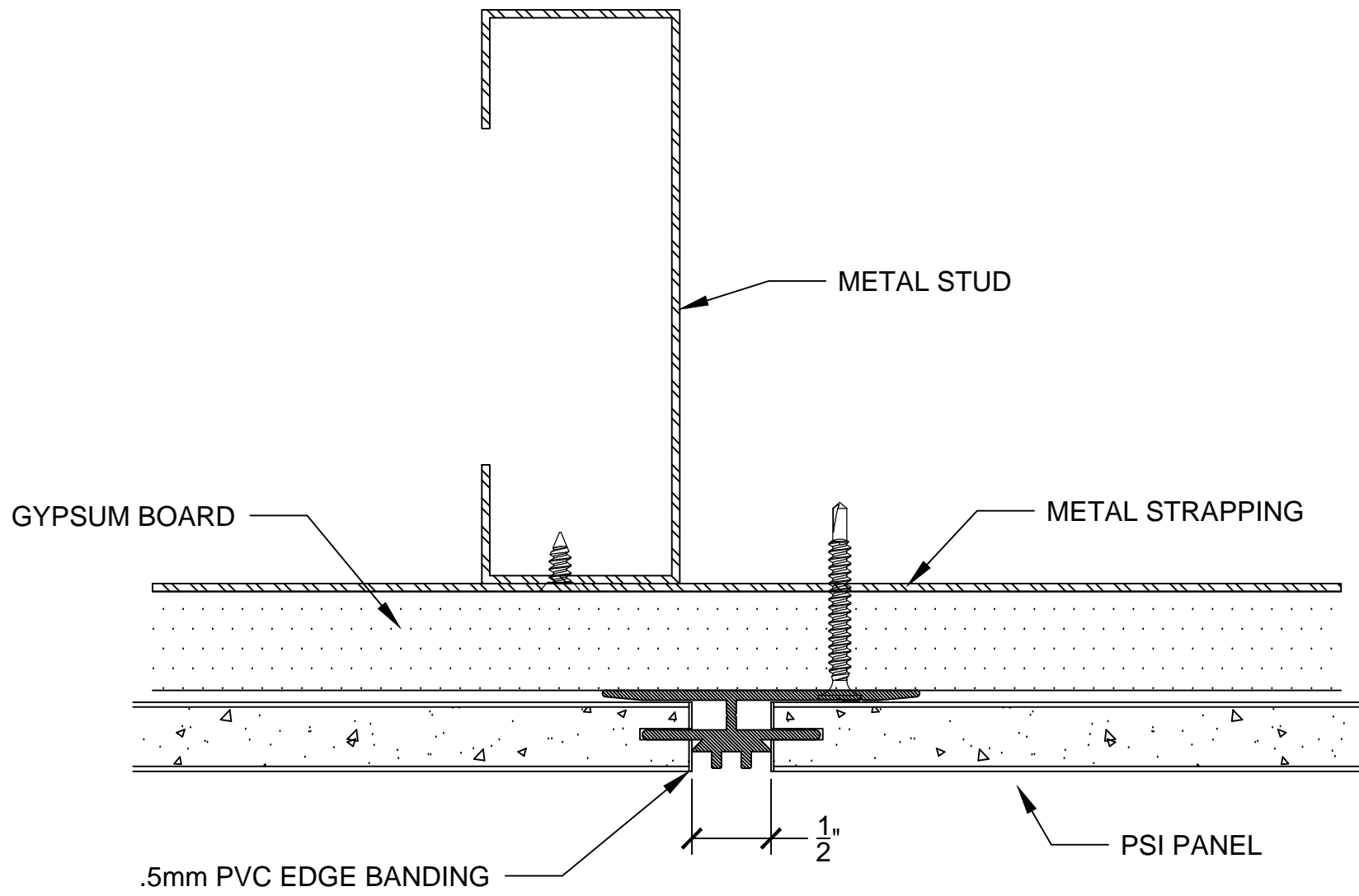


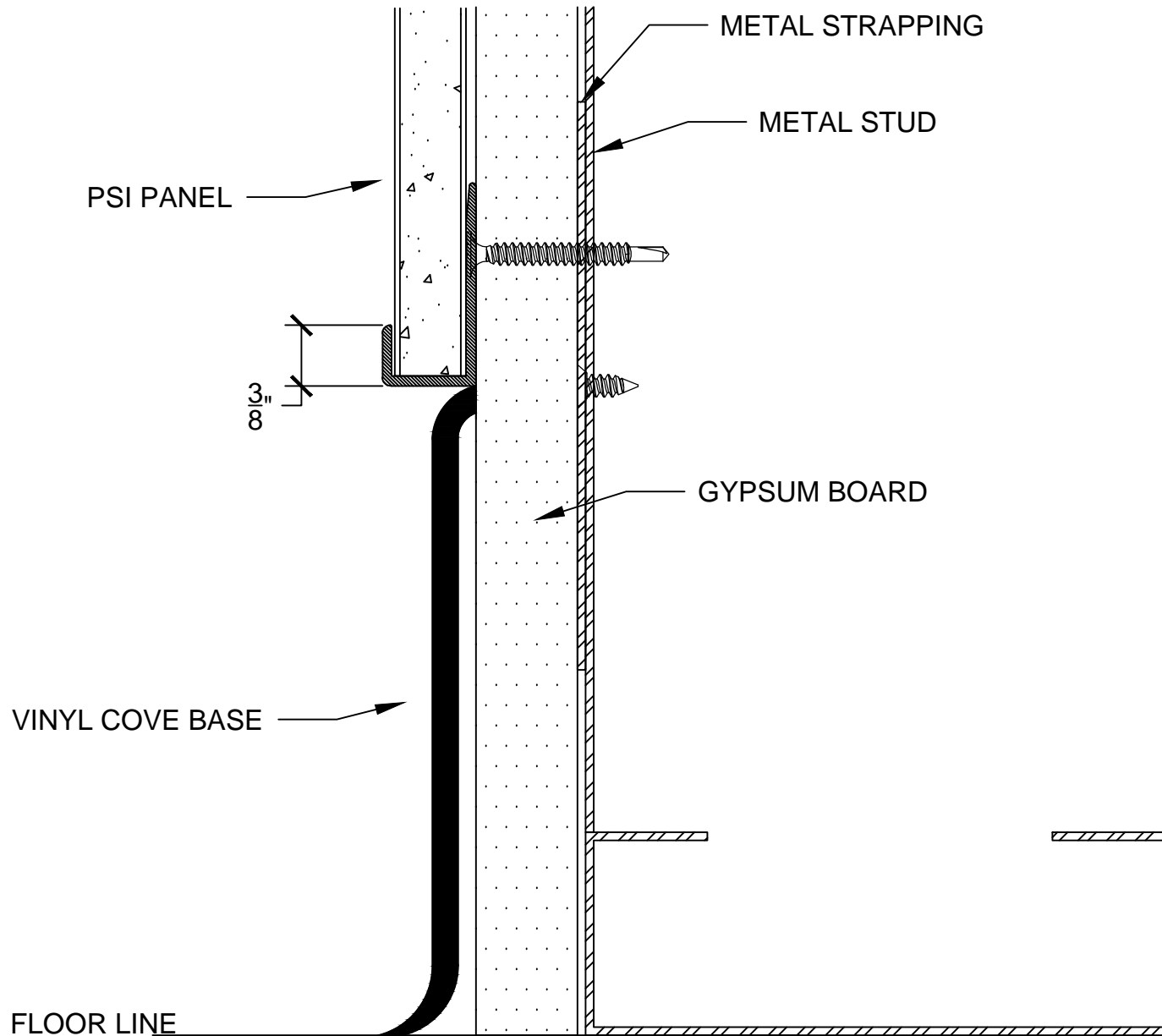
#631 HORIZONTAL REVEAL

RIGHT SIDE VIEW



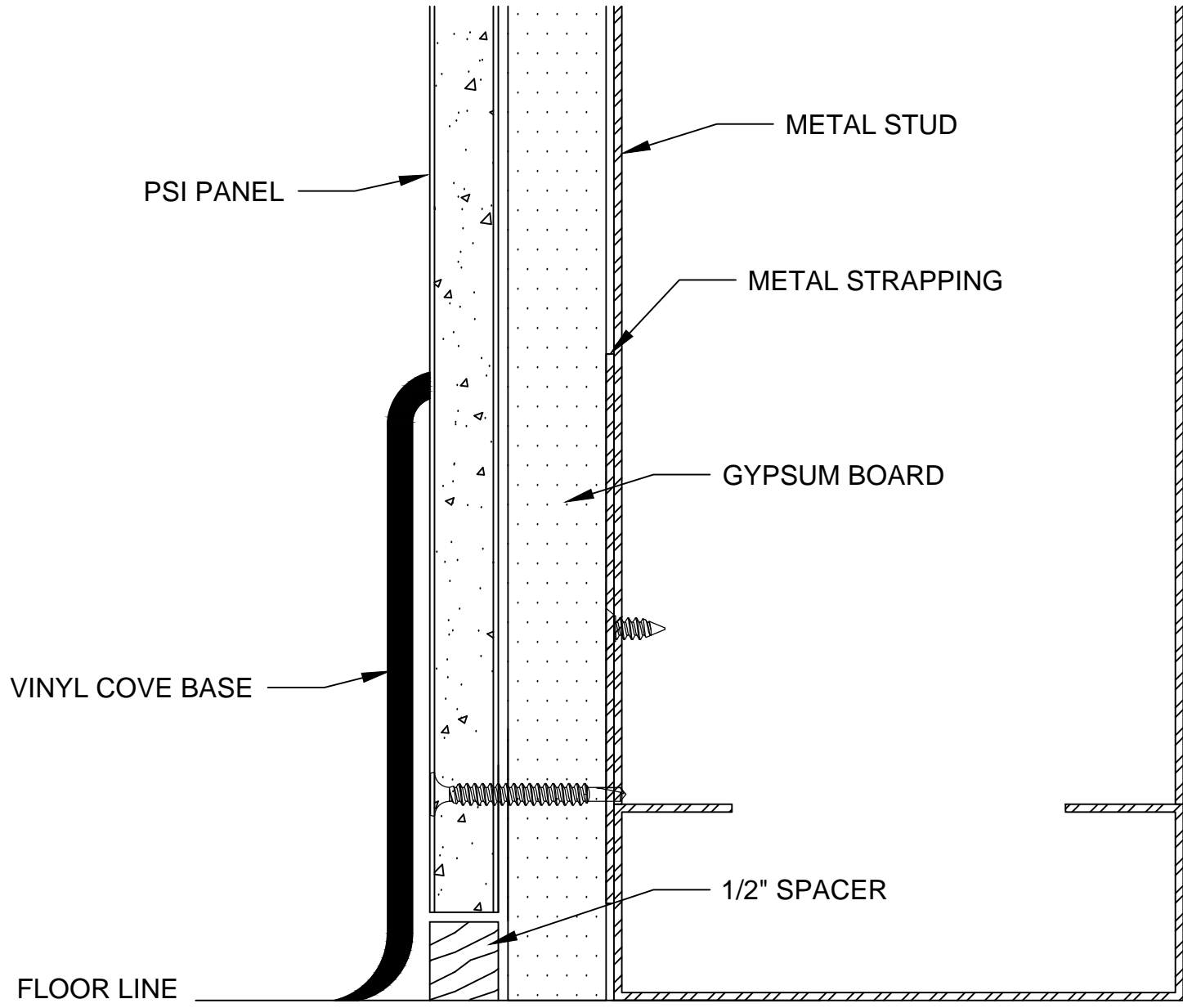
#632 VERTICAL REVEAL

TOP VIEW



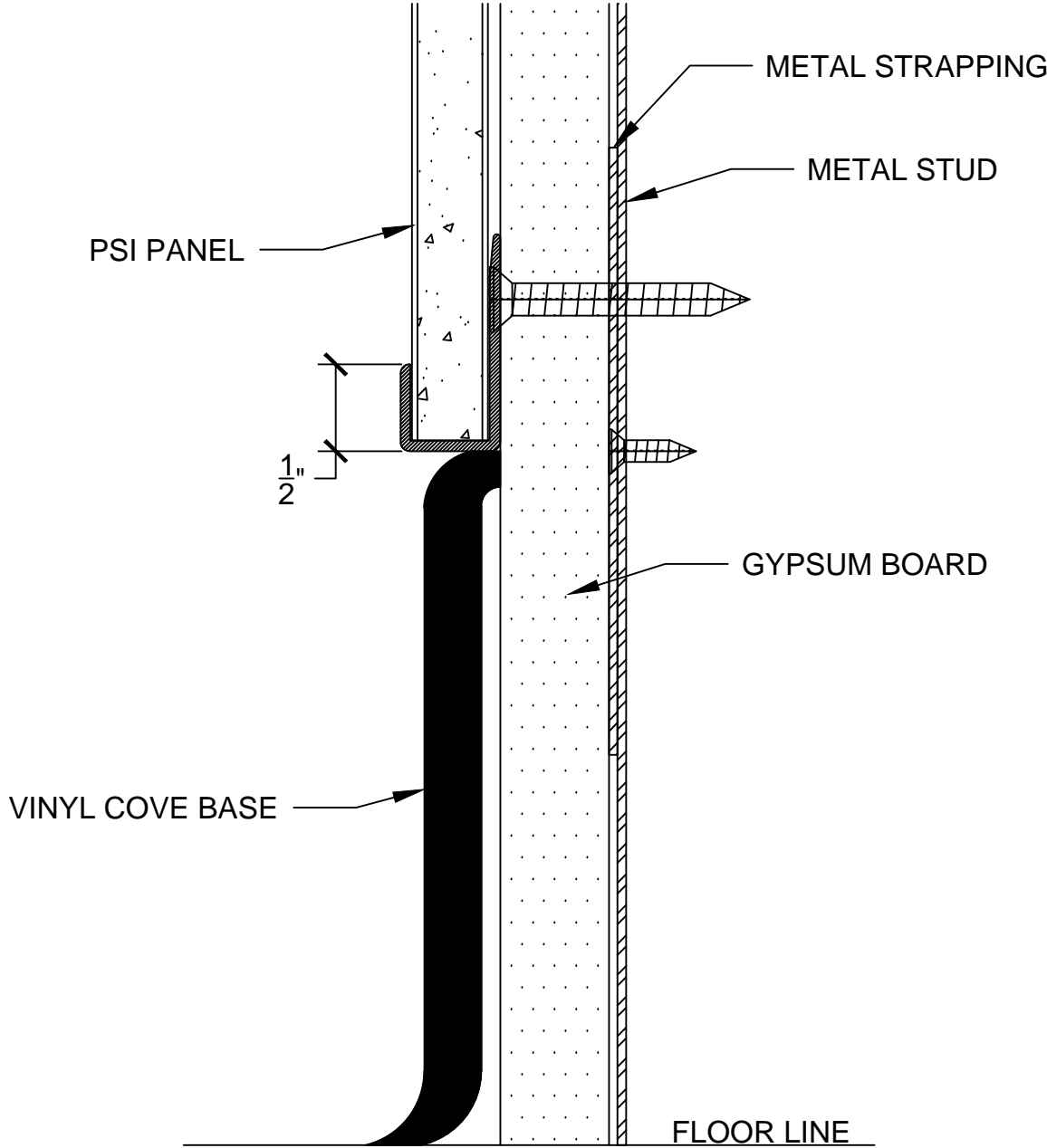
#604 BOTTOM EDGE TRIM - ABOVE BASE

RIGHT SIDE VIEW



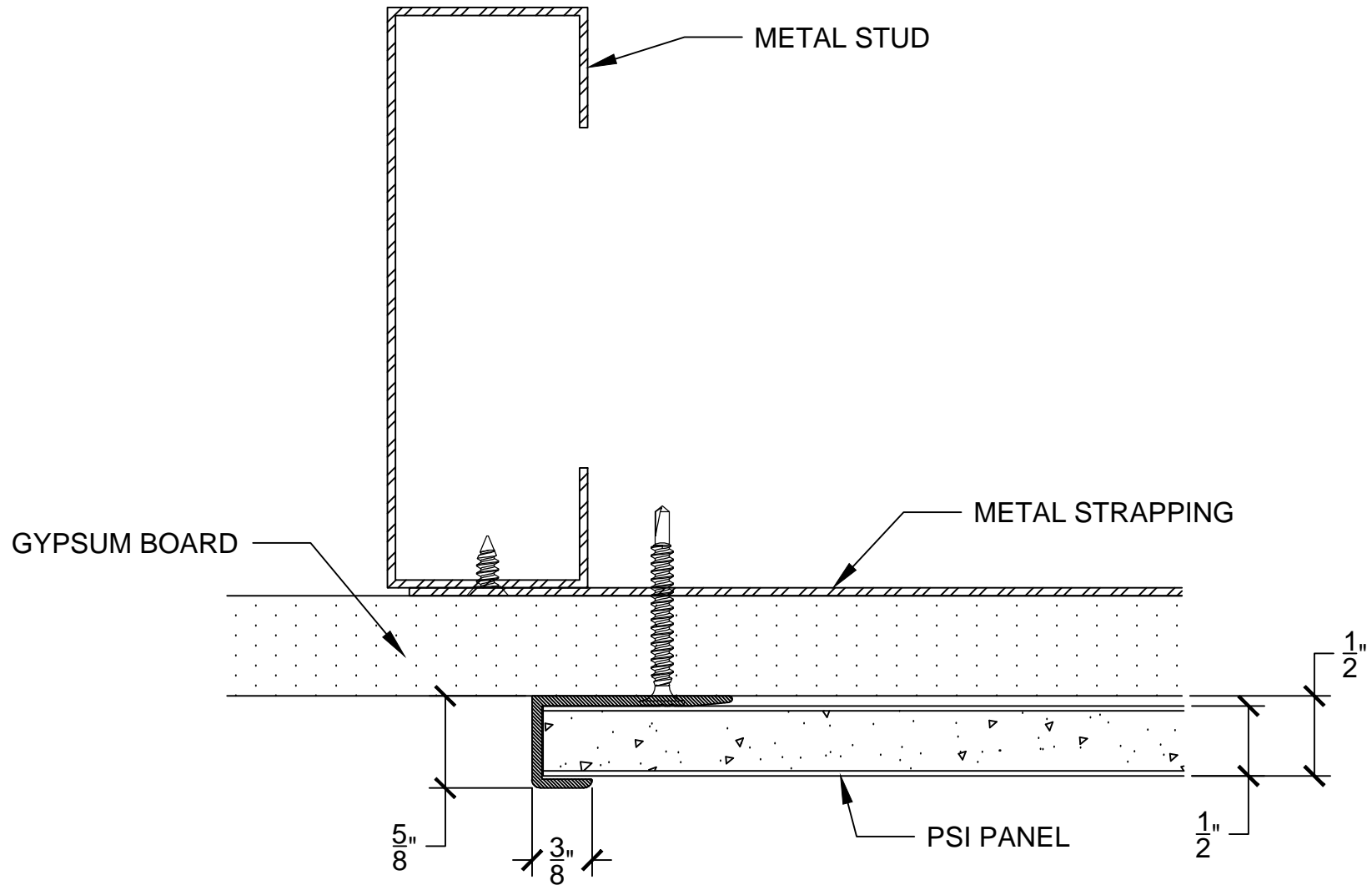
ALTERNATE - BEHIND BASE

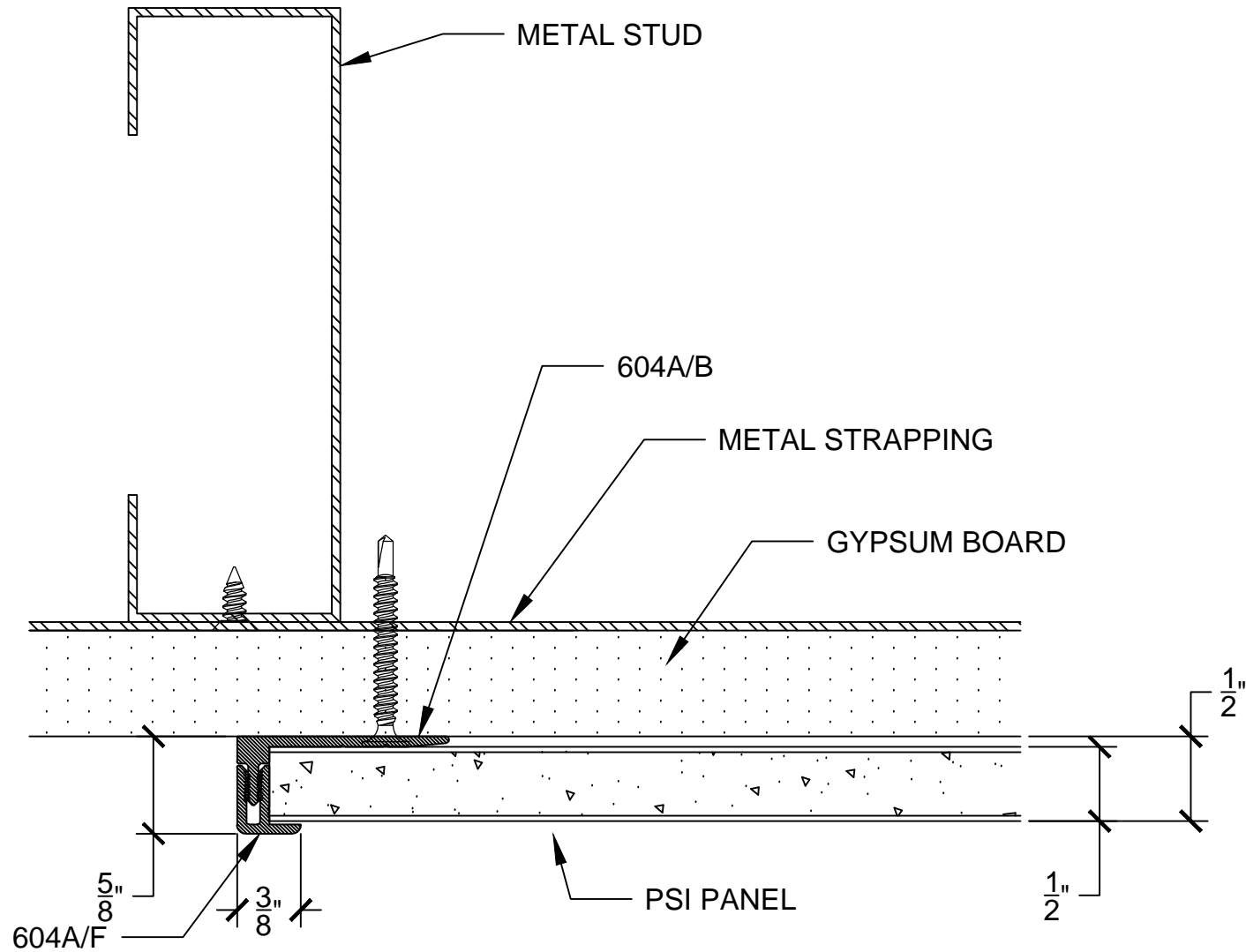
RIGHT SIDE VIEW



#304 BOTTOM EDGE TRIM - ABOVE BASE

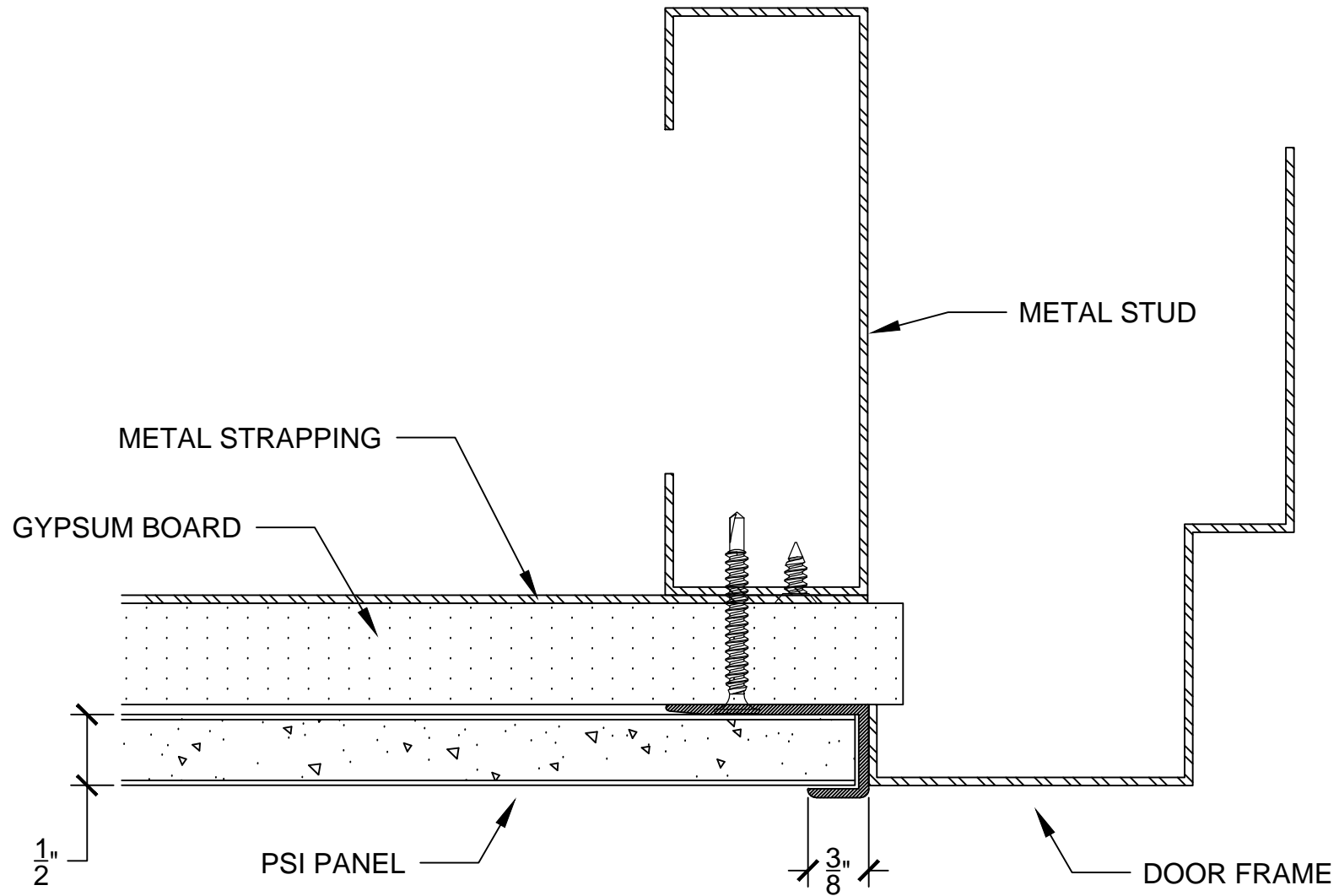
RIGHT SIDE VIEW

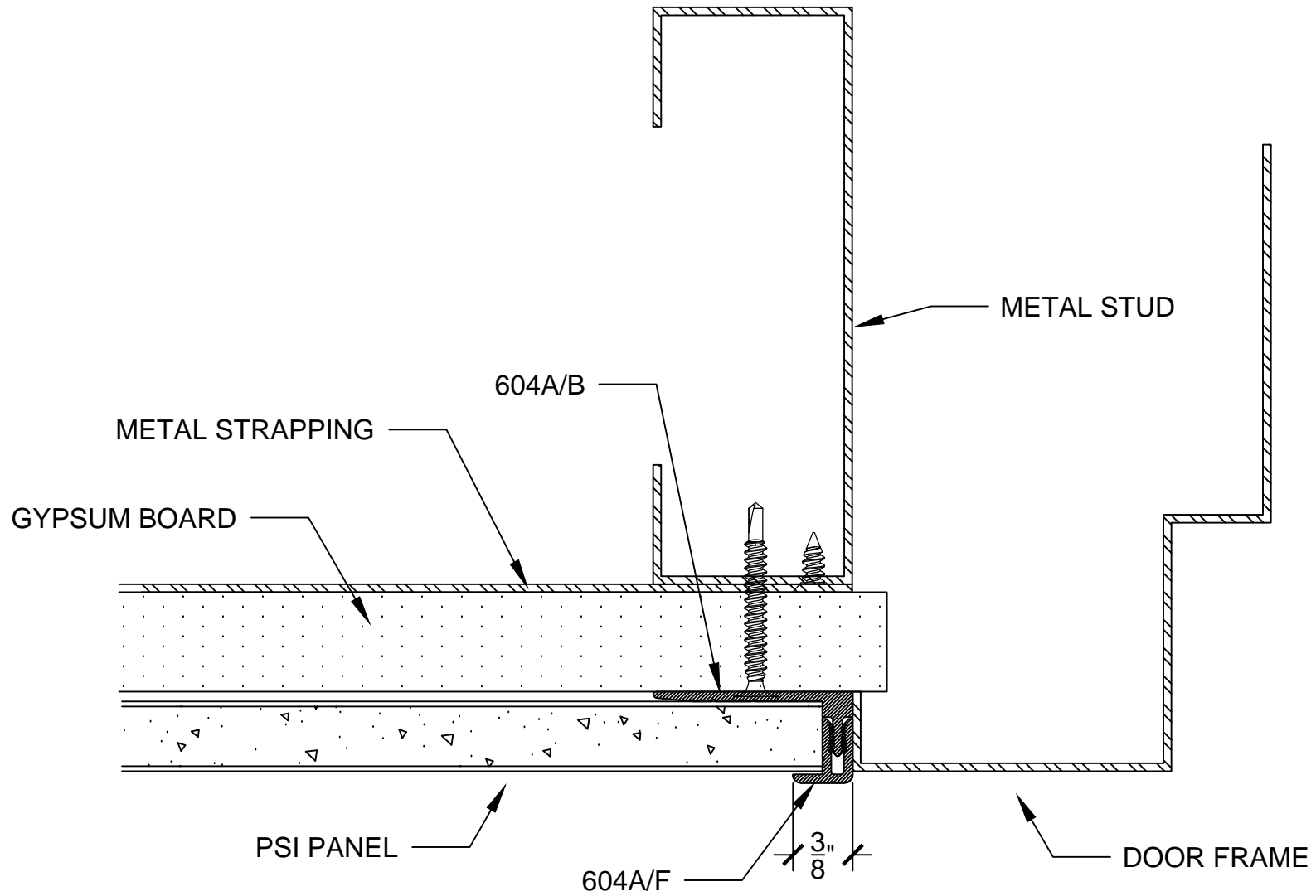




#604A VERTICAL EDGE TRIM

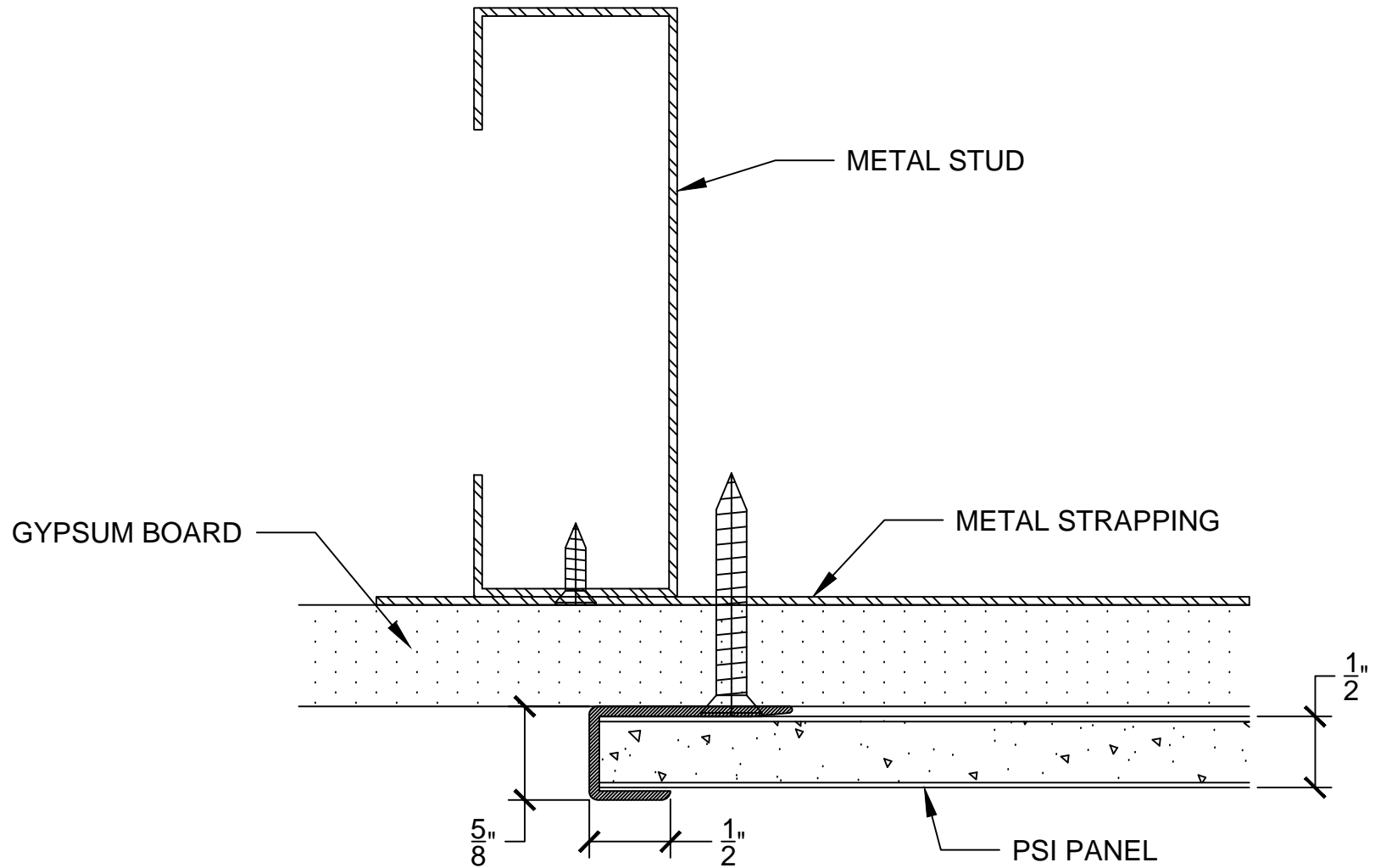
TOP VIEW





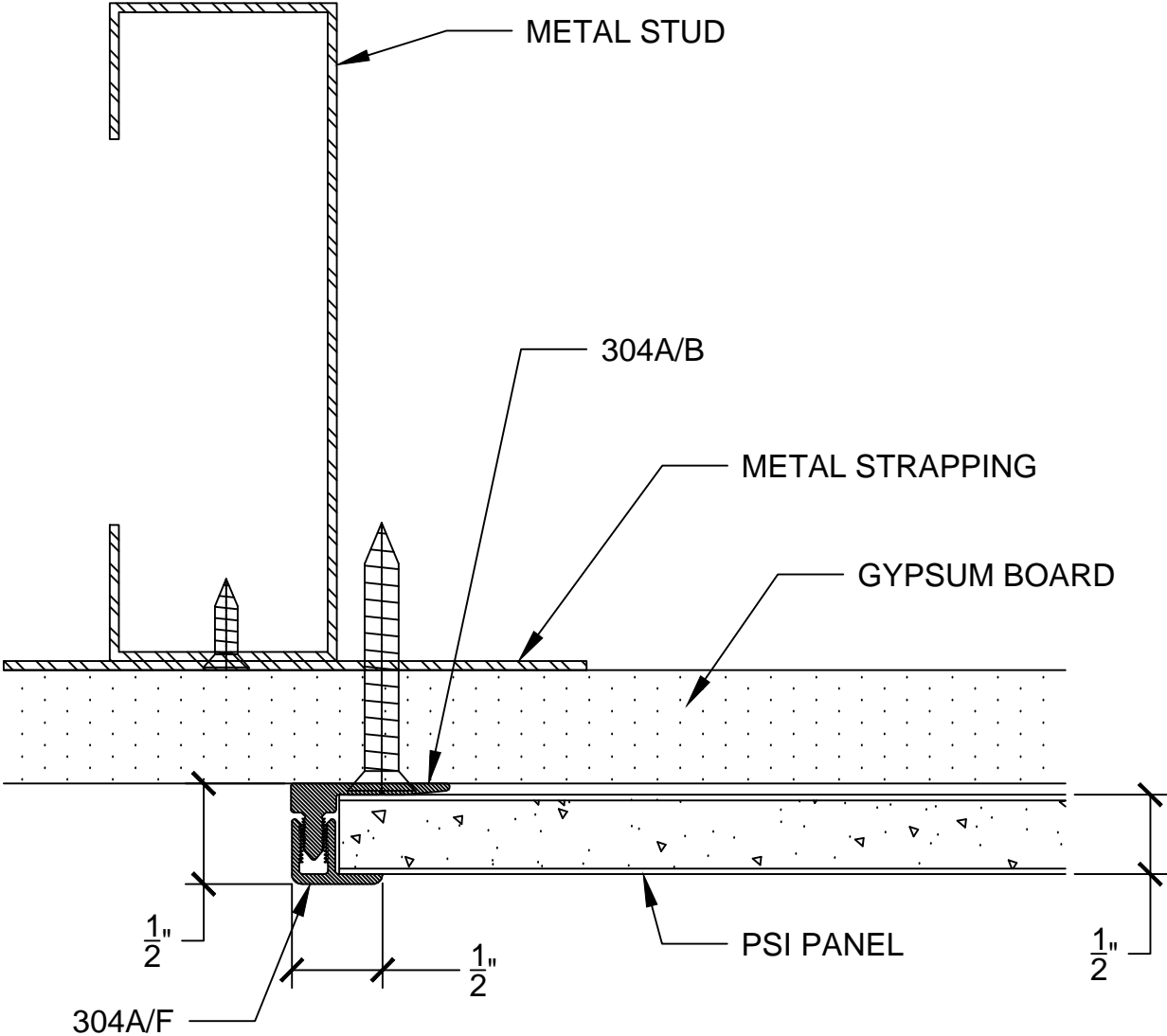
#604A EDGE TRIM @ DOOR OR WINDOW FRAME

TOP VIEW



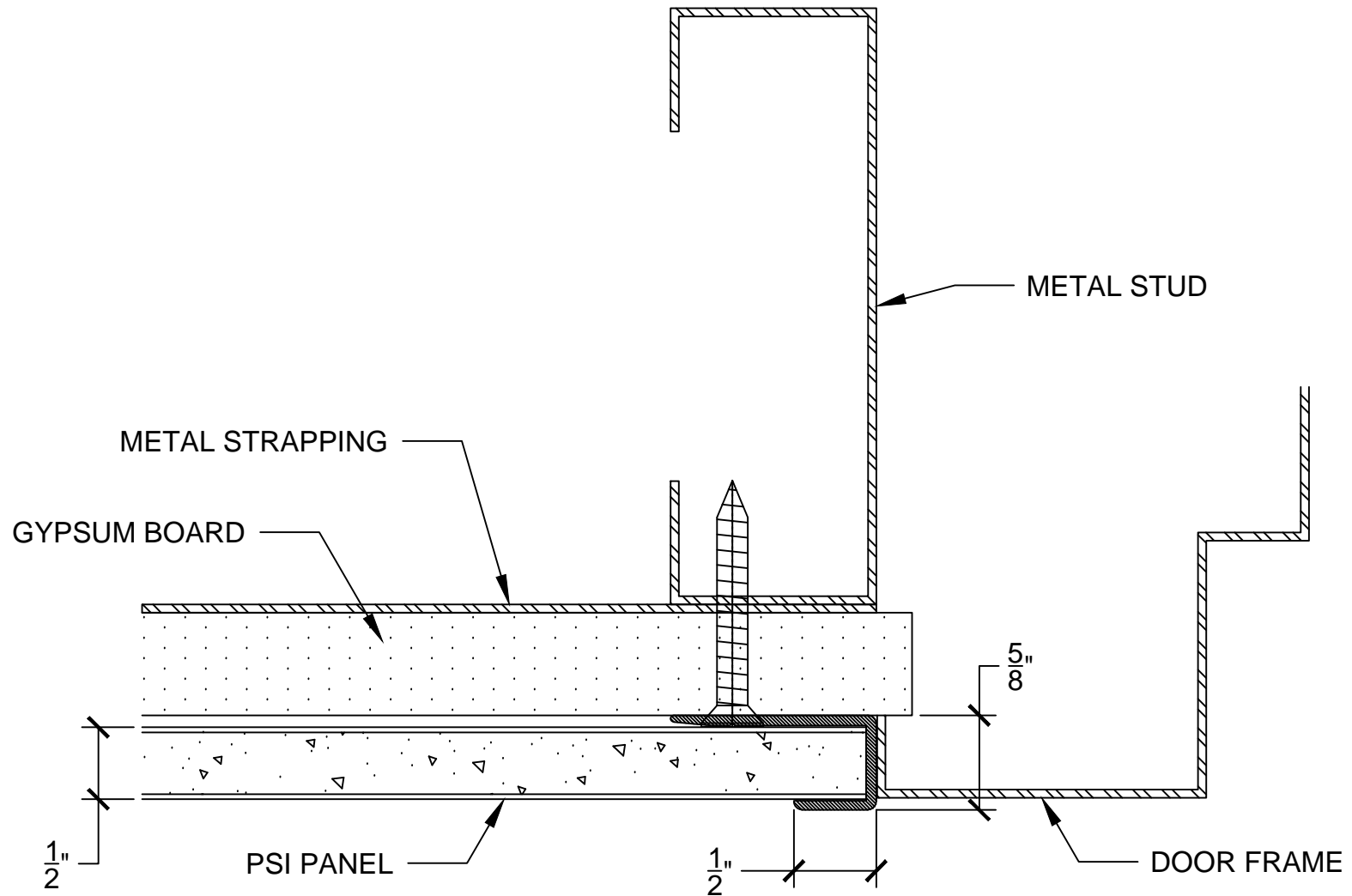
#304 VERTICAL EDGE TRIM

TOP VIEW



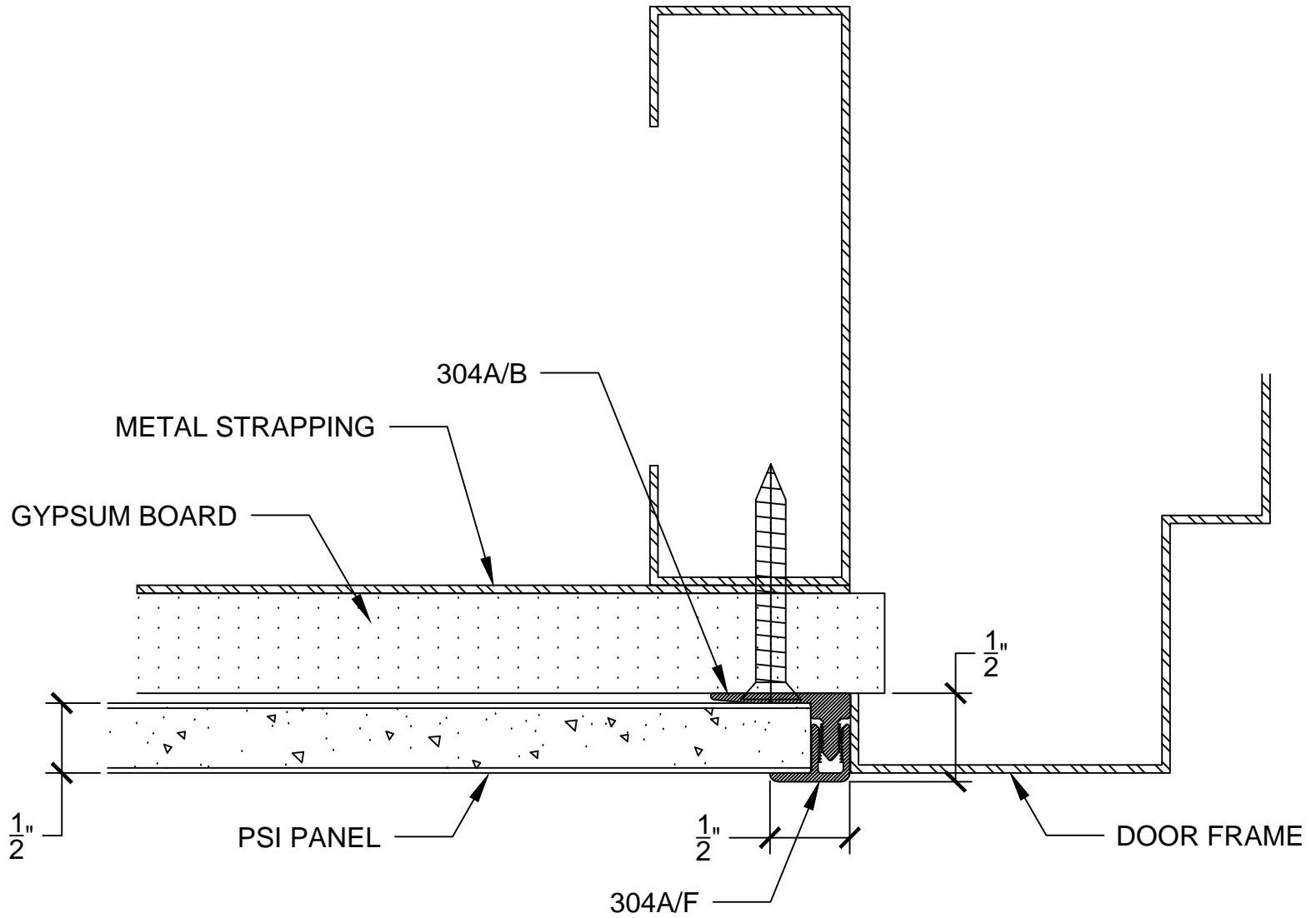
#304A VERTICAL EDGE TRIM

TOP VIEW



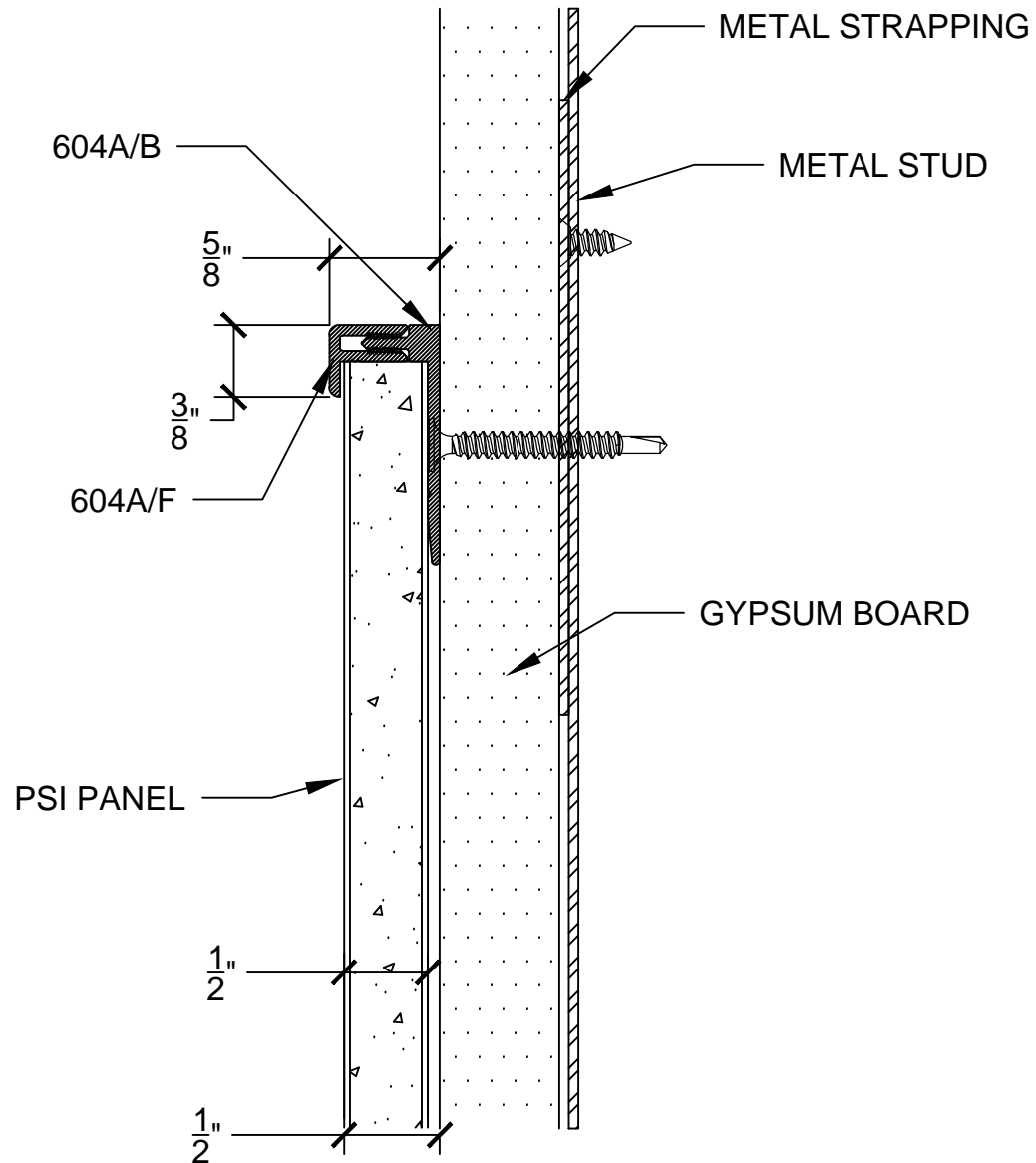
#304 EDGE TRIM @ DOOR OR WINDOW FRAME

TOP VIEW



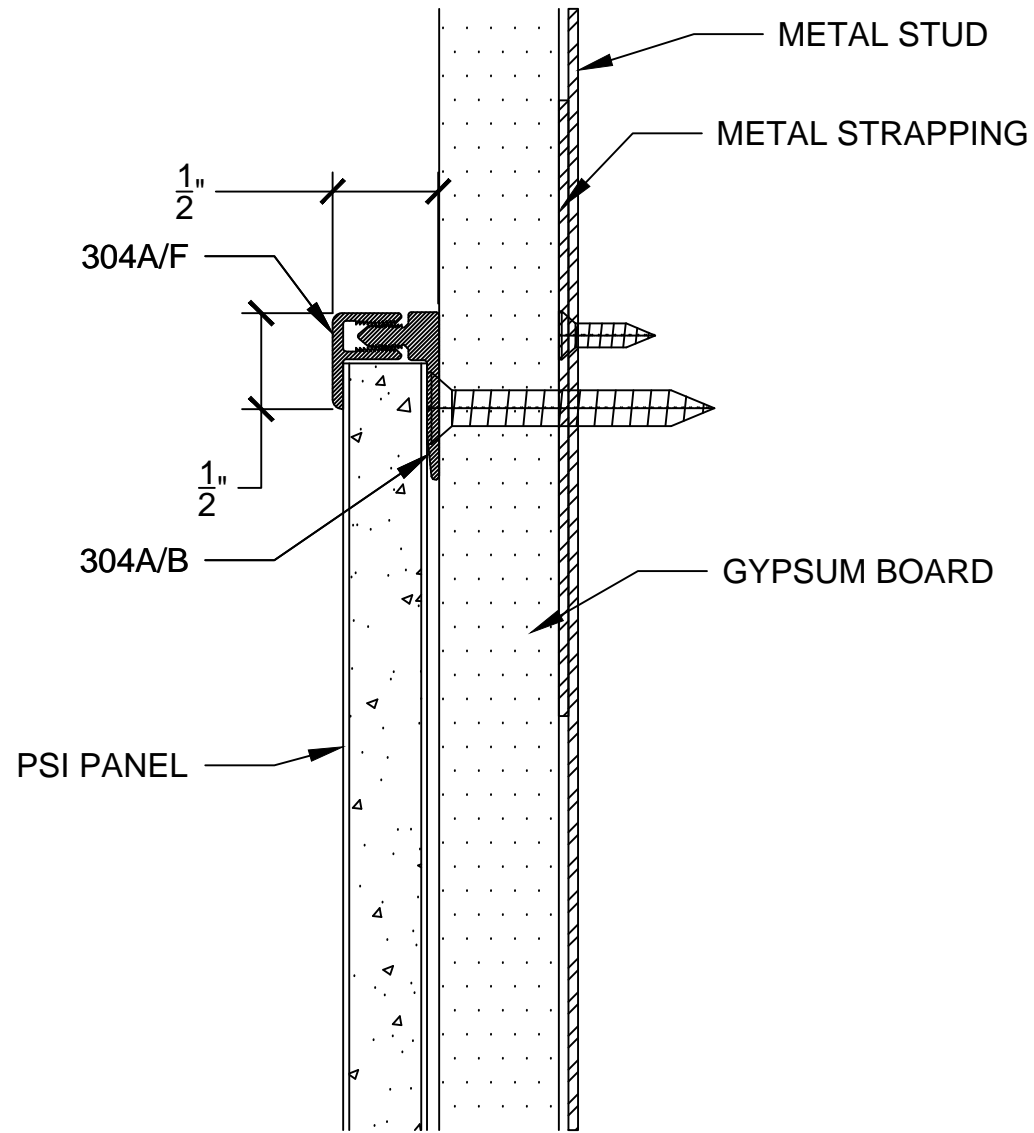
#304A EDGE TRIM @ DOOR OR WINDOW FRAME

TOP VIEW



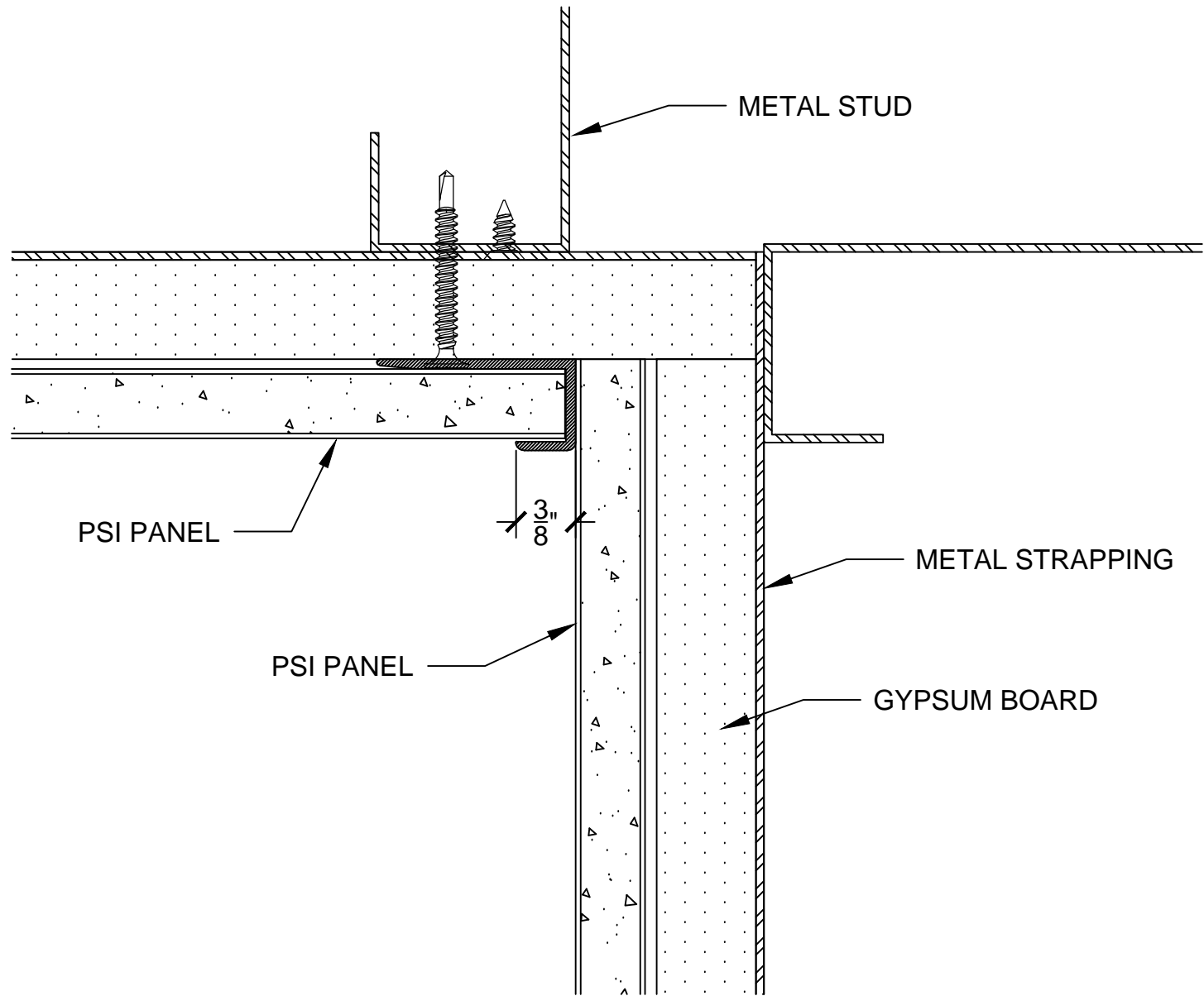
#604A TOP EDGE TRIM

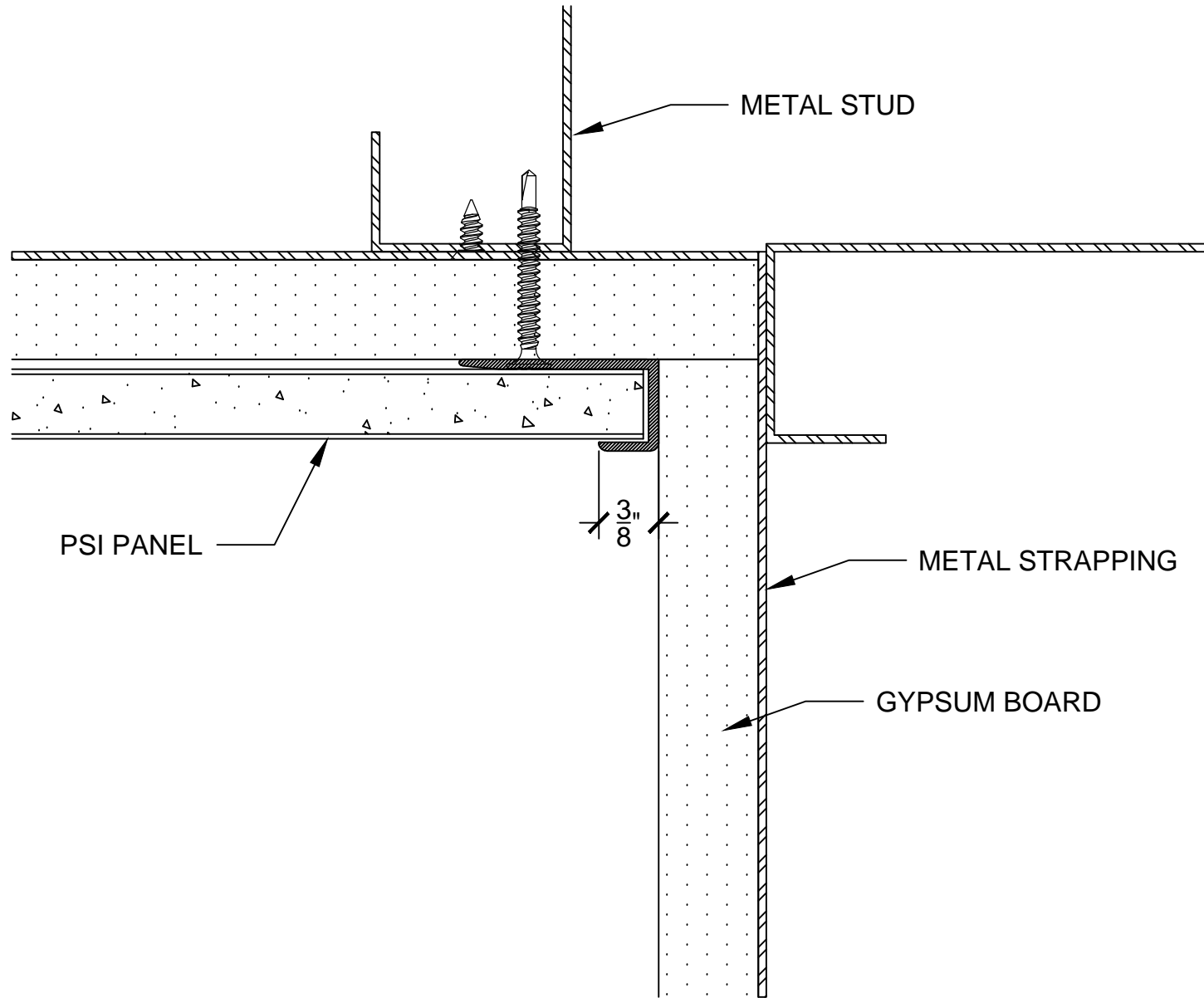
RIGHT SIDE VIEW

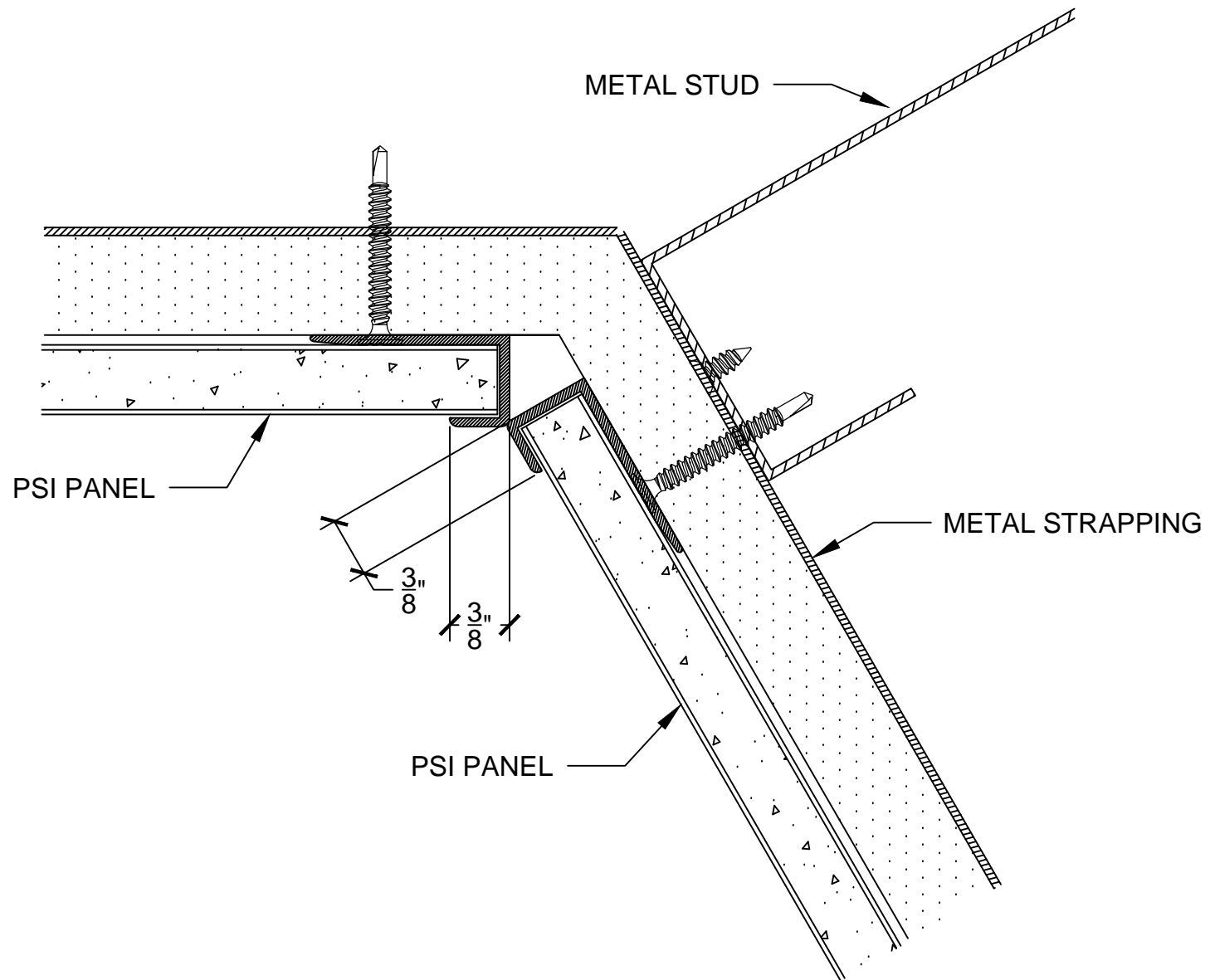


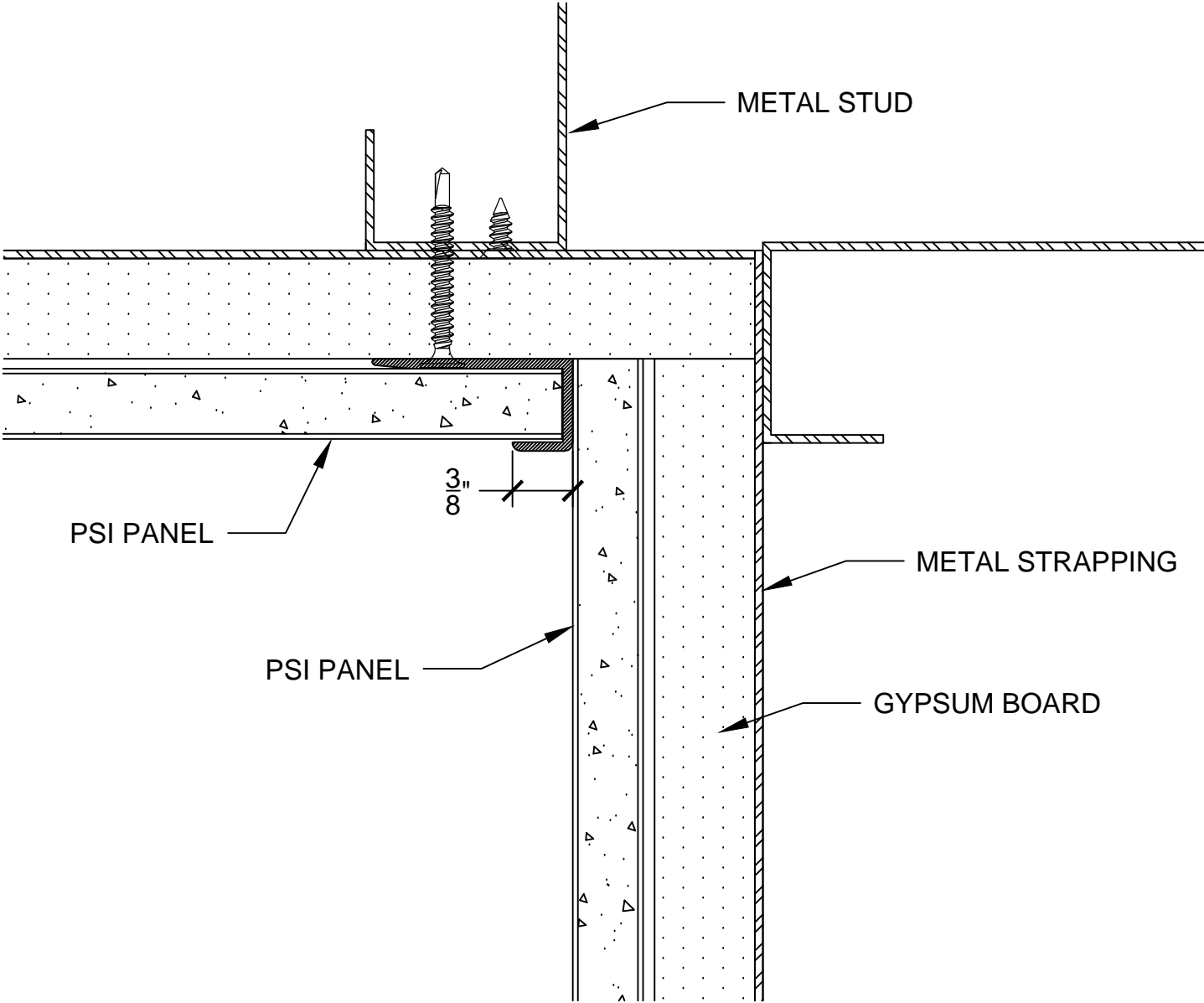
#304A TOP EDGE TRIM

RIGHT SIDE VIEW



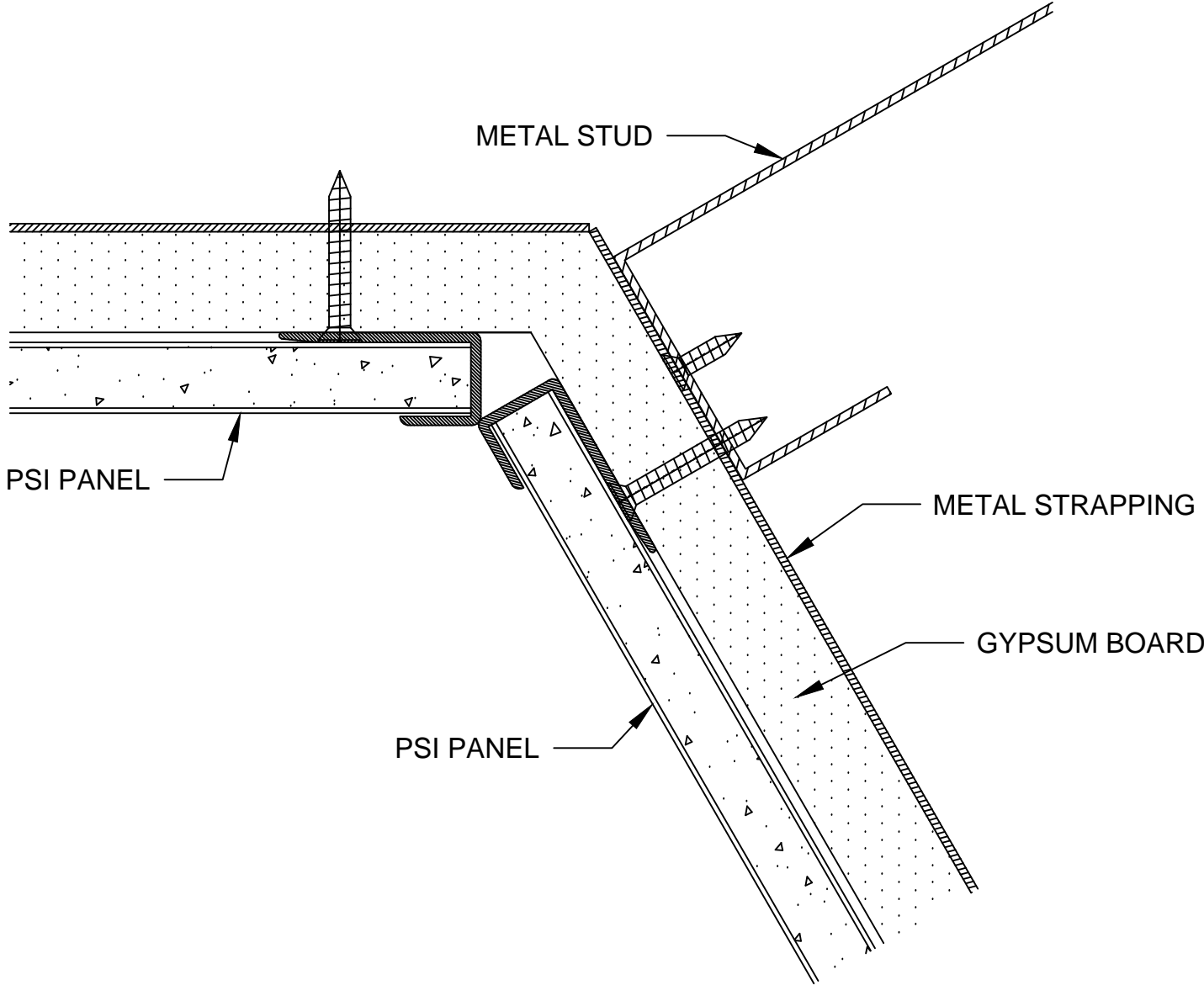






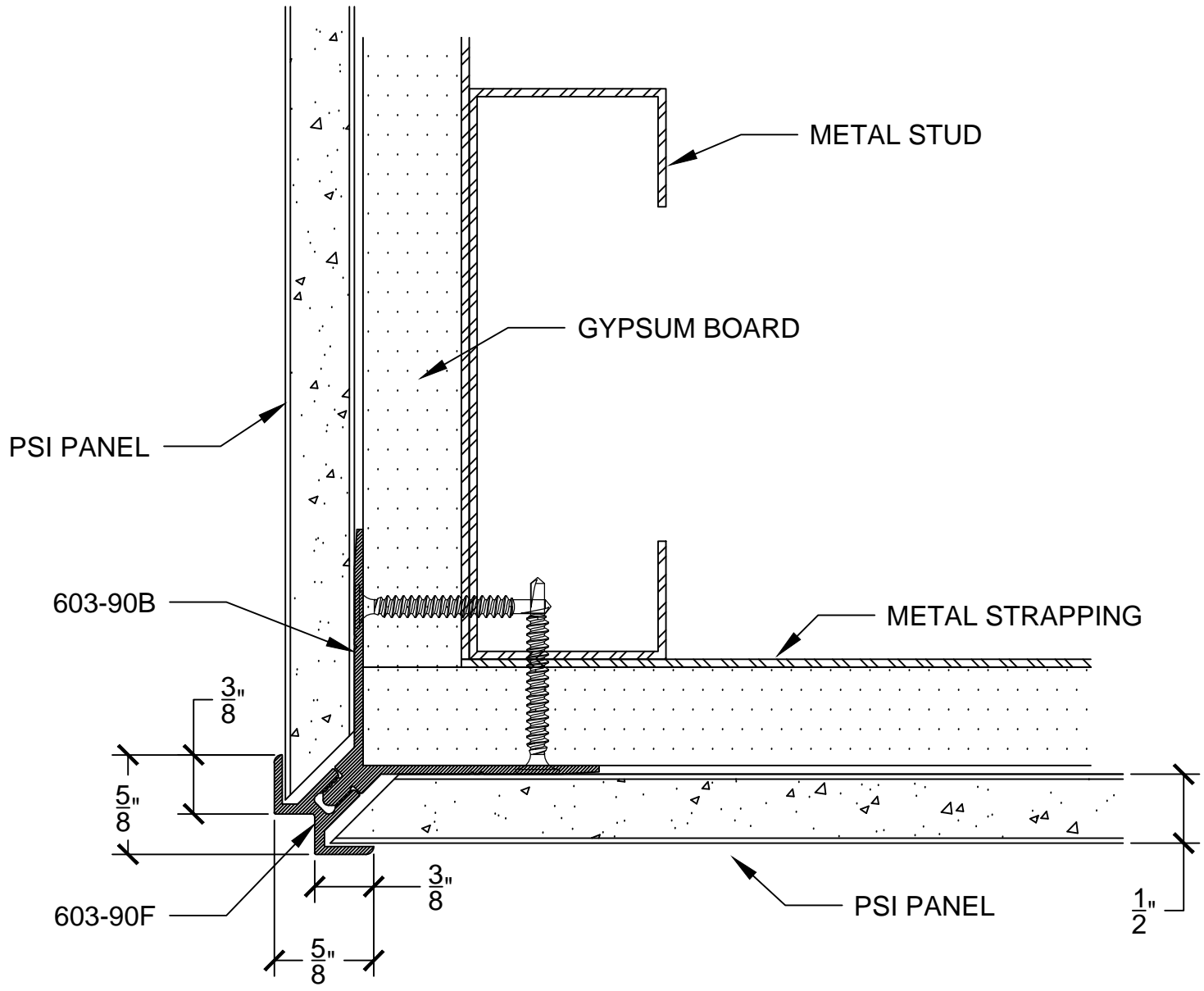
#304 INSIDE CORNER TRIM

TOP VIEW



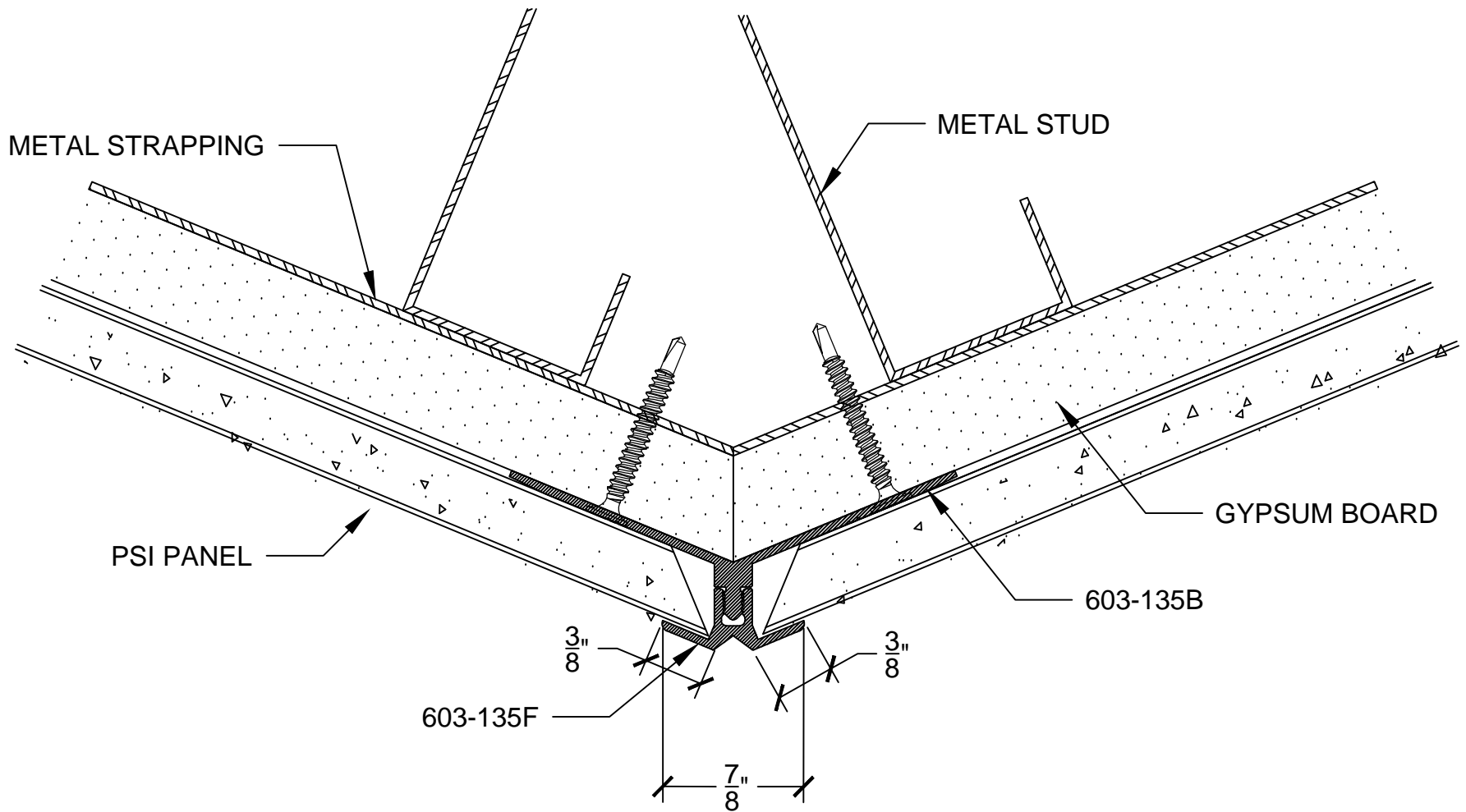
#304 ANGLED INSIDE CORNER TRIM

TOP VIEW



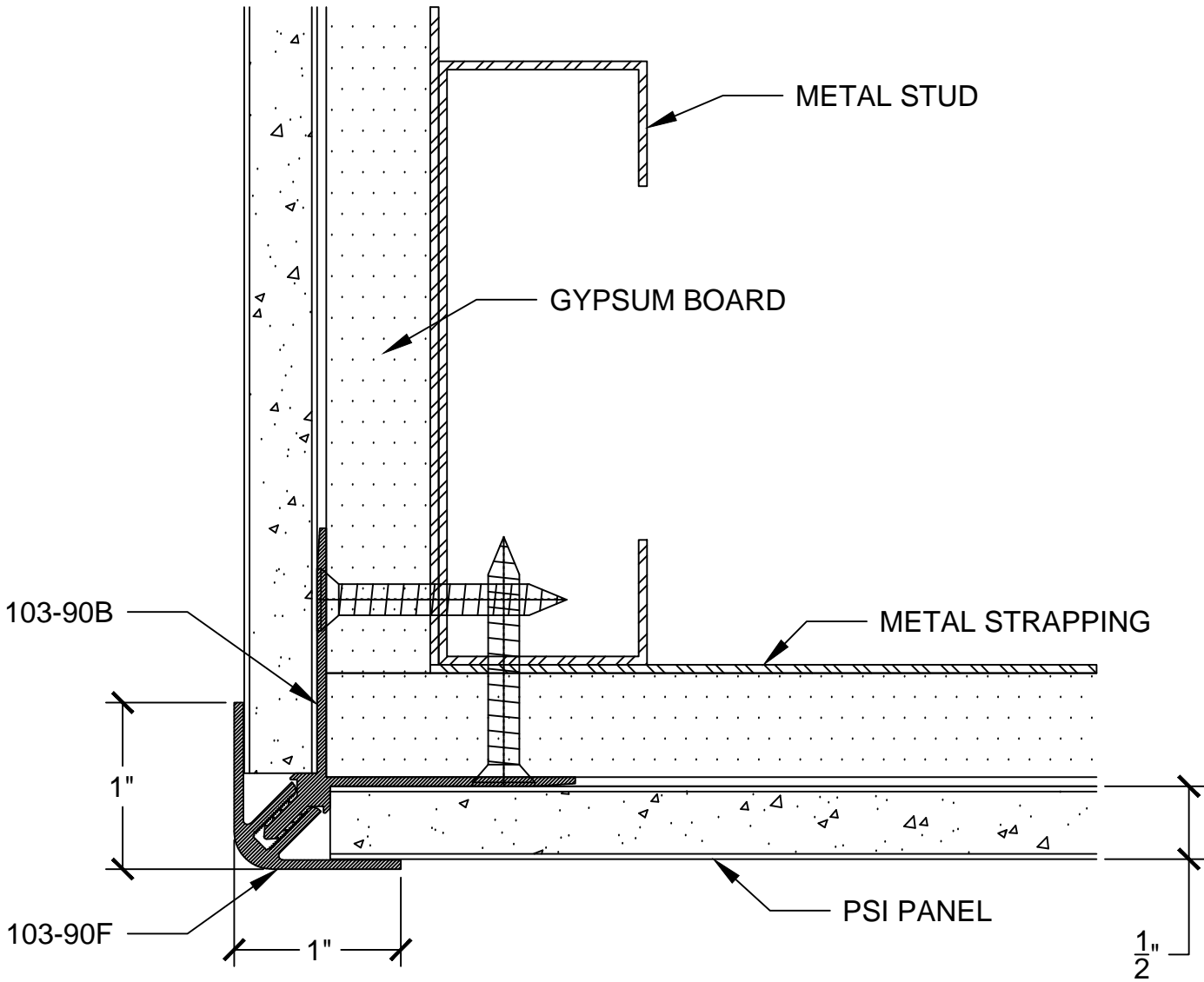
#603 90° OUTSIDE CORNER TRIM

TOP VIEW



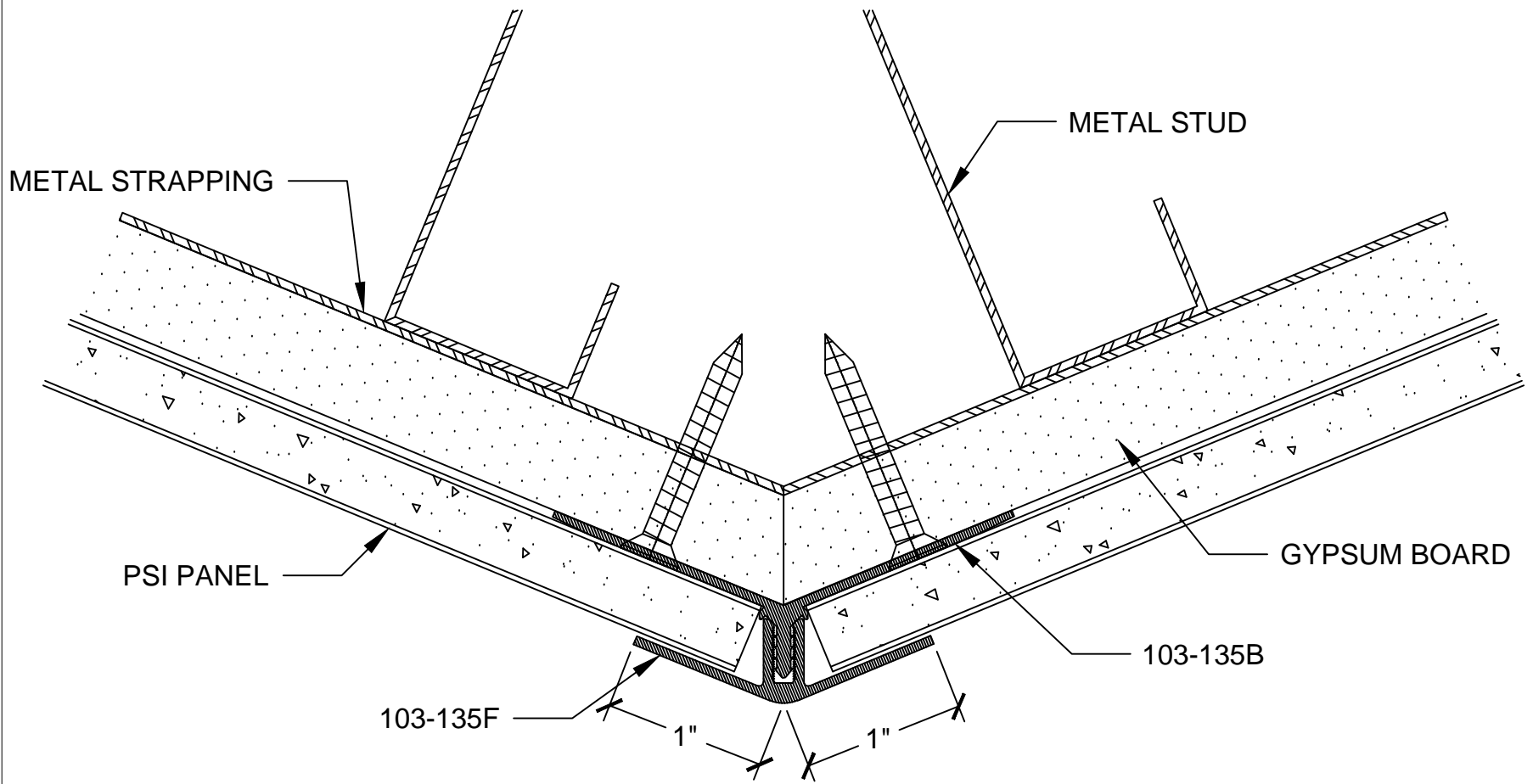
#603 135° OUTSIDE CORNER TRIM

TOP VIEW



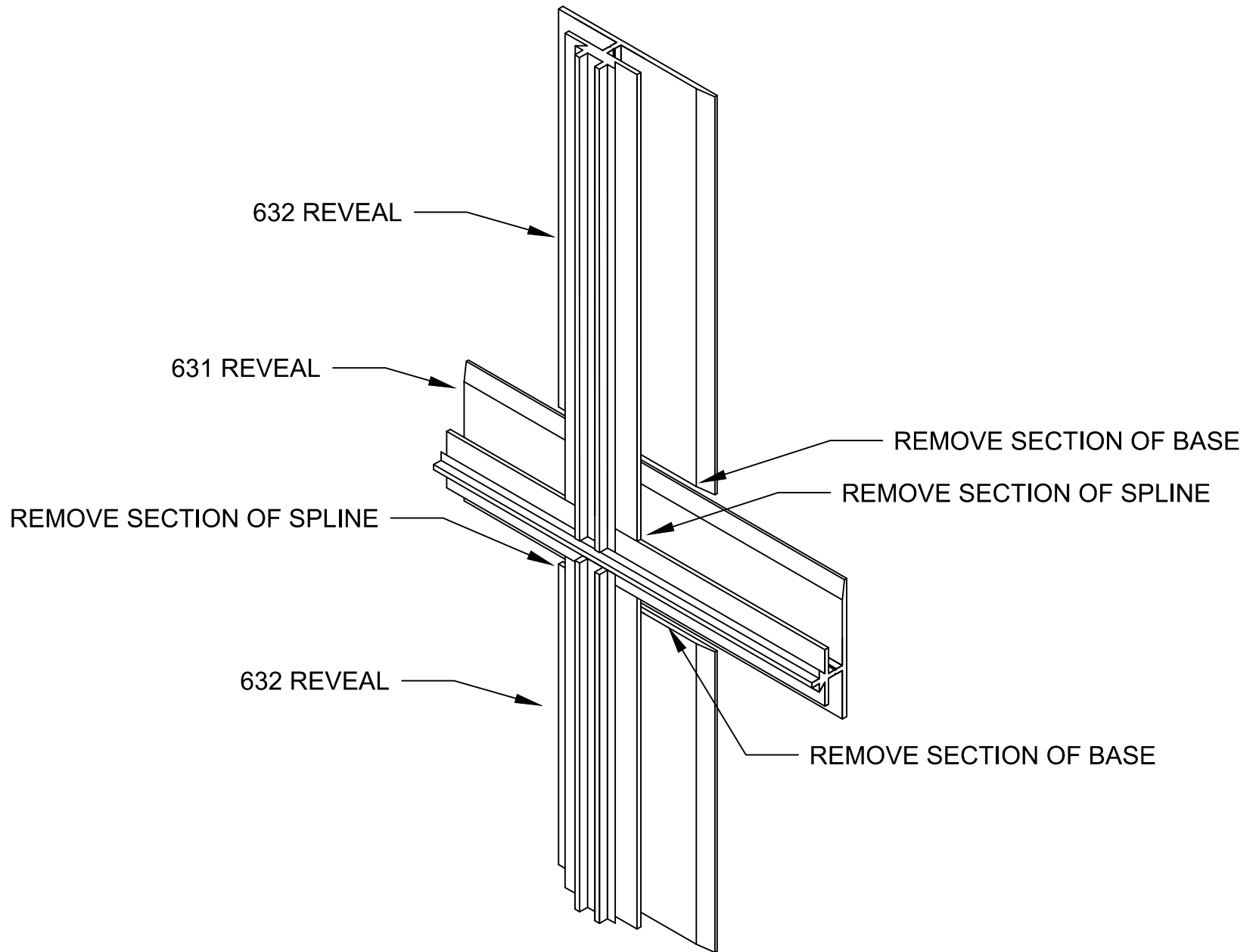
#103-90° OUTSIDE CORNER TRIM

TOP VIEW



#103-135° OUTSIDE CORNER TRIM

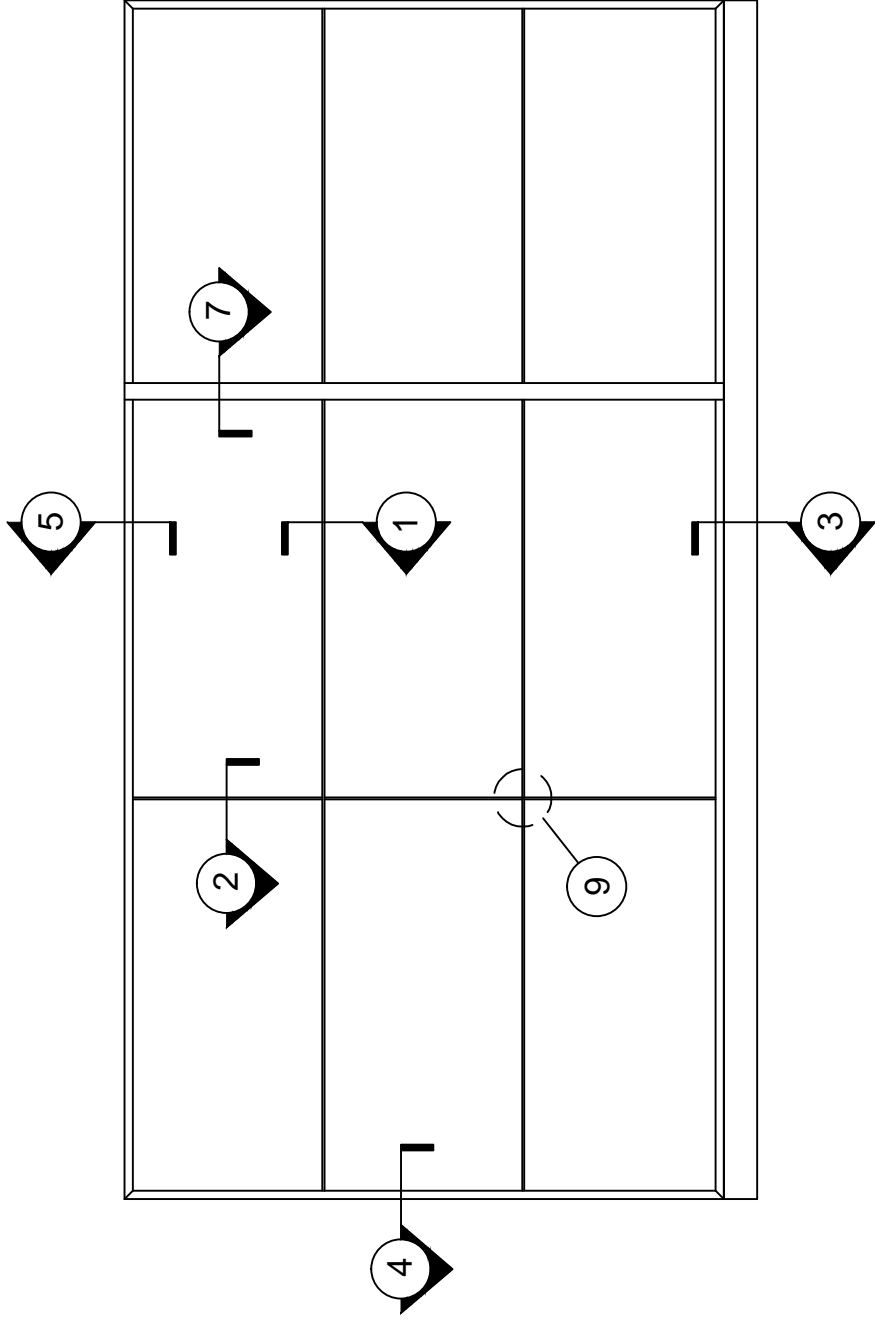
TOP VIEW



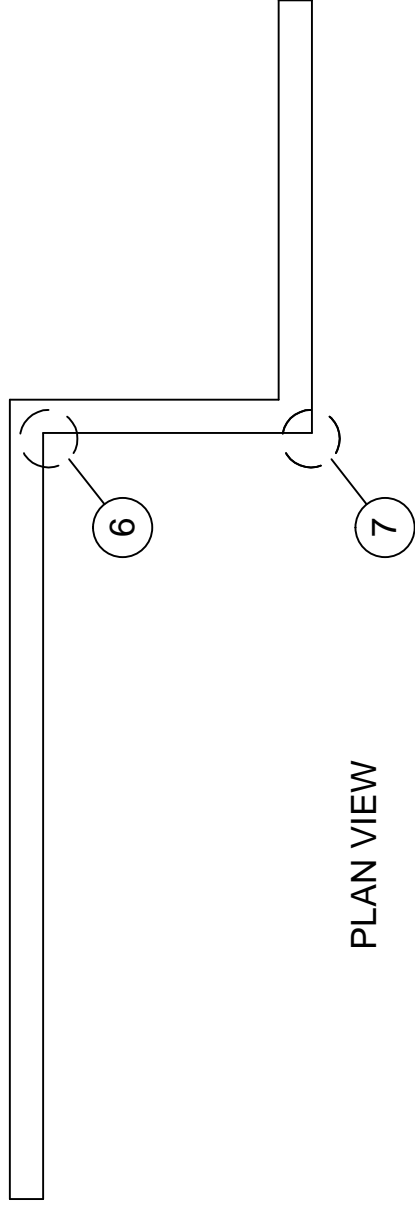
#631-632 REVEAL INTERSECTION DETAIL

ISOMETRIC VIEW

PANEL SPECIALISTS INC.
WALL PANEL SYSTEM 631-632



ELEVATION VIEW



PLAN VIEW