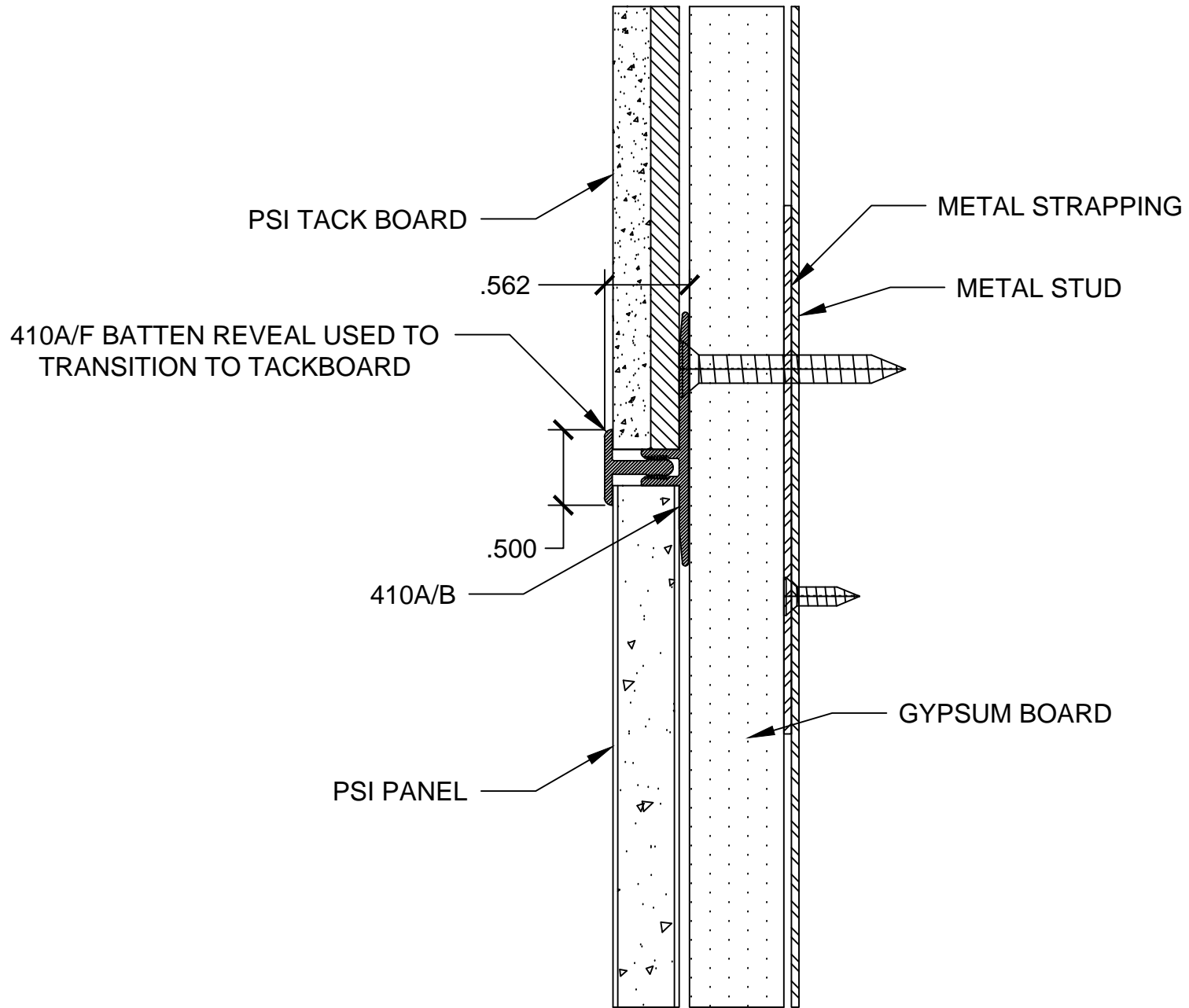


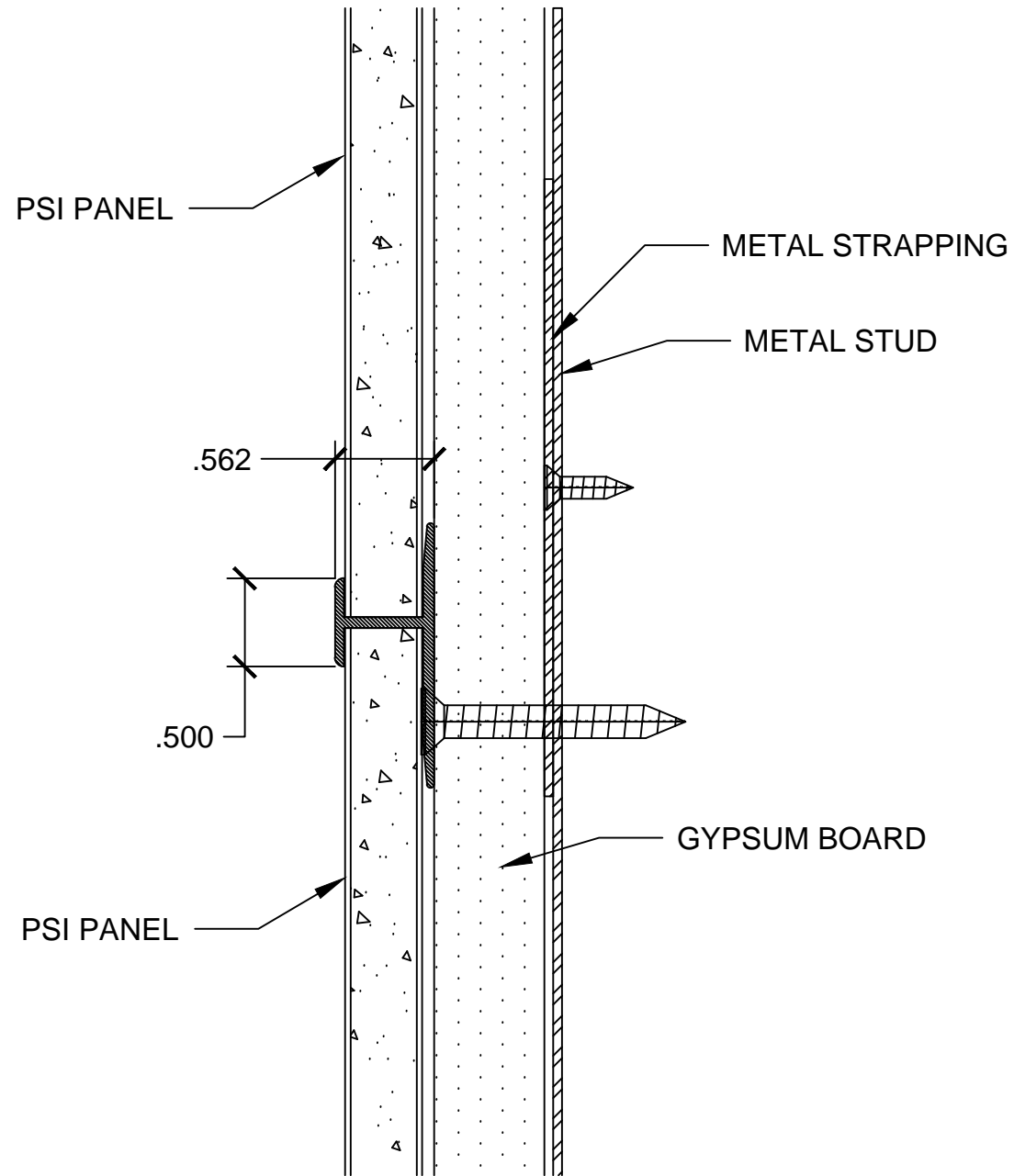
#410A HORIZONTAL BATTEN / DIVIDER

RIGHT SIDE VIEW



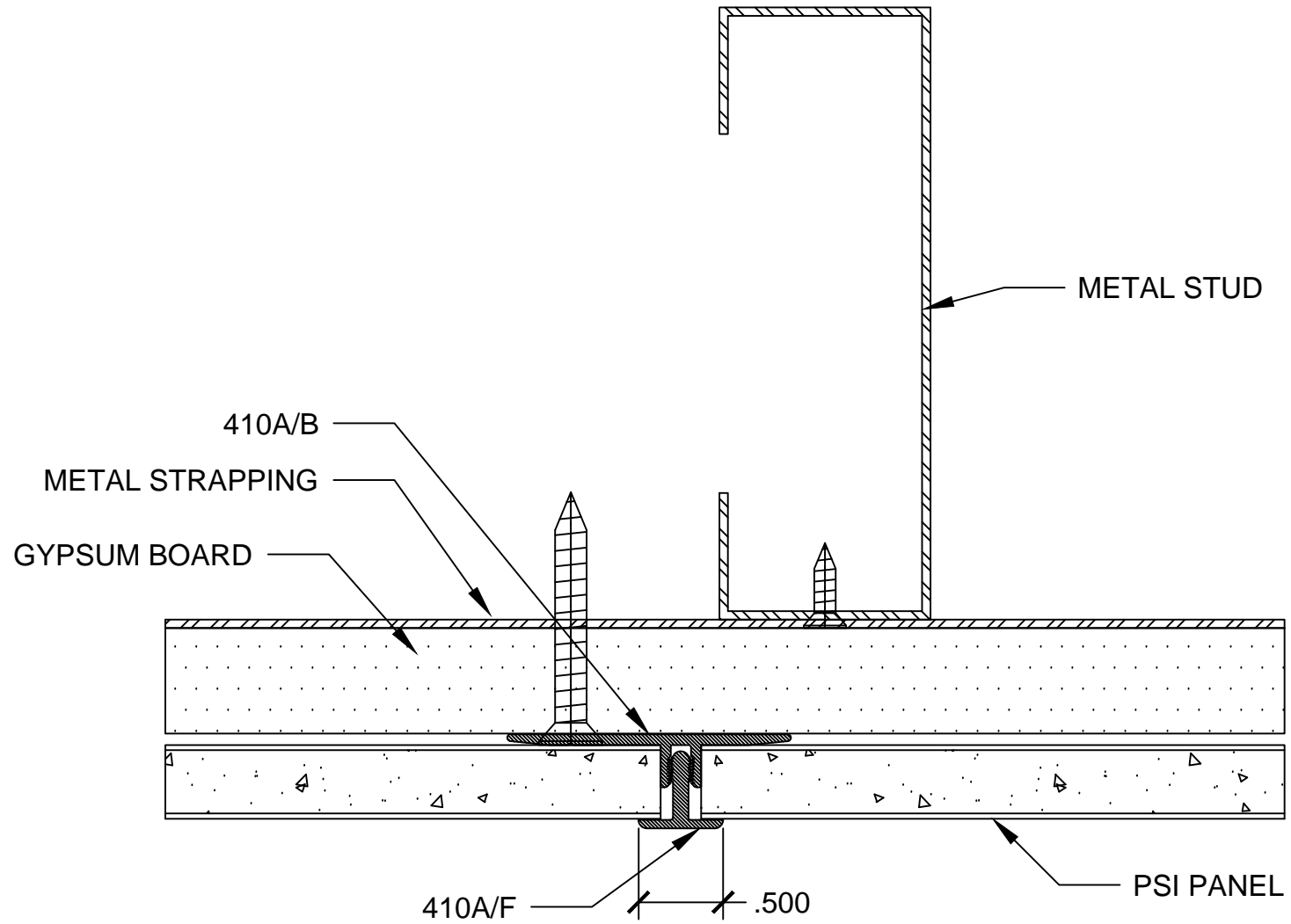
#410A HORIZONTAL BATTEN / DIVIDER

RIGHT SIDE VIEW



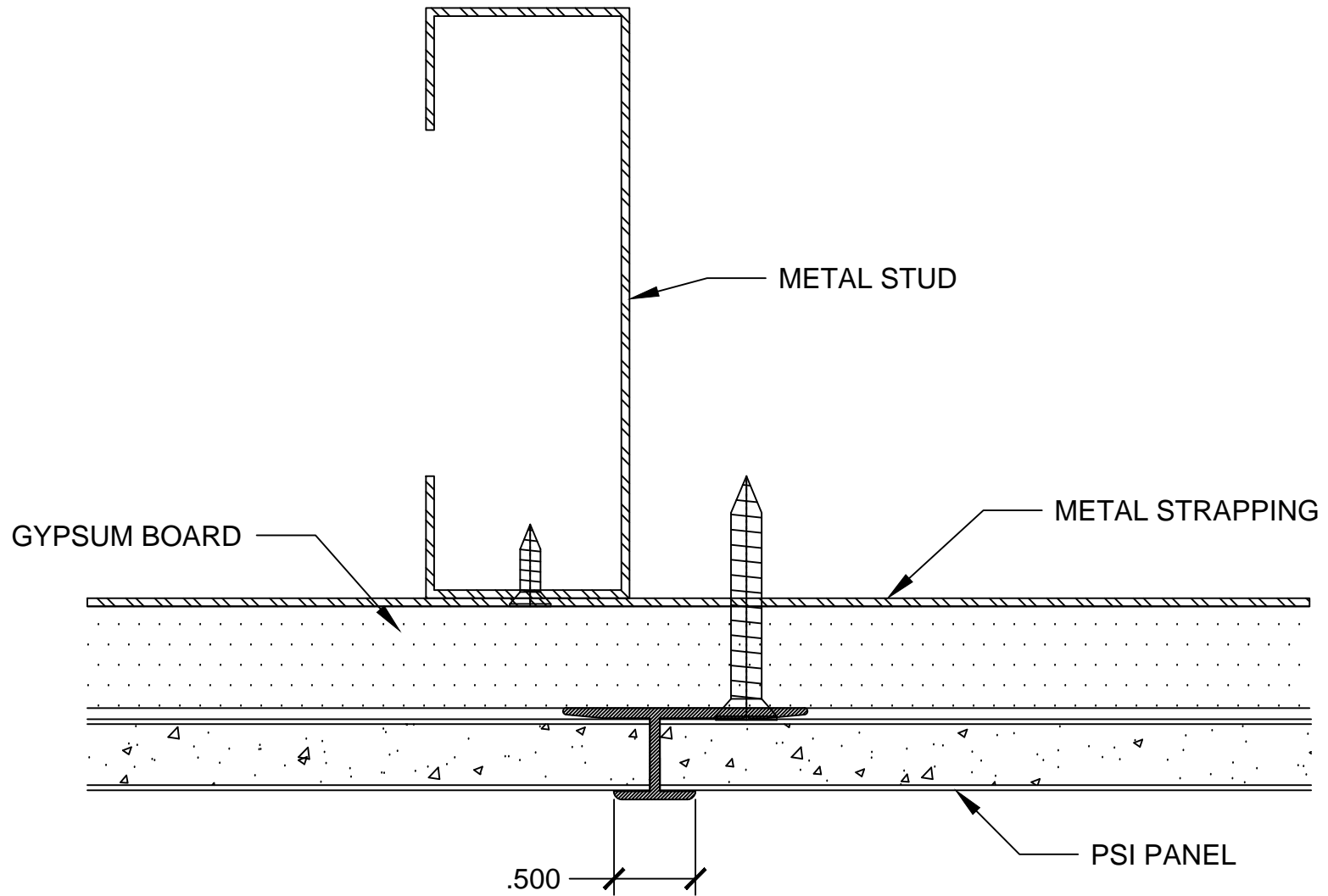
#410 HORIZONTAL BATTEN / DIVIDER

RIGHT SIDE VIEW



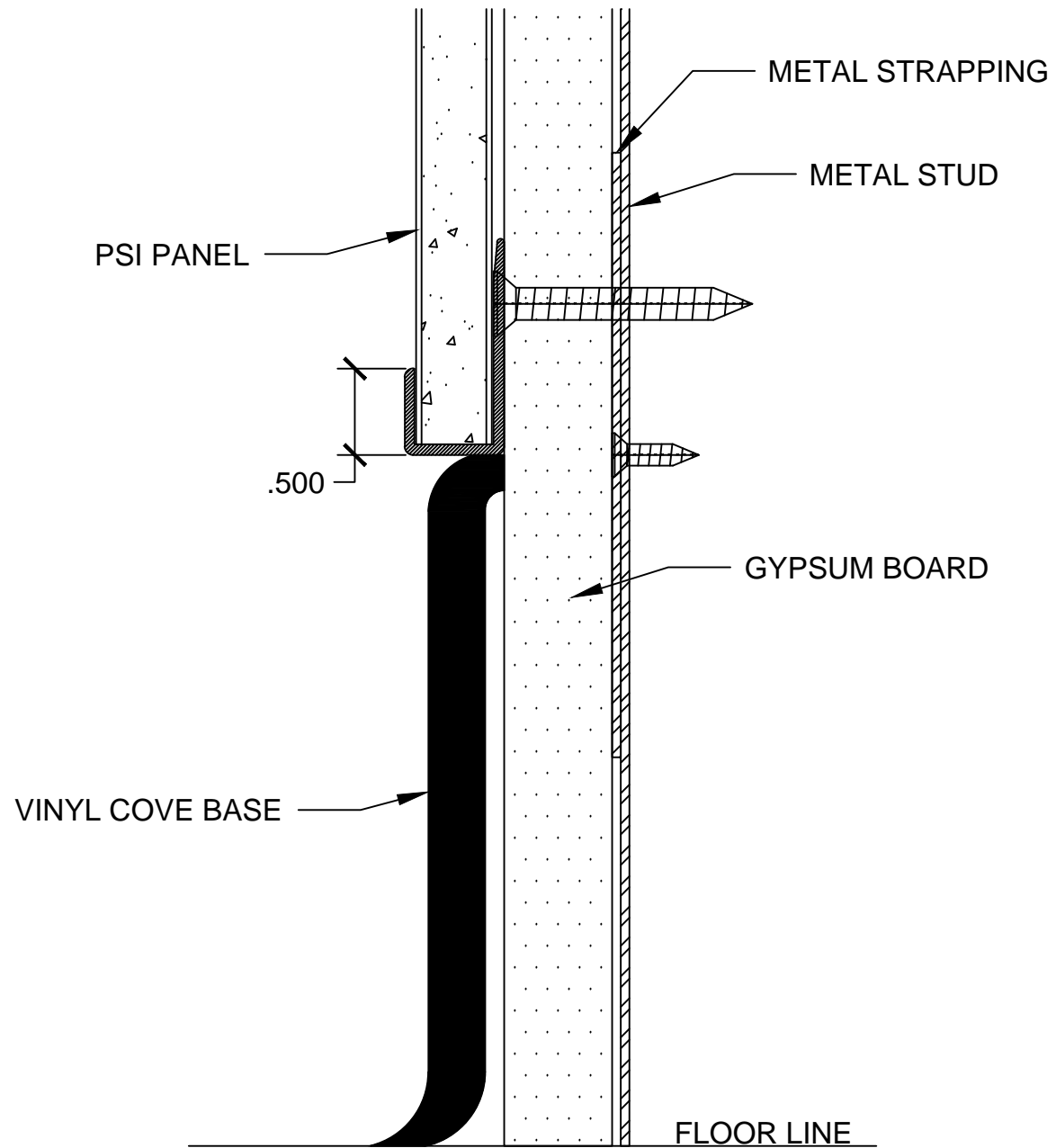
#410A VERTICAL REVEAL / DIVIDER

TOP VIEW



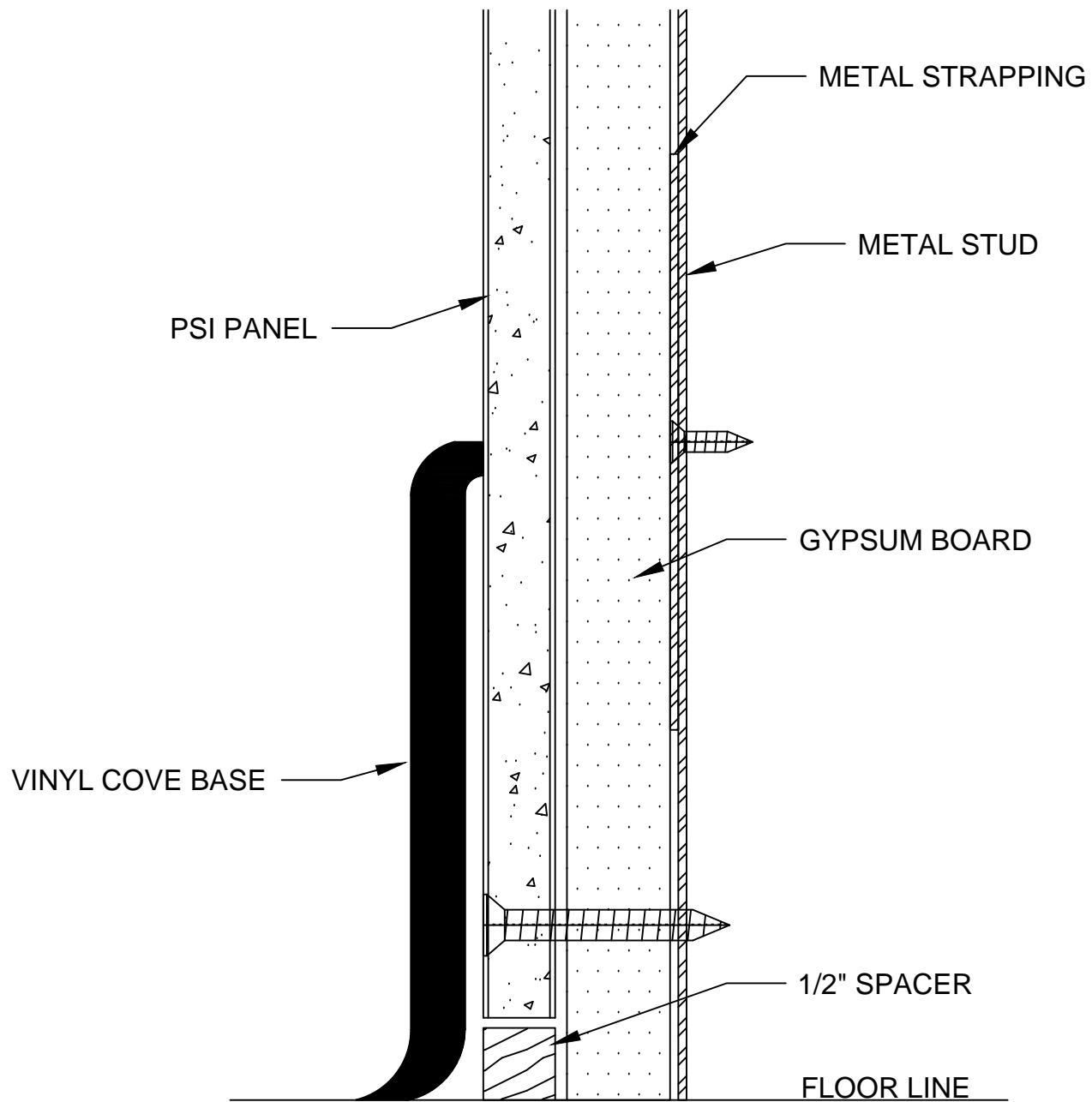
#410 VERTICAL REVEAL / DIVIDER

TOP VIEW



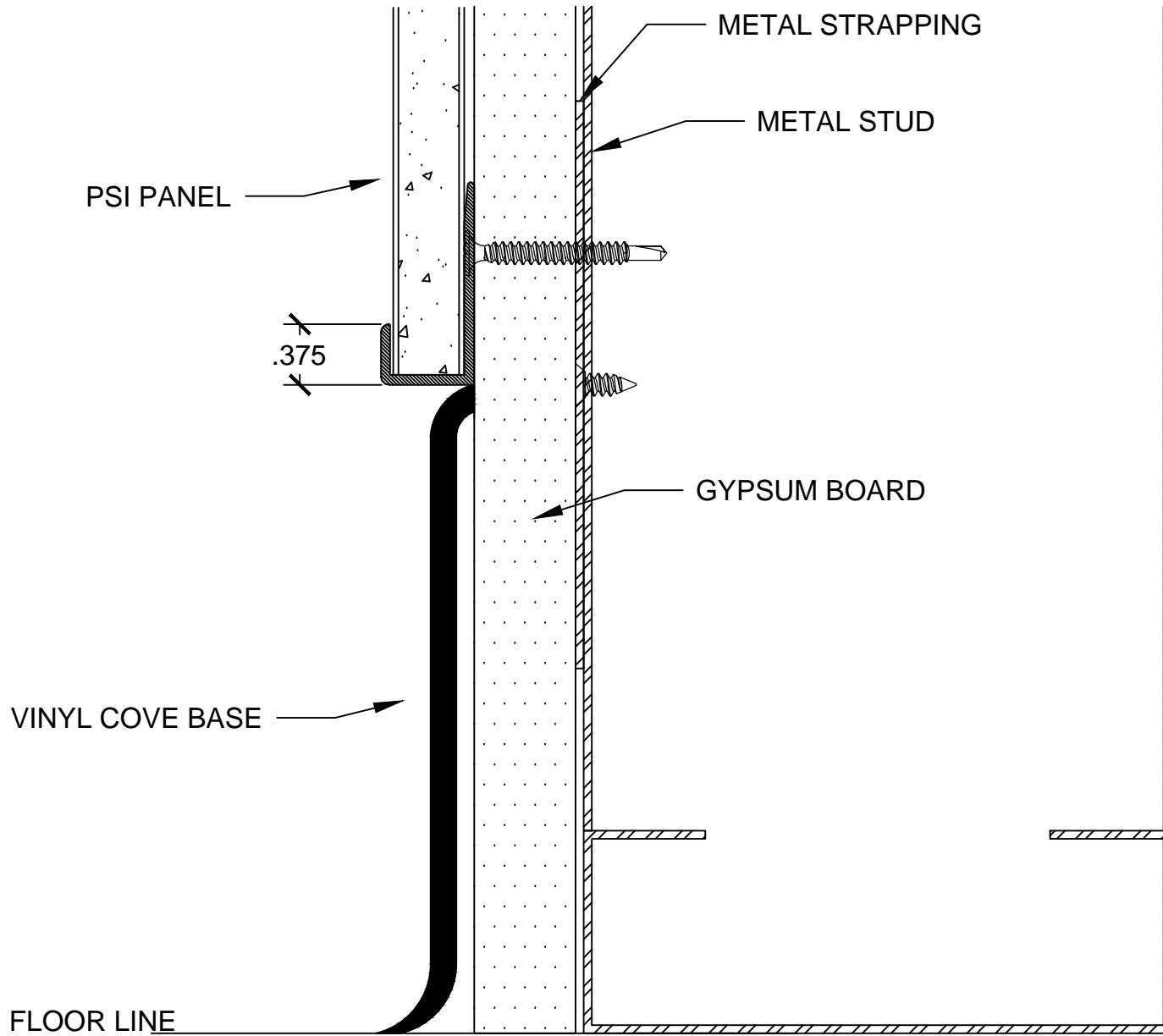
#304 HORIZONTAL TRIM - ABOVE BASE

RIGHT SIDE VIEW



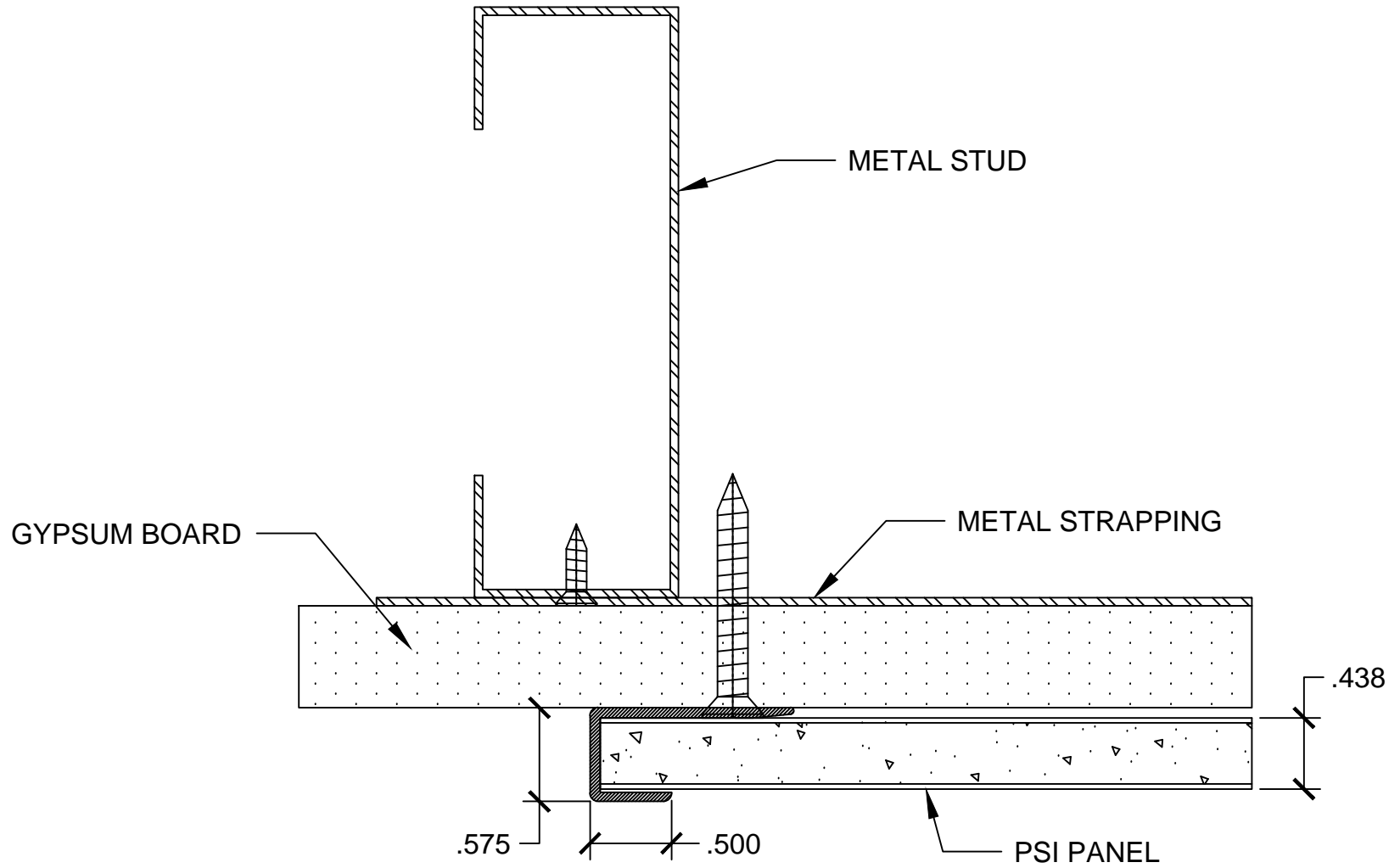
ALTERNATE - BEHIND BASE

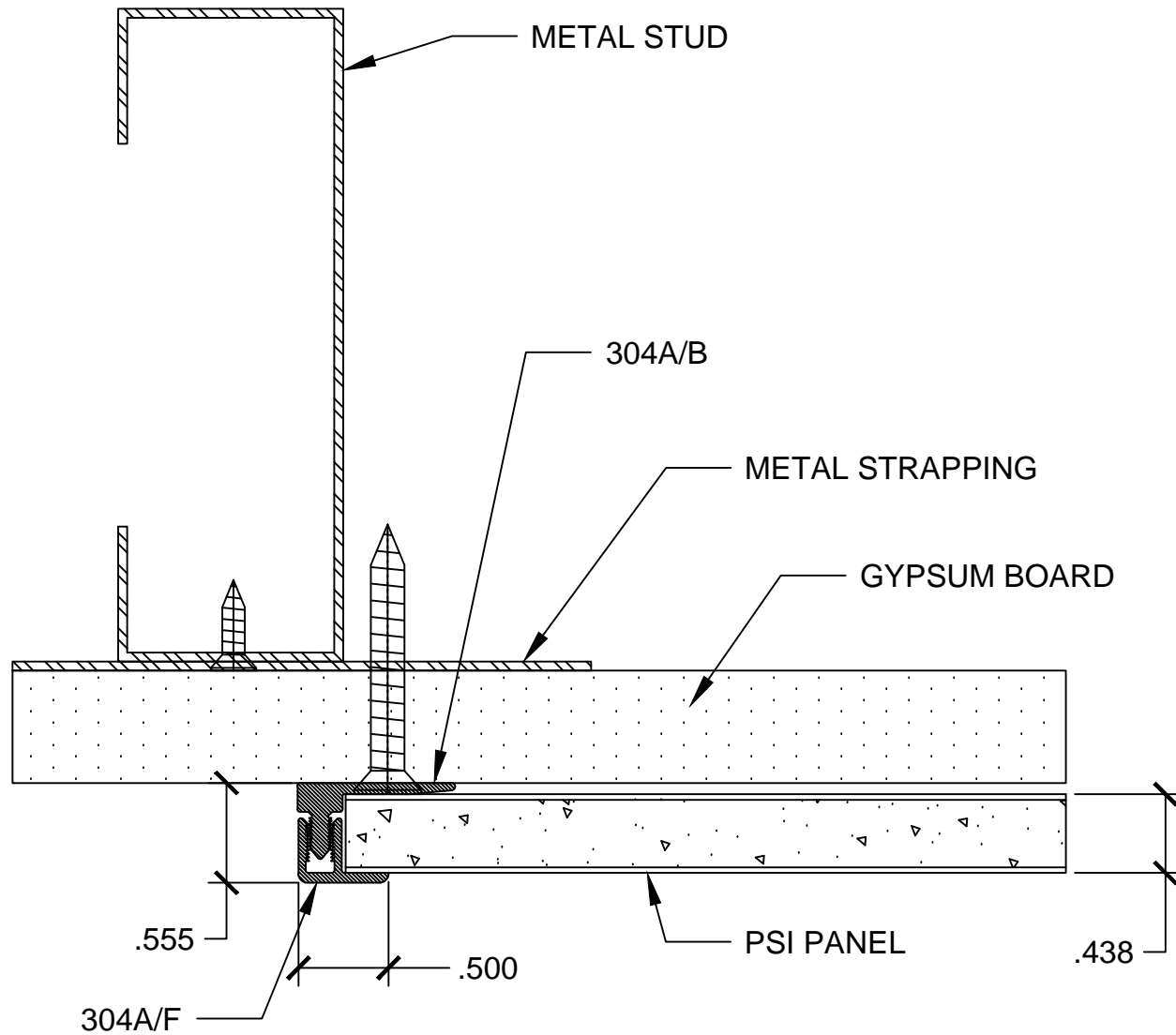
RIGHT SIDE VIEW



#604 HORIZONTAL TRIM - ABOVE BASE

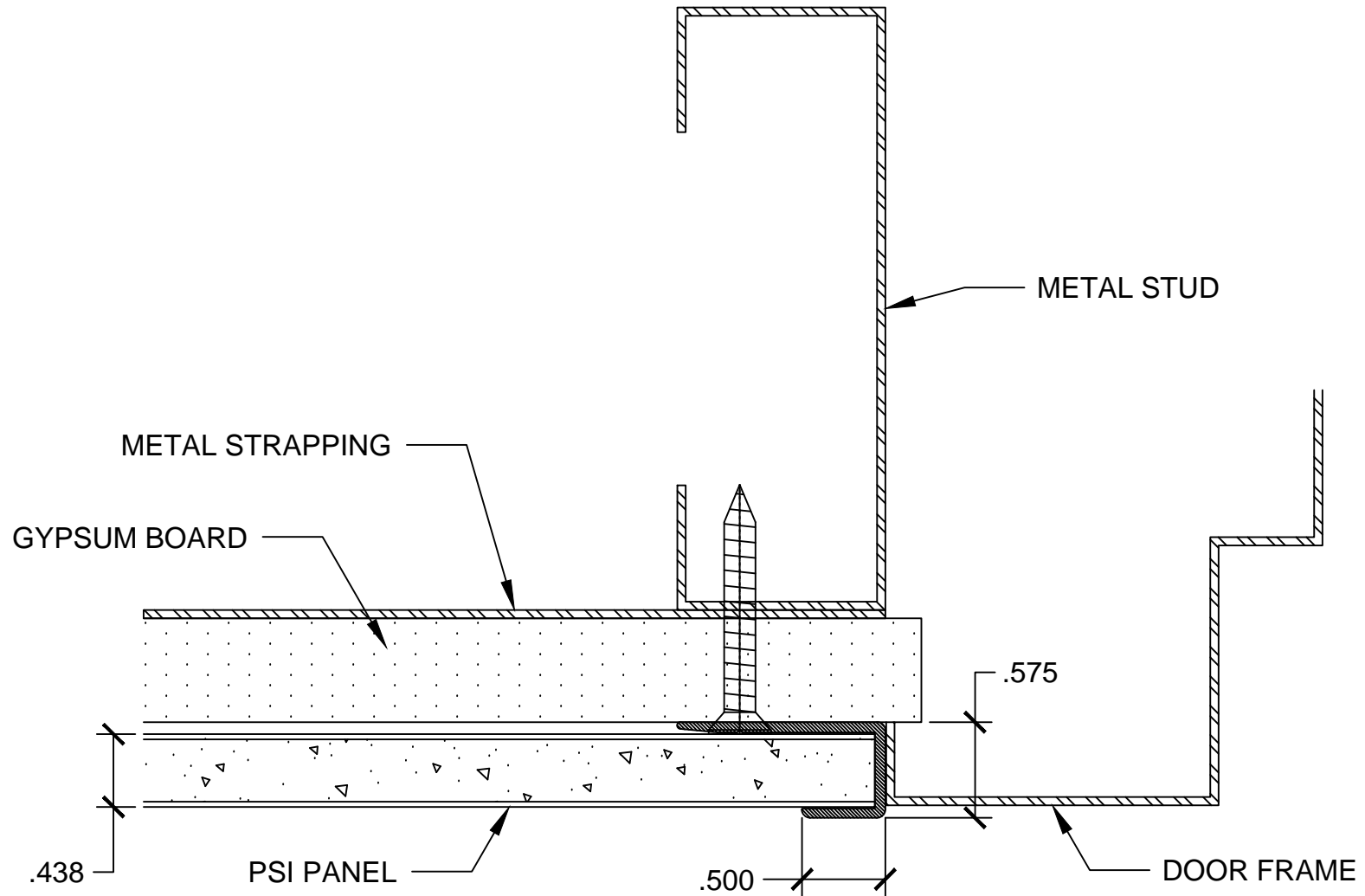
RIGHT SIDE VIEW





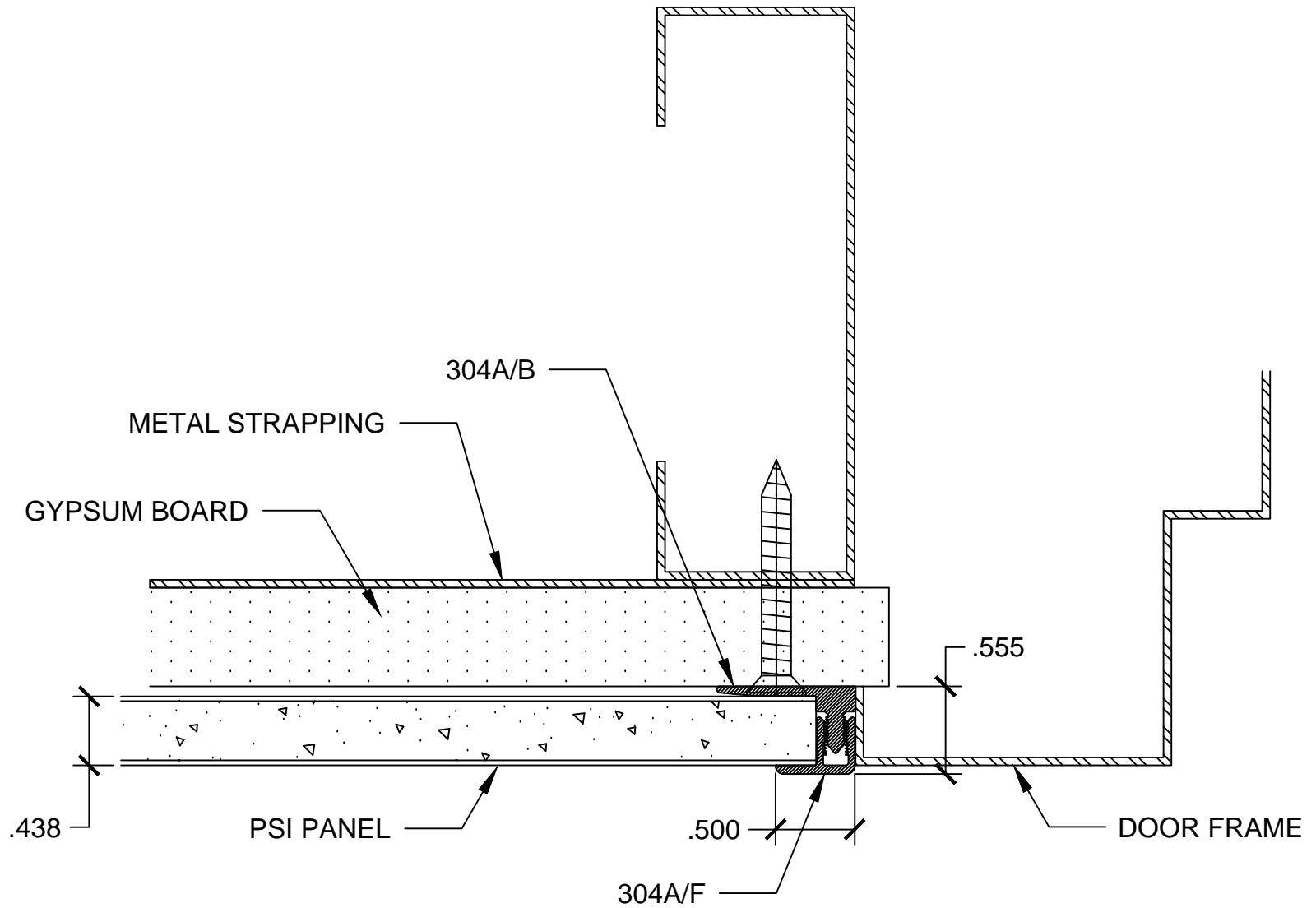
#304A VERTICAL EDGE TRIM

TOP VIEW



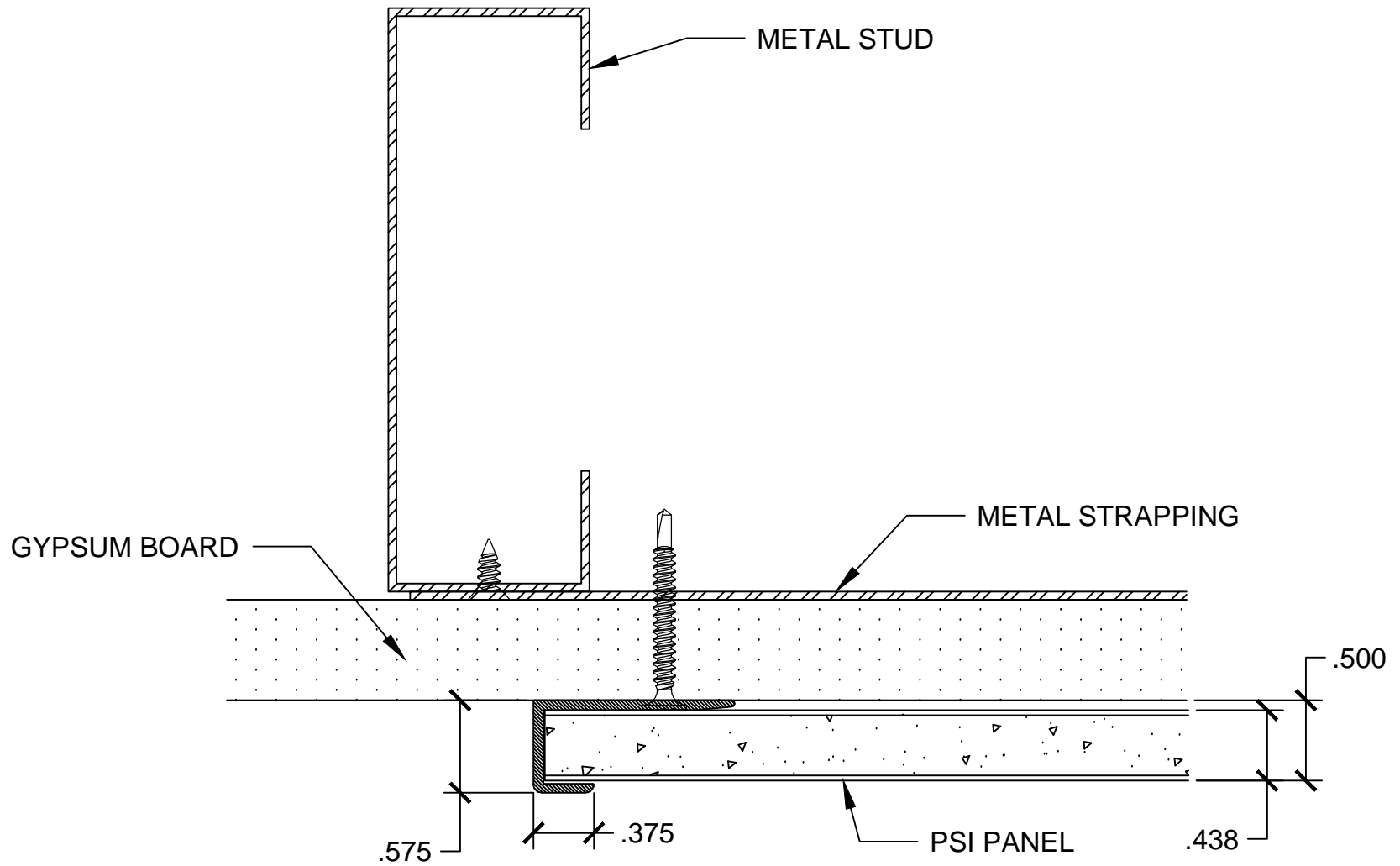
#304 EDGE TRIM @ DOOR OR WINDOW FRAME

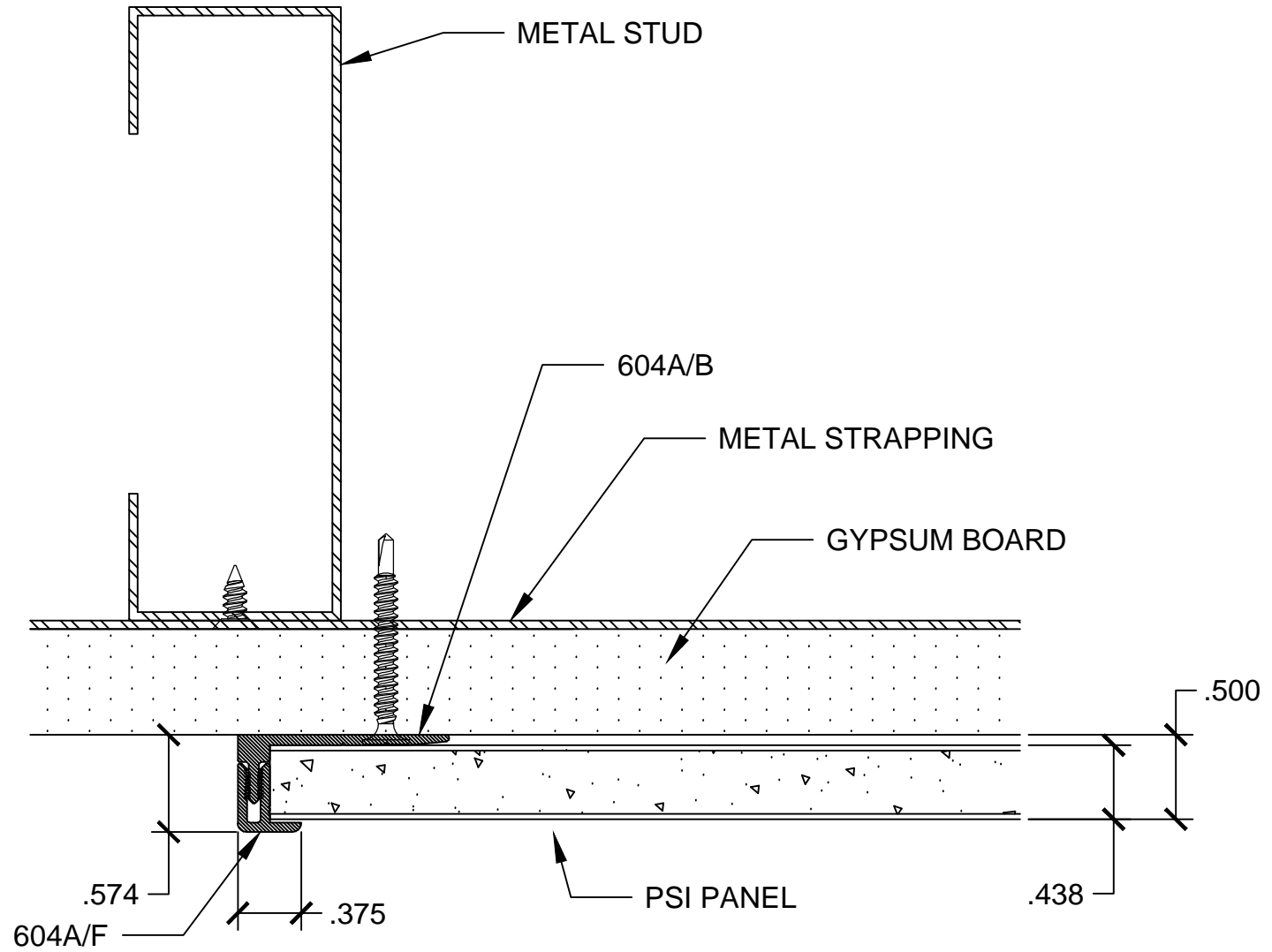
TOP VIEW



#304A EDGE TRIM @ DOOR OR WINDOW FRAME

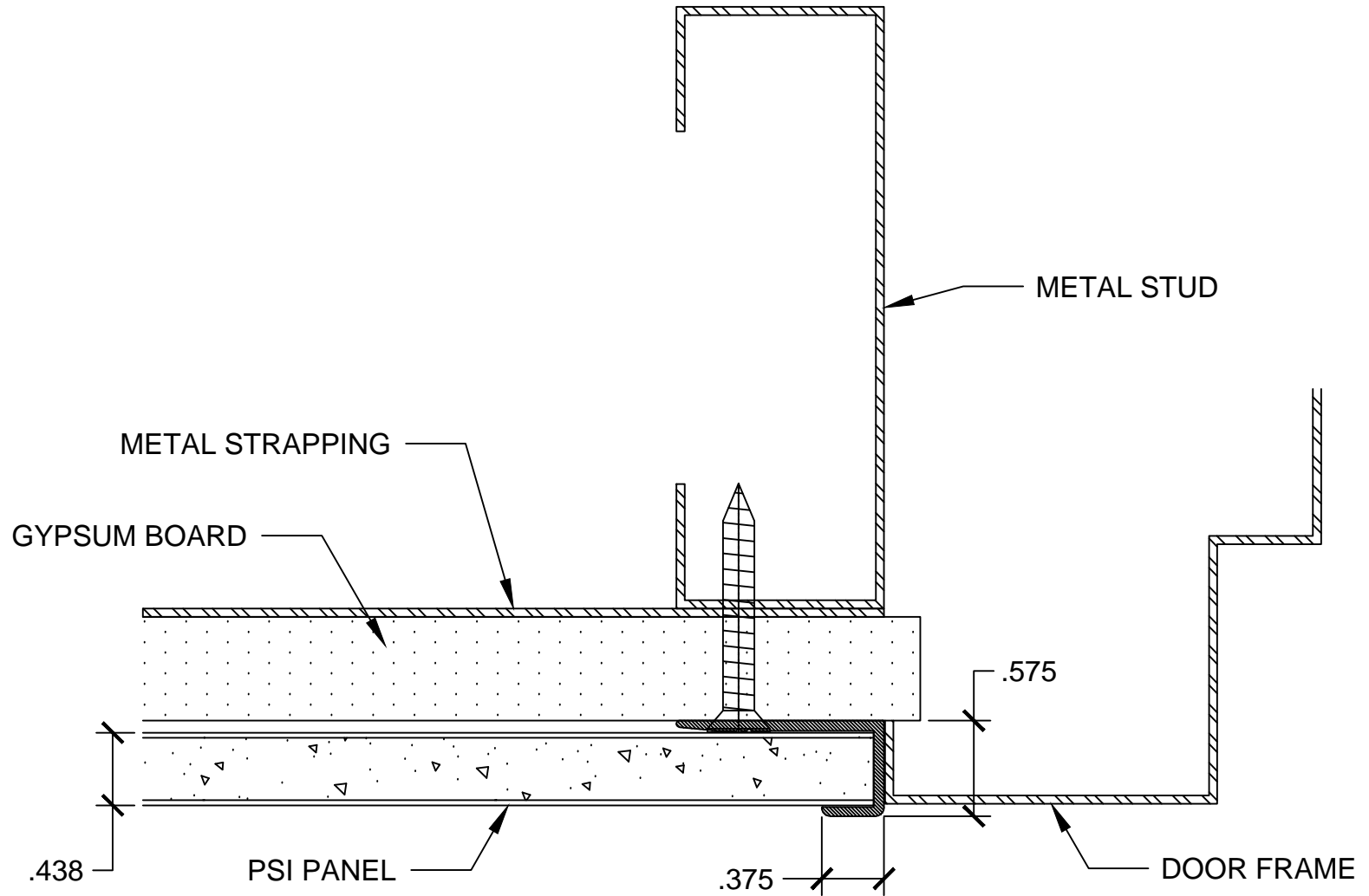
TOP VIEW





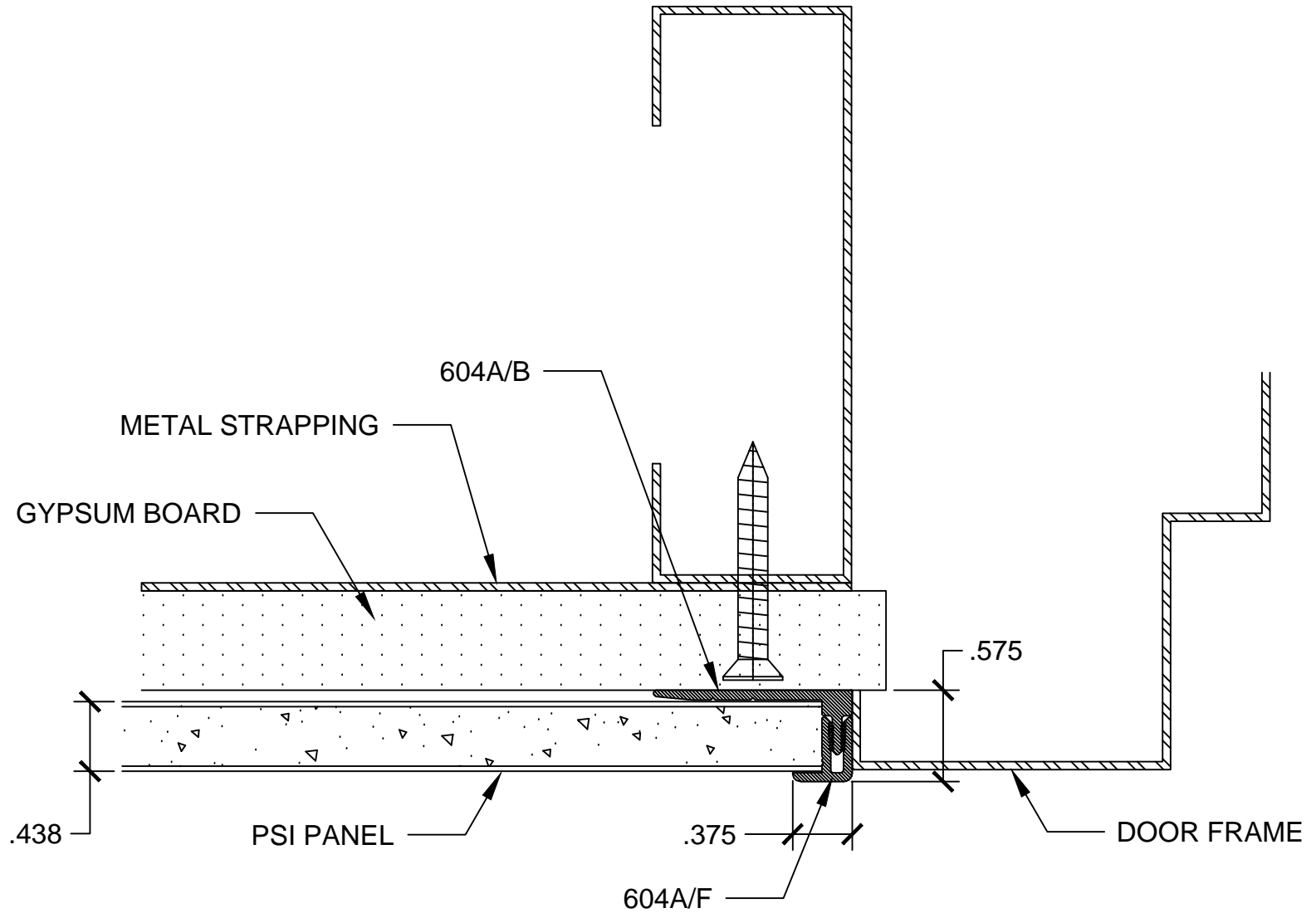
#604A VERTICAL EDGE TRIM

TOP VIEW



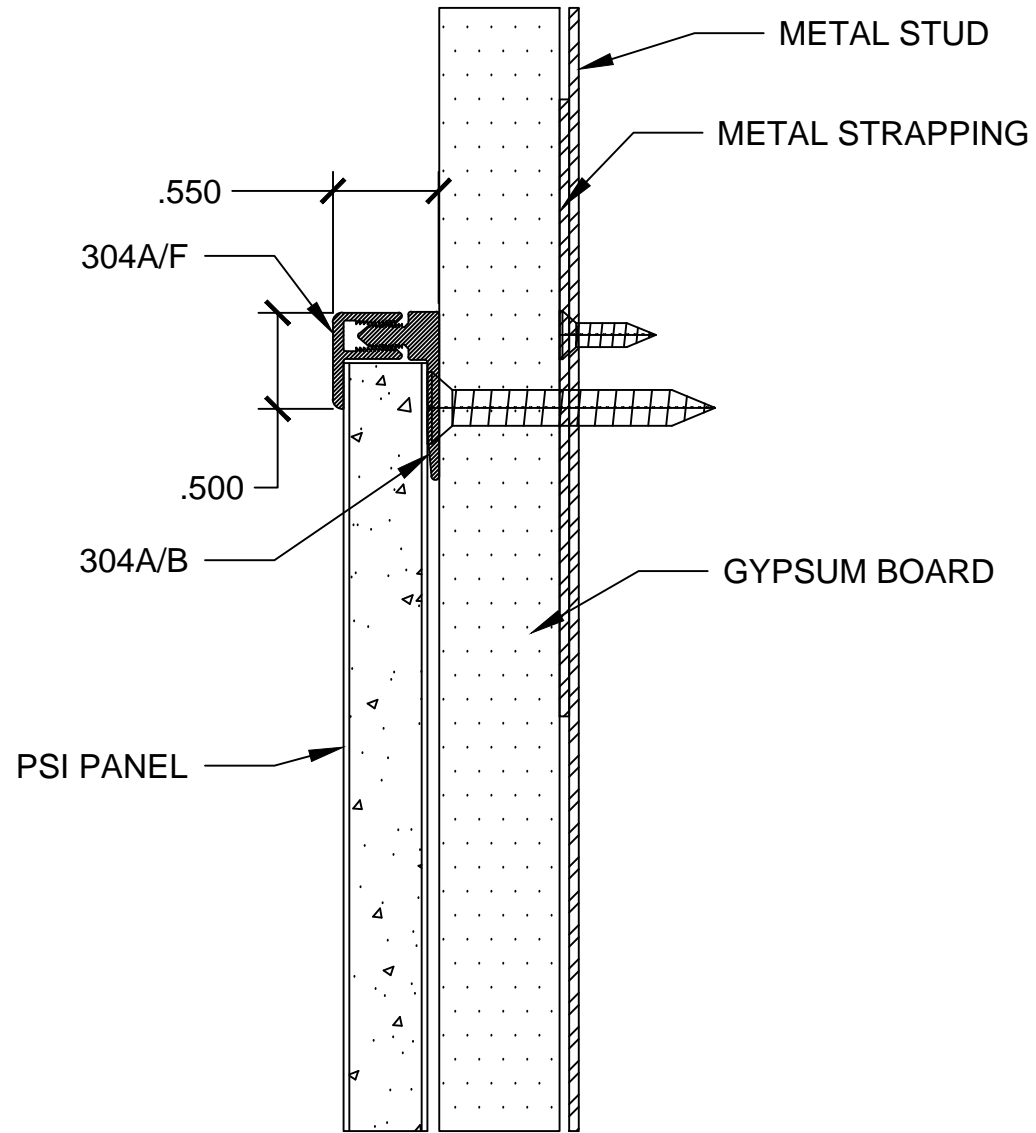
#604 EDGE TRIM @ DOOR OR WINDOW FRAME

TOP VIEW



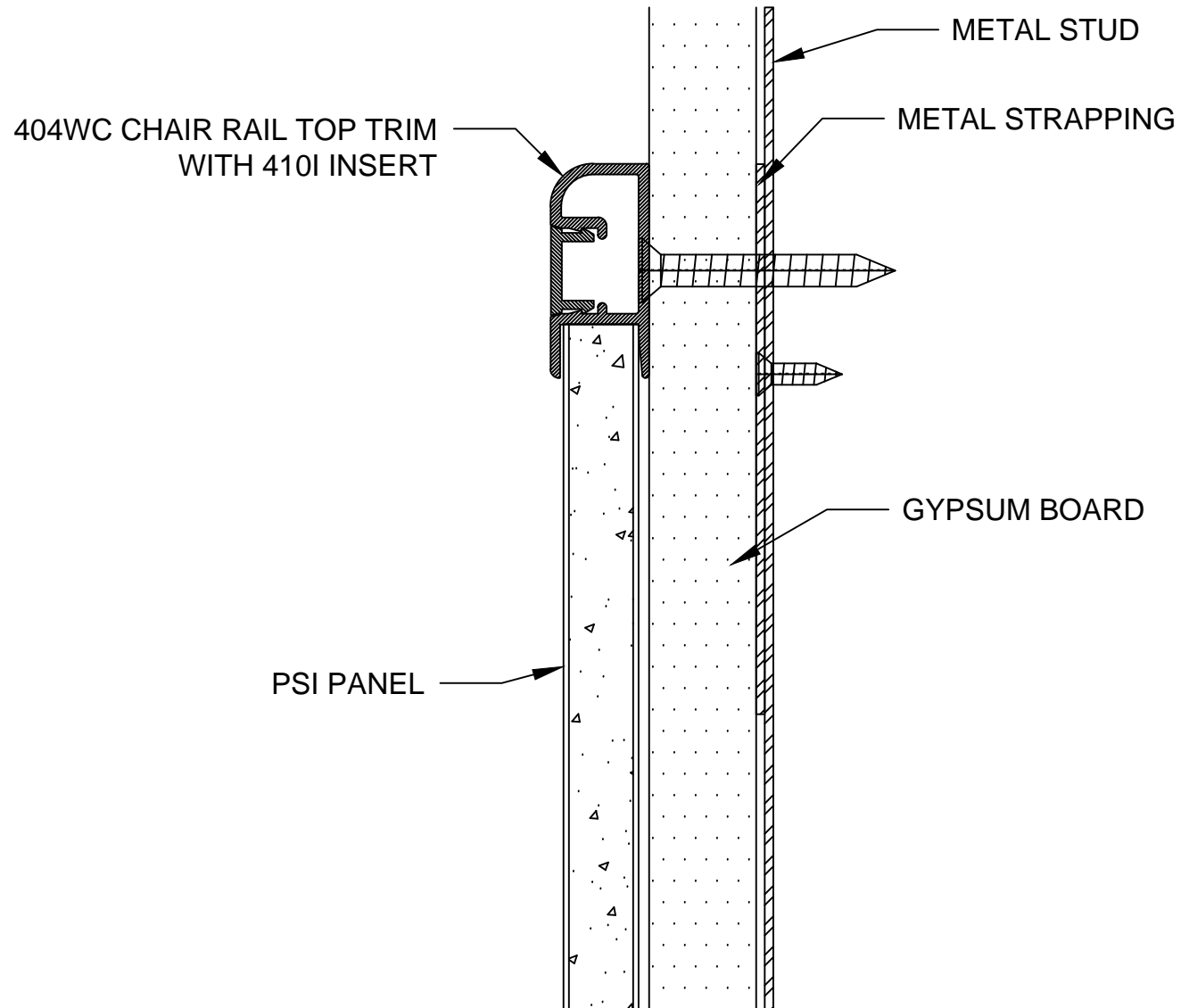
#604A EDGE TRIM @ DOOR OR WINDOW FRAME

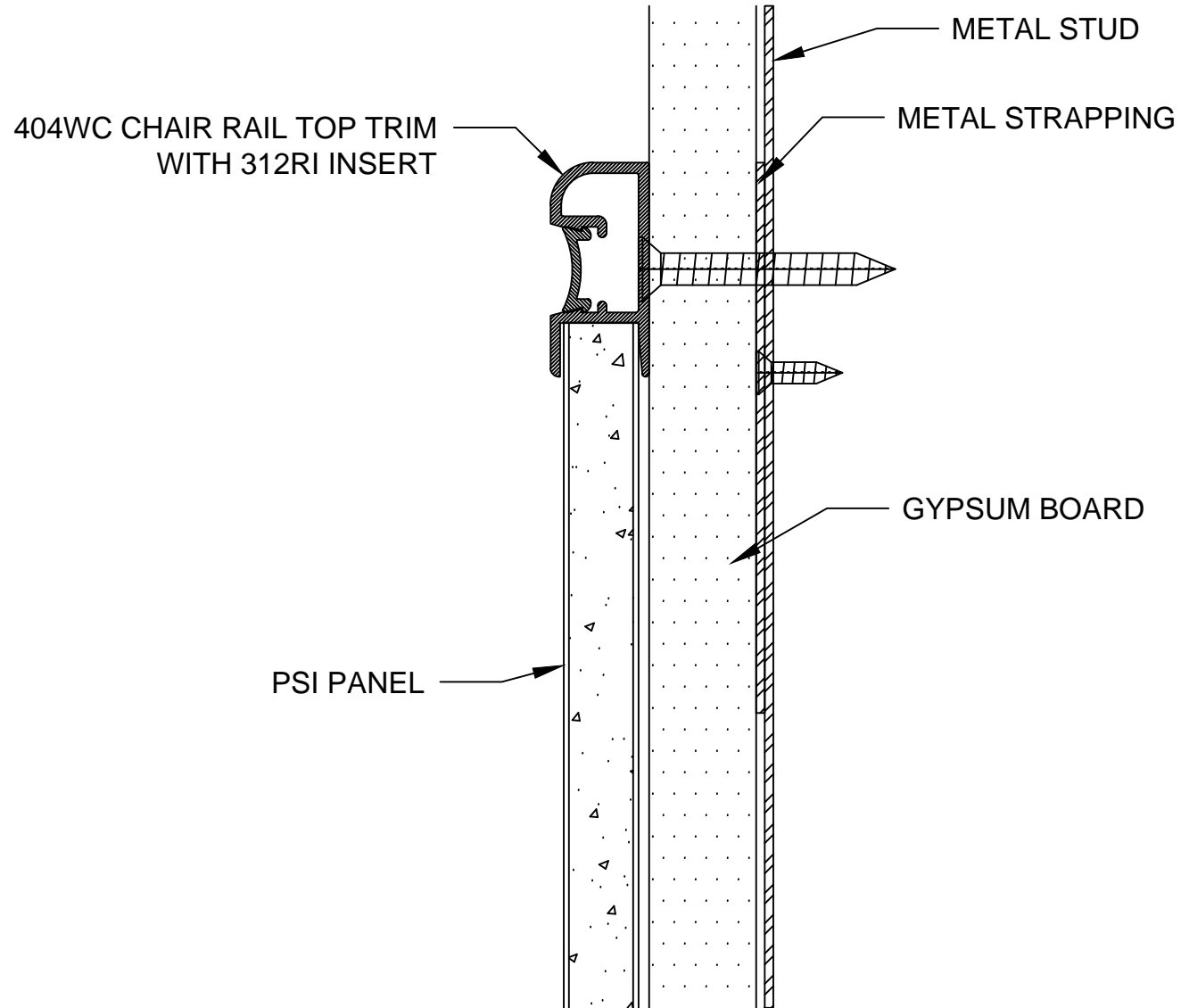
TOP VIEW



#304A TOP TRIM

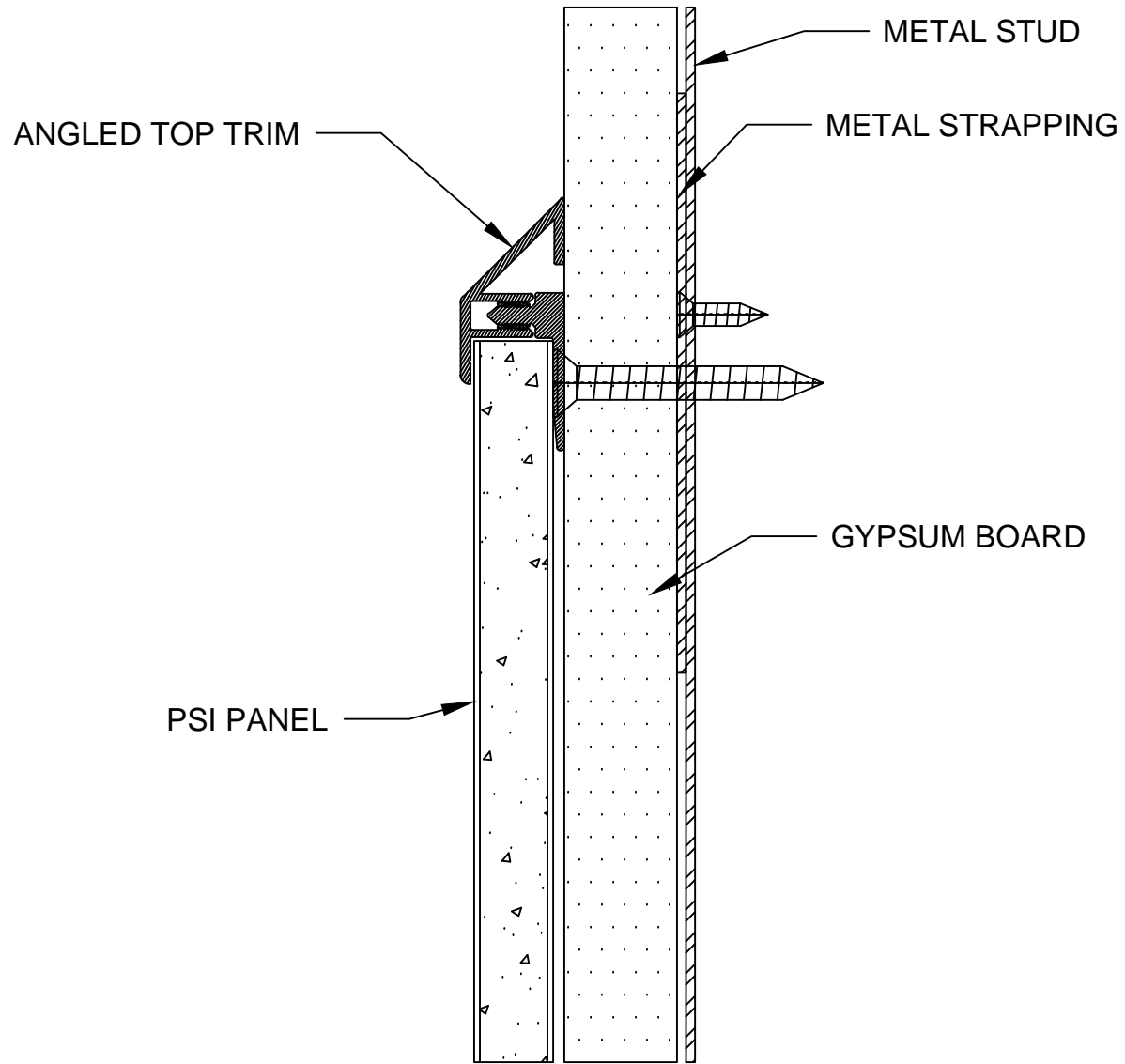
RIGHT SIDE VIEW





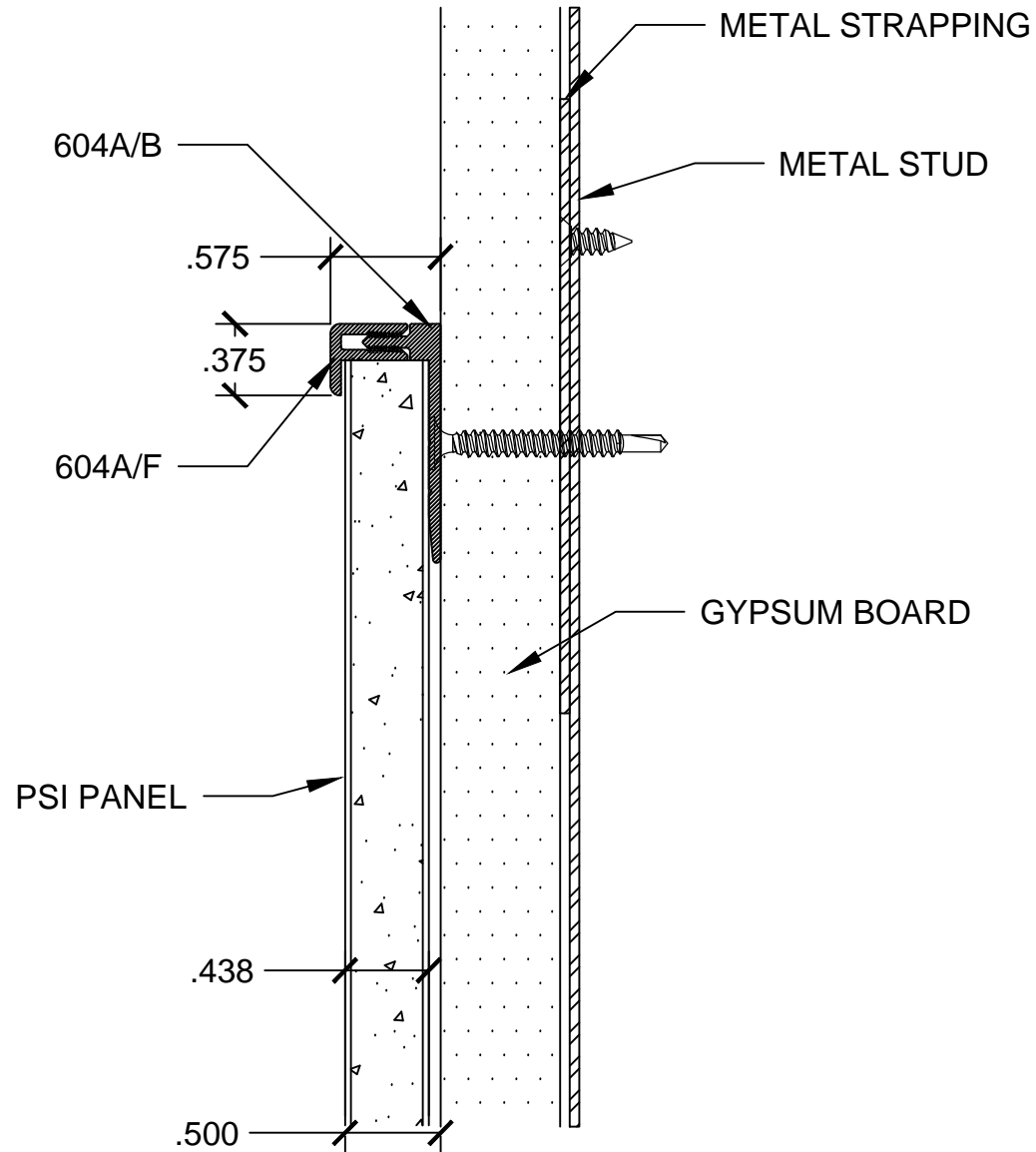
404WC WAINSCOT CHAIR RAIL TOP TRIM

RIGHT SIDE VIEW



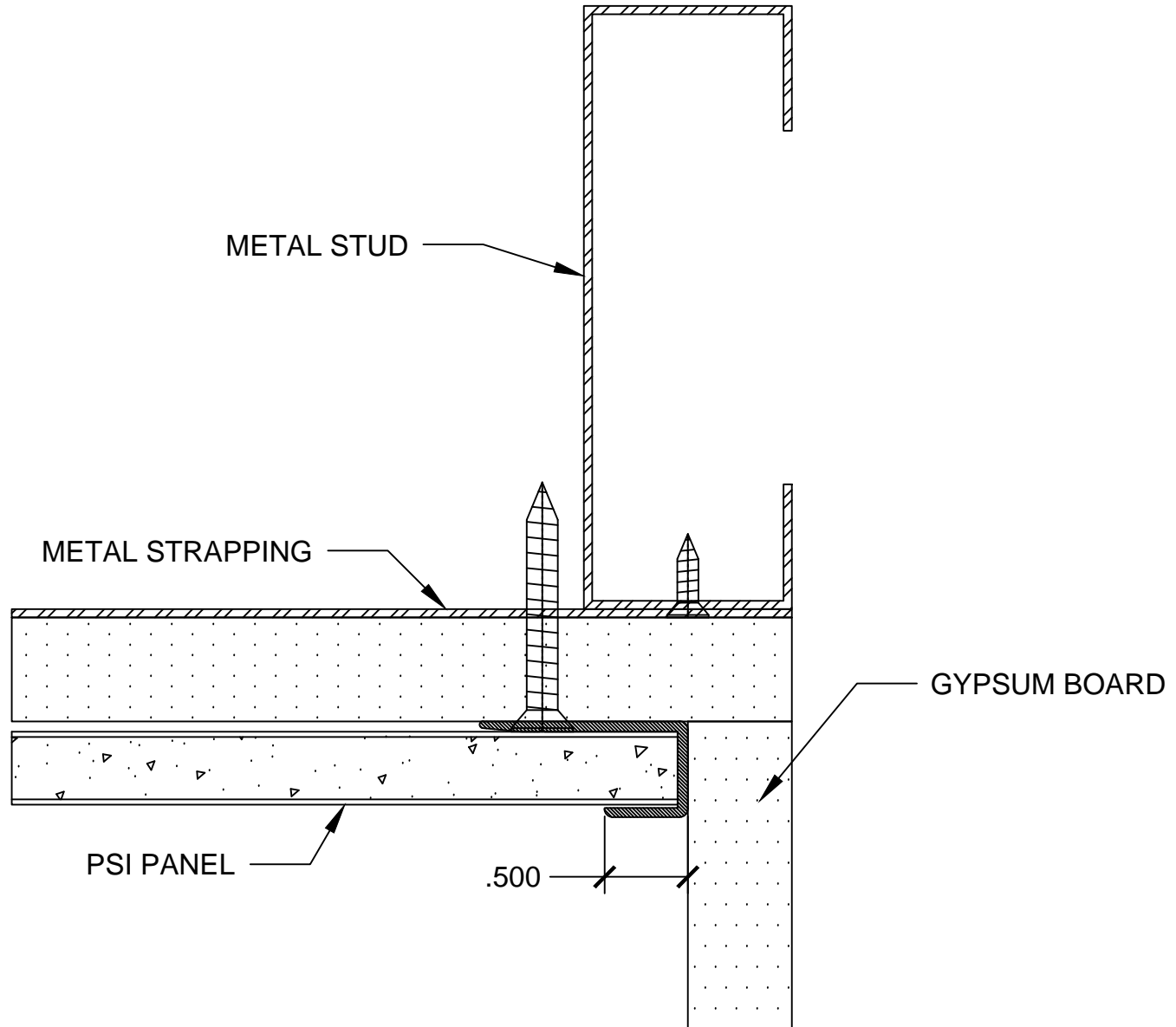
#304A ANGLED TOP TRIM

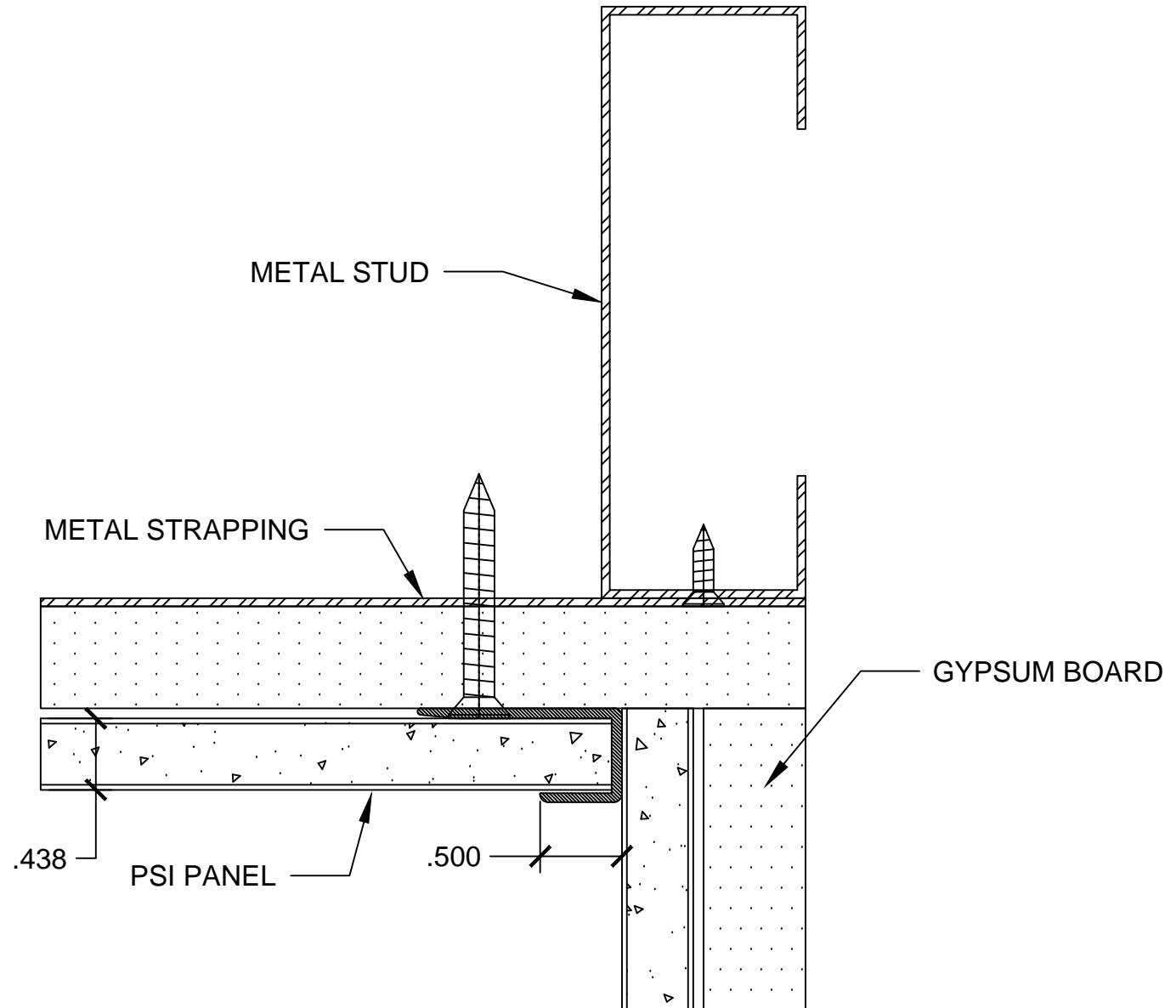
RIGHT SIDE VIEW

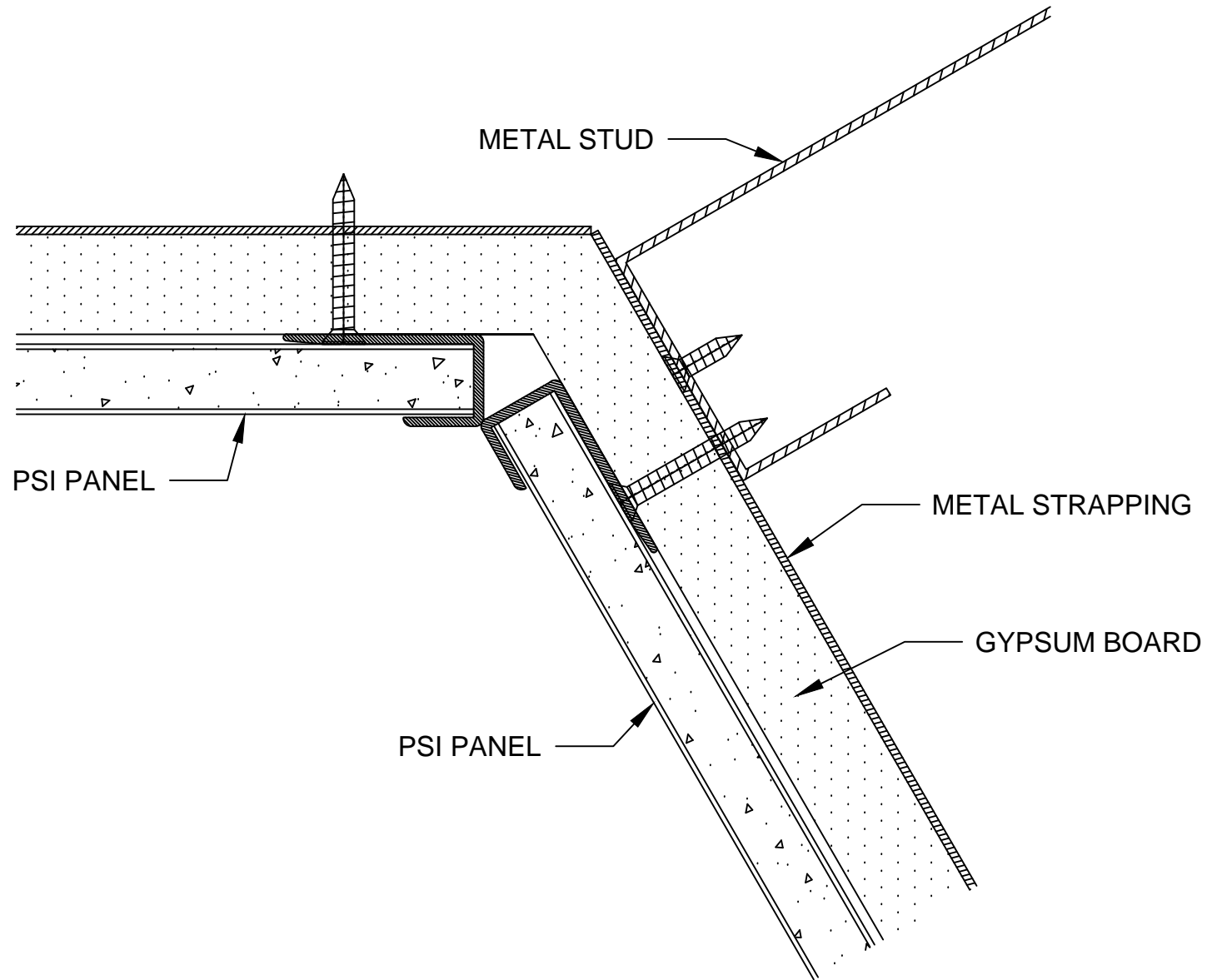


#604A TOP TRIM

RIGHT SIDE VIEW

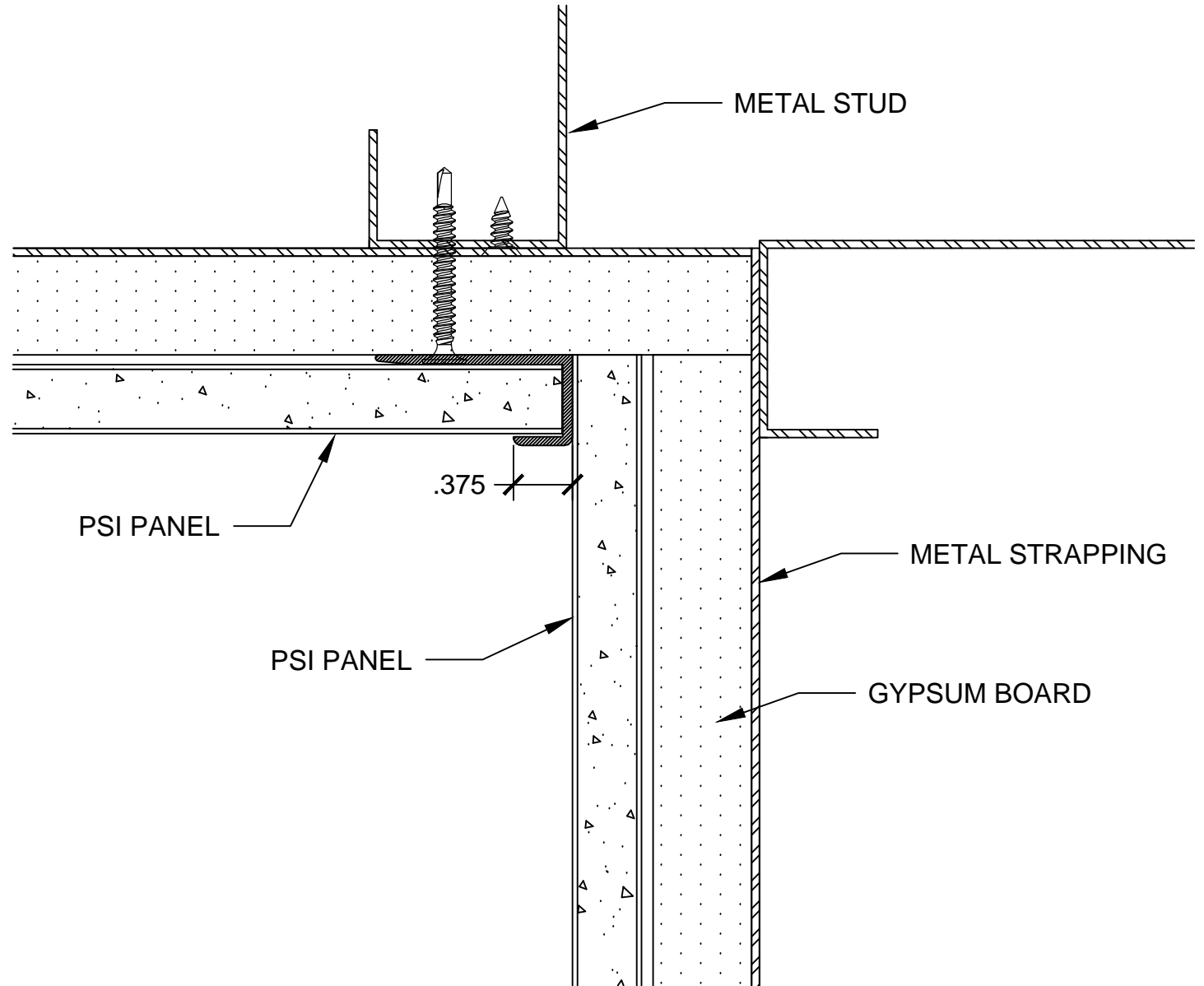


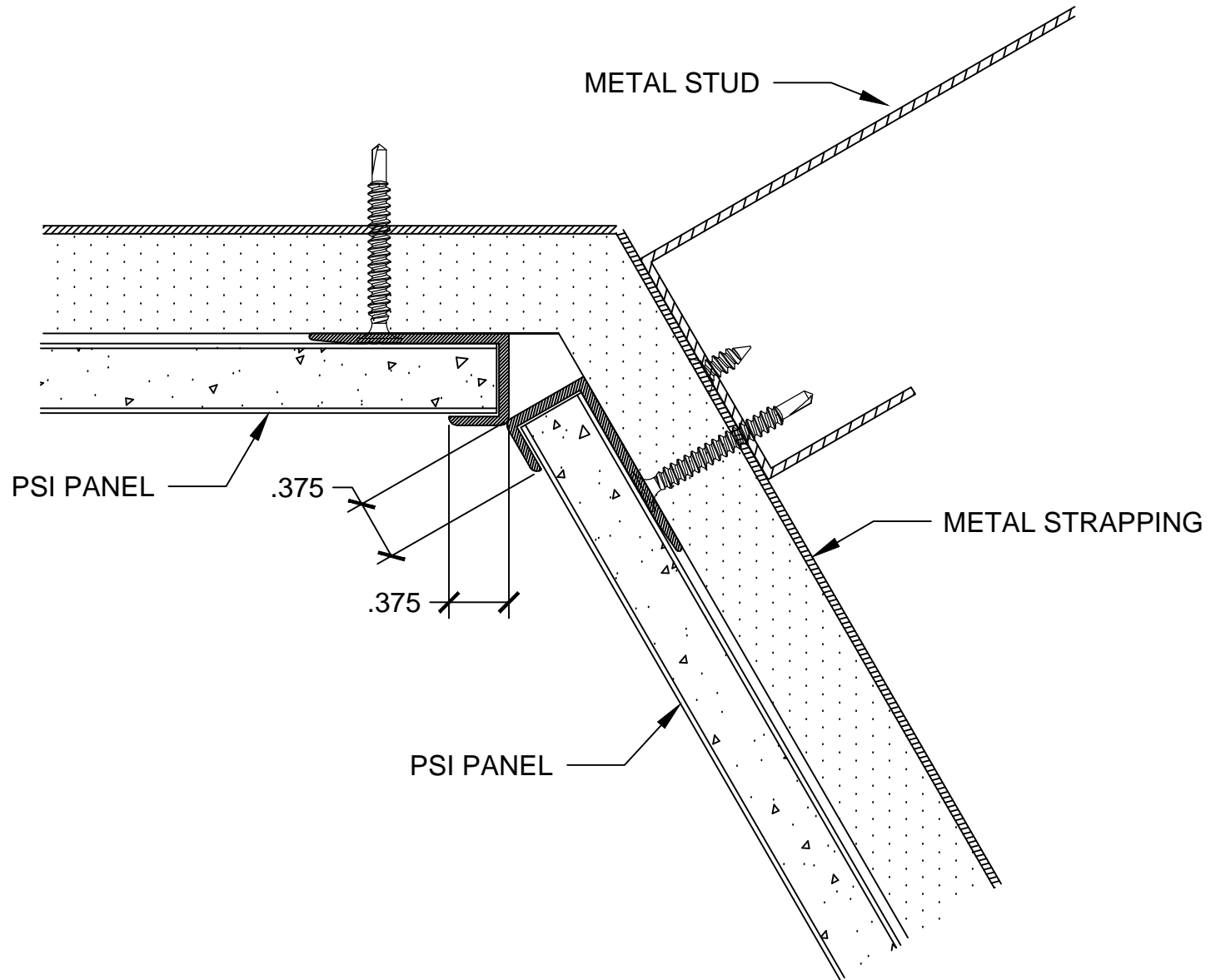




#304 ANGLED INSIDE CORNER

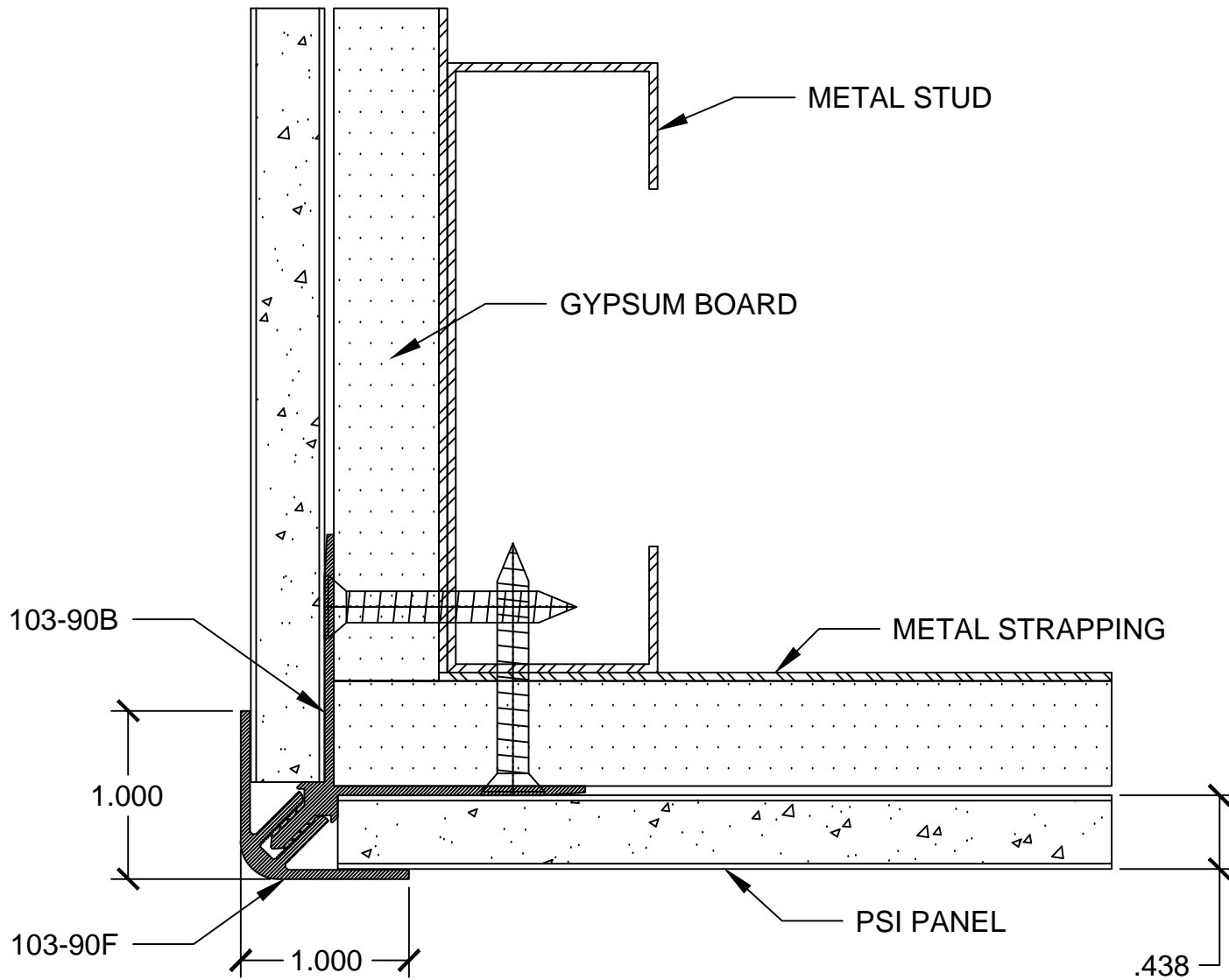
TOP VIEW





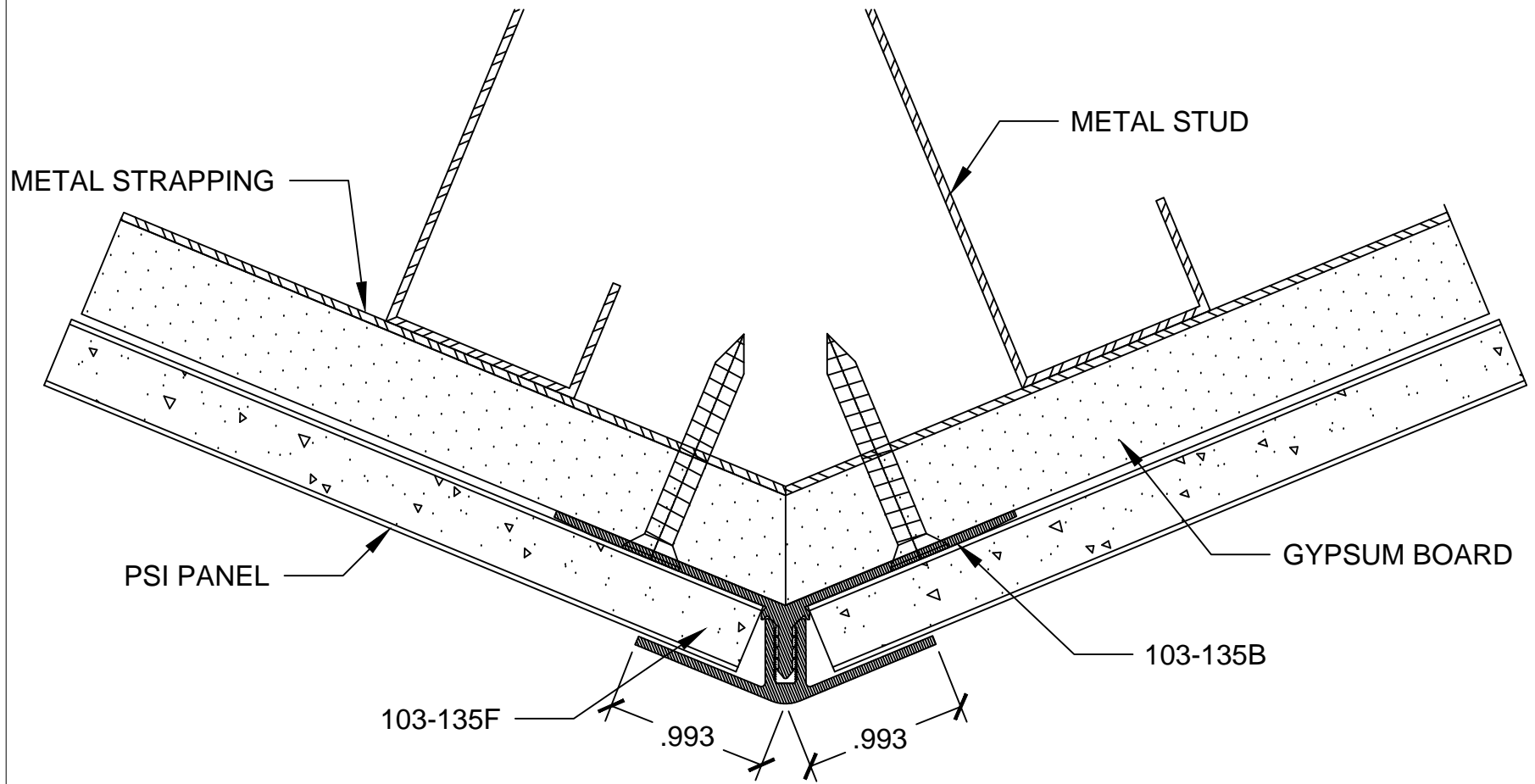
#604 ANGLED INSIDE CORNER

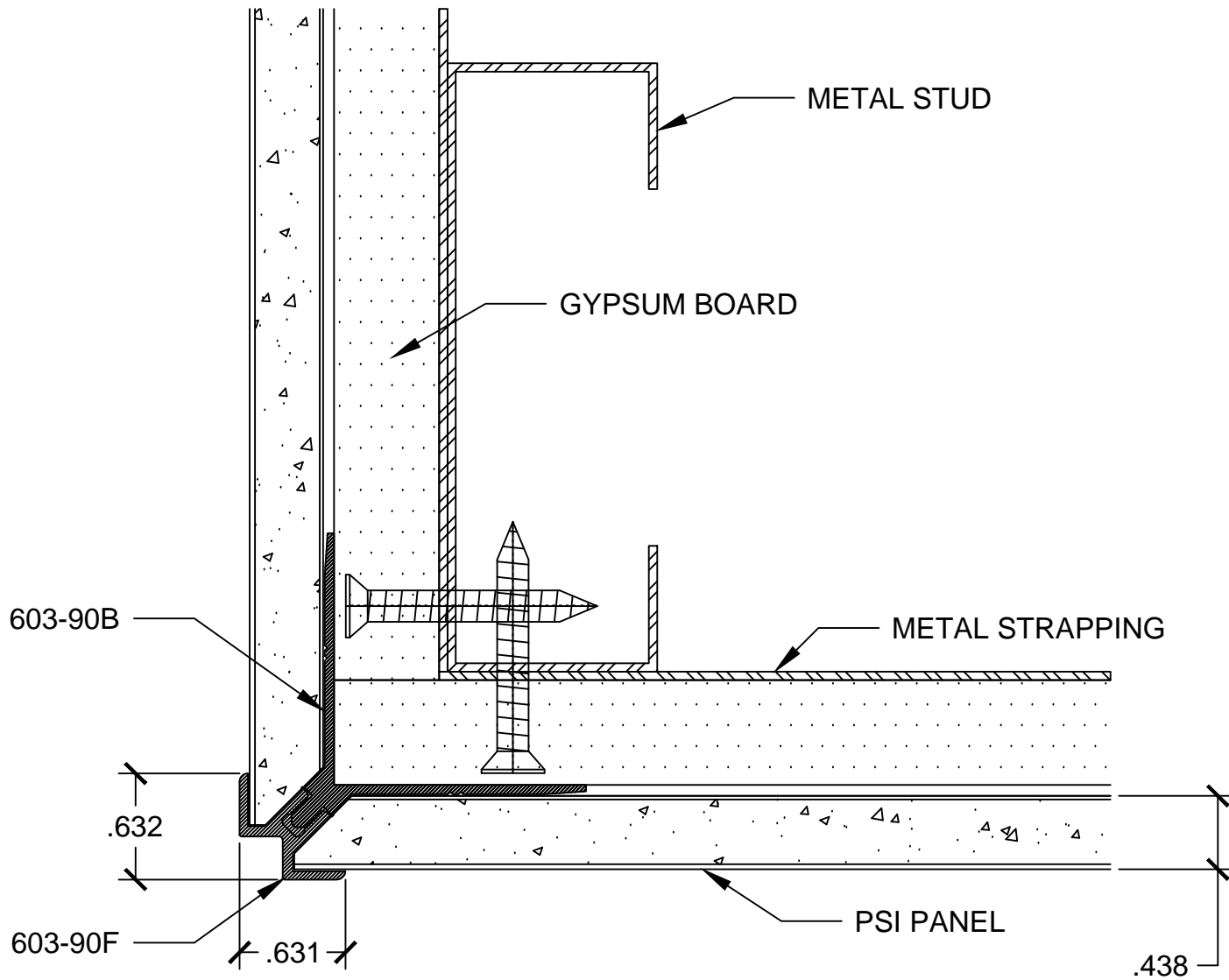
TOP VIEW



#103-90 OUTSIDE CORNER

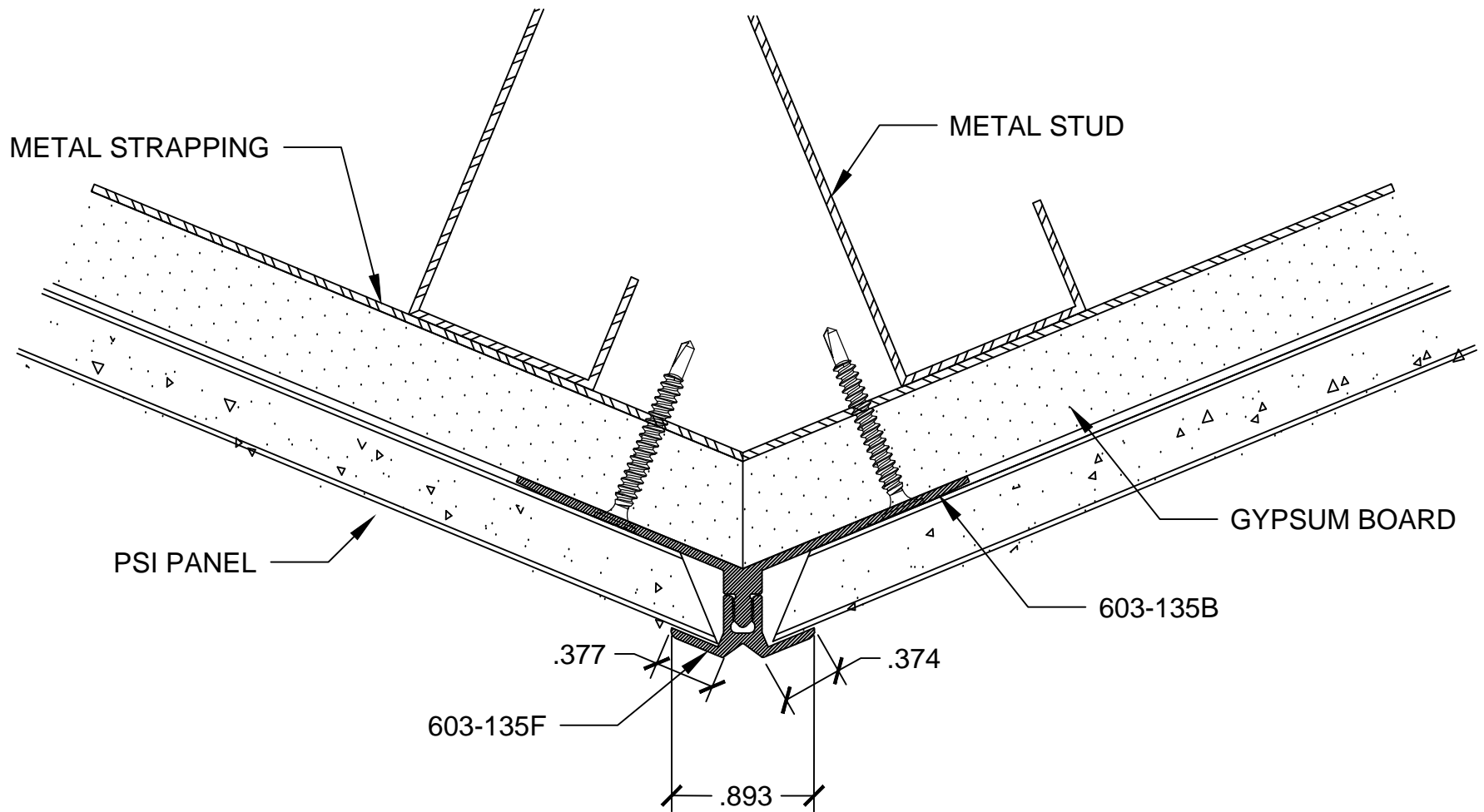
TOP VIEW





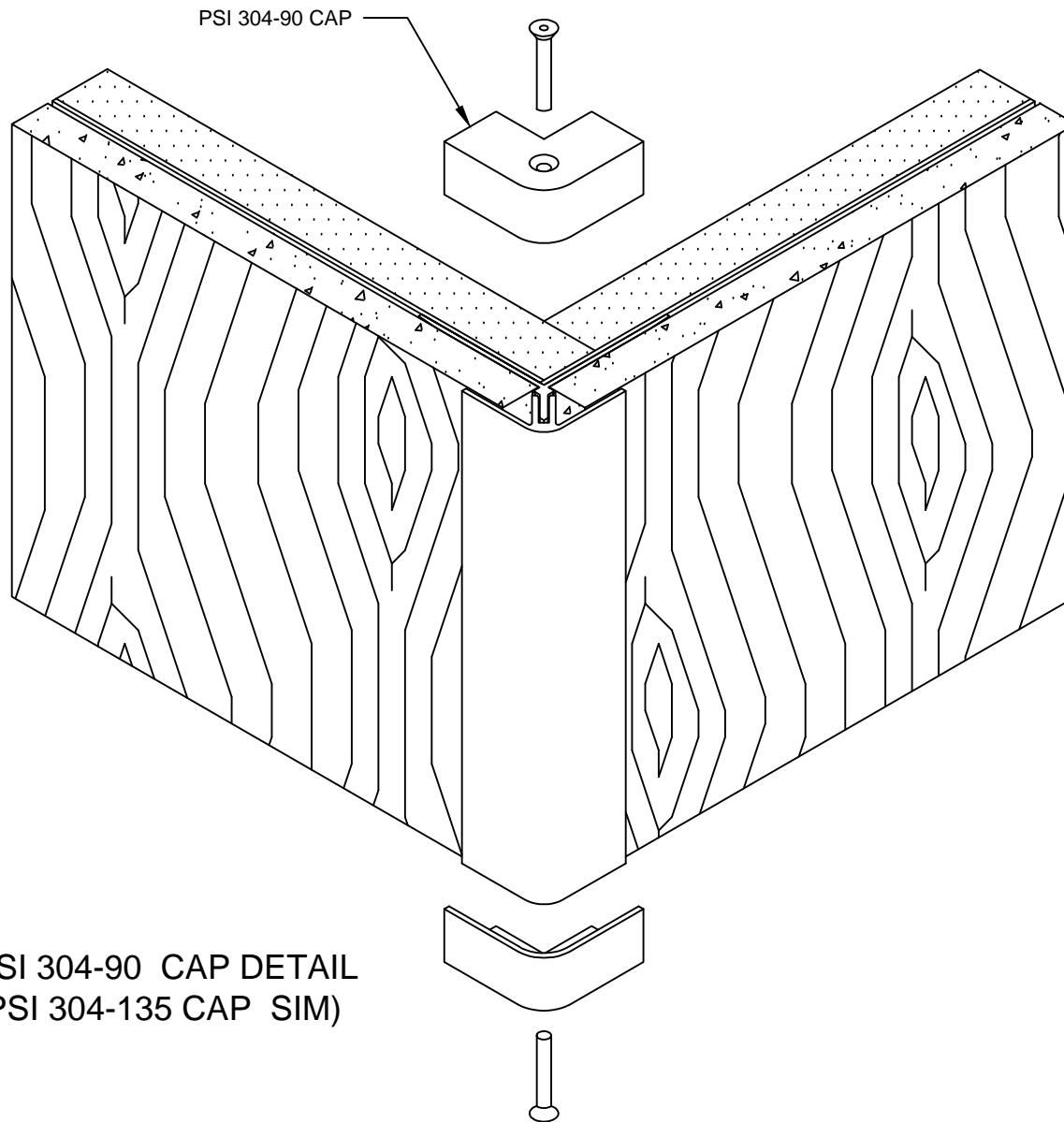
#603-90 OUTSIDE CORNER

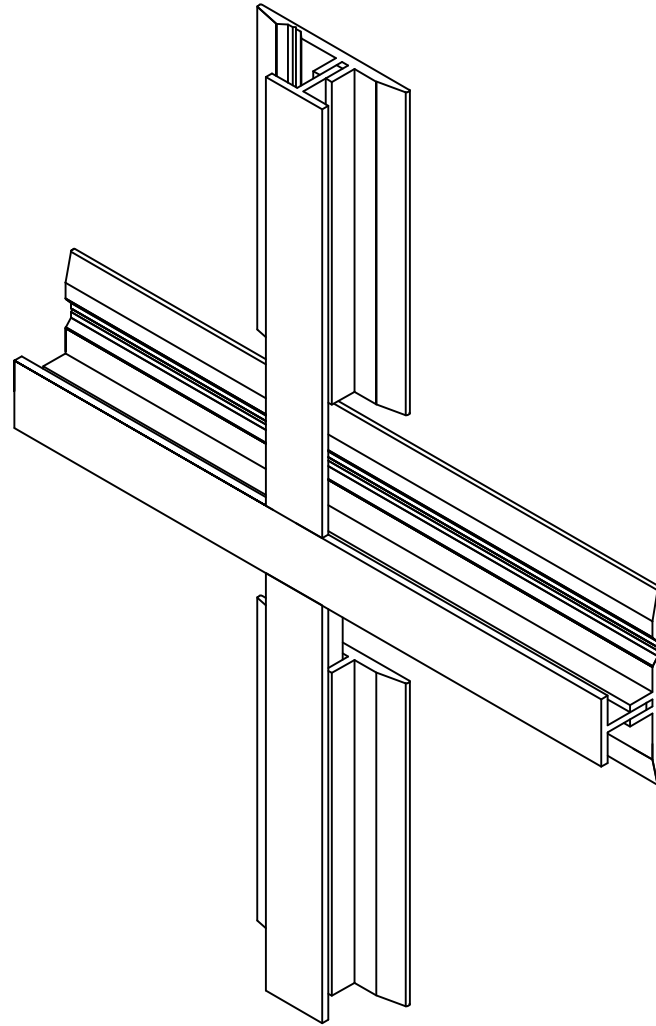
TOP VIEW



#603-135 OUTSIDE CORNER

TOP VIEW

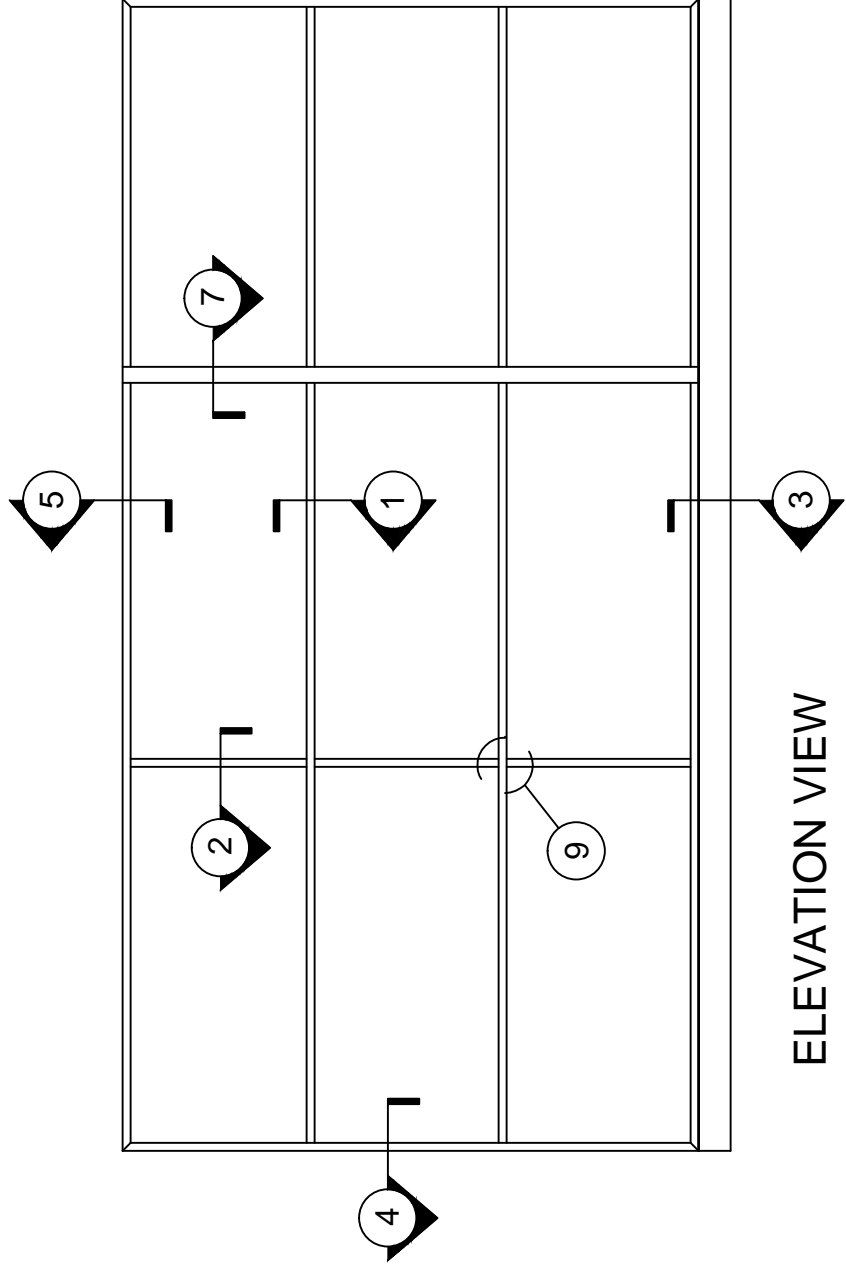




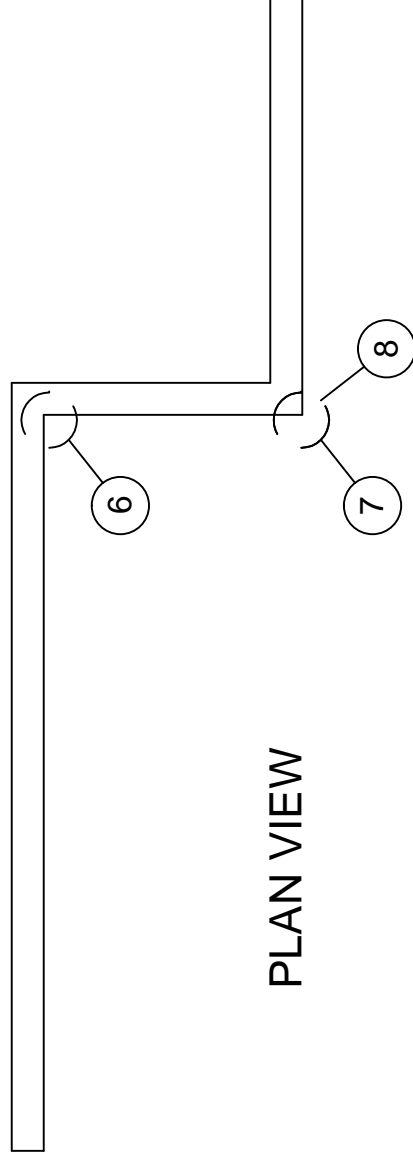
#410A REVEAL INTERSECTION DETAIL

ISOMETRIC VIEW

PANEL SPECIALISTS INC.
WALL PANEL SYSTEM 410



ELEVATION VIEW



PLAN VIEW