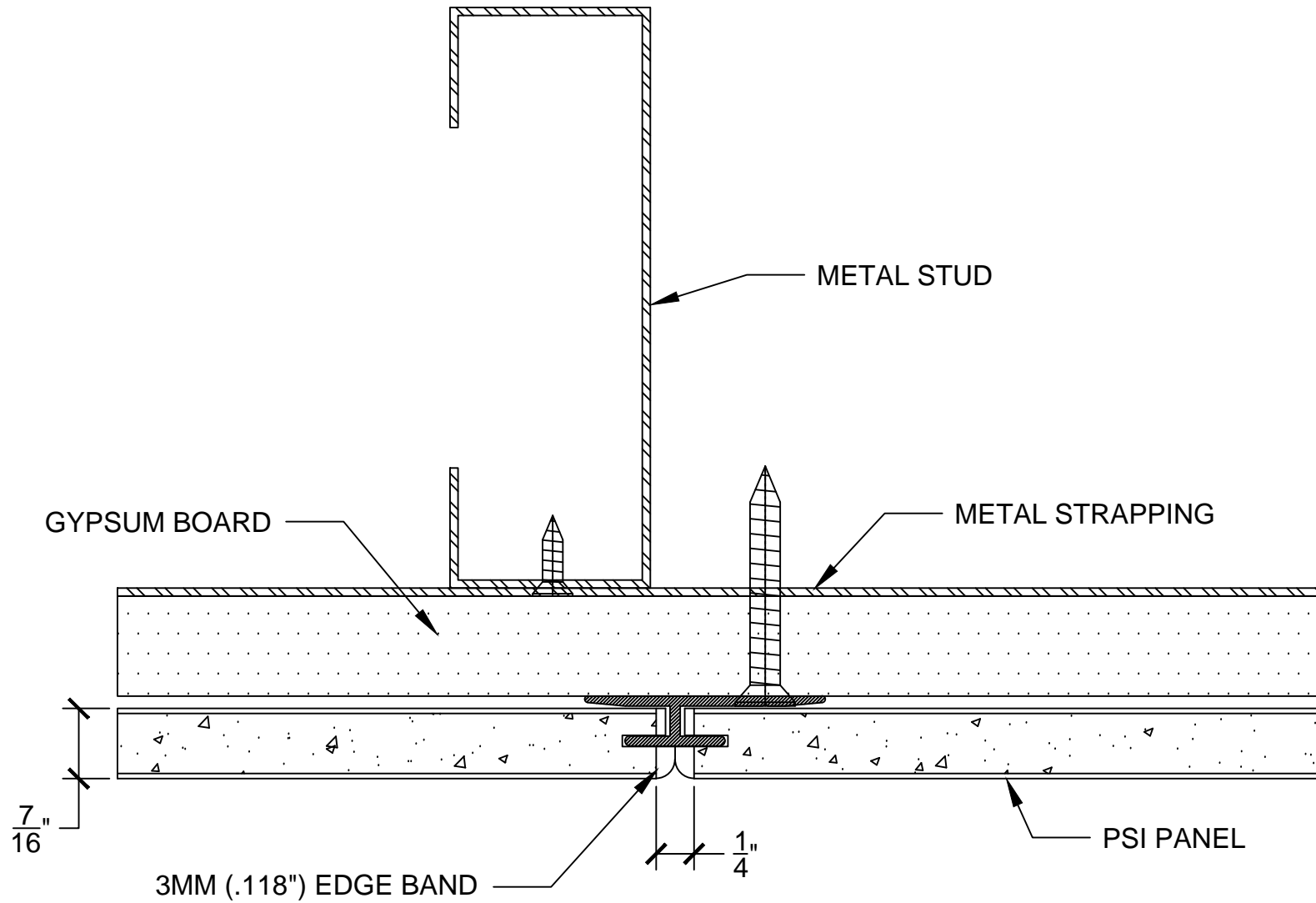
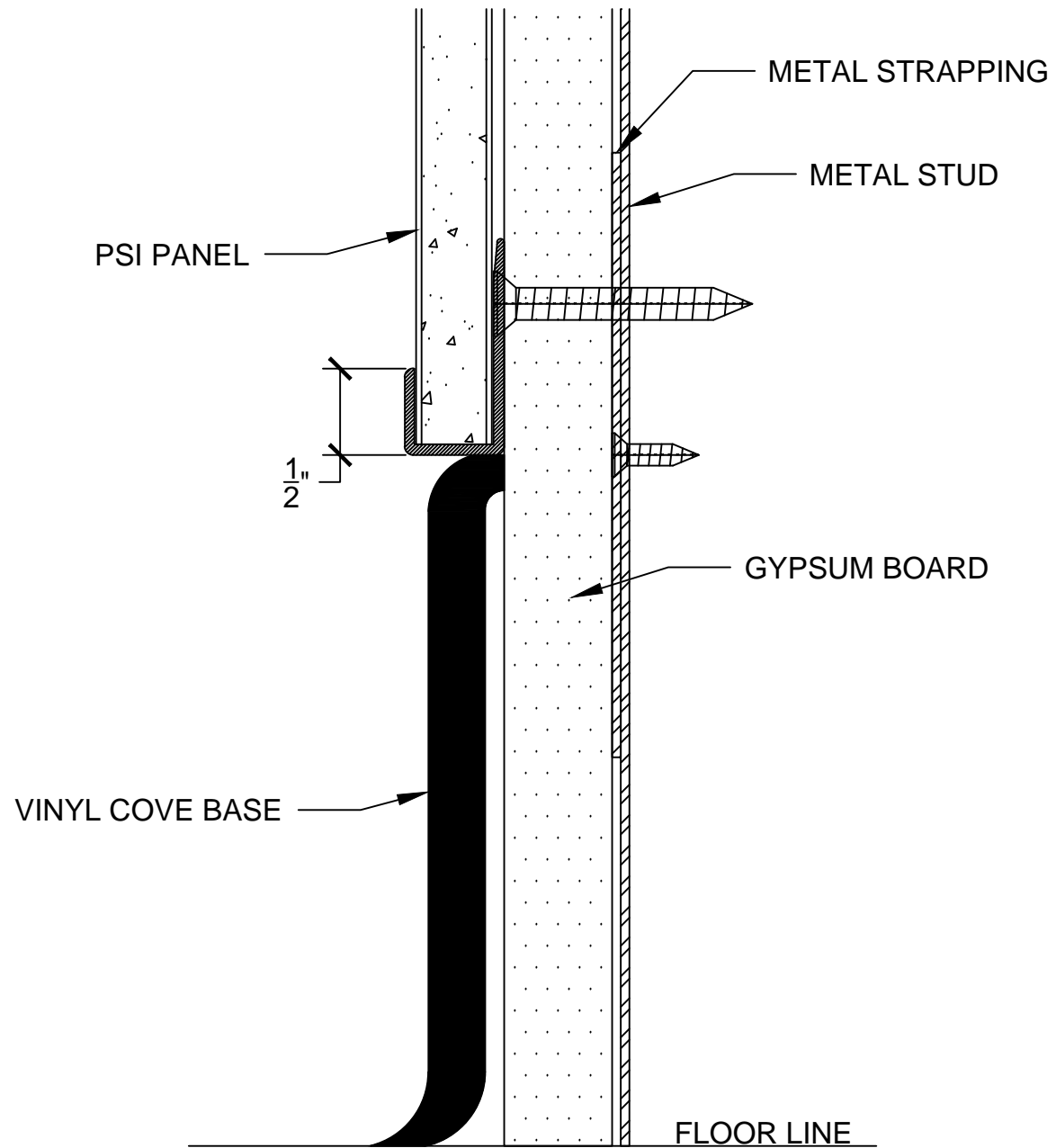


#410A HORIZONTAL BATTEN DIVIDER

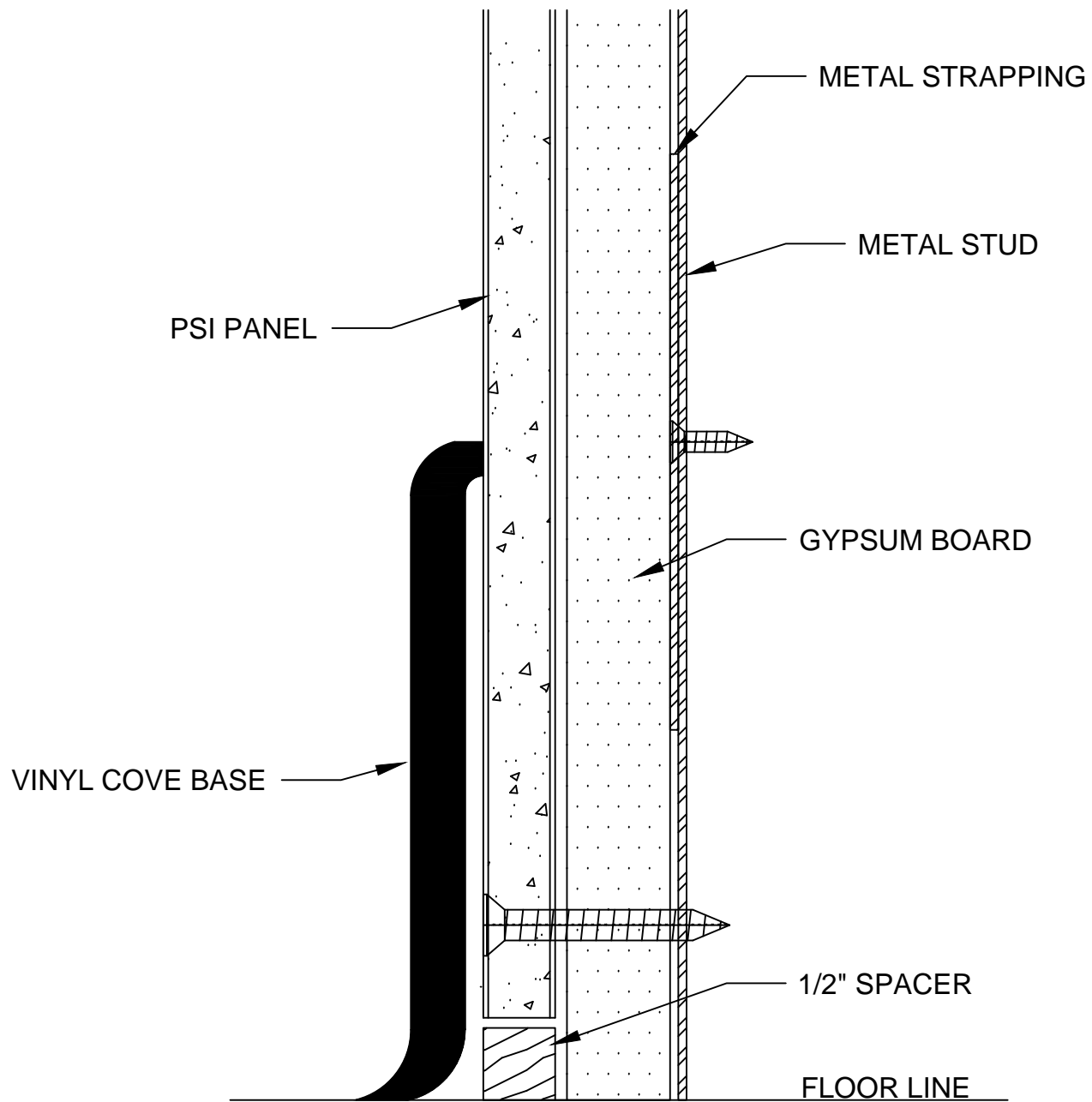
ISOMETRIC VIEW





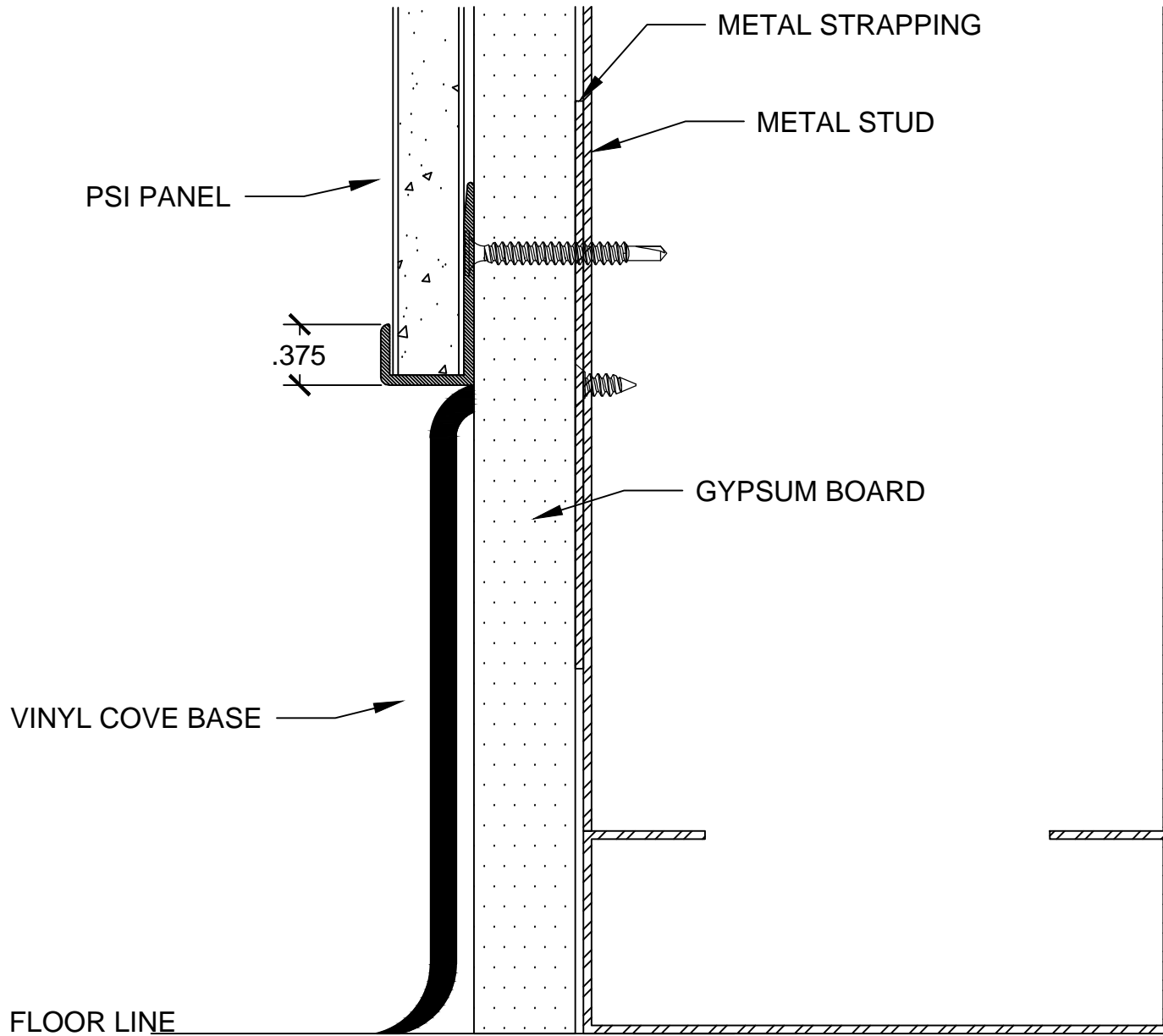
#304 HORIZONTAL TRIM - ABOVE BASE

RIGHT SIDE VIEW



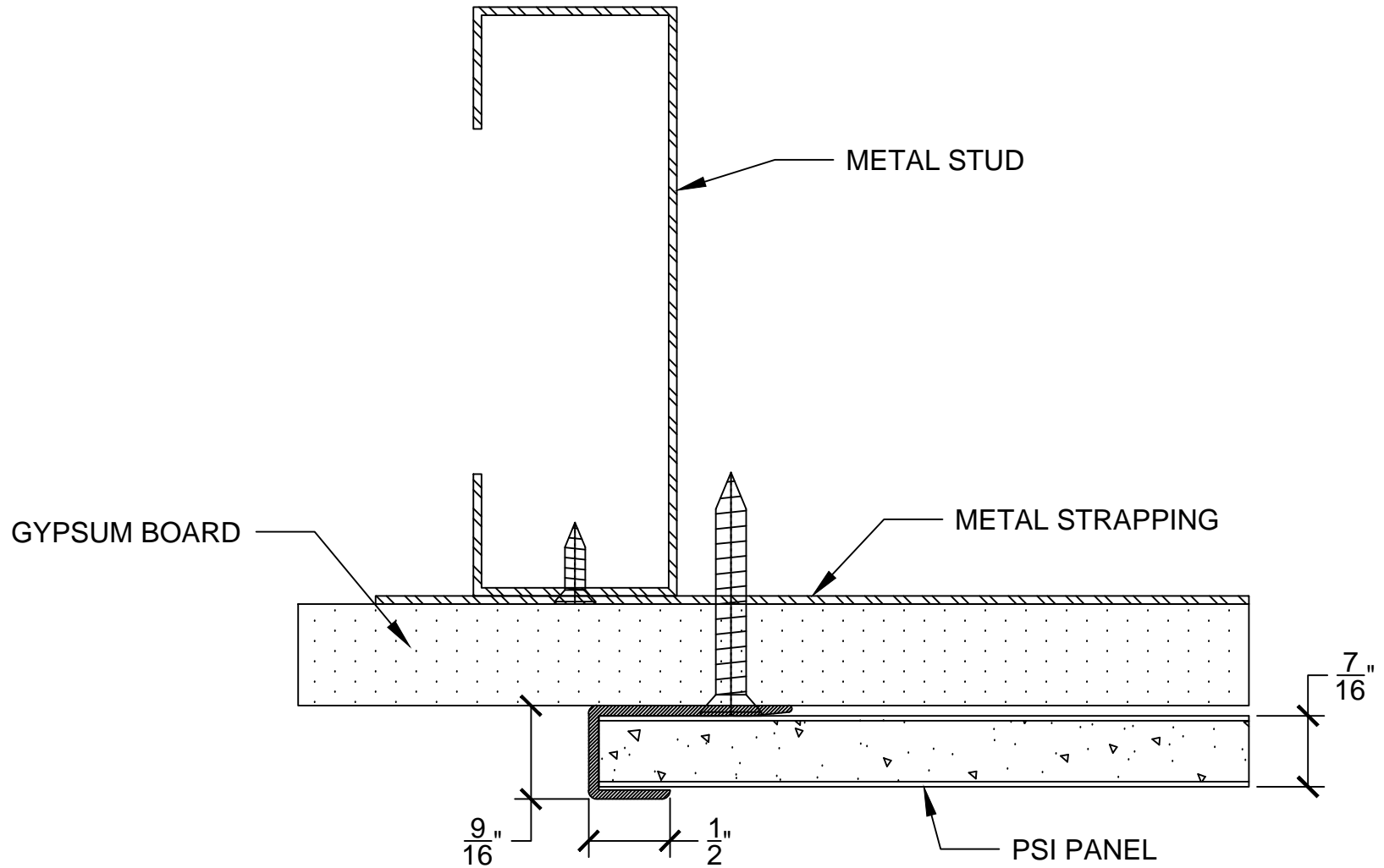
ALTERNATE - BEHIND BASE

RIGHT SIDE VIEW



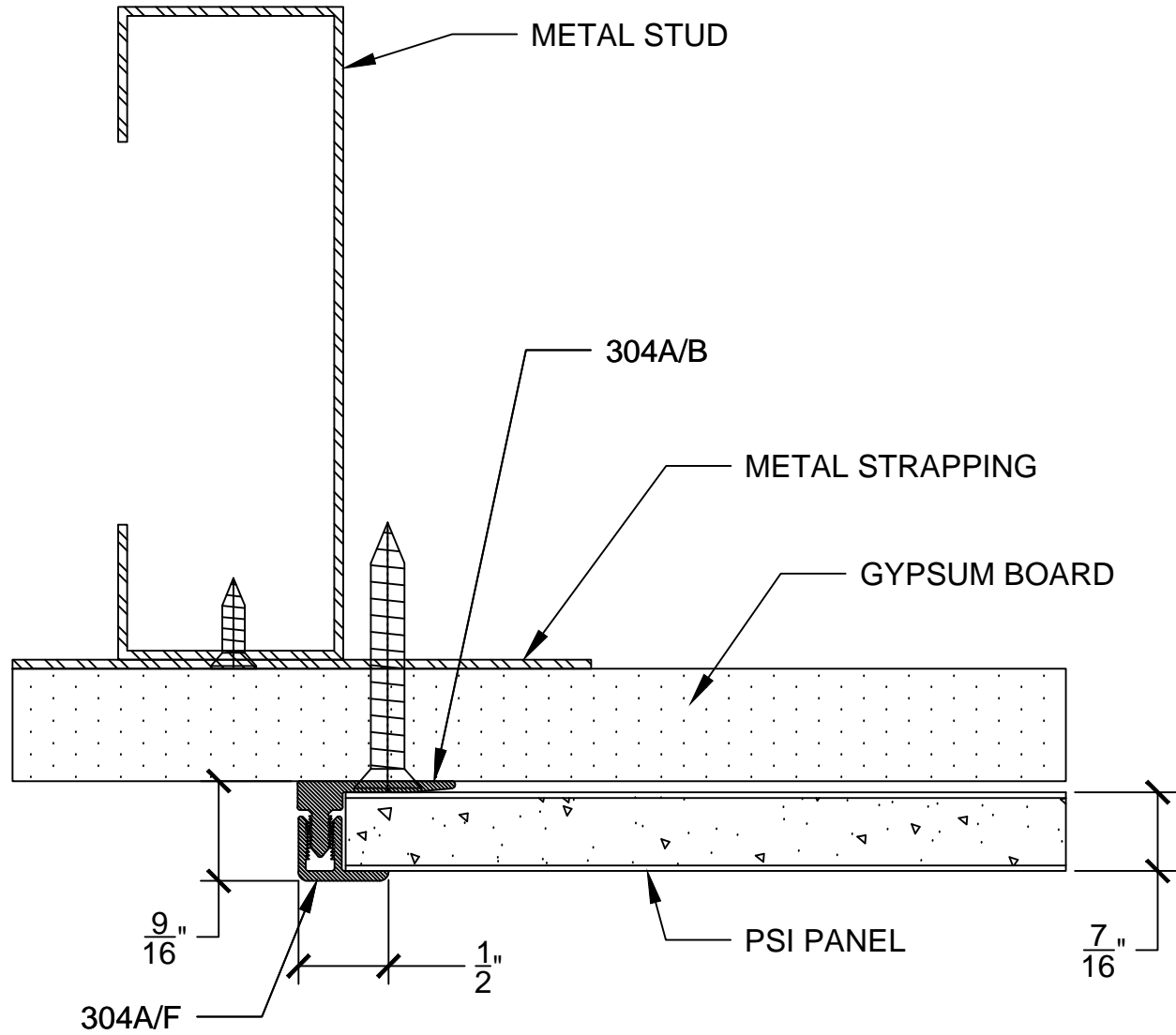
#604 HORIZONTAL TRIM - ABOVE BASE

RIGHT SIDE VIEW



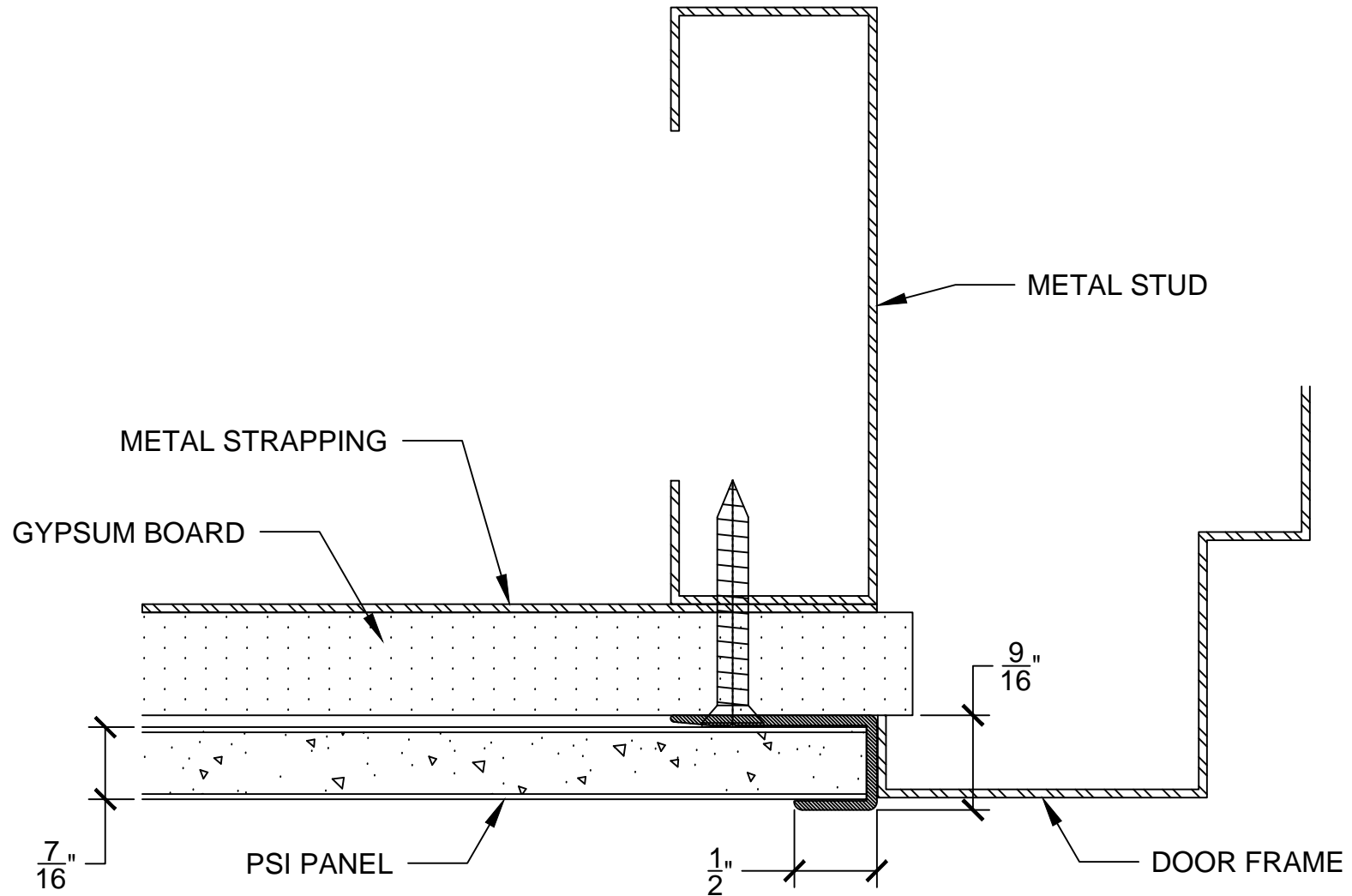
#304 VERTICAL EDGE TRIM

TOP VIEW



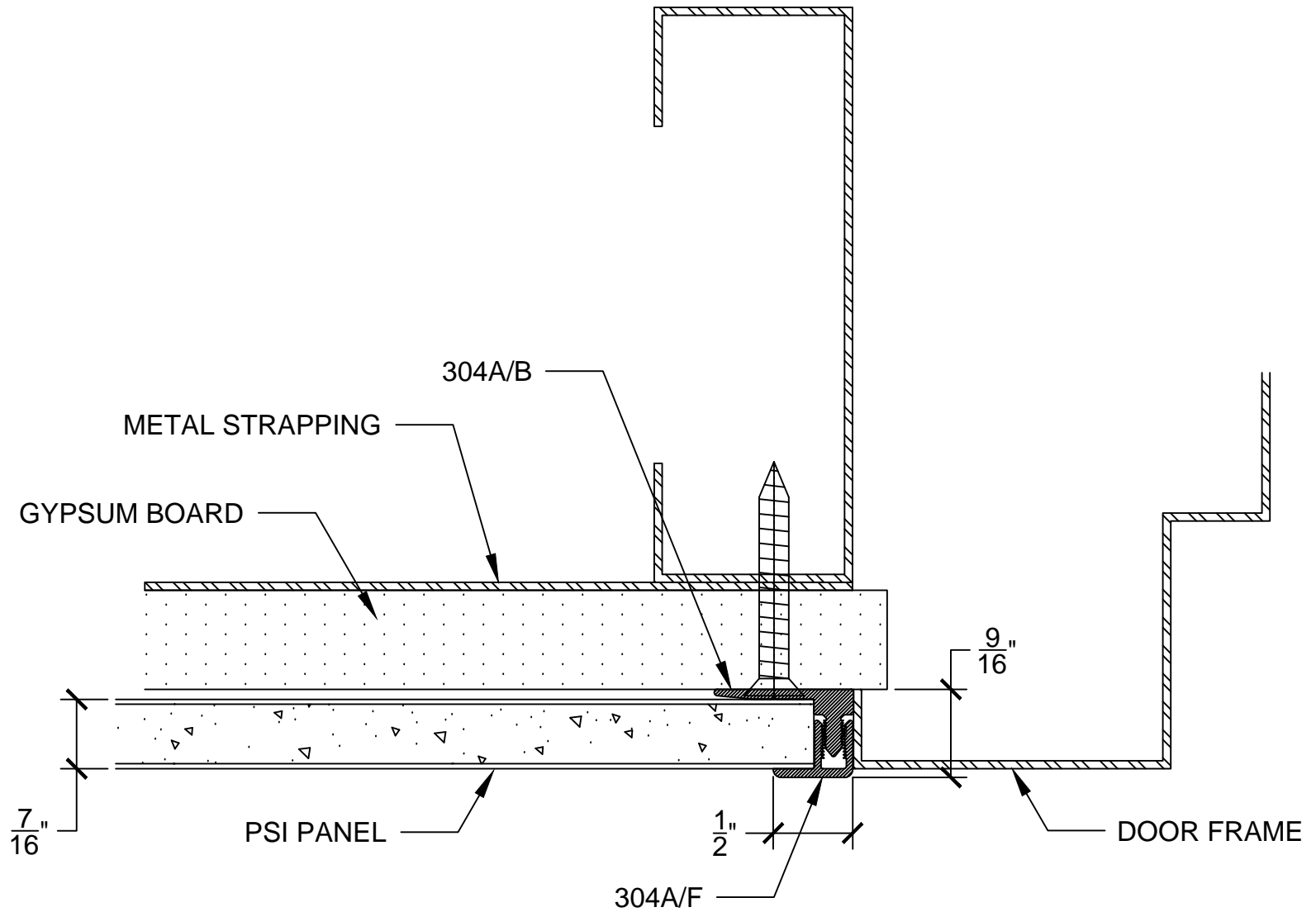
#304A VERTICAL EDGE TRIM

TOP VIEW



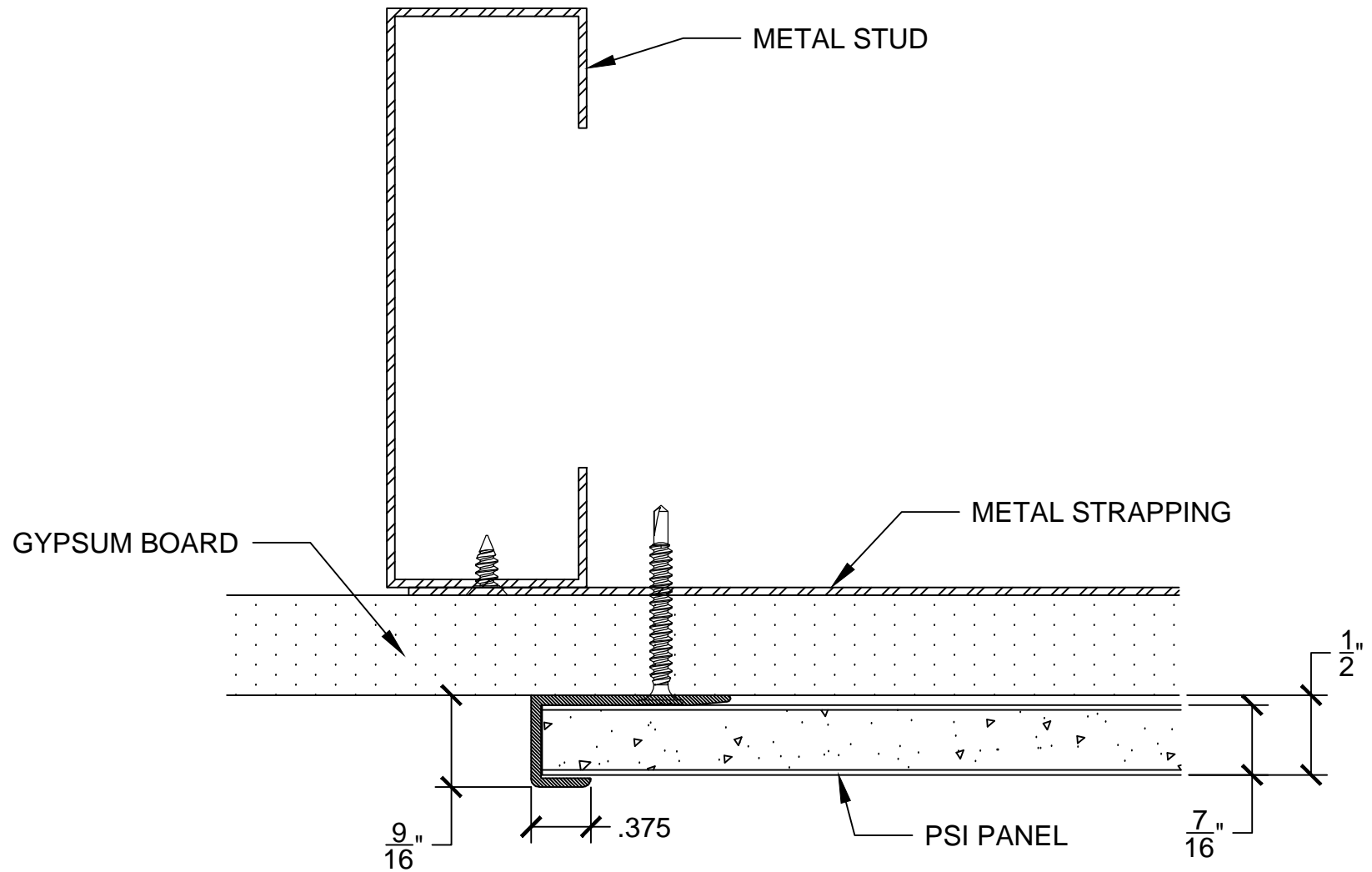
#304 EDGE TRIM @ DOOR OR WINDOW FRAME

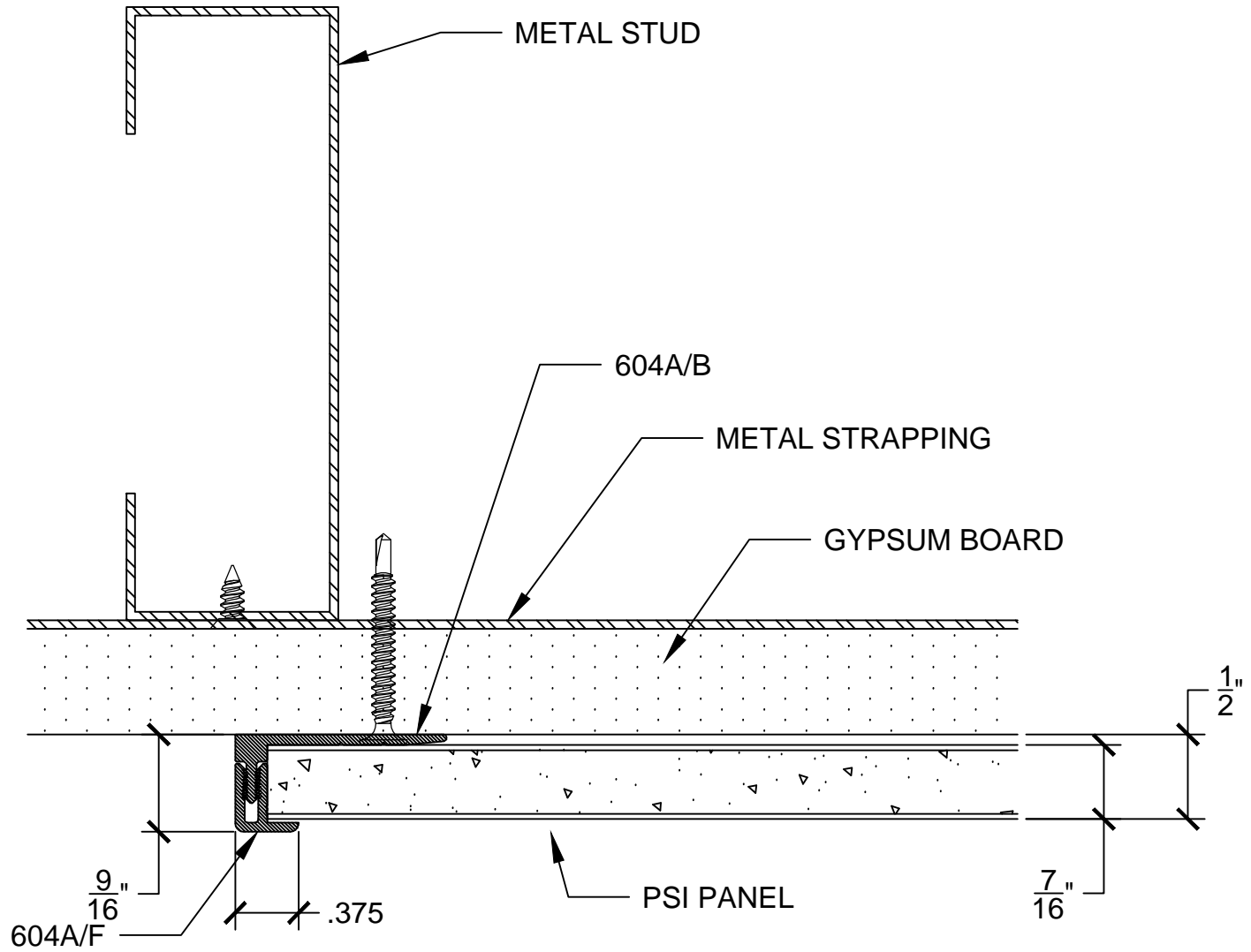
TOP VIEW



#304A EDGE TRIM @ DOOR OR WINDOW FRAME

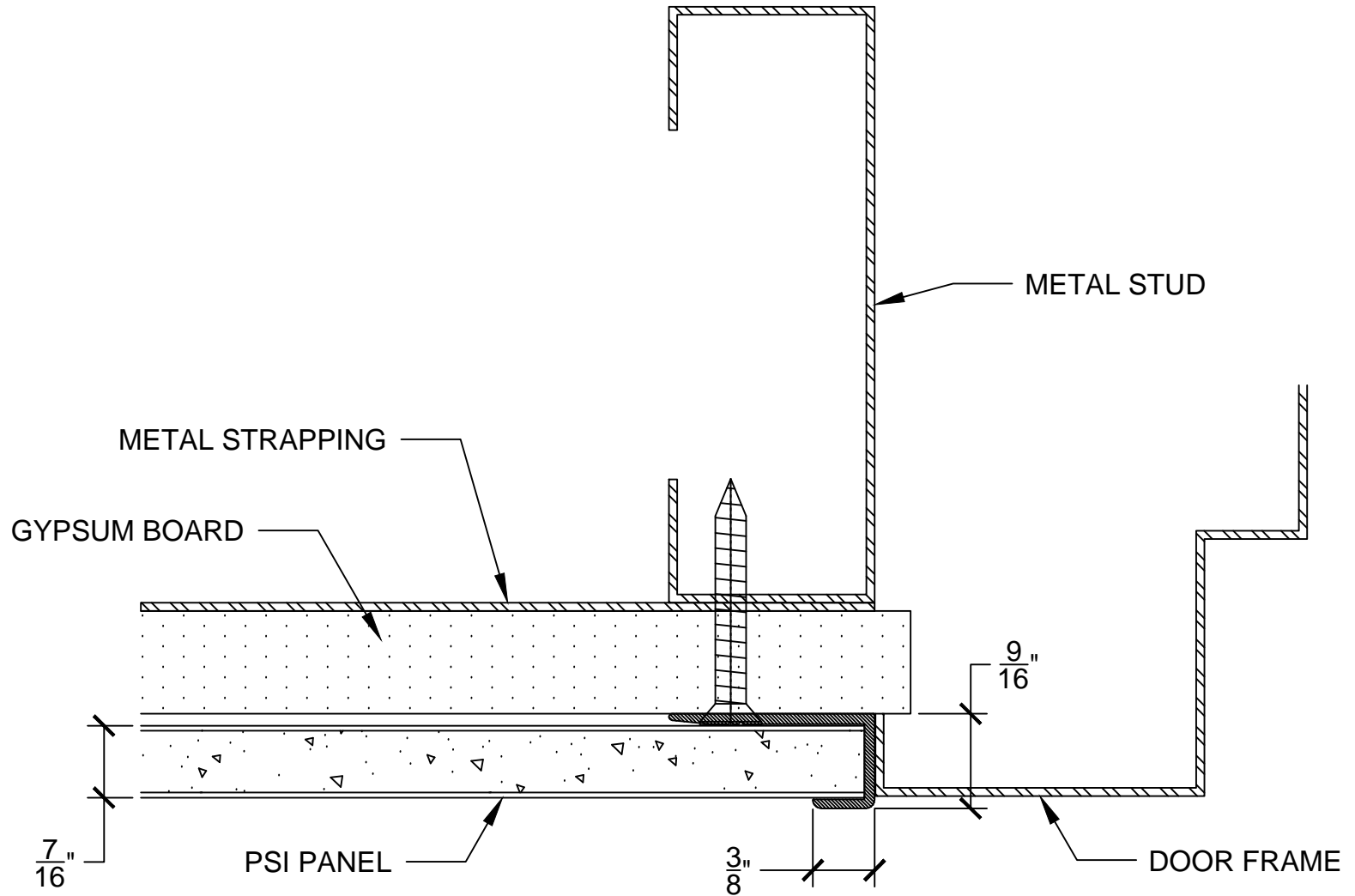
TOP VIEW





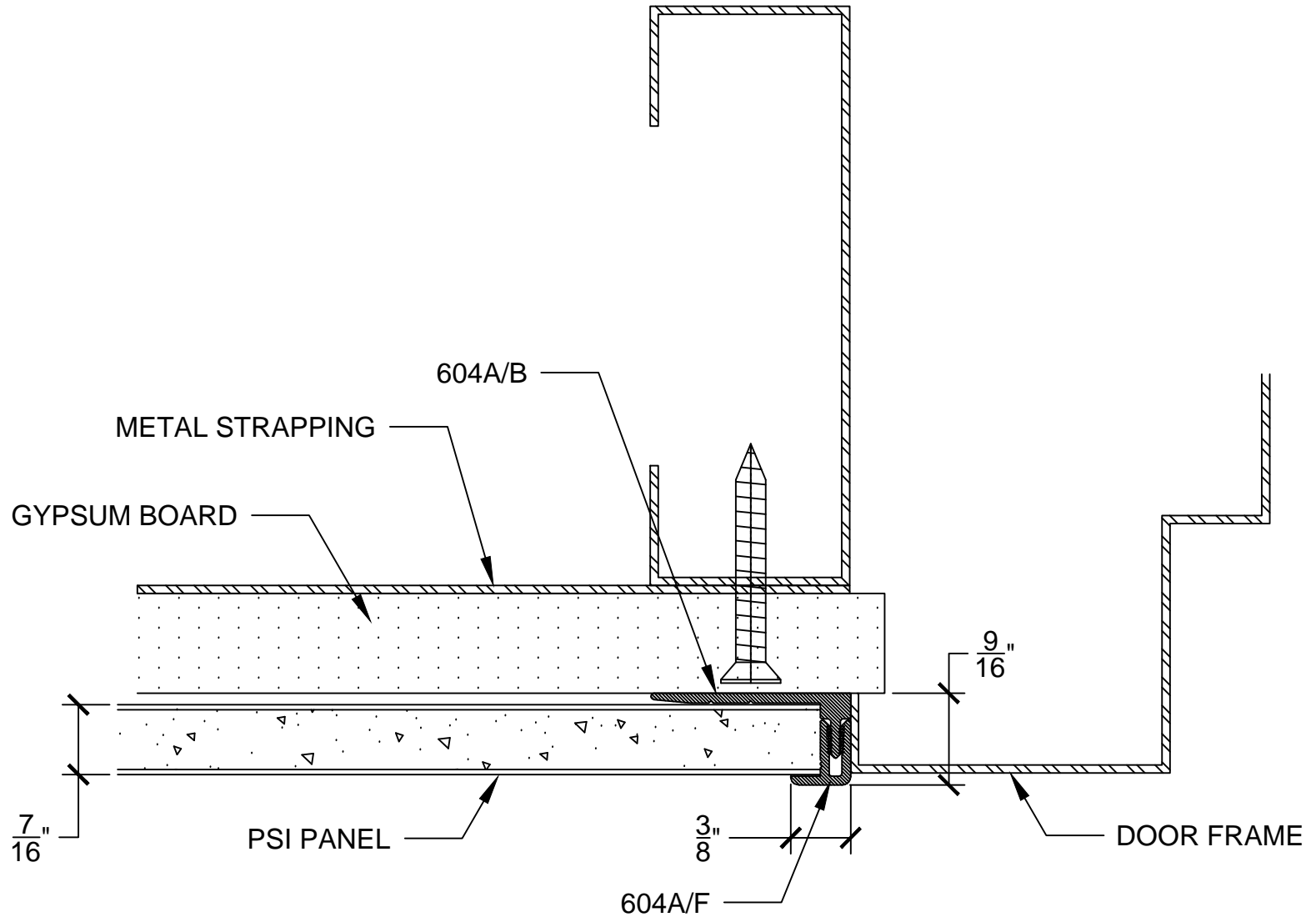
#604A VERTICAL EDGE TRIM

TOP VIEW



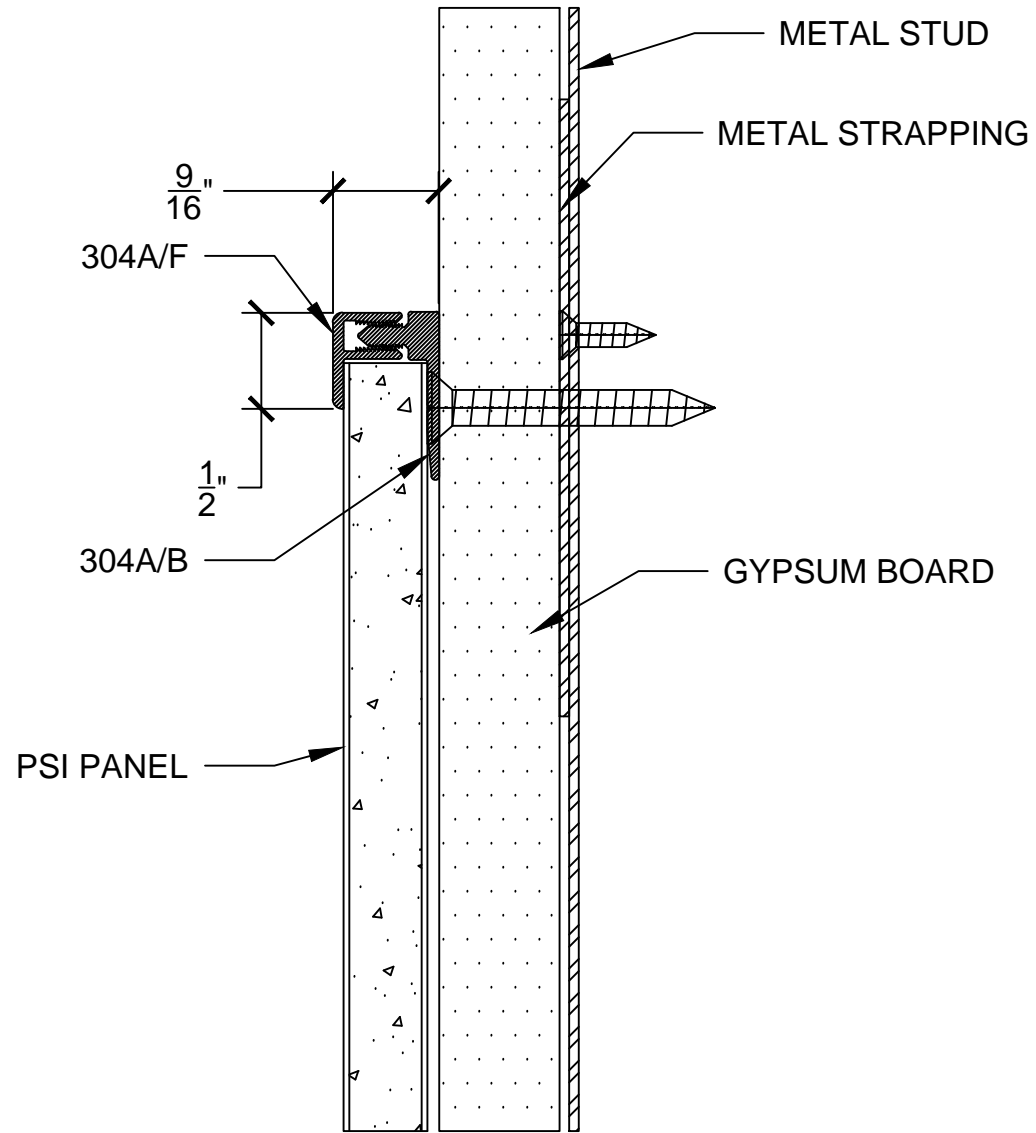
#604 EDGE TRIM @ DOOR OR WINDOW FRAME

TOP VIEW



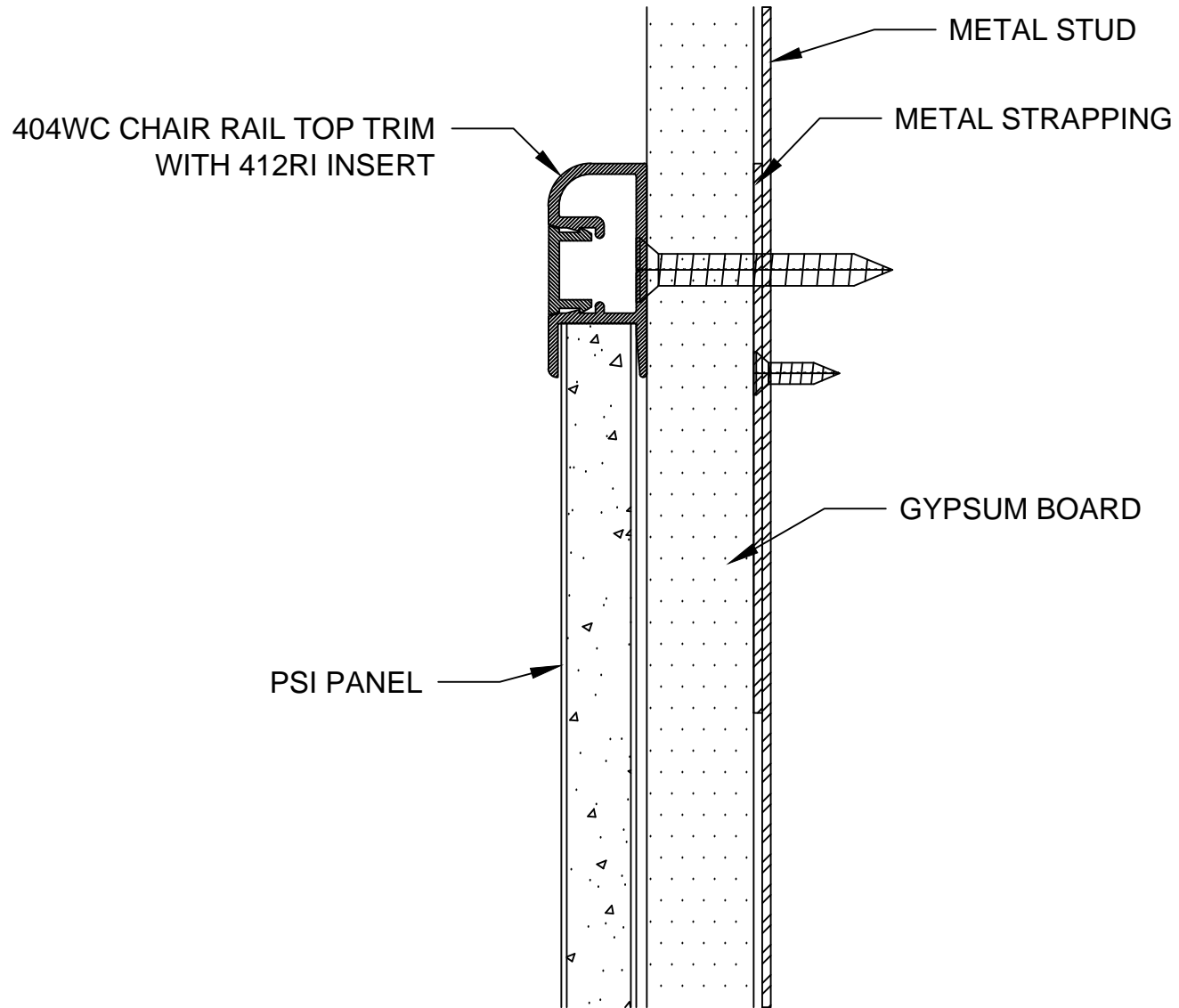
#604A EDGE TRIM @ DOOR OR WINDOW FRAME

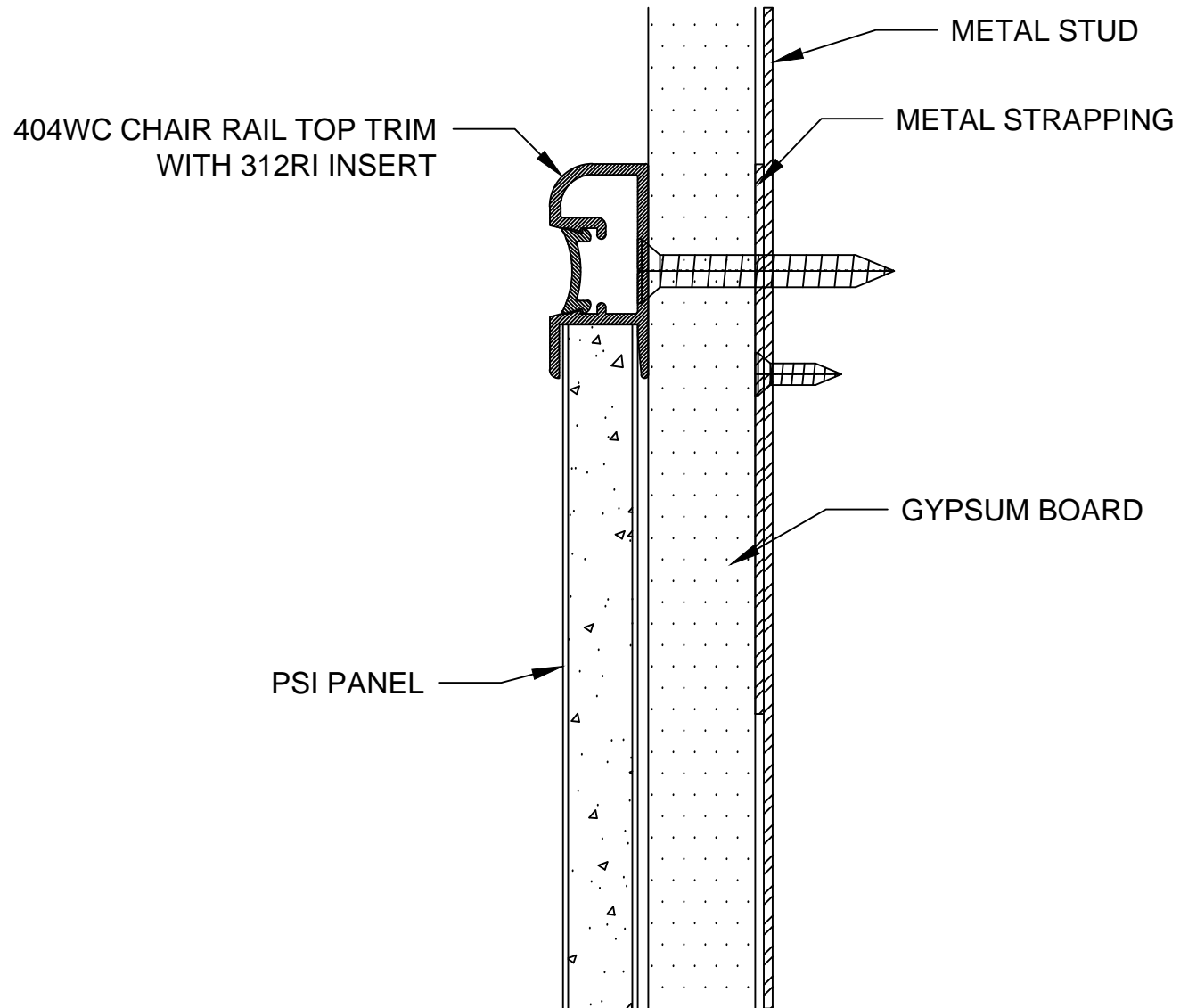
TOP VIEW

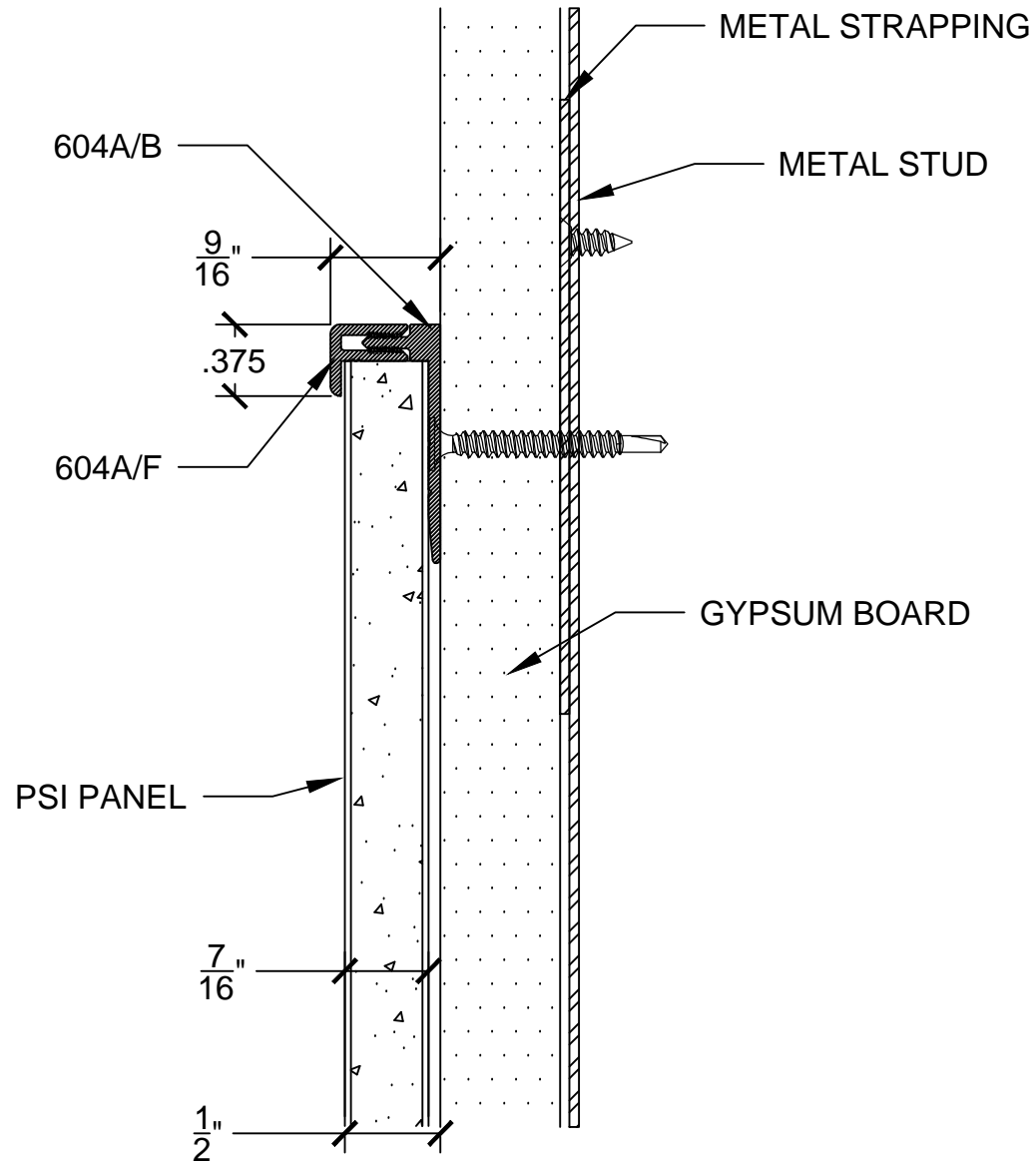


#304A TOP TRIM

RIGHT SIDE VIEW

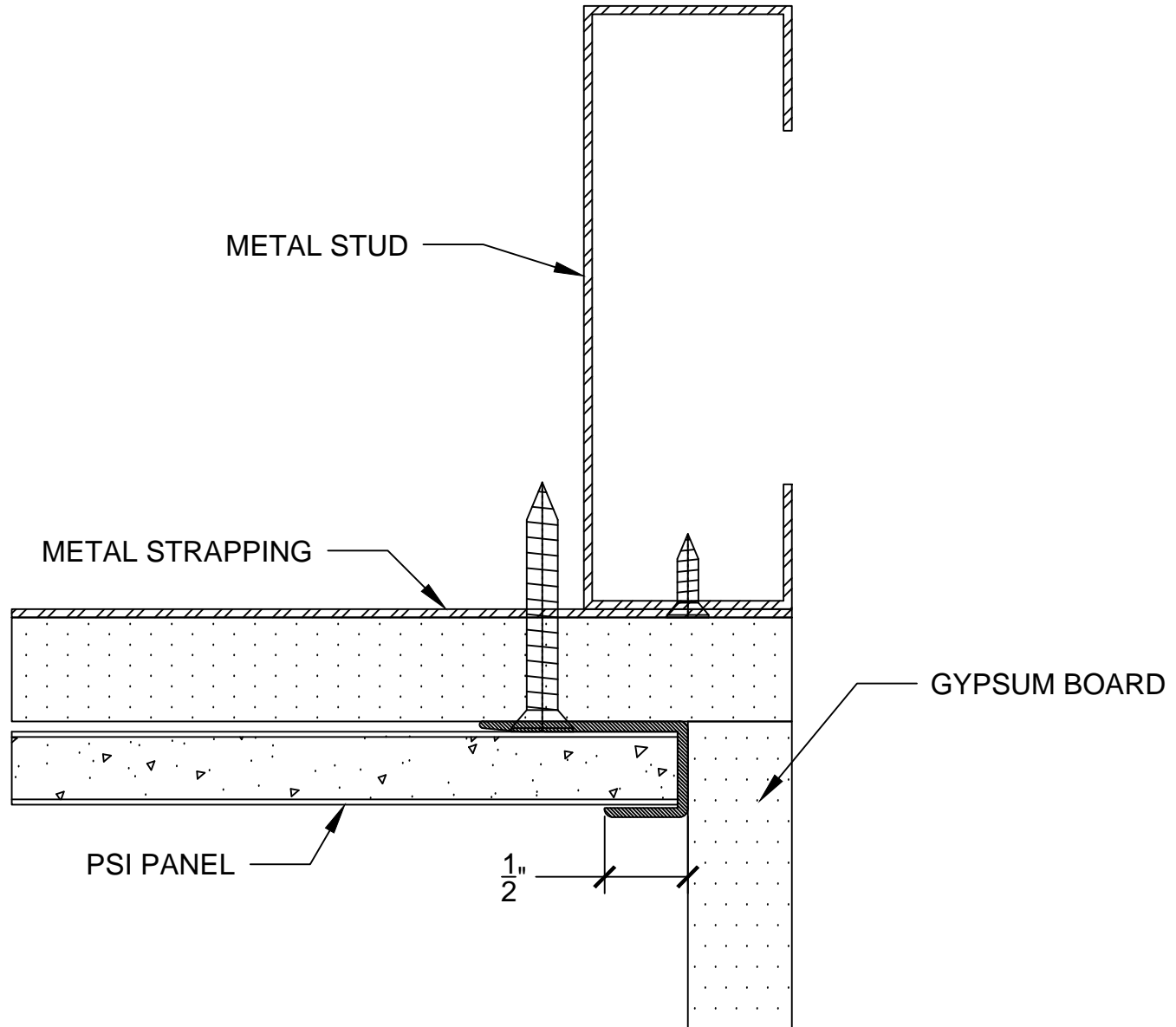


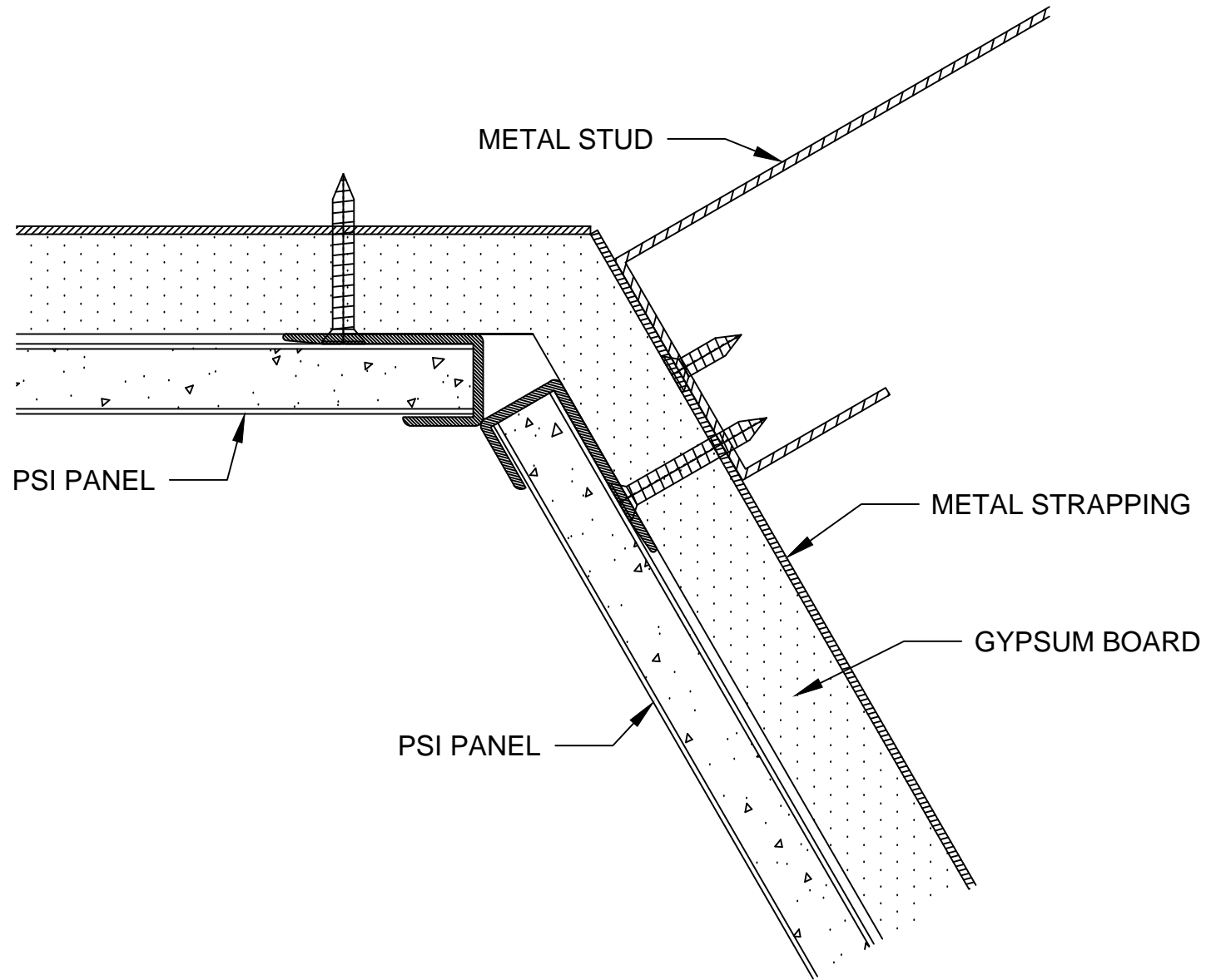




#604A TOP TRIM

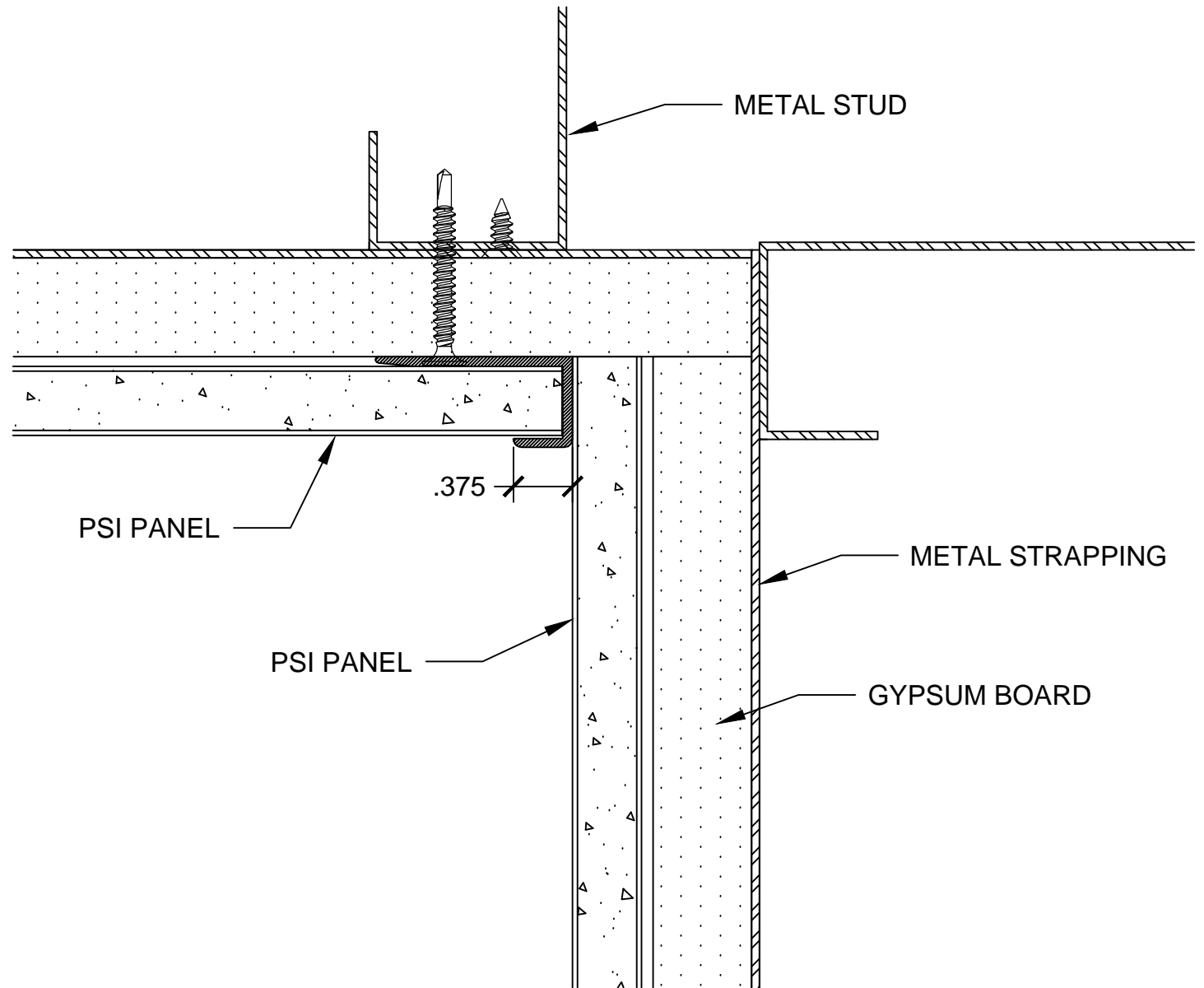
RIGHT SIDE VIEW

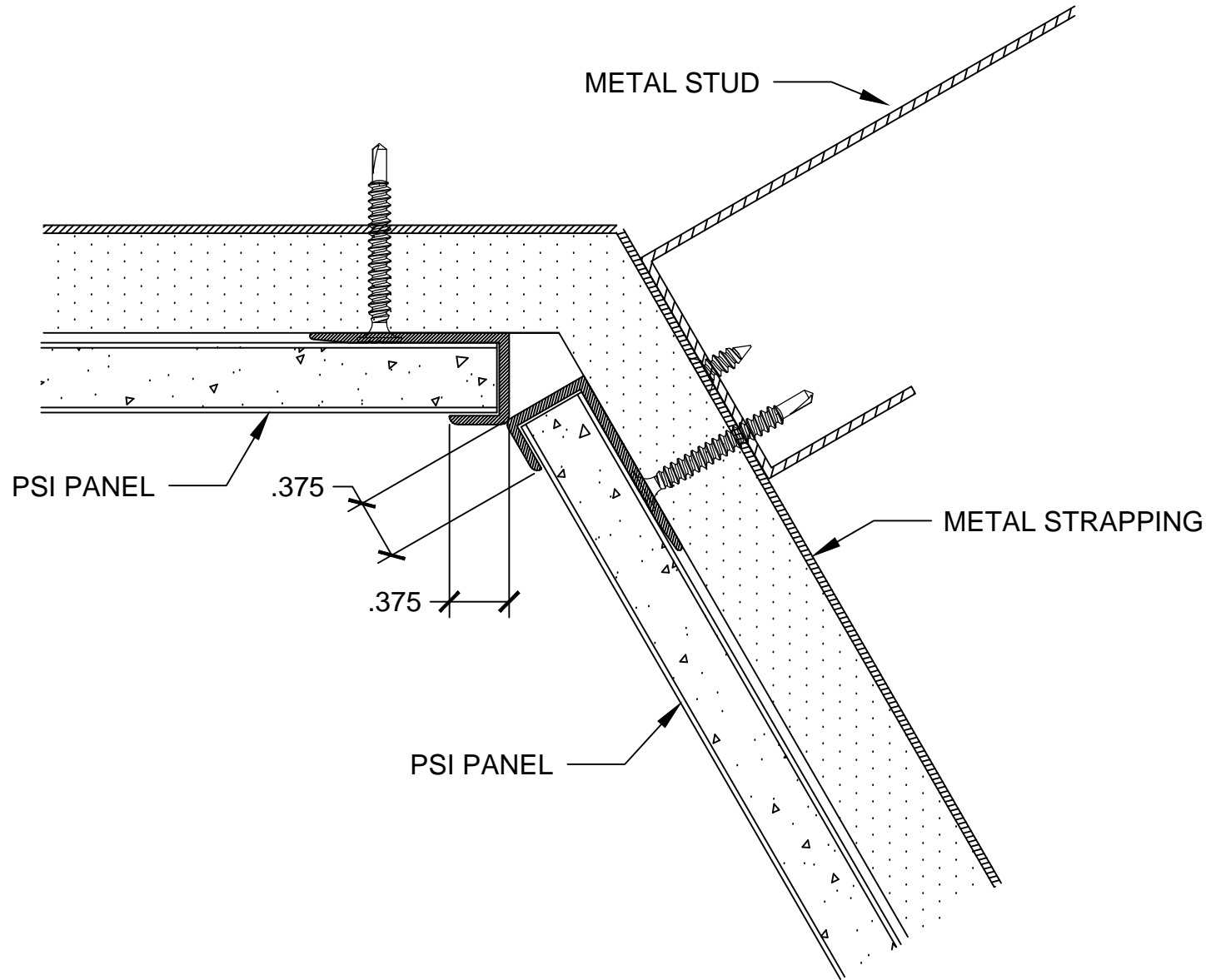




#304 ANGLED INSIDE CORNER

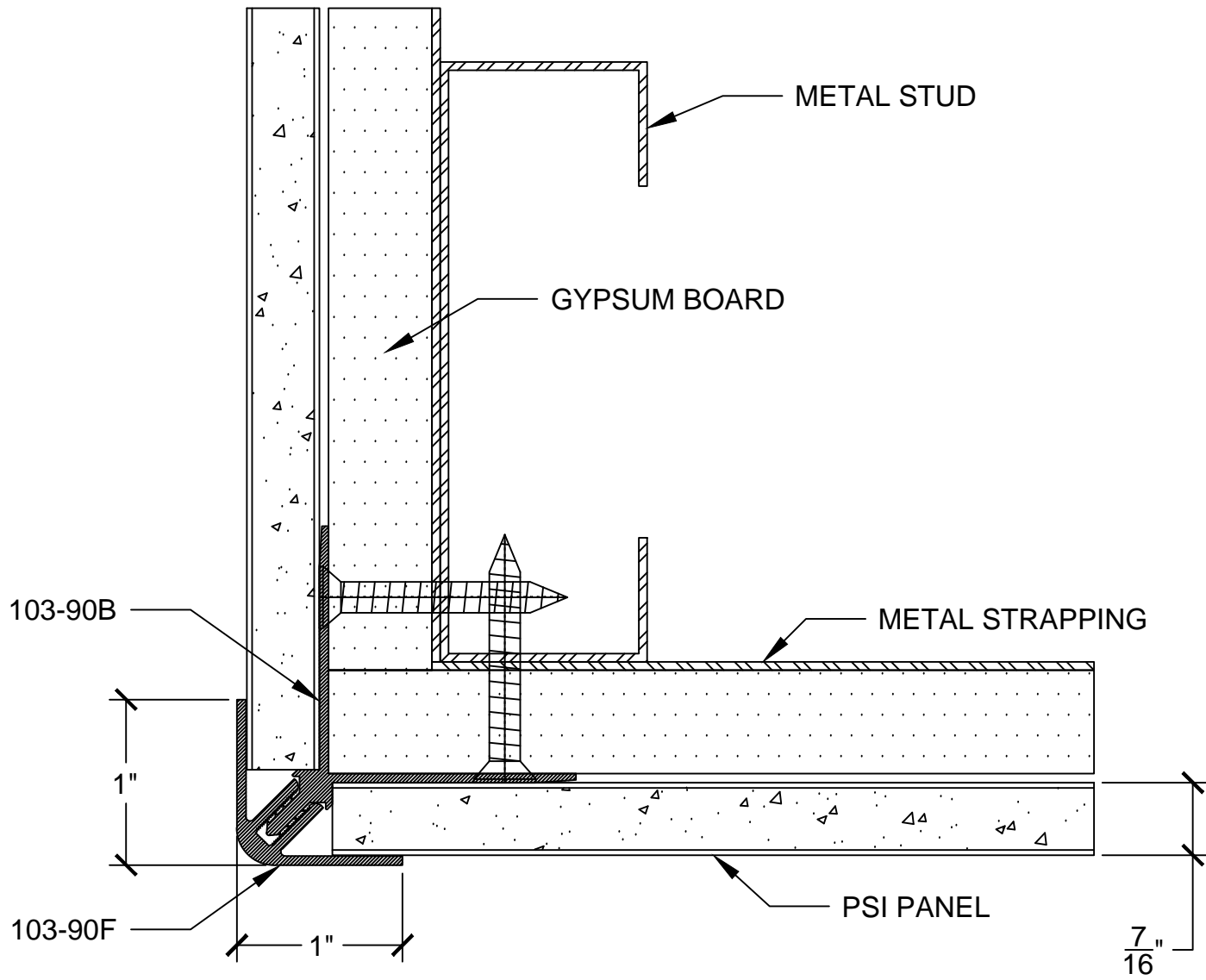
TOP VIEW





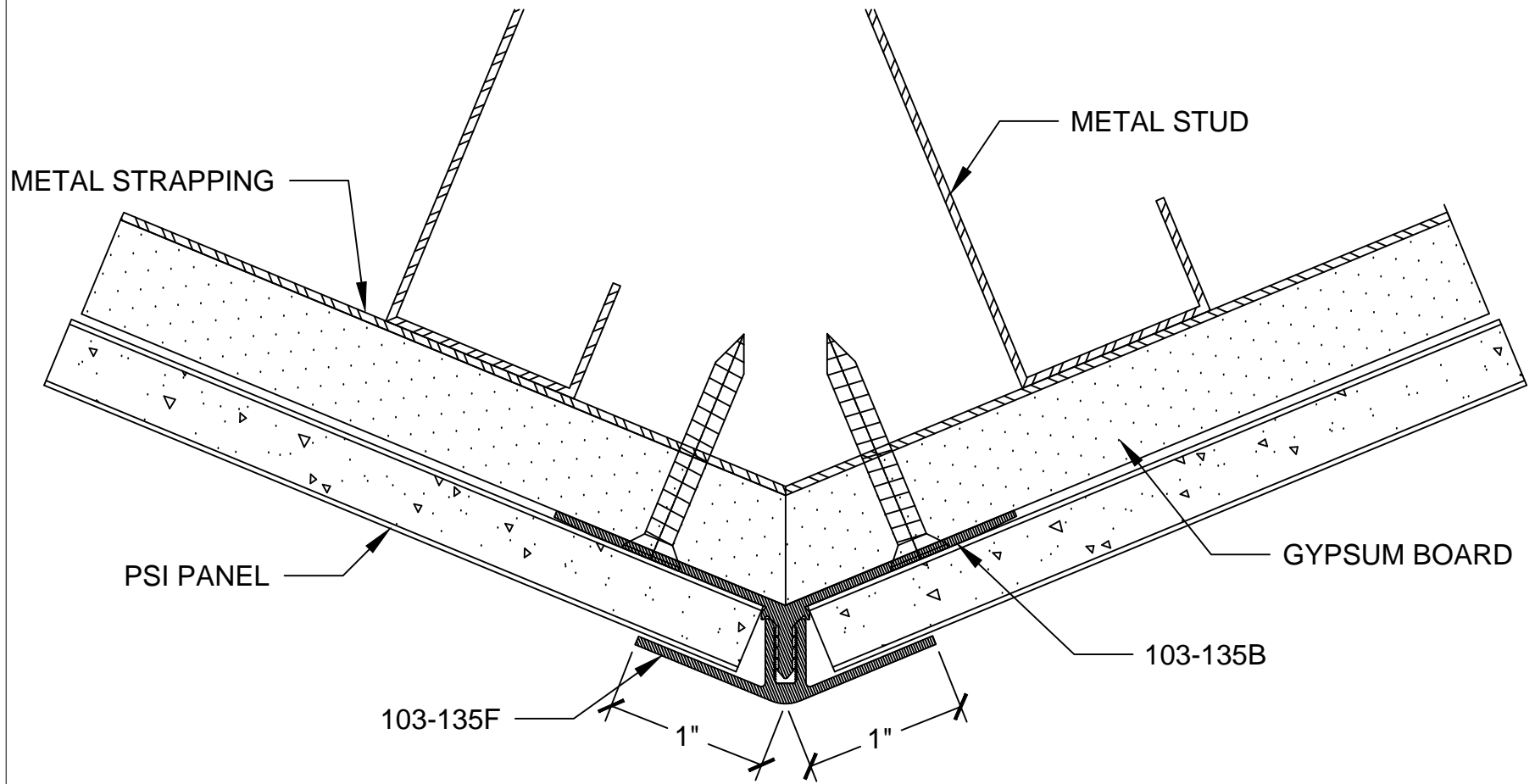
#604 ANGLED INSIDE CORNER

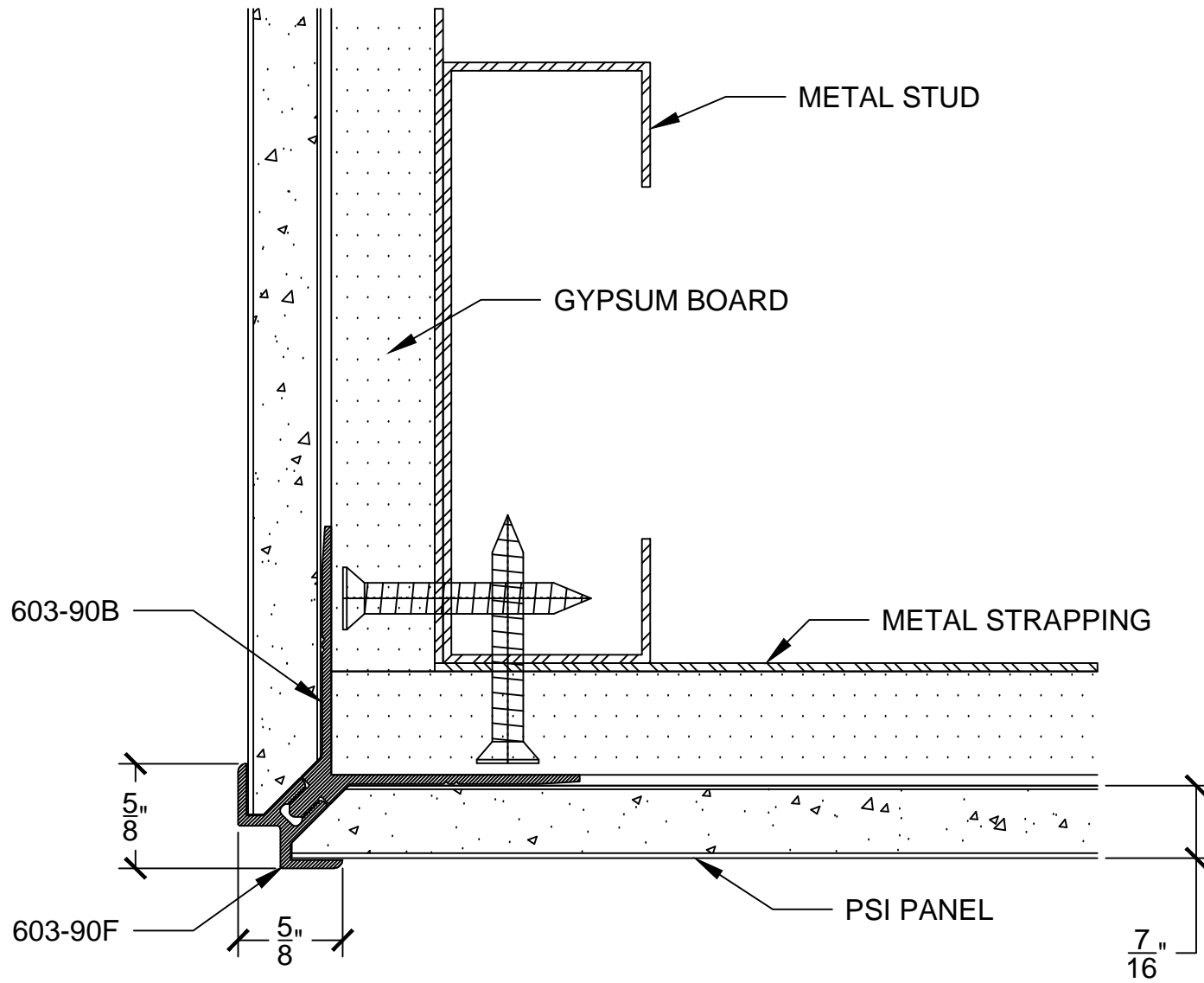
TOP VIEW



#103-90 OUTSIDE CORNER

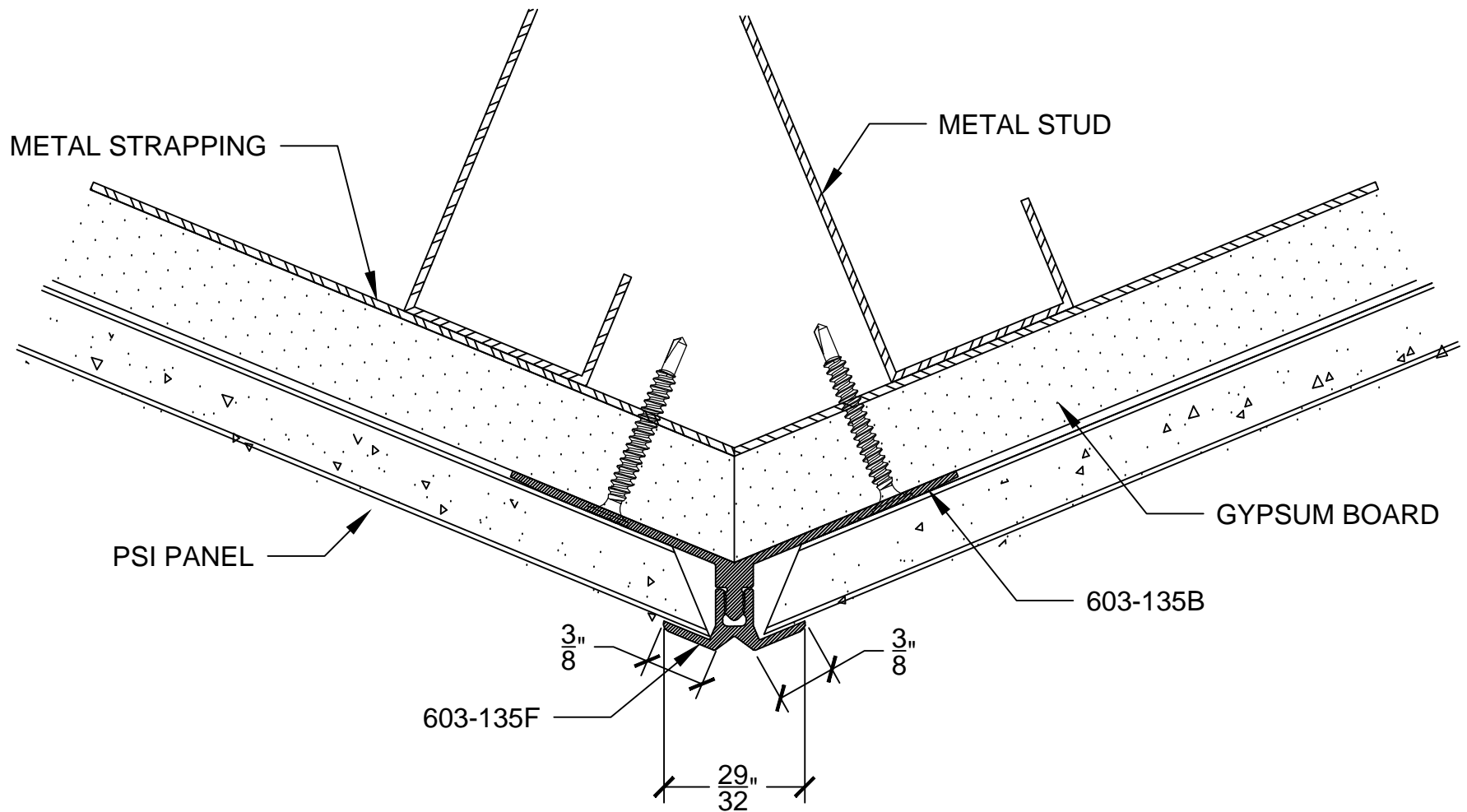
TOP VIEW





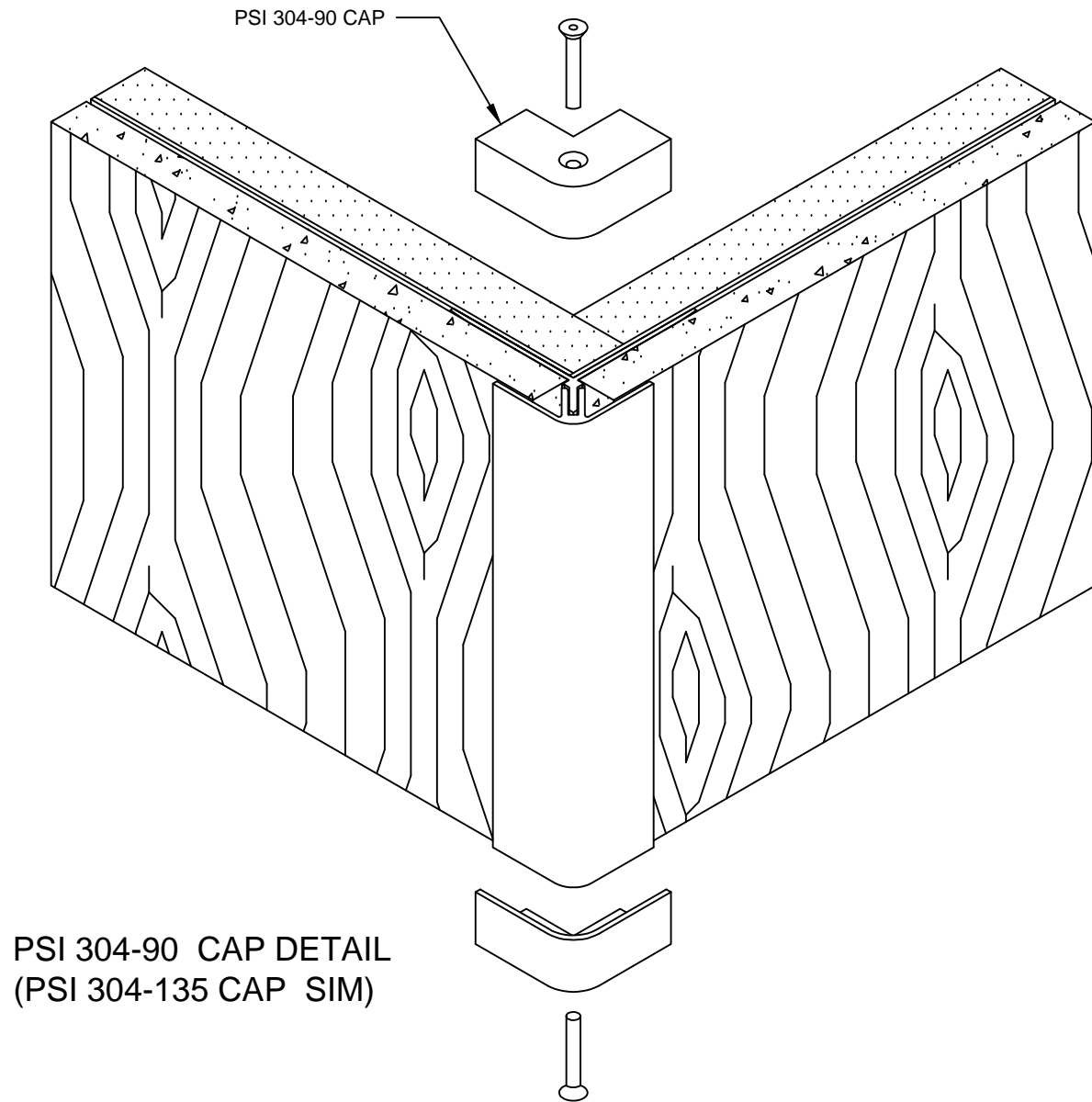
#603-90 OUTSIDE CORNER

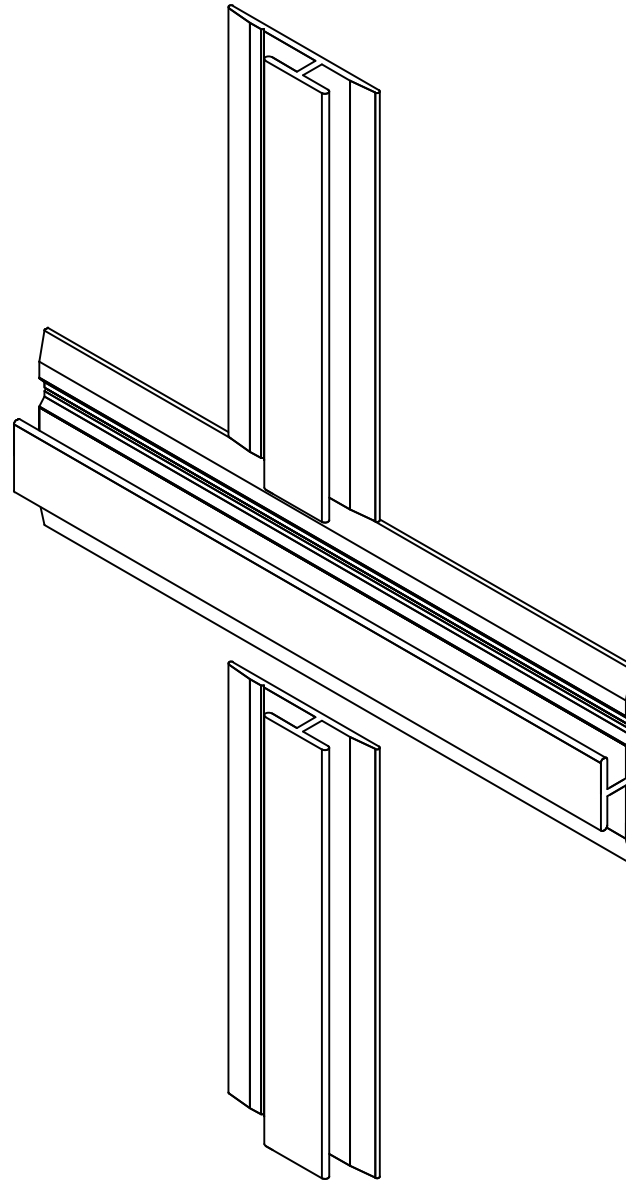
TOP VIEW



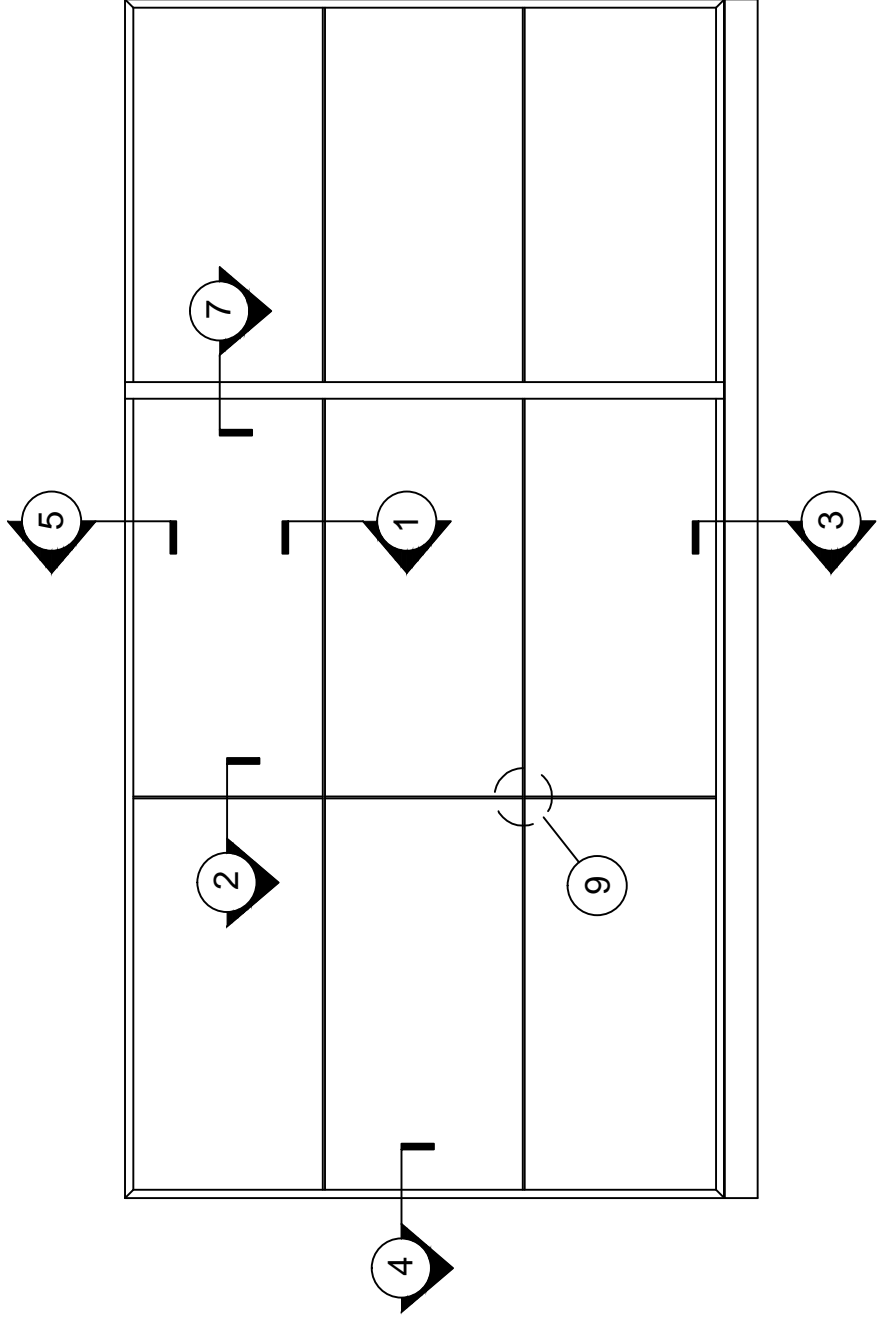
#603-135 OUTSIDE CORNER

TOP VIEW

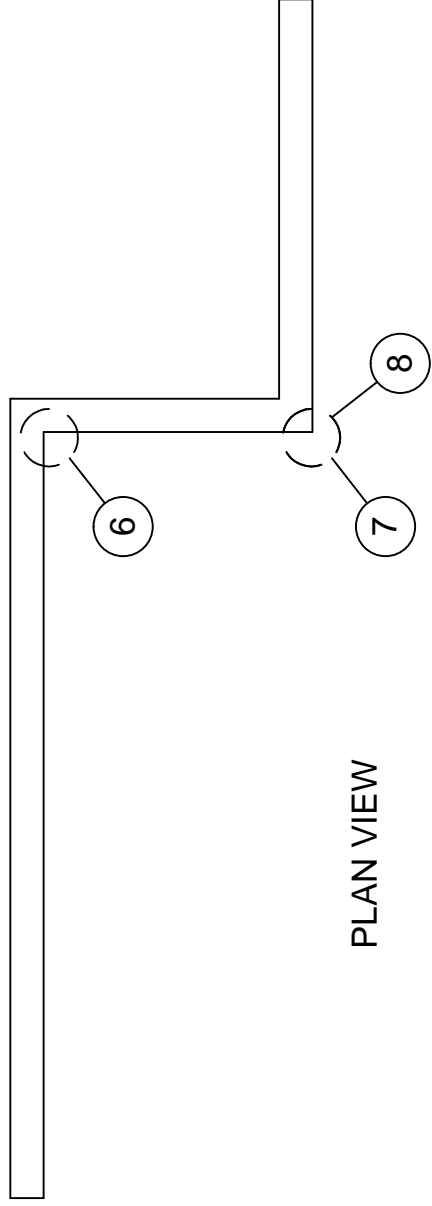




PANEL SPECIALISTS INC.
WALL PANEL SYSTEM 310 EB



ELEVATION VIEW



PLAN VIEW