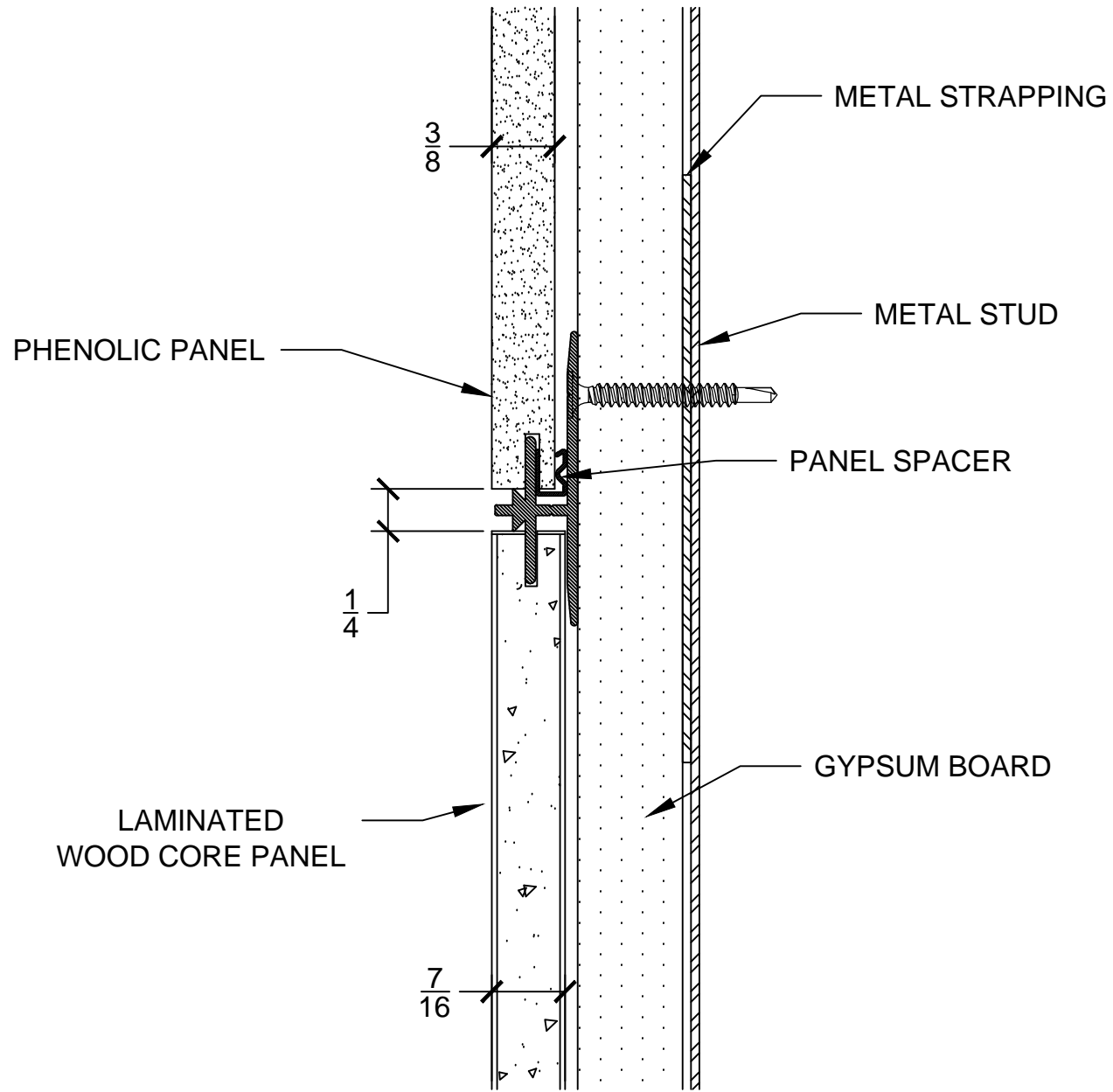


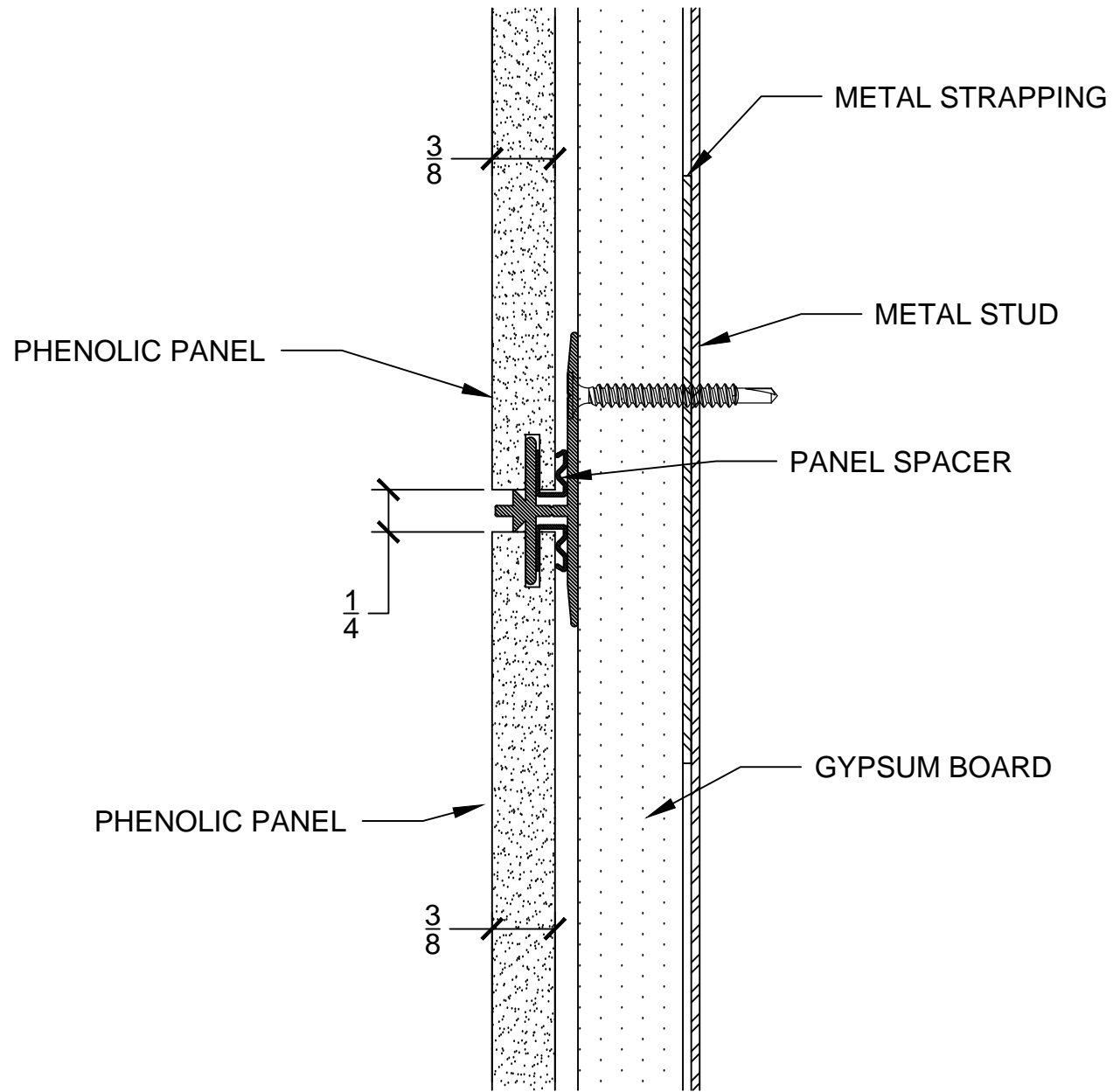
#631 HORIZONTAL REVEAL

RIGHT SIDE VIEW



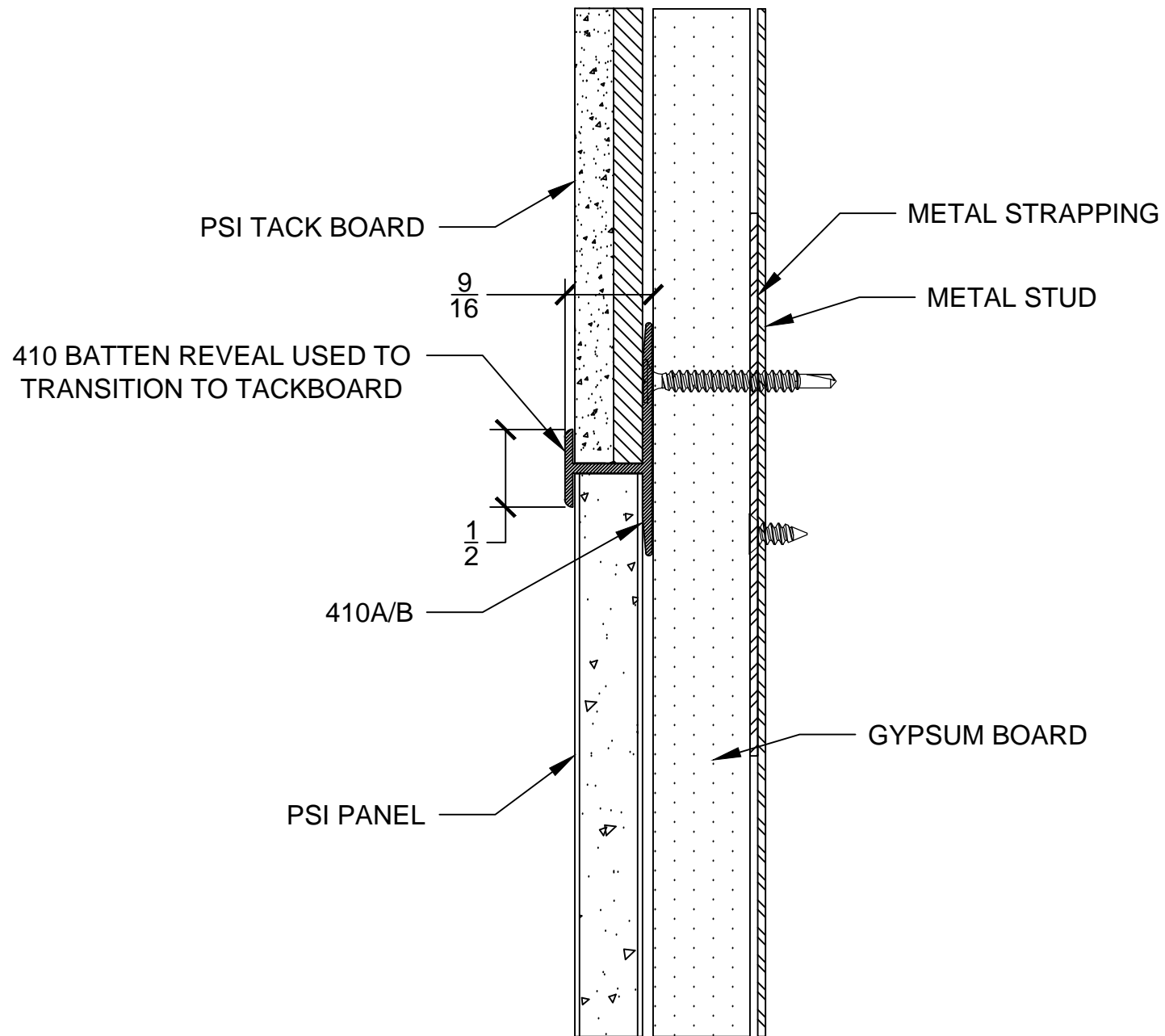
#631 HORIZONTAL REVEAL

RIGHT SIDE VIEW



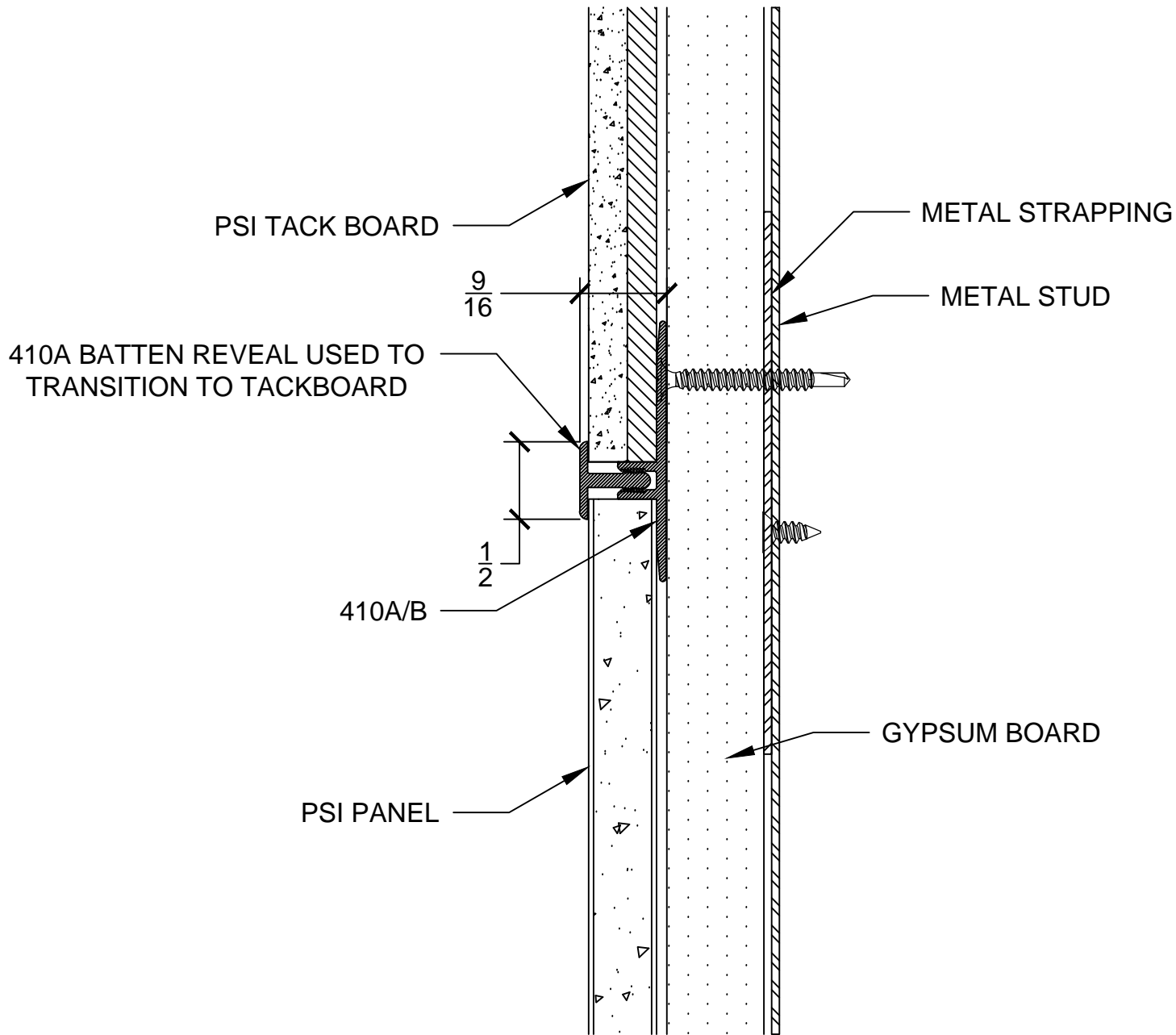
#631 HORIZONTAL REVEAL

RIGHT SIDE VIEW



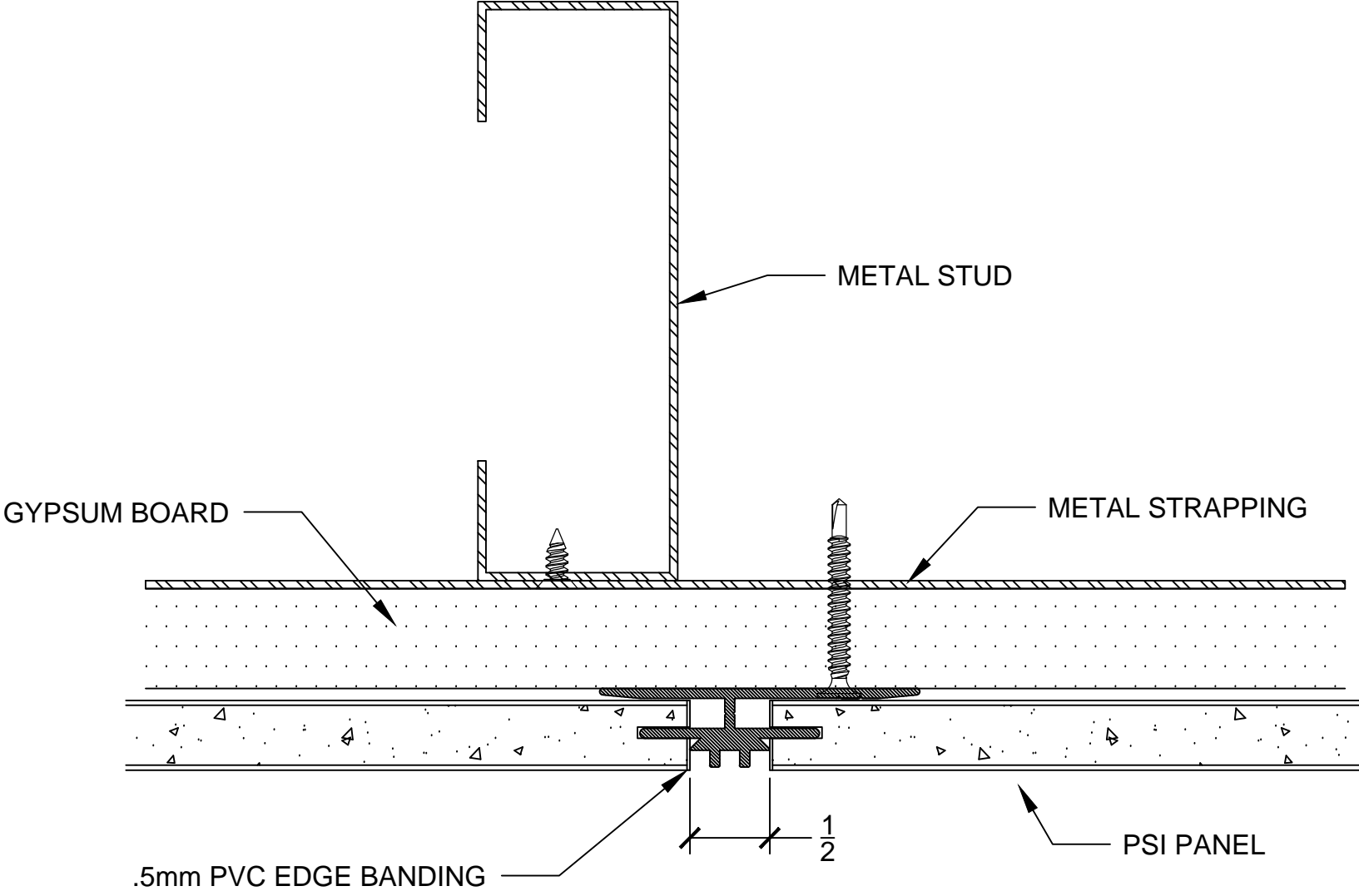
#410 HORIZONTAL BATTEN / DIVIDER

RIGHT SIDE VIEW



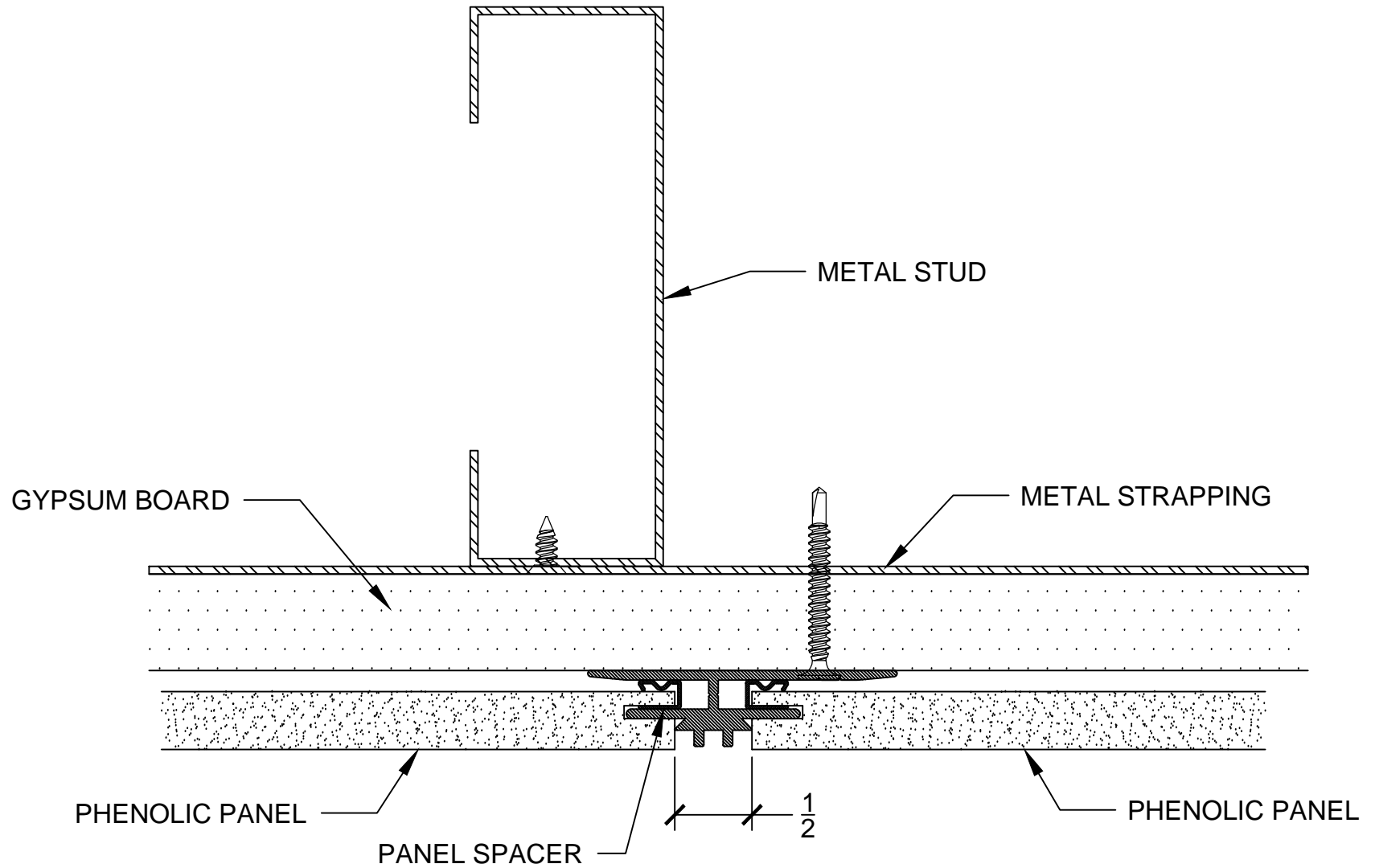
#410A HORIZONTAL BATTEN / DIVIDER

RIGHT SIDE VIEW



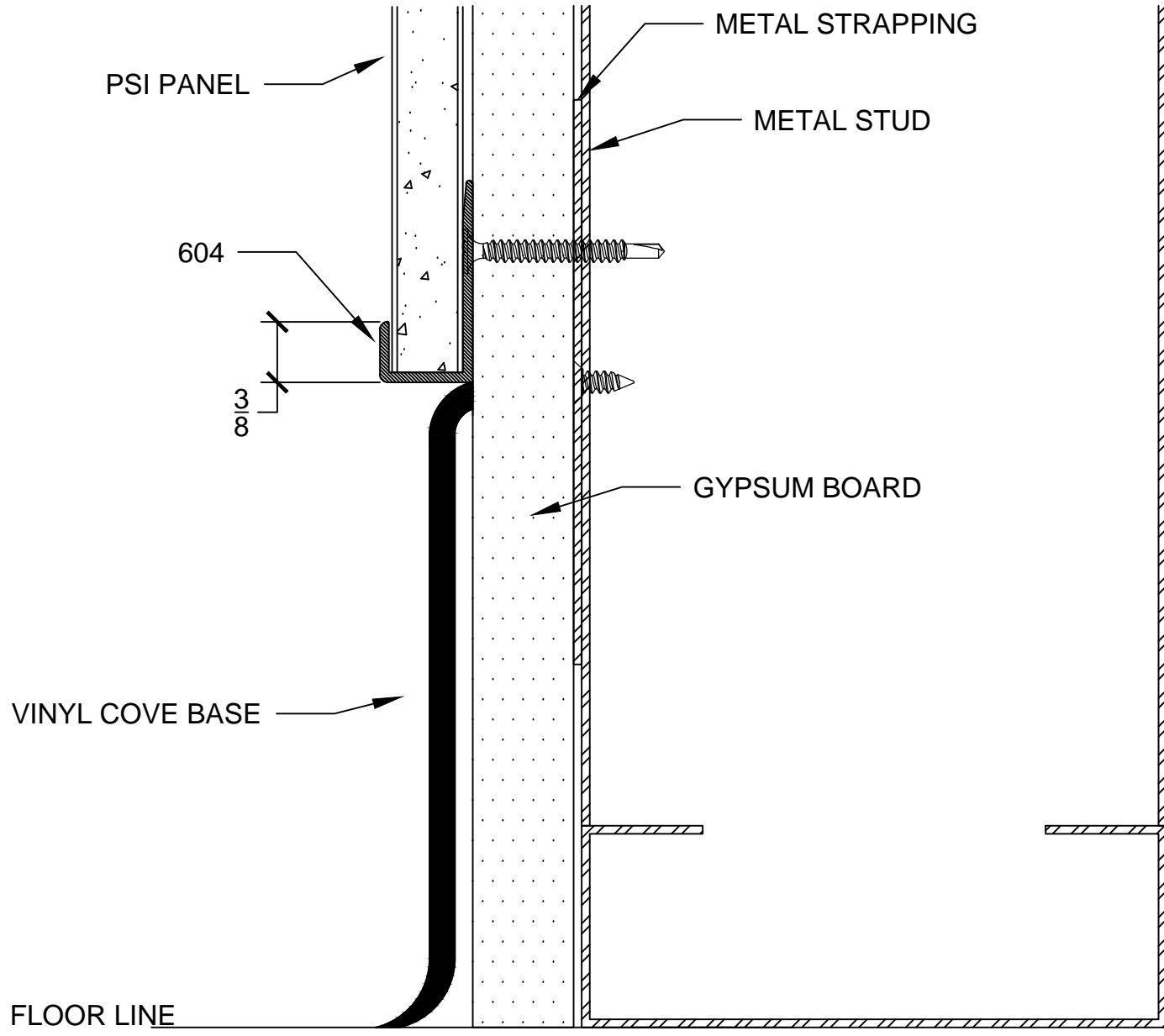
#632 VERTICAL REVEAL

TOP VIEW



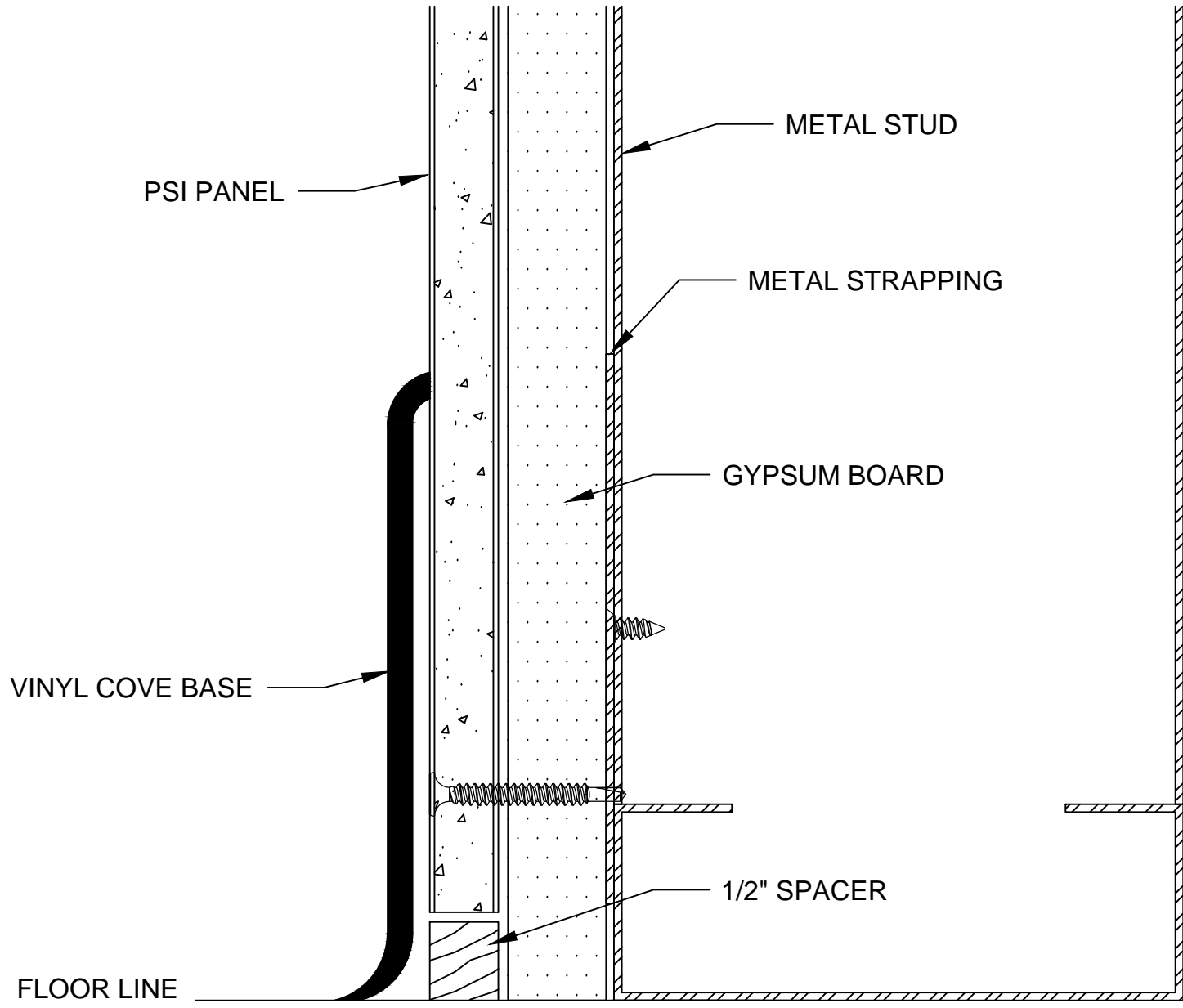
#632 VERTICAL REVEAL

TOP VIEW



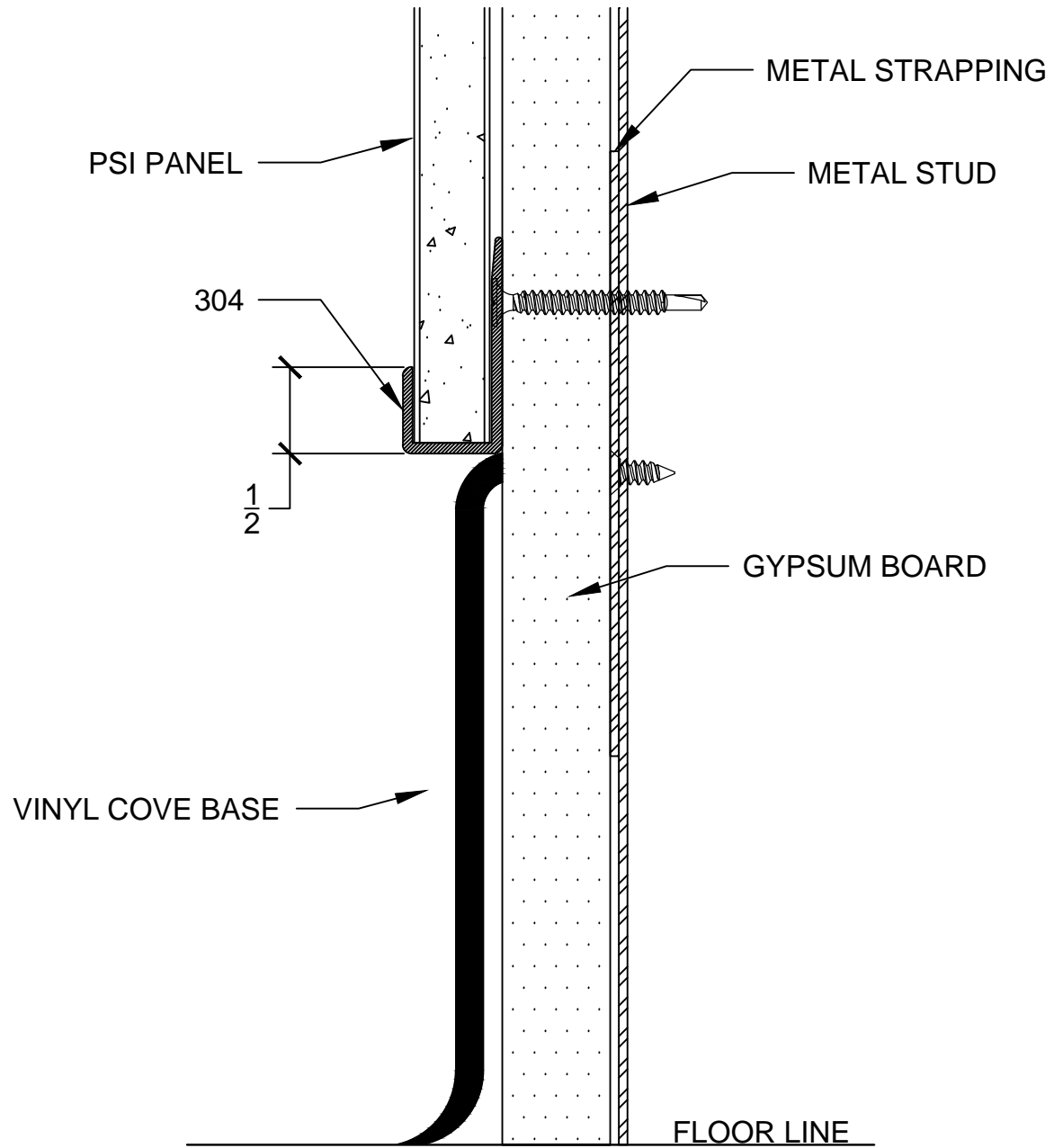
#604 BOTTOM EDGE TRIM - ABOVE BASE

RIGHT SIDE VIEW



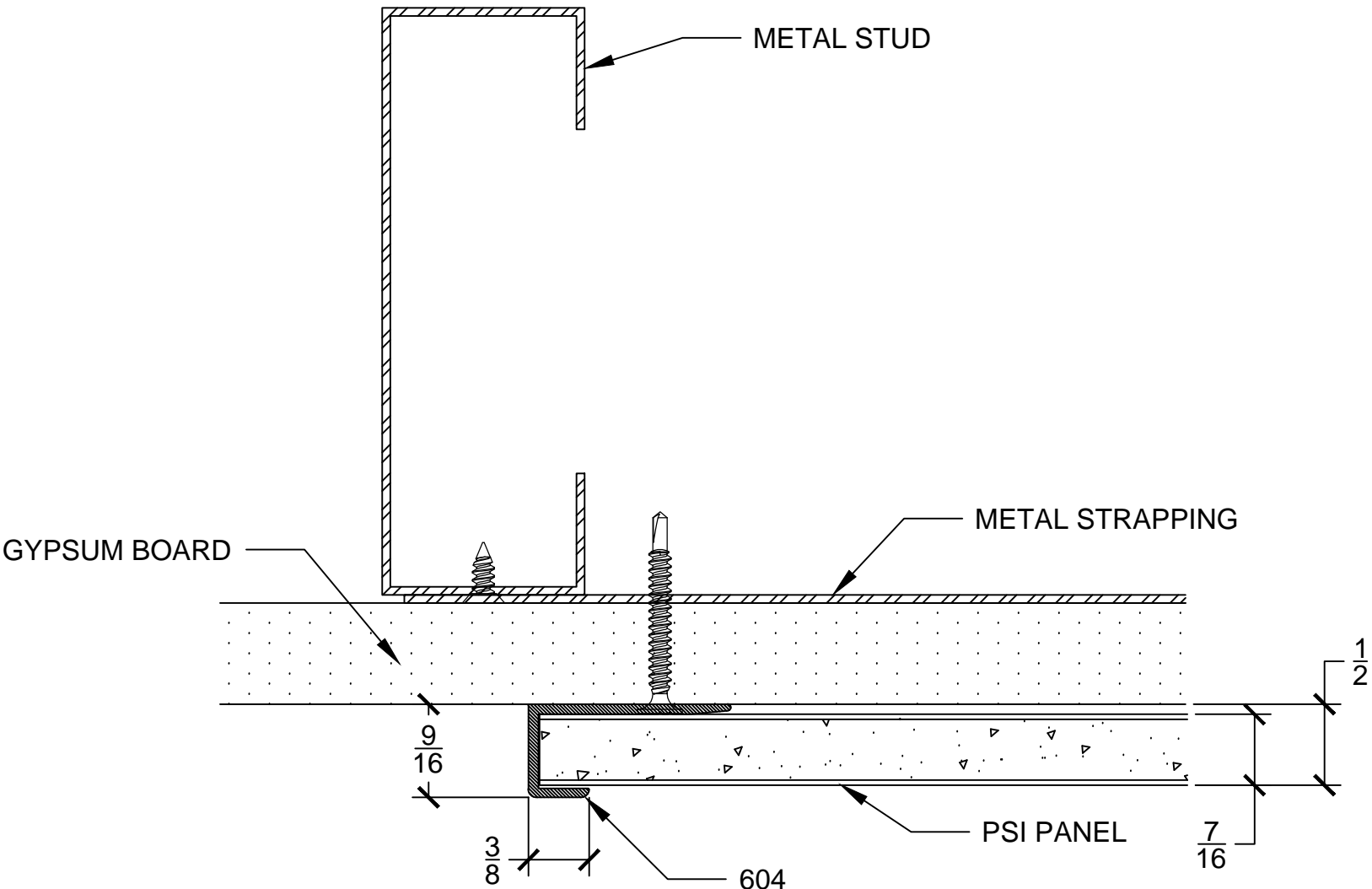
ALTERNATE - BEHIND BASE

RIGHT SIDE VIEW



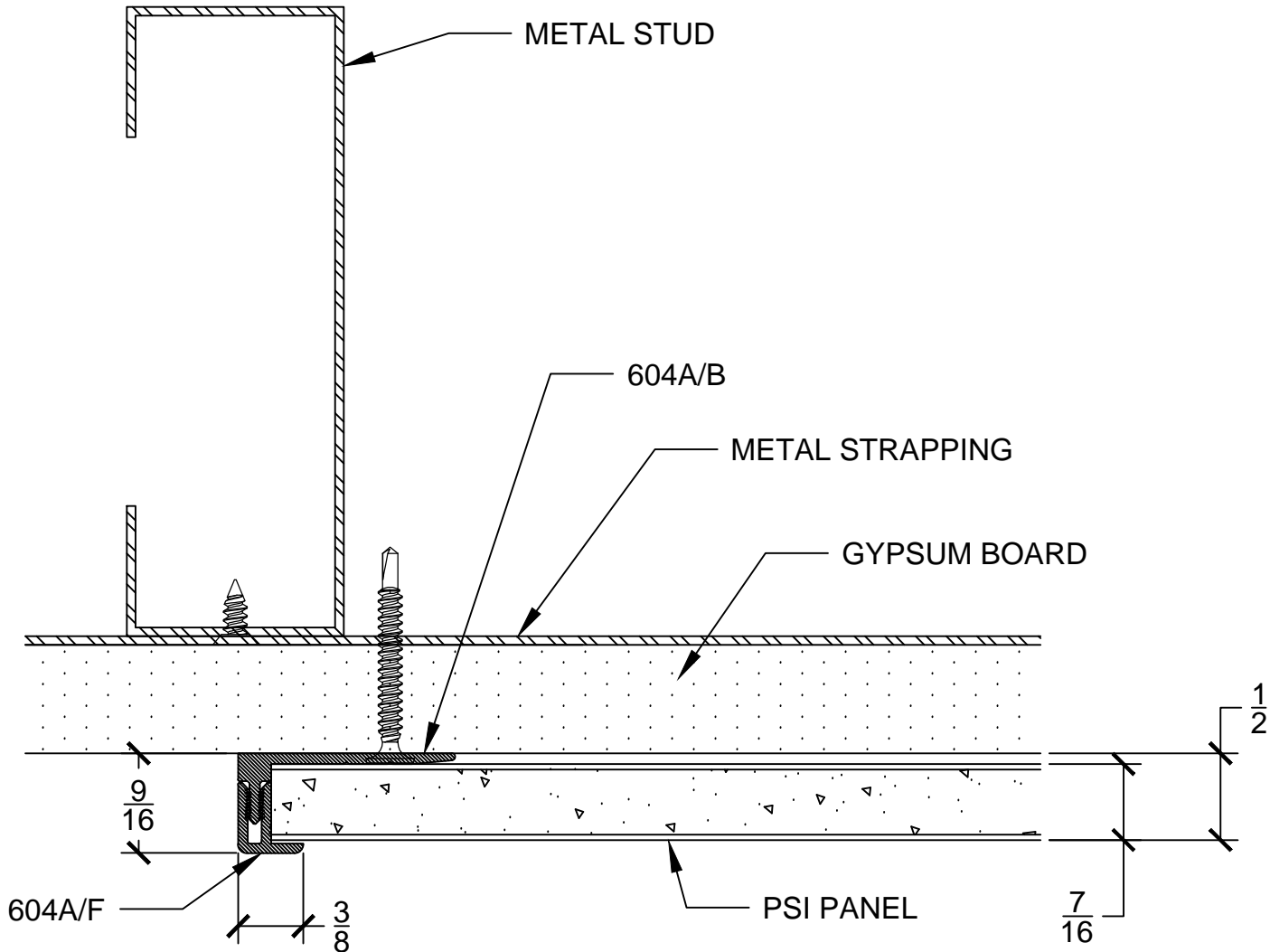
#304 HORIZONTAL TRIM - ABOVE BASE

RIGHT SIDE VIEW



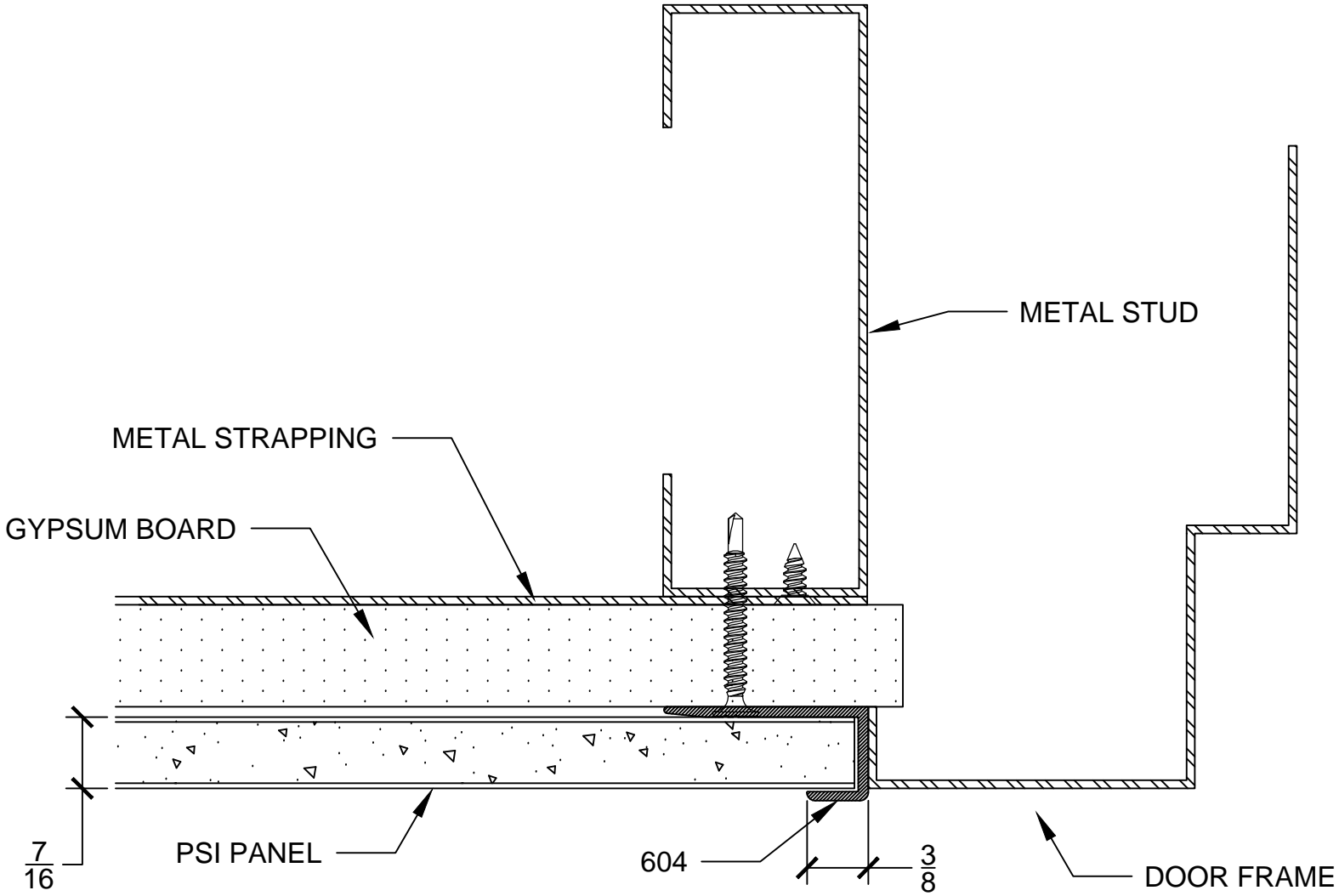
#604 VERTICAL EDGE TRIM

TOP VIEW



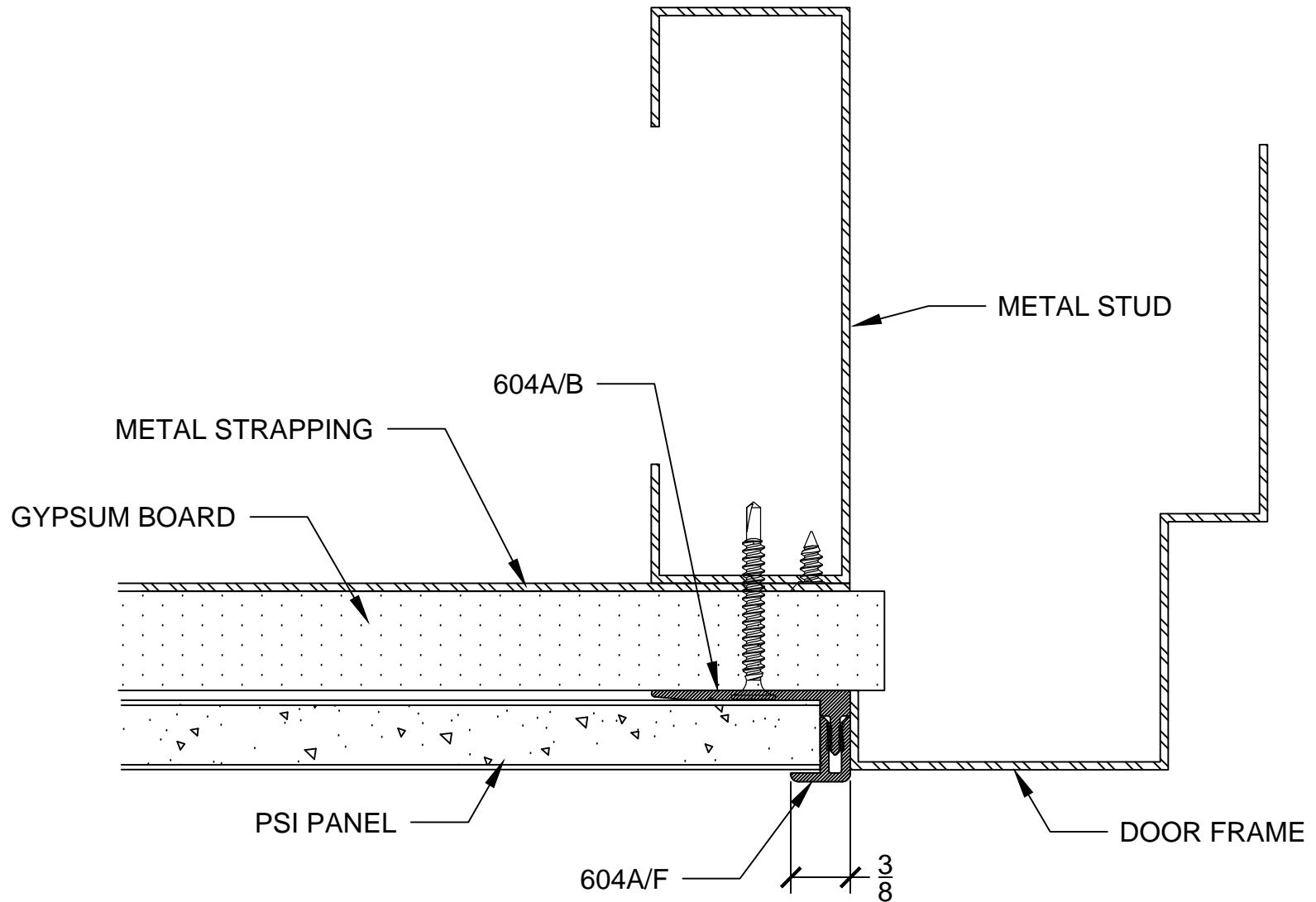
#604A VERTICAL EDGE TRIM

TOP VIEW



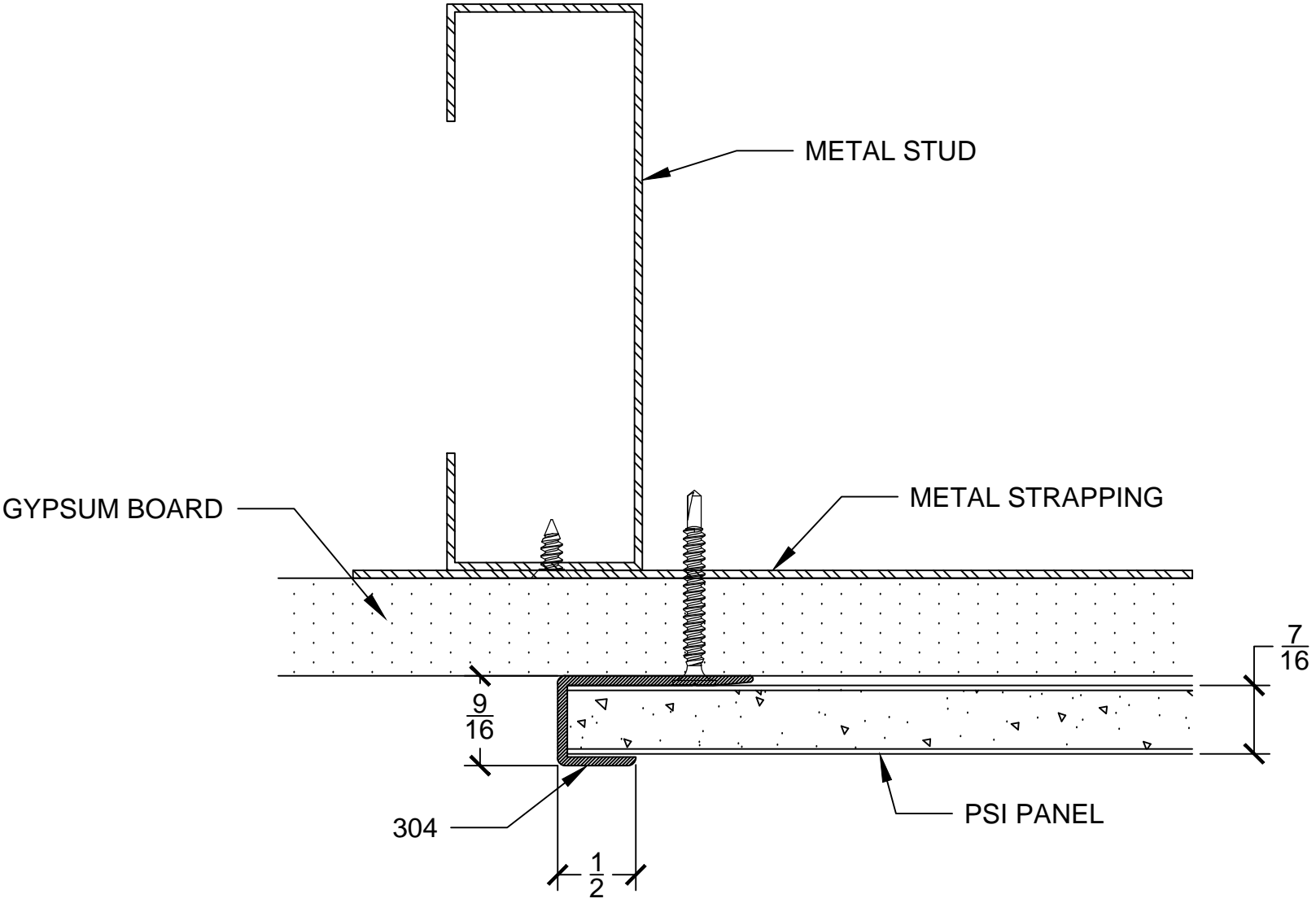
#604 EDGE TRIM @ DOOR OR WINDOW FRAME

TOP VIEW



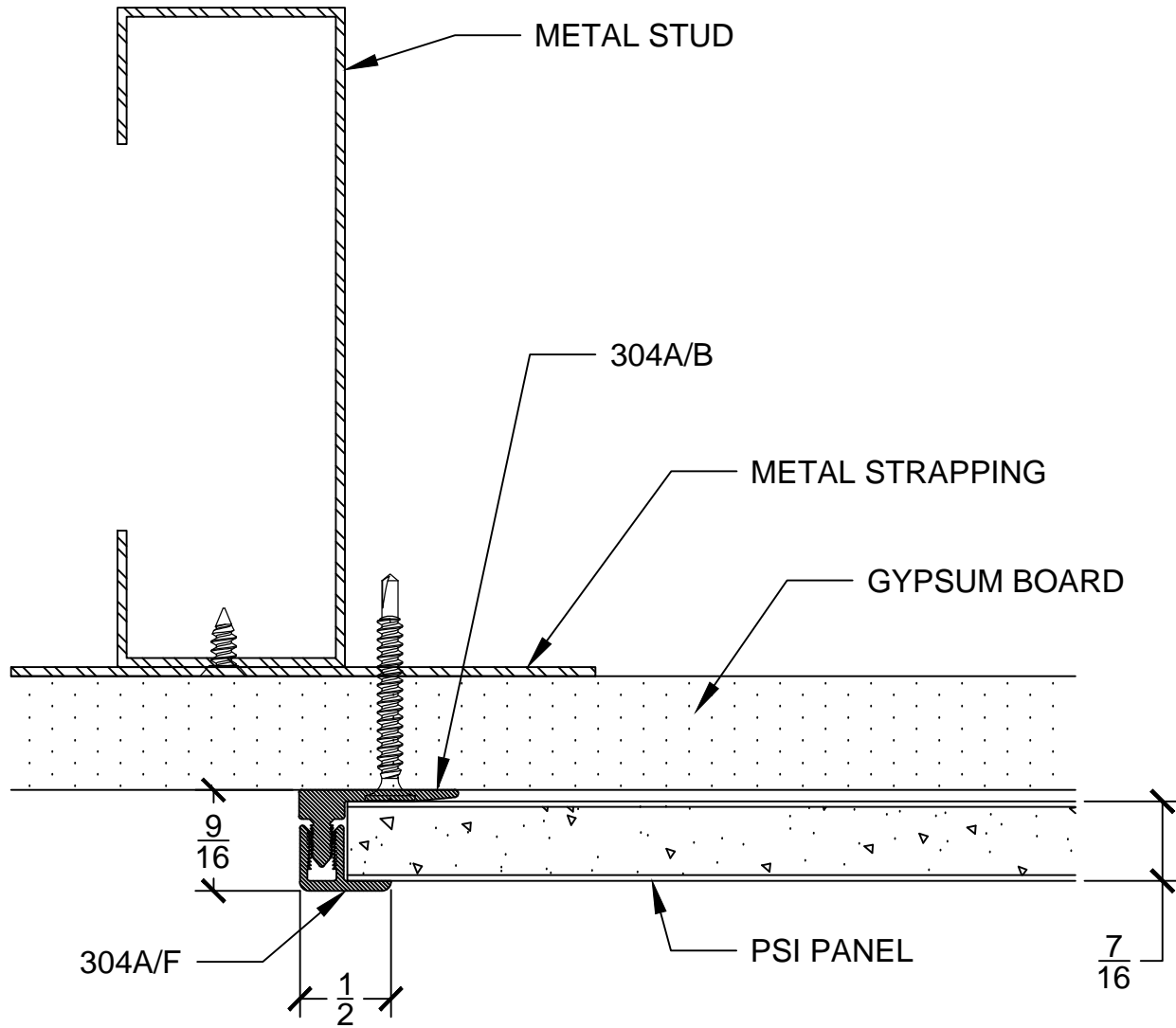
#604A EDGE TRIM @ DOOR OR WINDOW FRAME

TOP VIEW



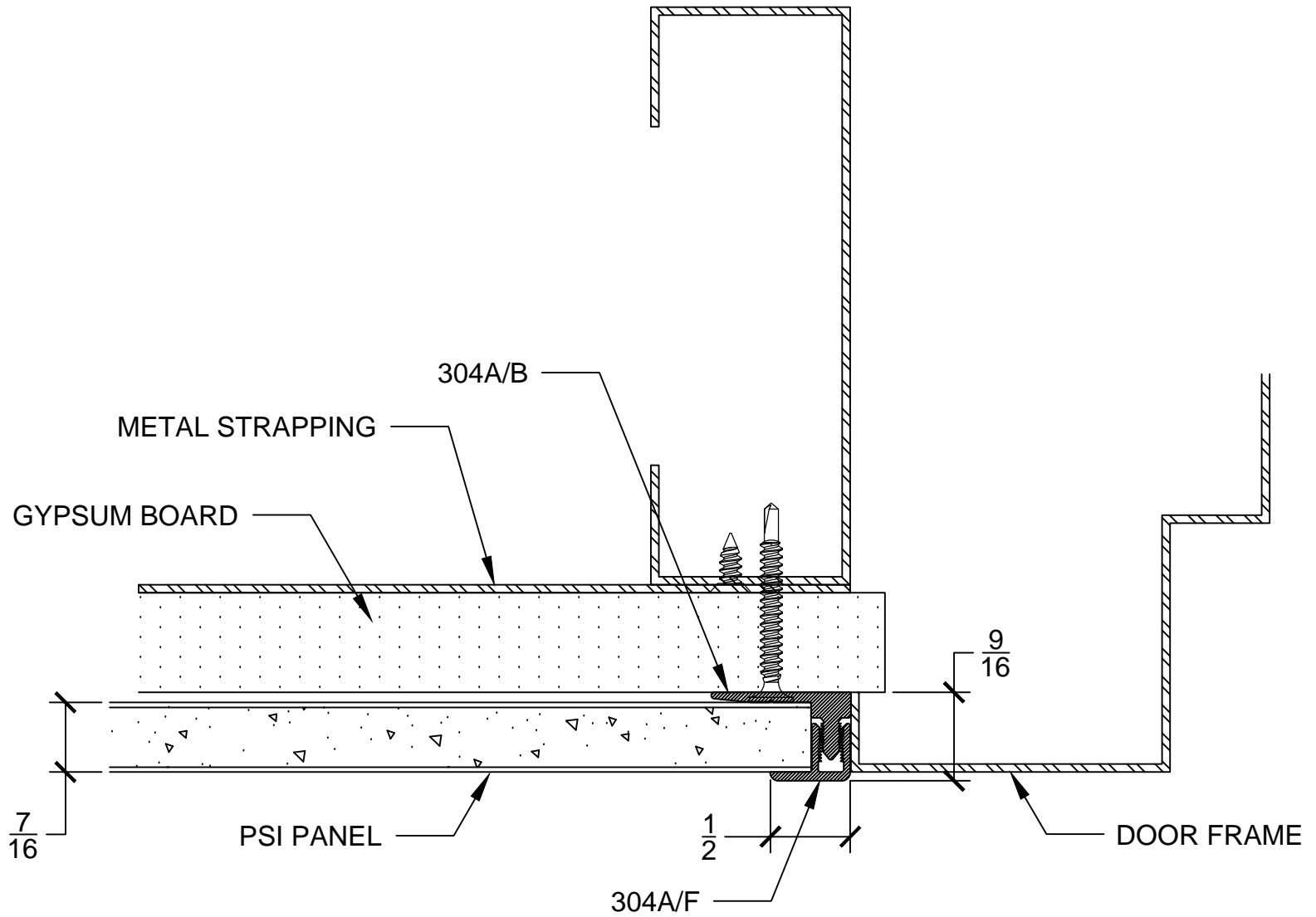
#304 VERTICAL EDGE TRIM

TOP VIEW



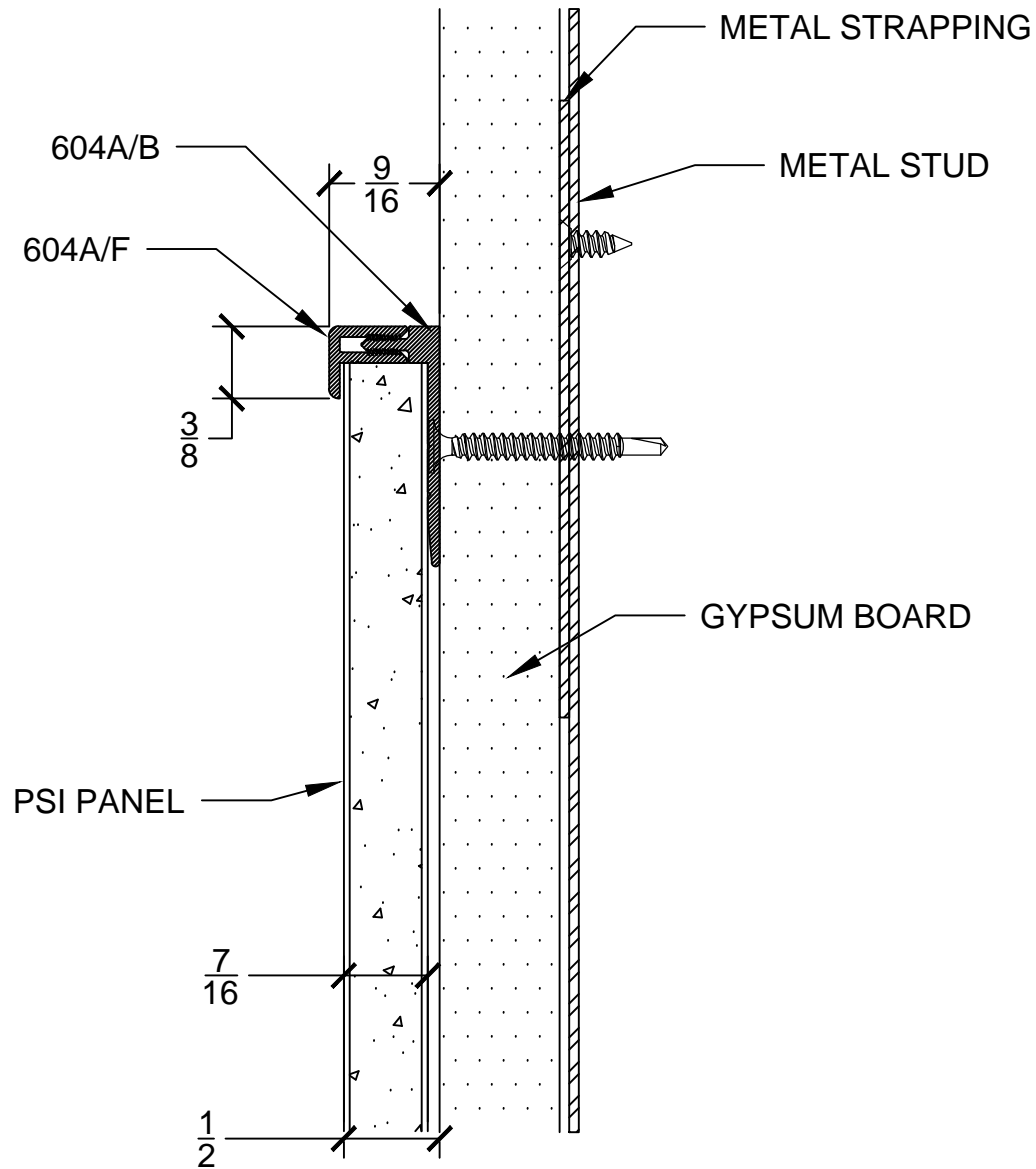
#304A VERTICAL EDGE TRIM

TOP VIEW



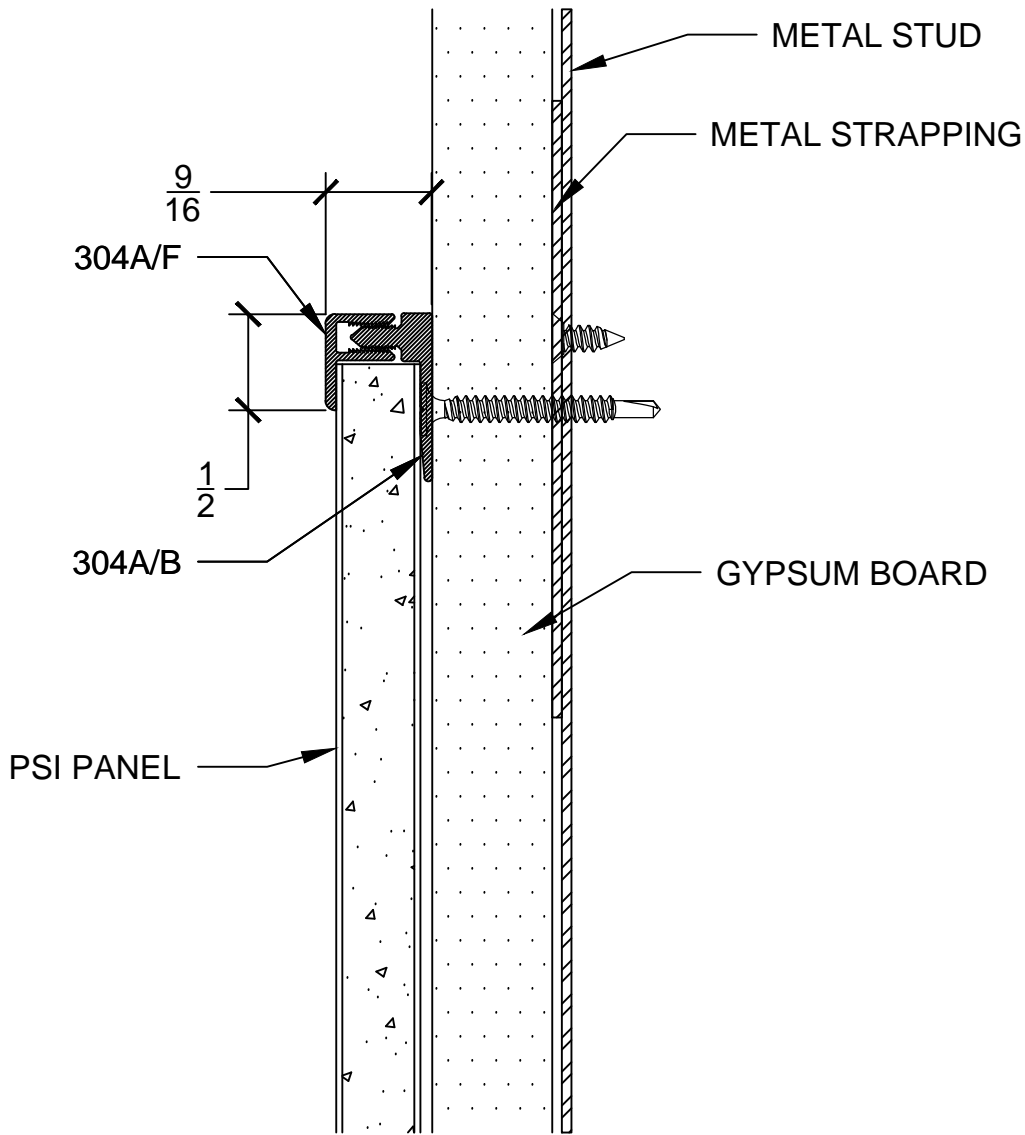
#304A EDGE TRIM @ DOOR OR WINDOW FRAME

TOP VIEW



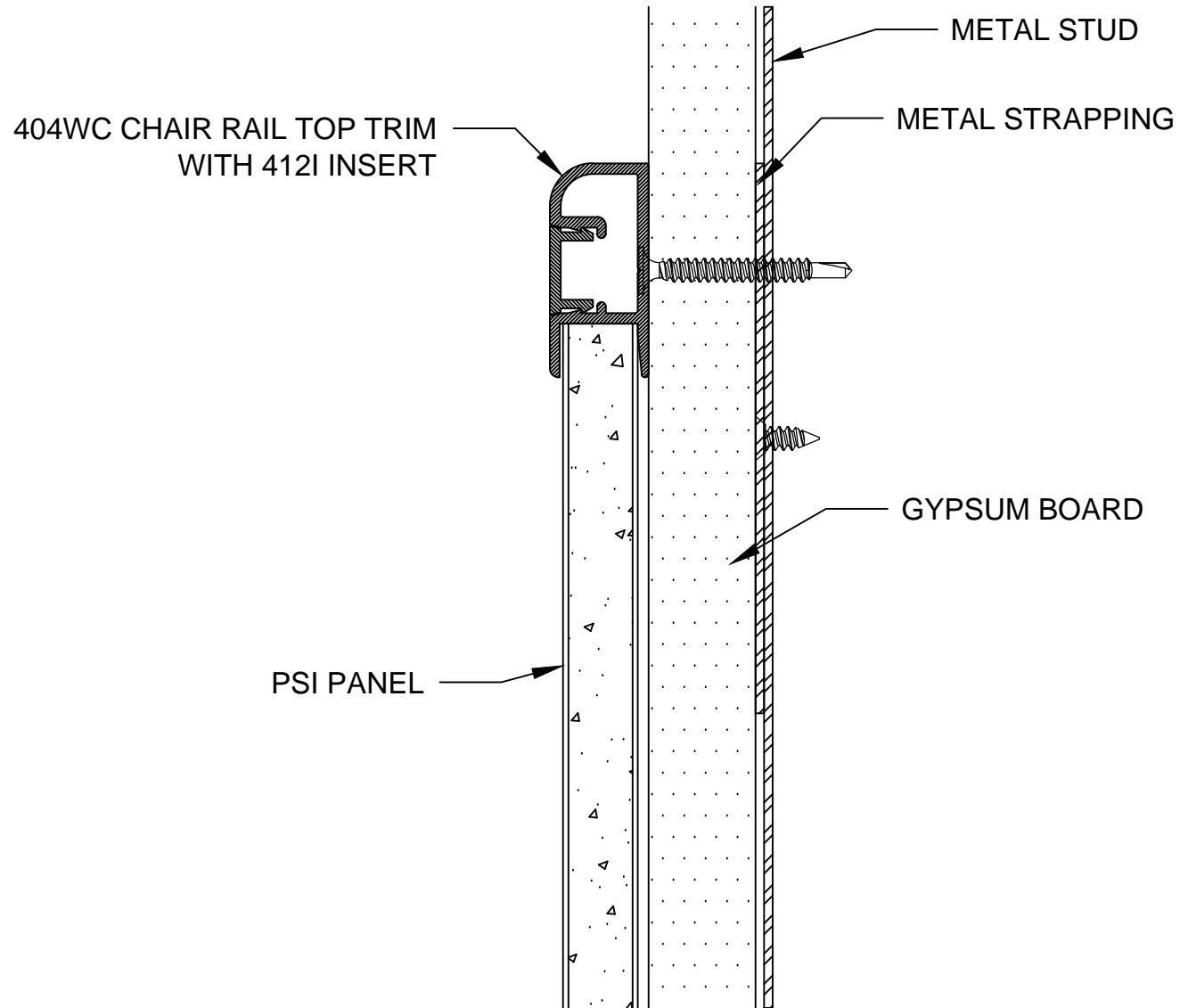
#604A TOP EDGE TRIM

RIGHT SIDE VIEW



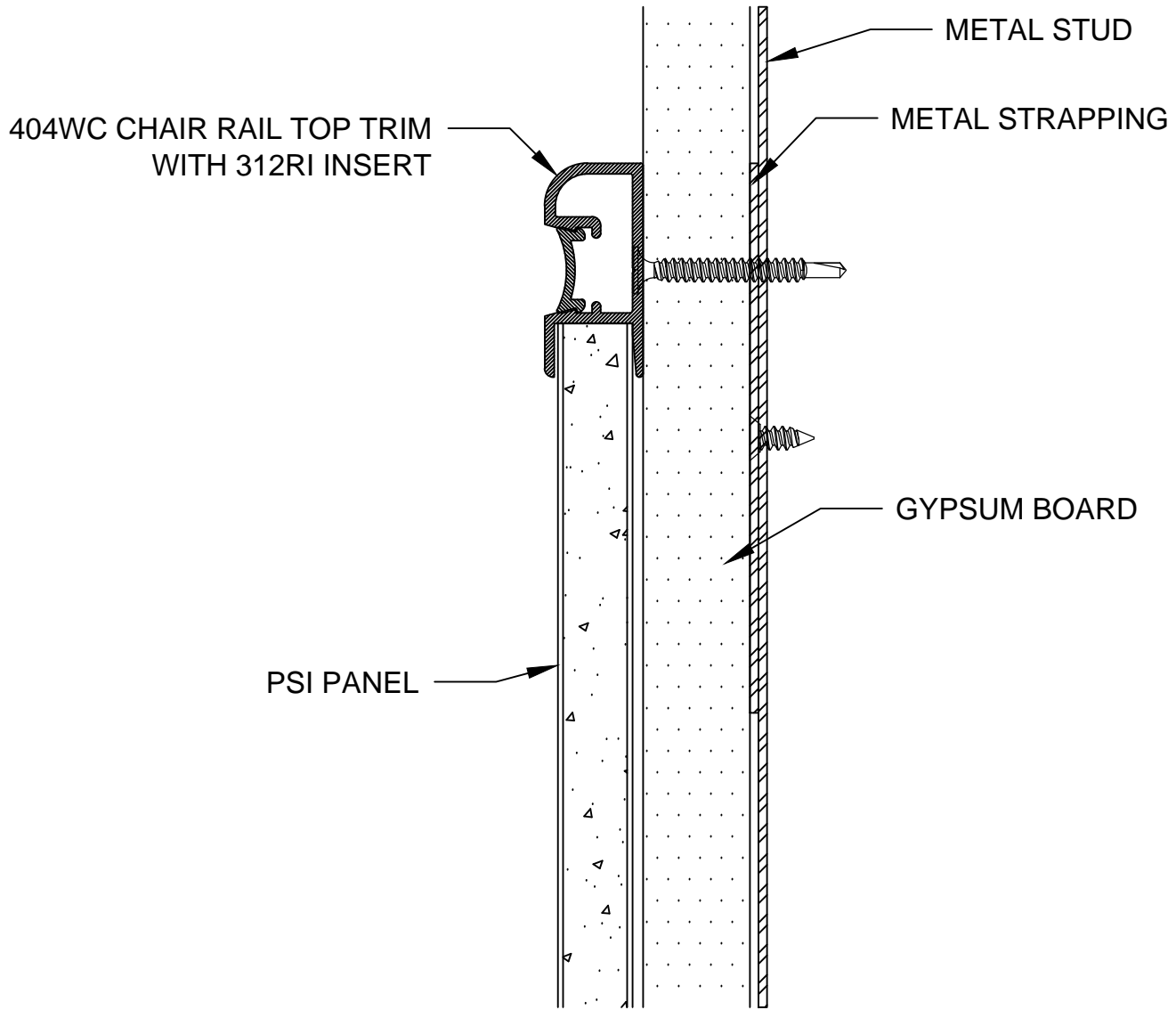
#304A TOP TRIM

RIGHT SIDE VIEW



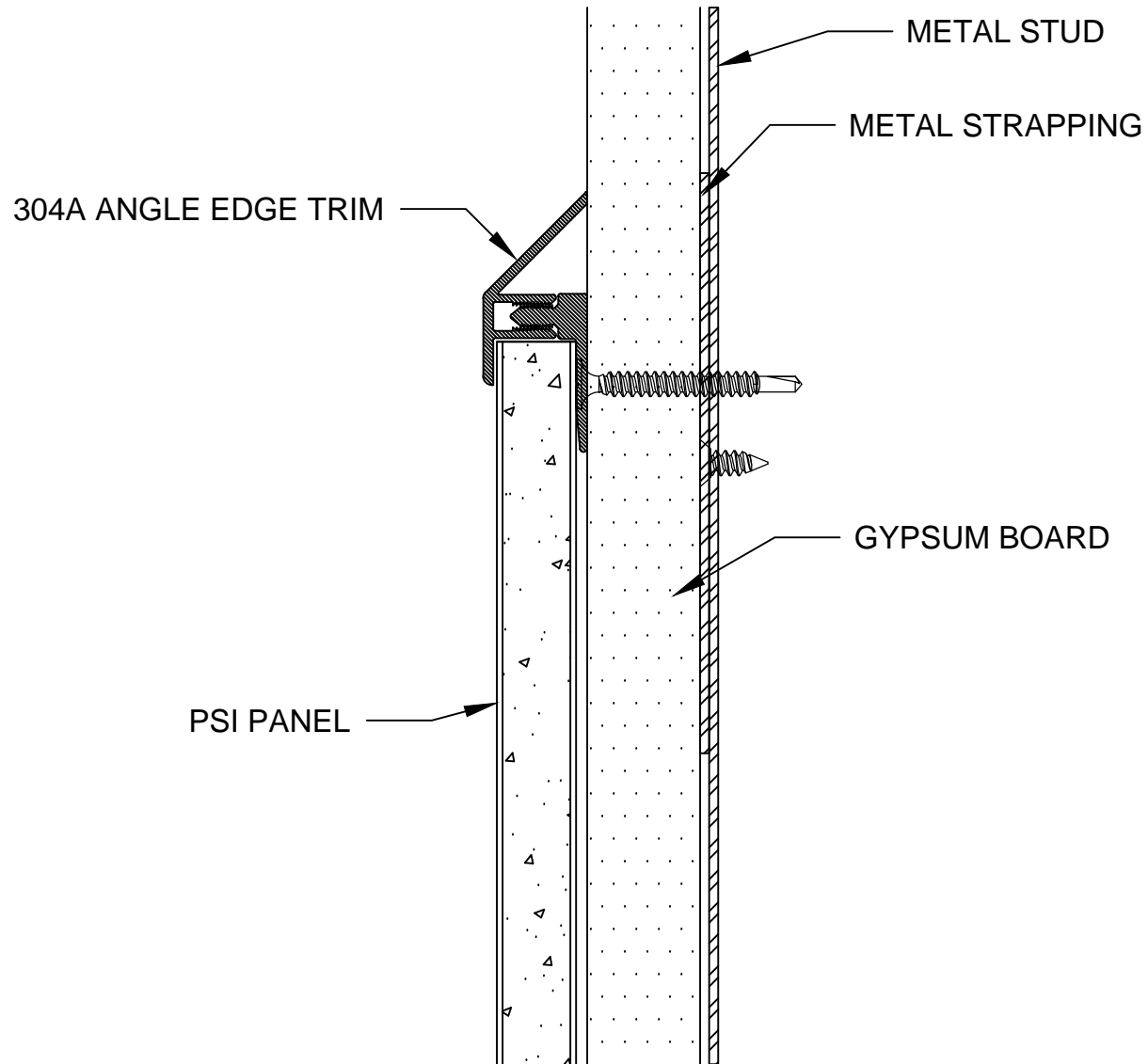
404WC WAINSCOT CHAIR RAIL TOP TRIM

RIGHT SIDE VIEW



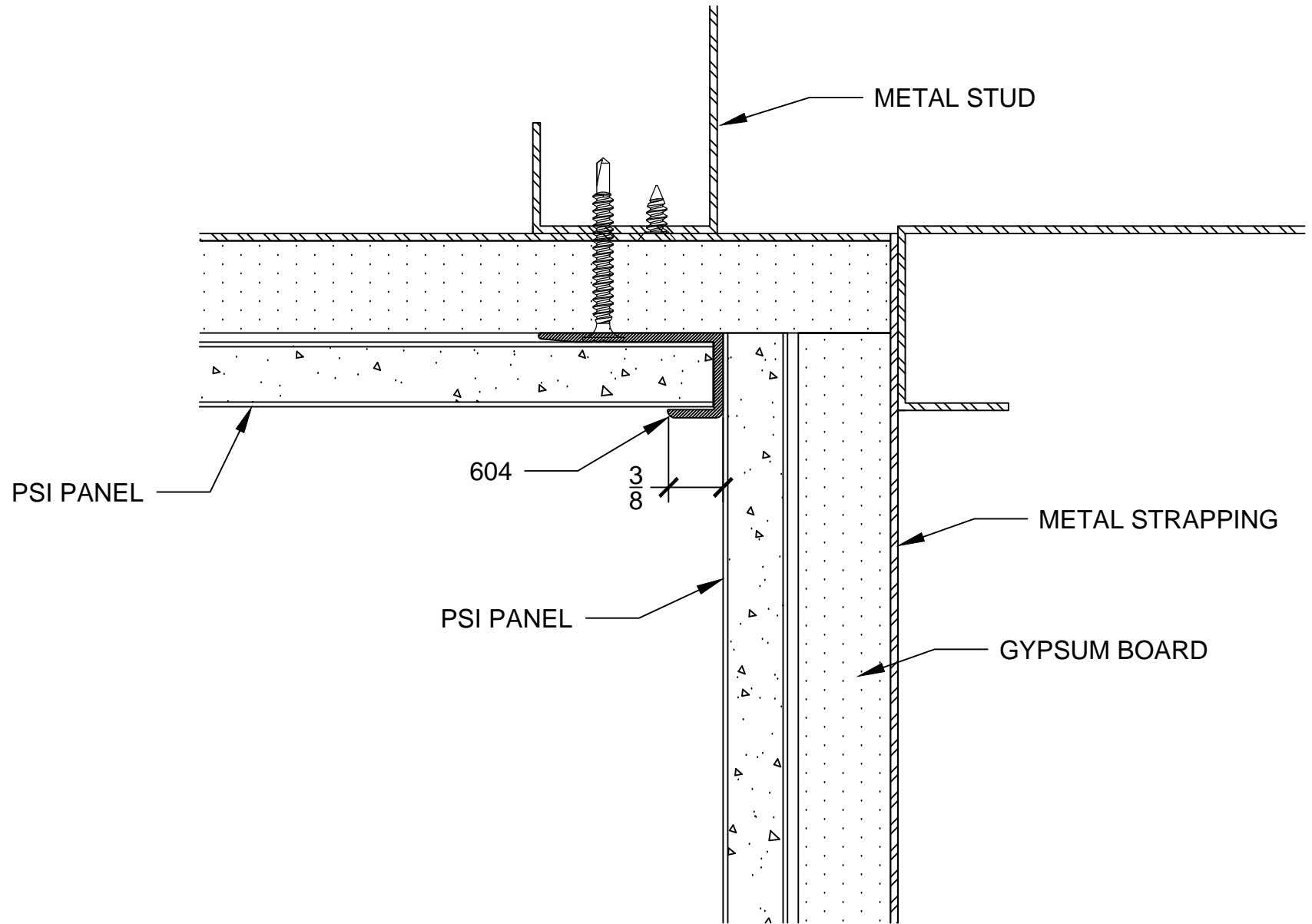
404WC WAINSCOT CHAIR RAIL TOP TRIM

RIGHT SIDE VIEW



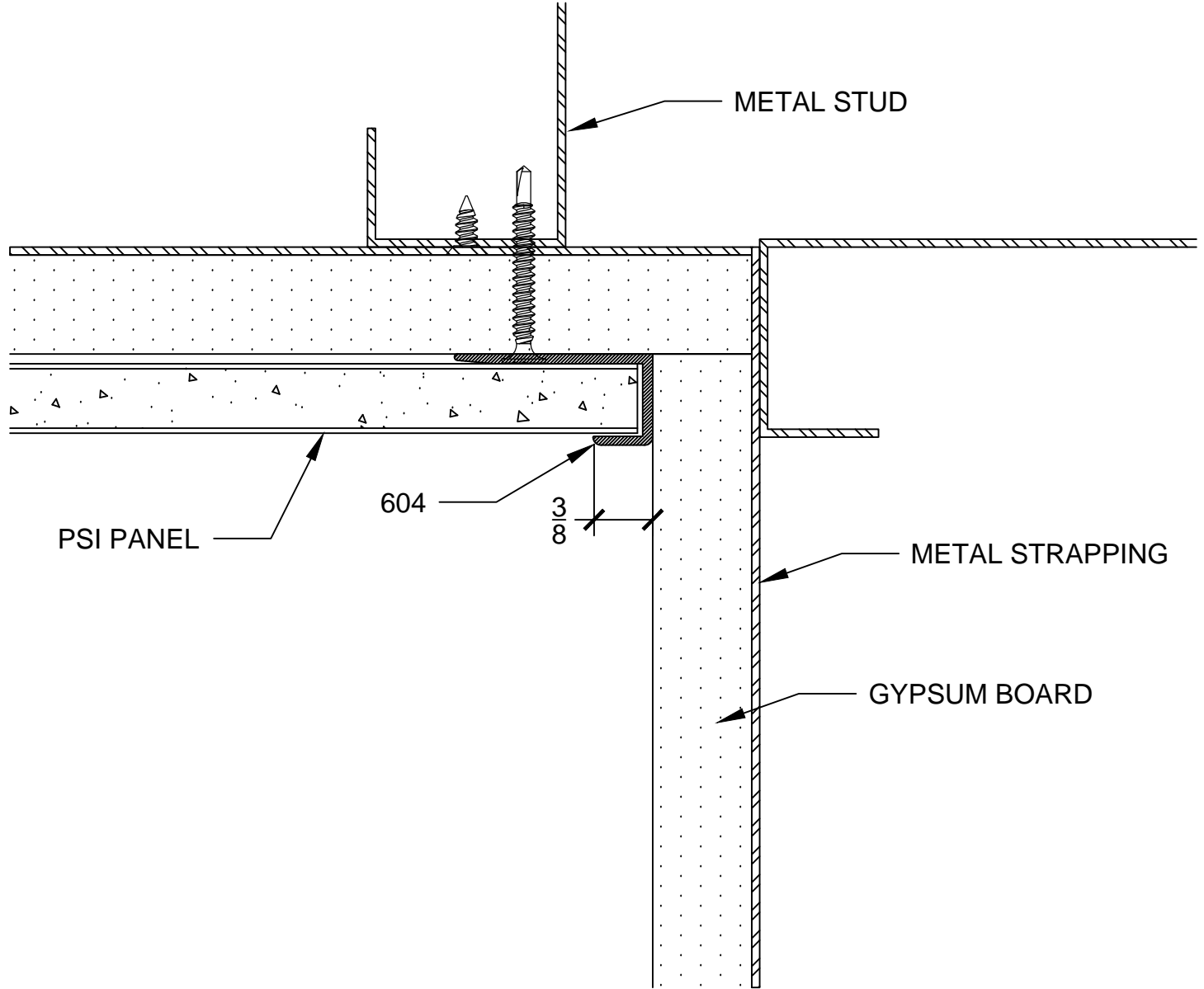
304A ANGLE EDGE TOP TRIM

RIGHT SIDE VIEW



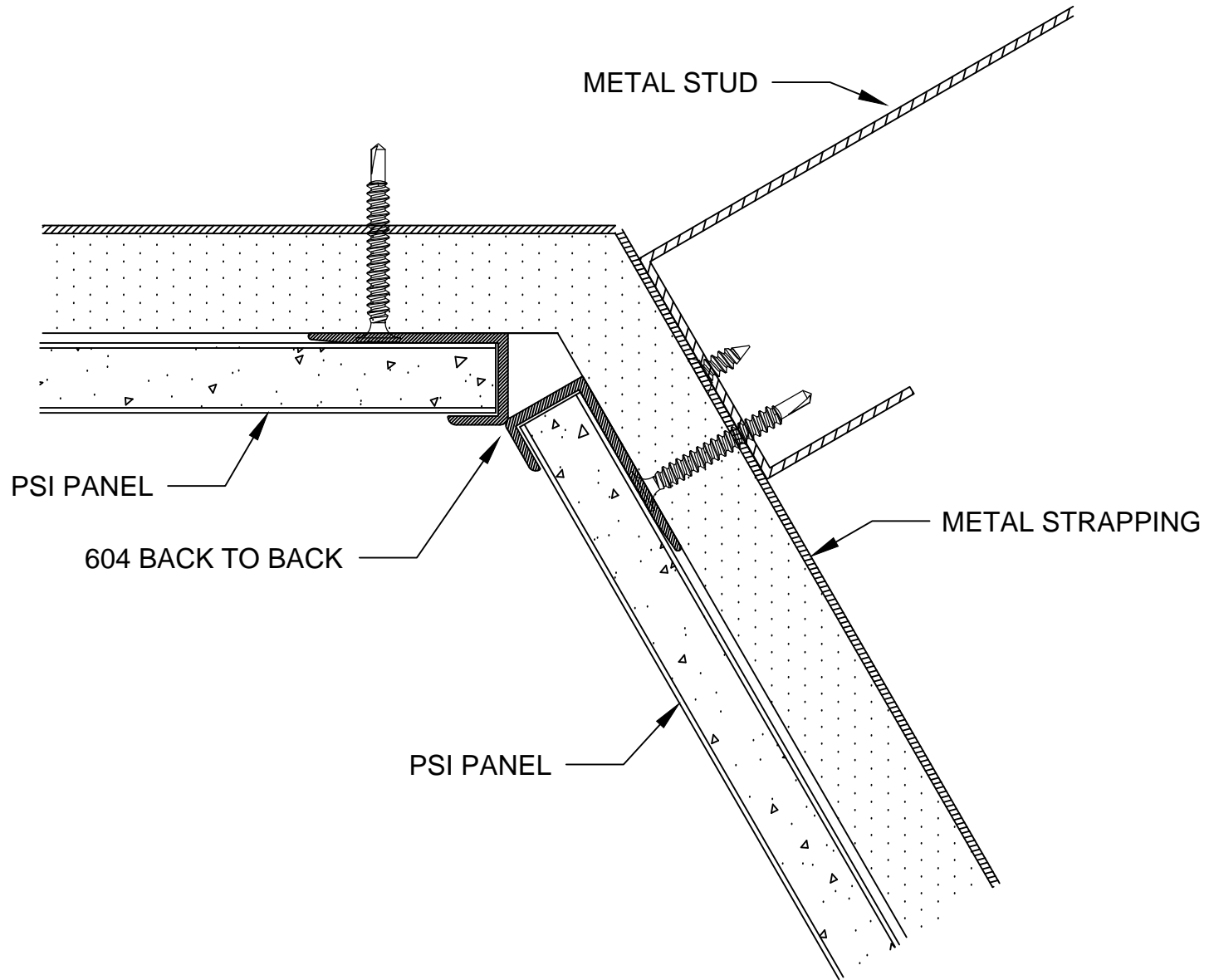
#604 INSIDE CORNER TRIM

TOP VIEW



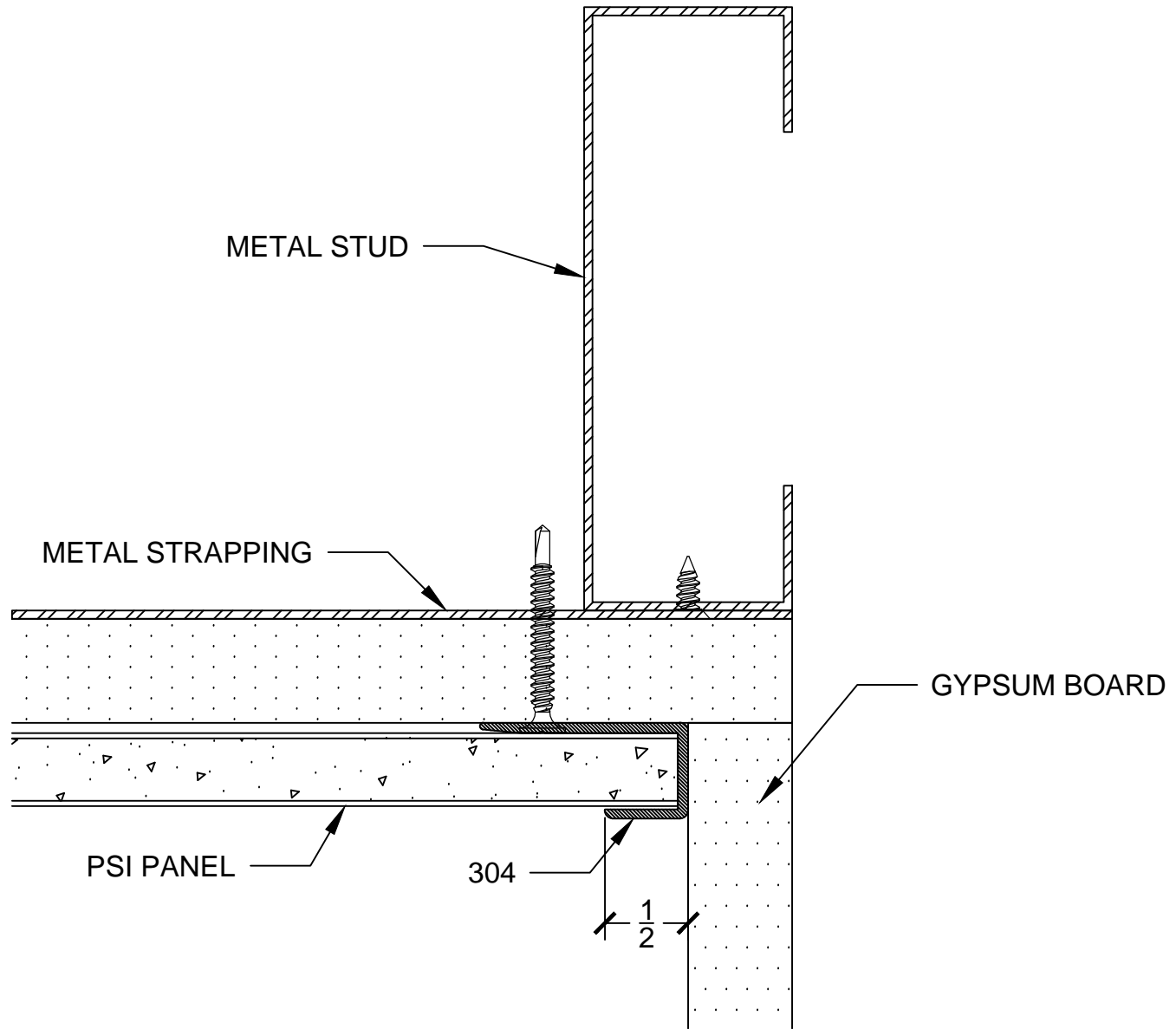
#604 INSIDE CORNER TRIM

TOP VIEW



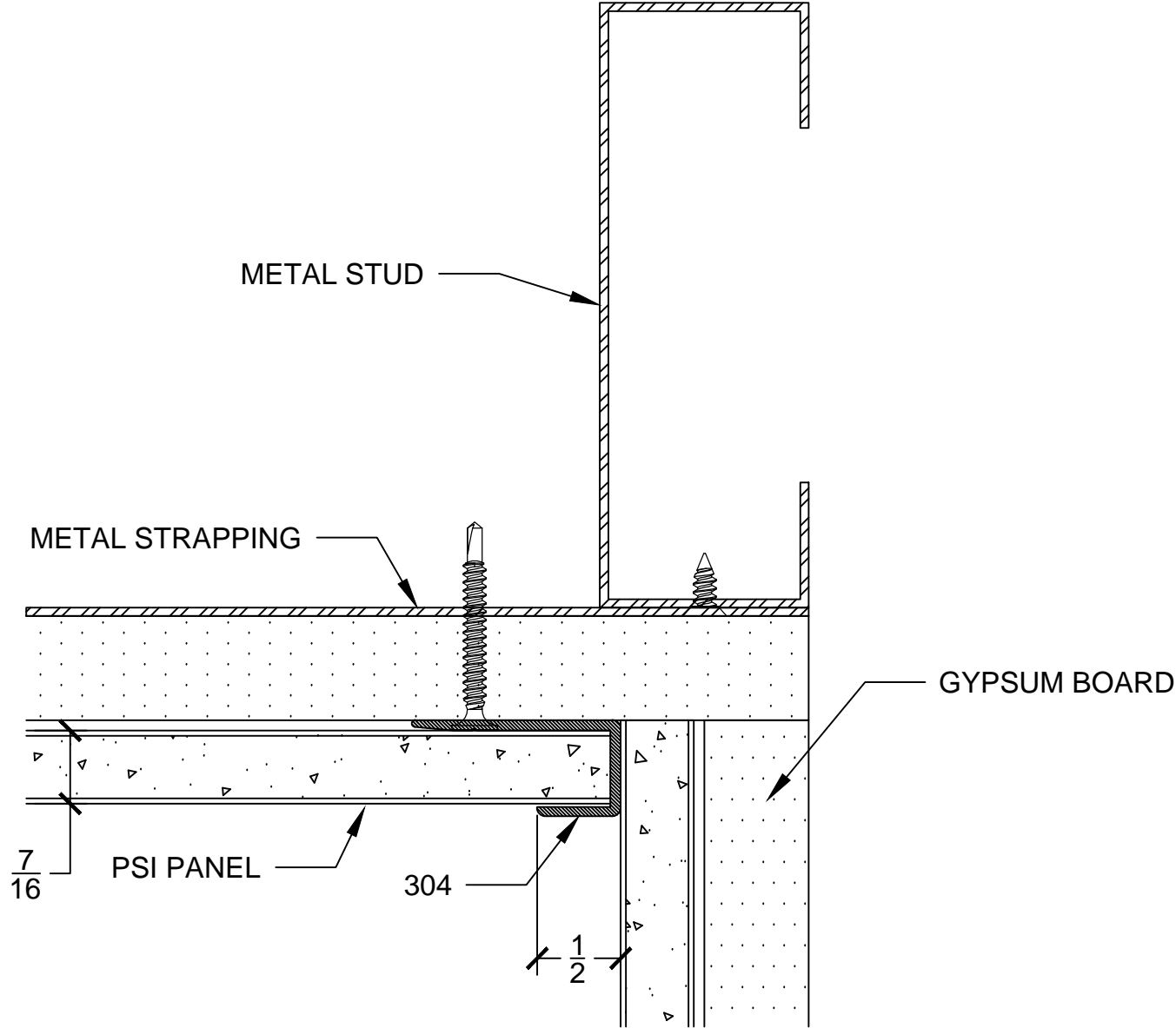
#604 ANGLED INSIDE CORNER TRIM

TOP VIEW



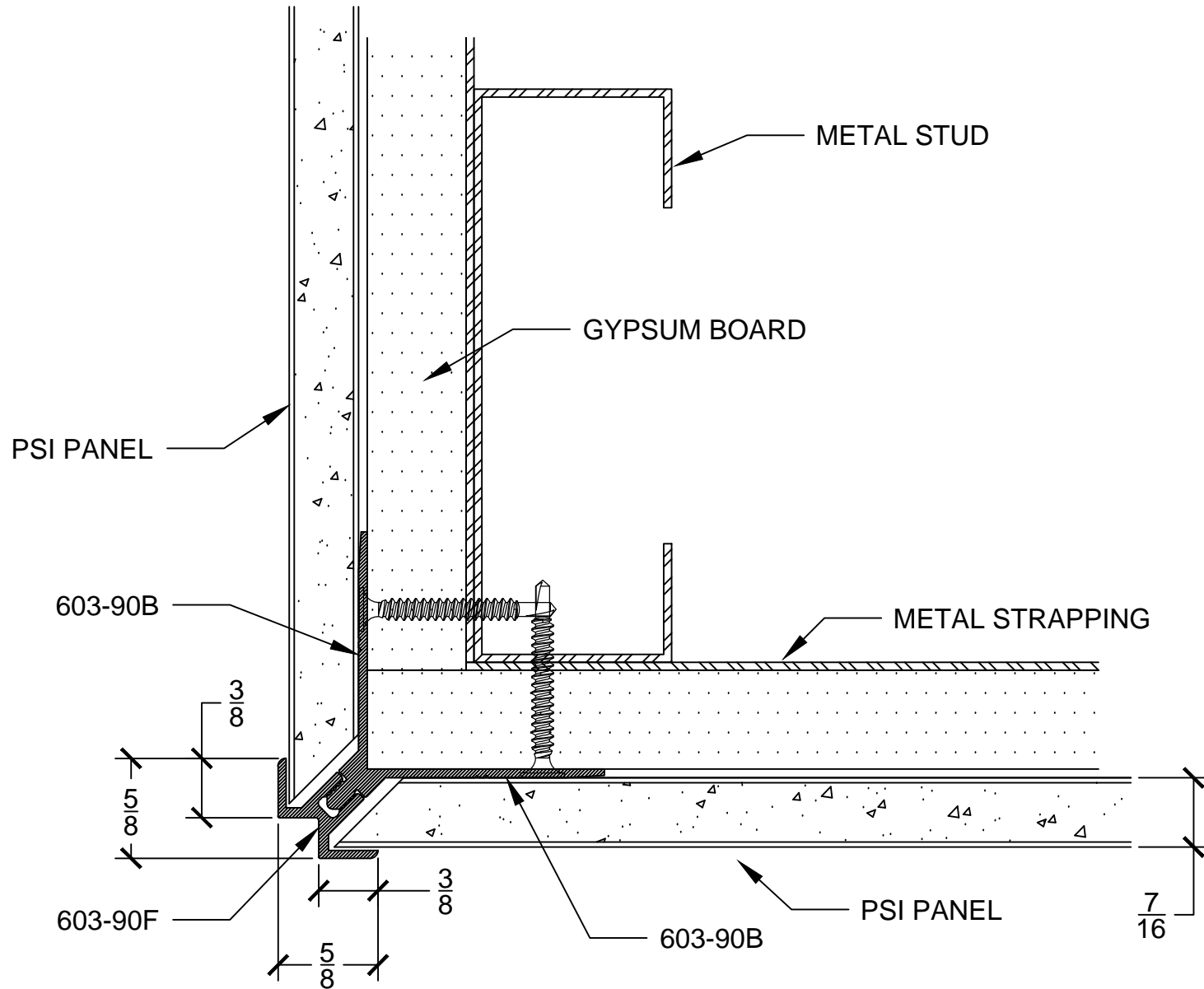
#304 INSIDE CORNER

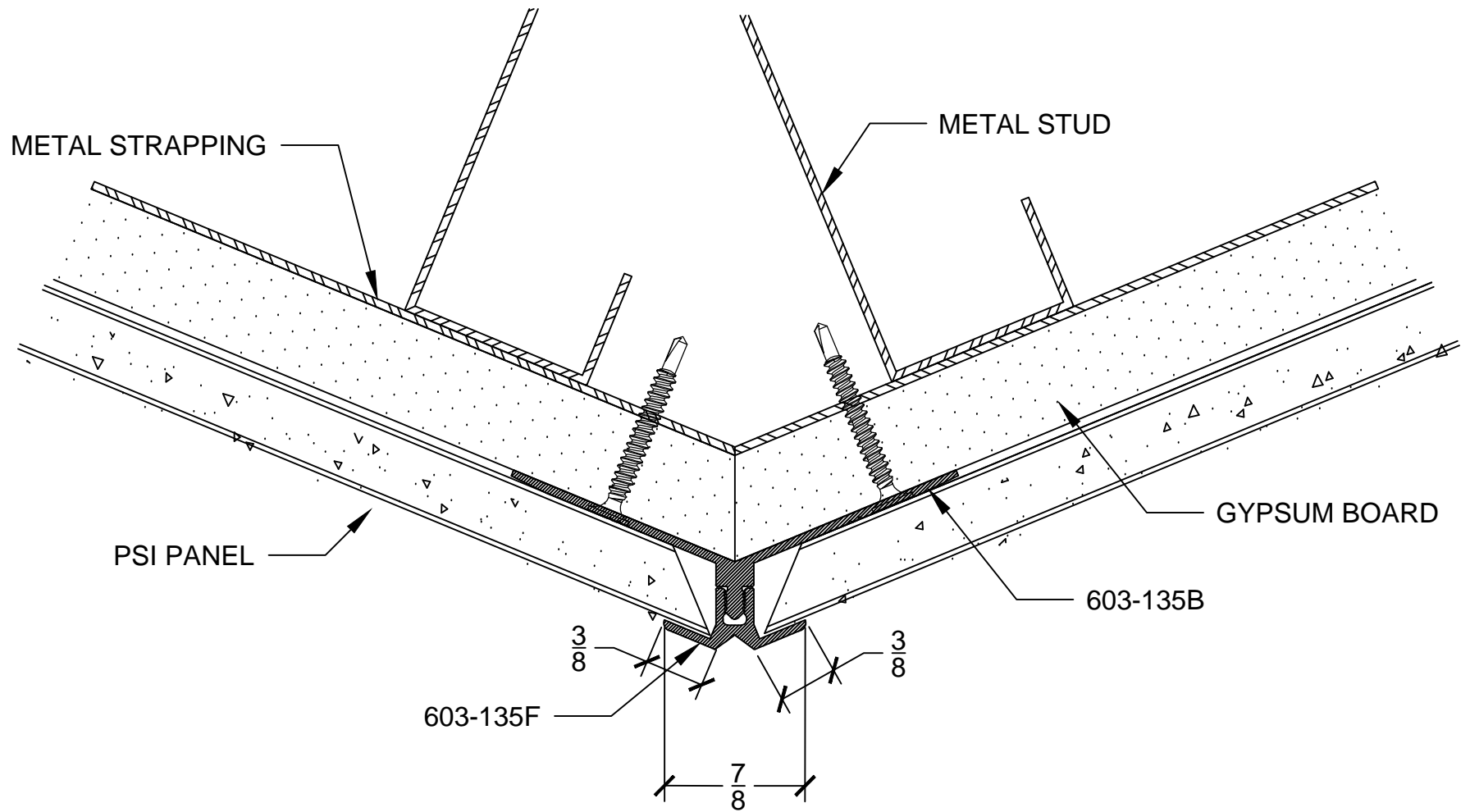
TOP VIEW

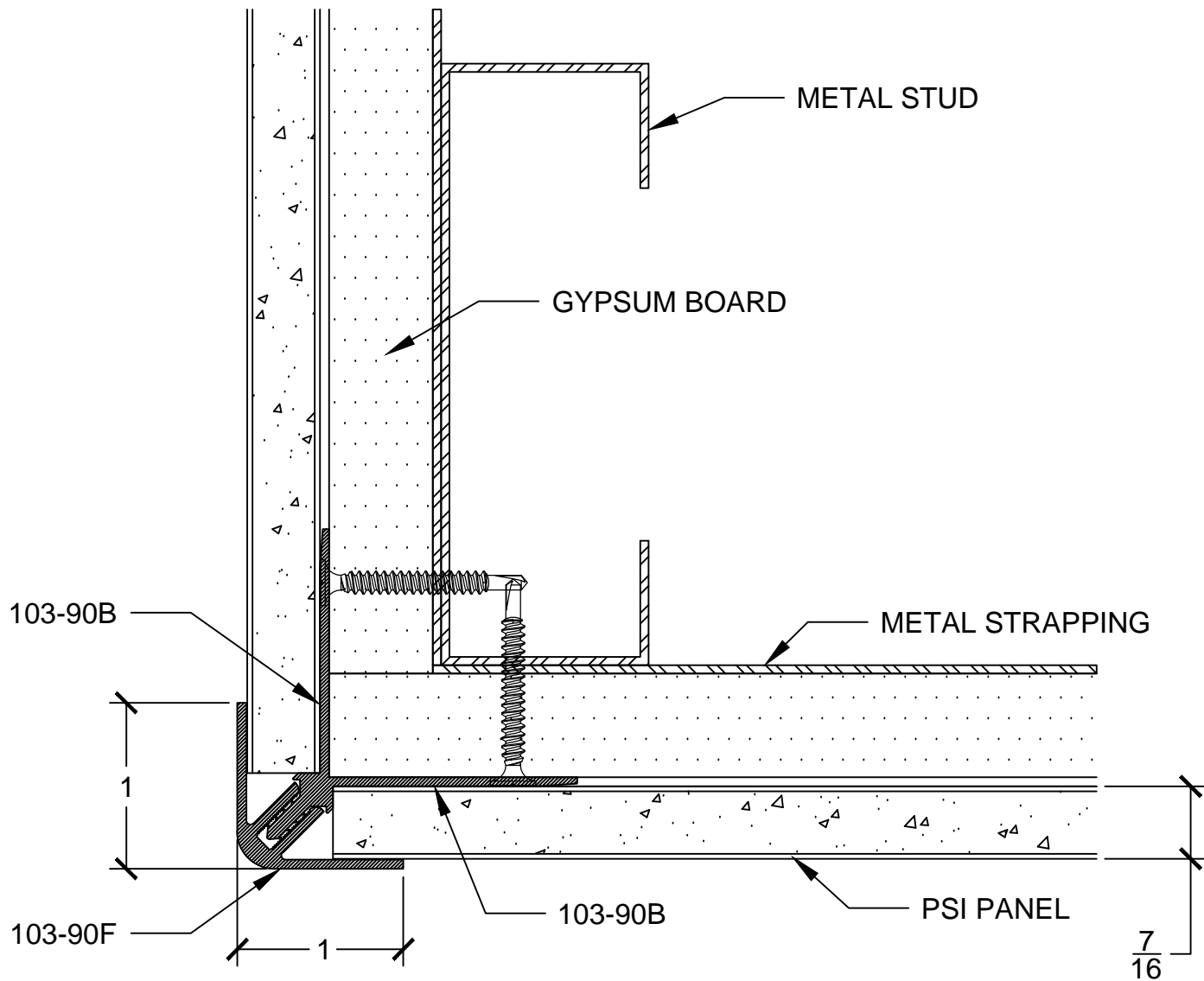


#304 INSIDE CORNER

TOP VIEW

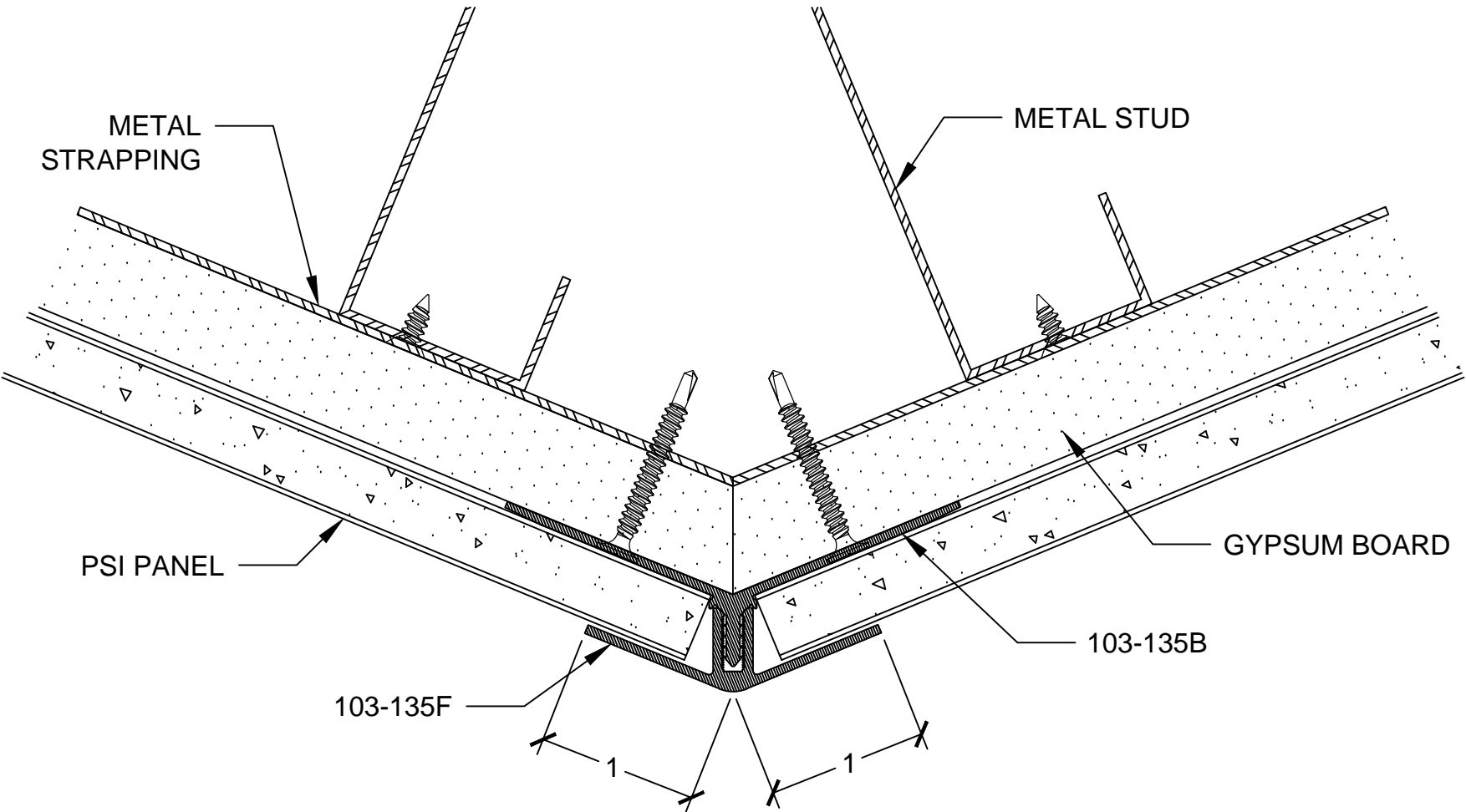






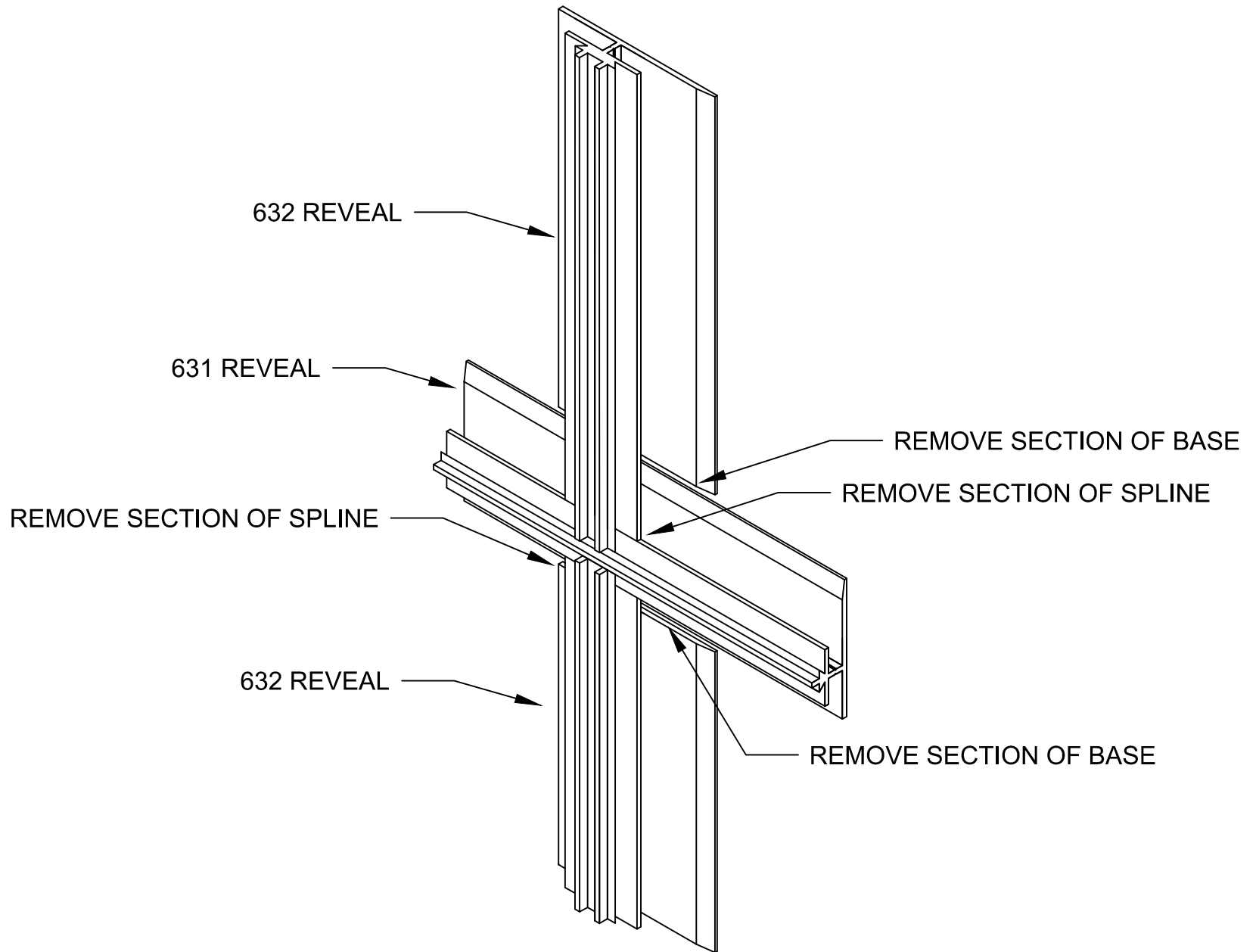
#103-90 OUTSIDE CORNER

TOP VIEW



#103-135 OUTSIDE CORNER

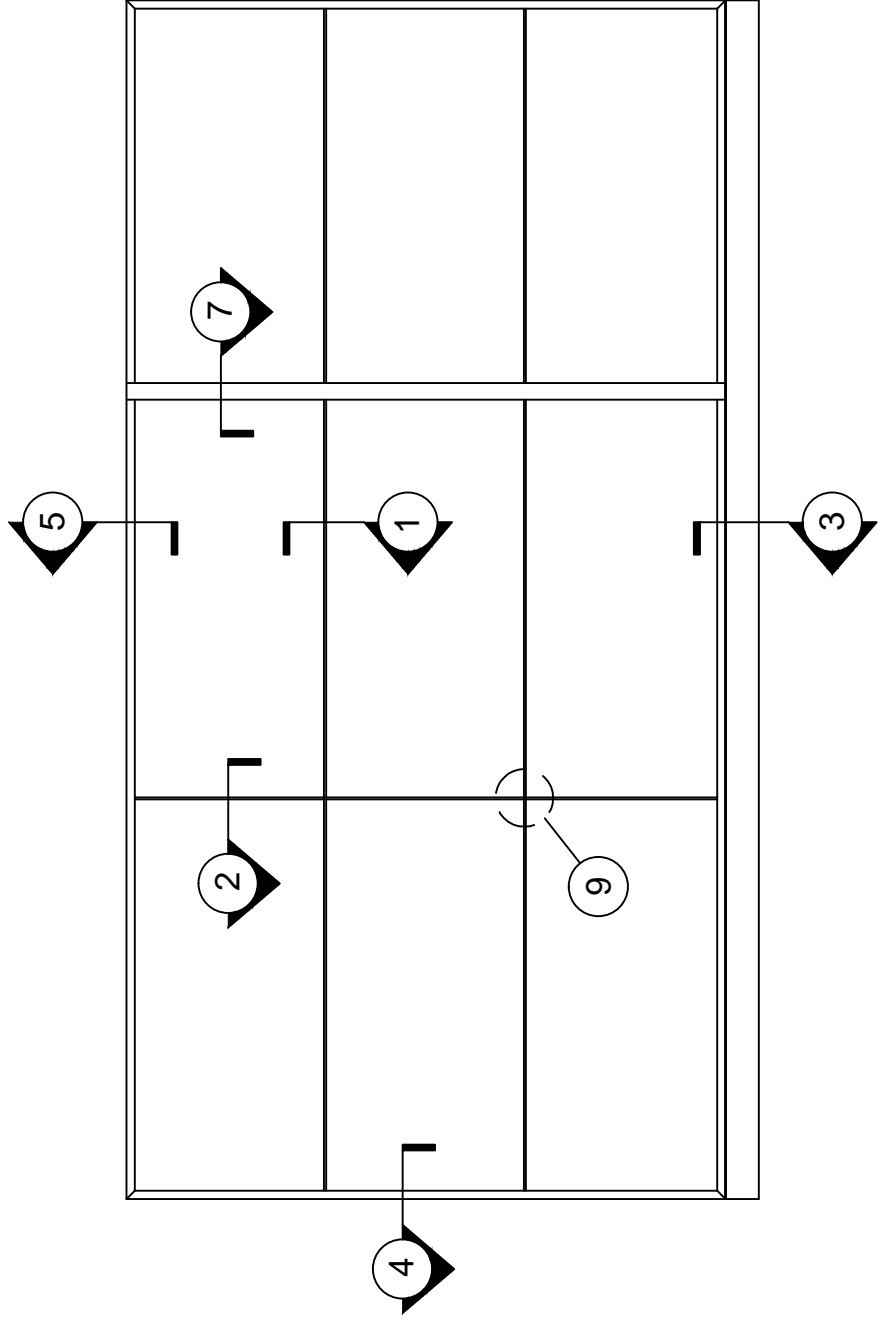
TOP VIEW



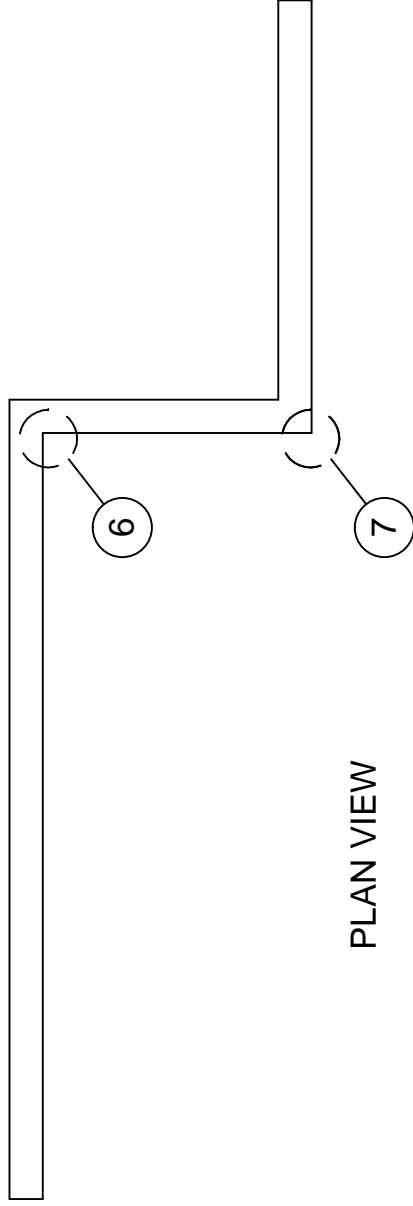
#631-632 REVEAL INTERSECTION DETAIL

ISOMETRIC VIEW

PANEL SPECIALISTS INC.
WALL PANEL SYSTEM 631-632



ELEVATION VIEW



PLAN VIEW