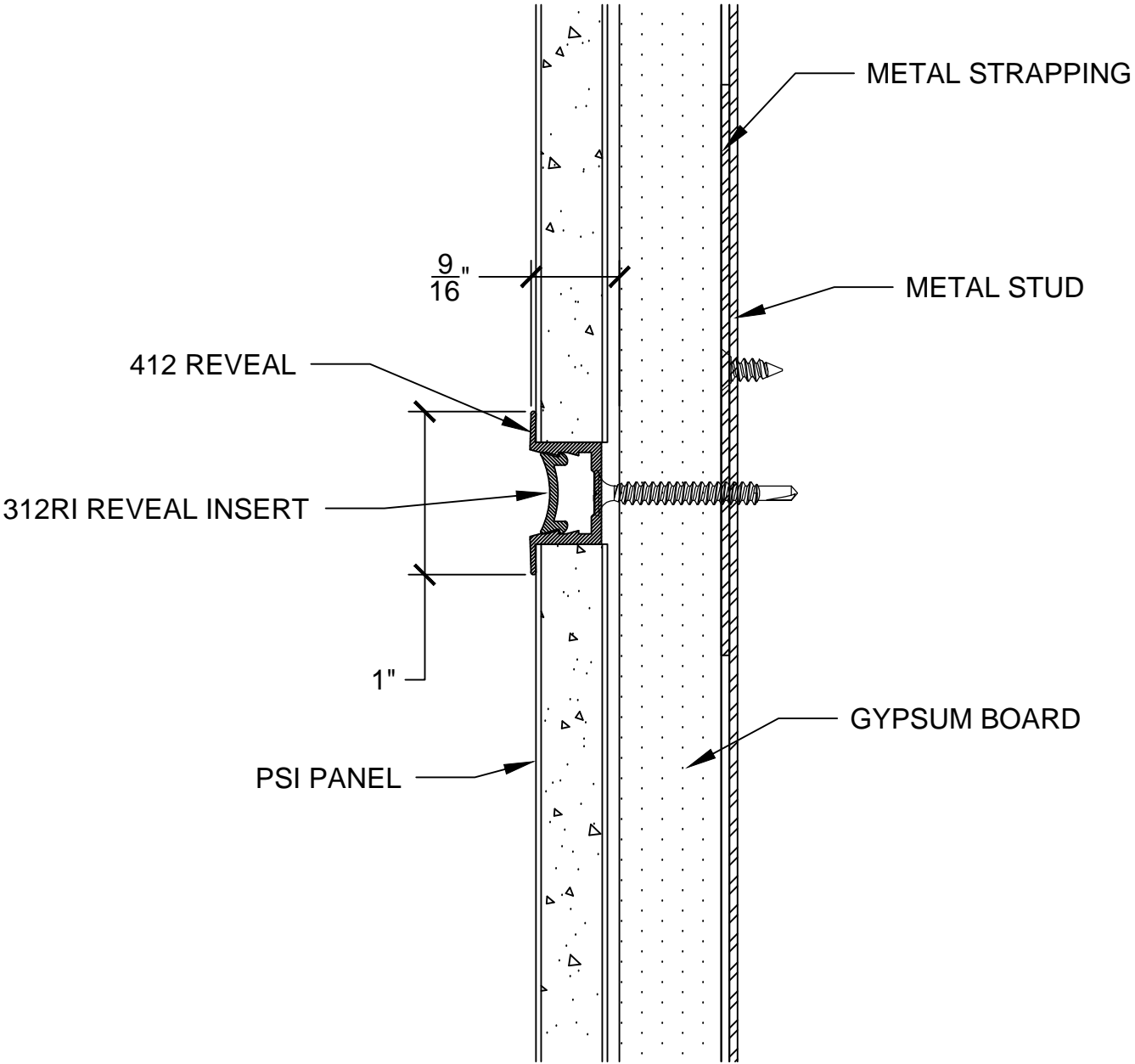


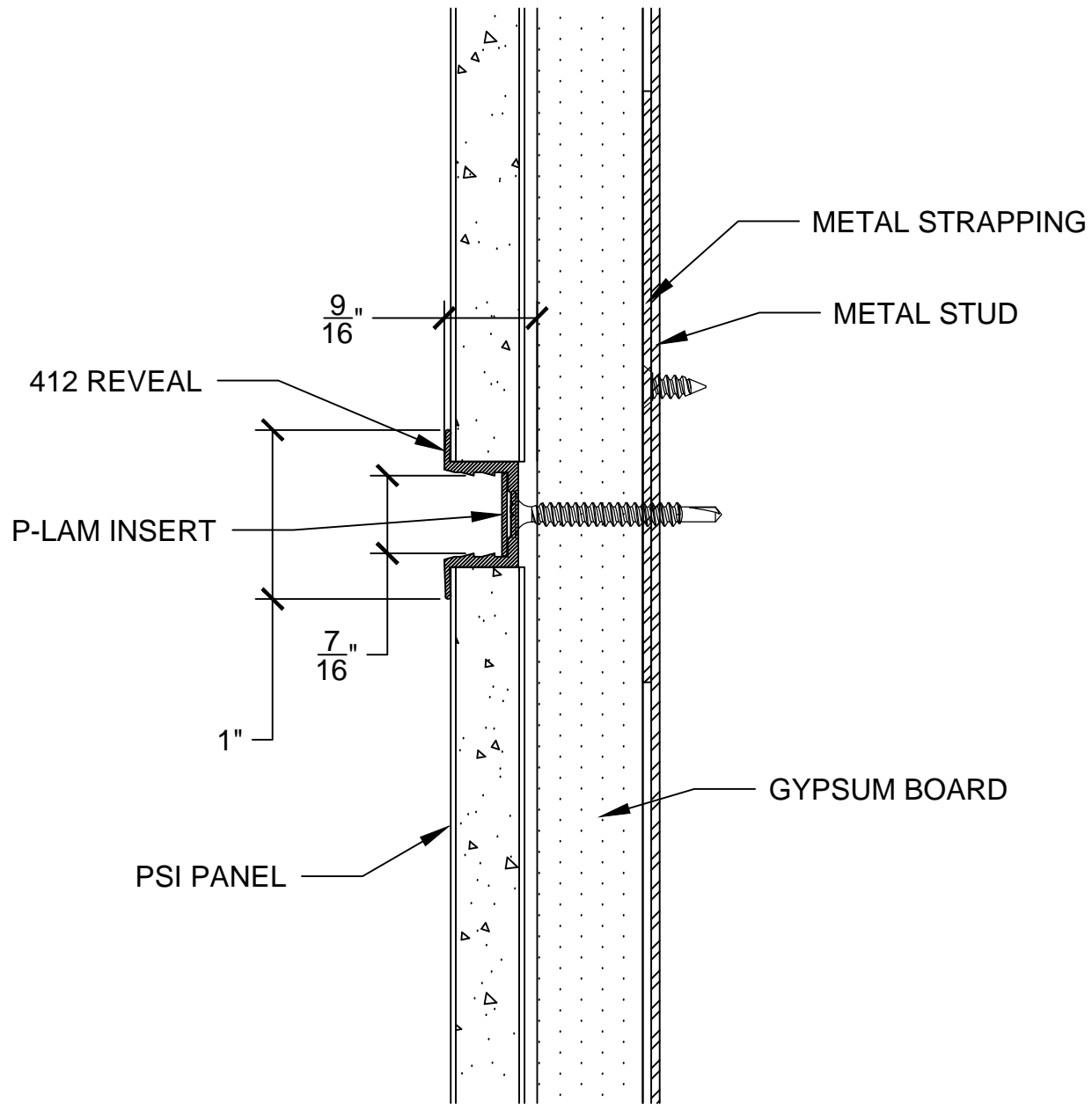
#412 HORIZONTAL REVEAL / DIVIDER

RIGHT SIDE VIEW



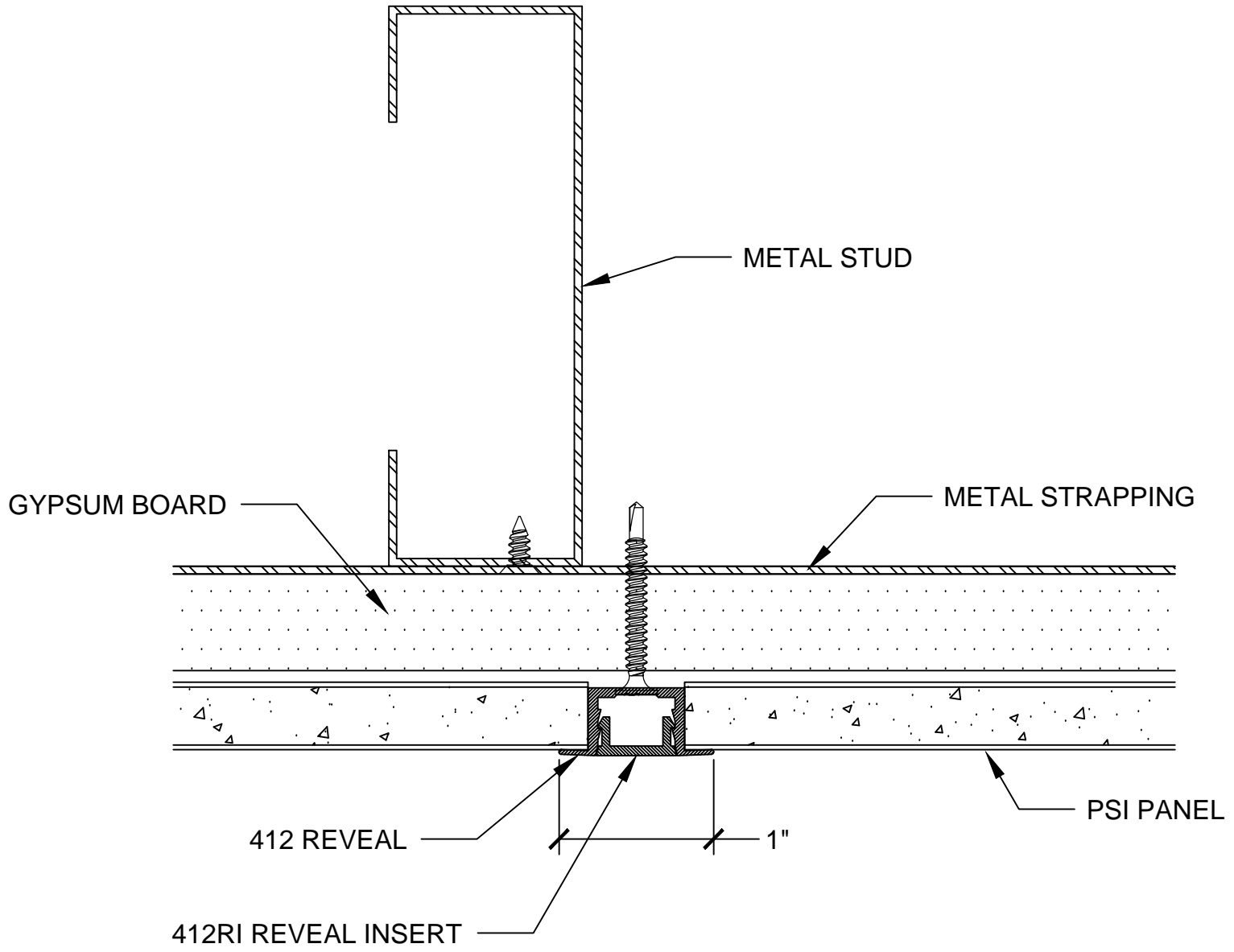
#412 HORIZONTAL REVEAL / DIVIDER

RIGHT SIDE VIEW



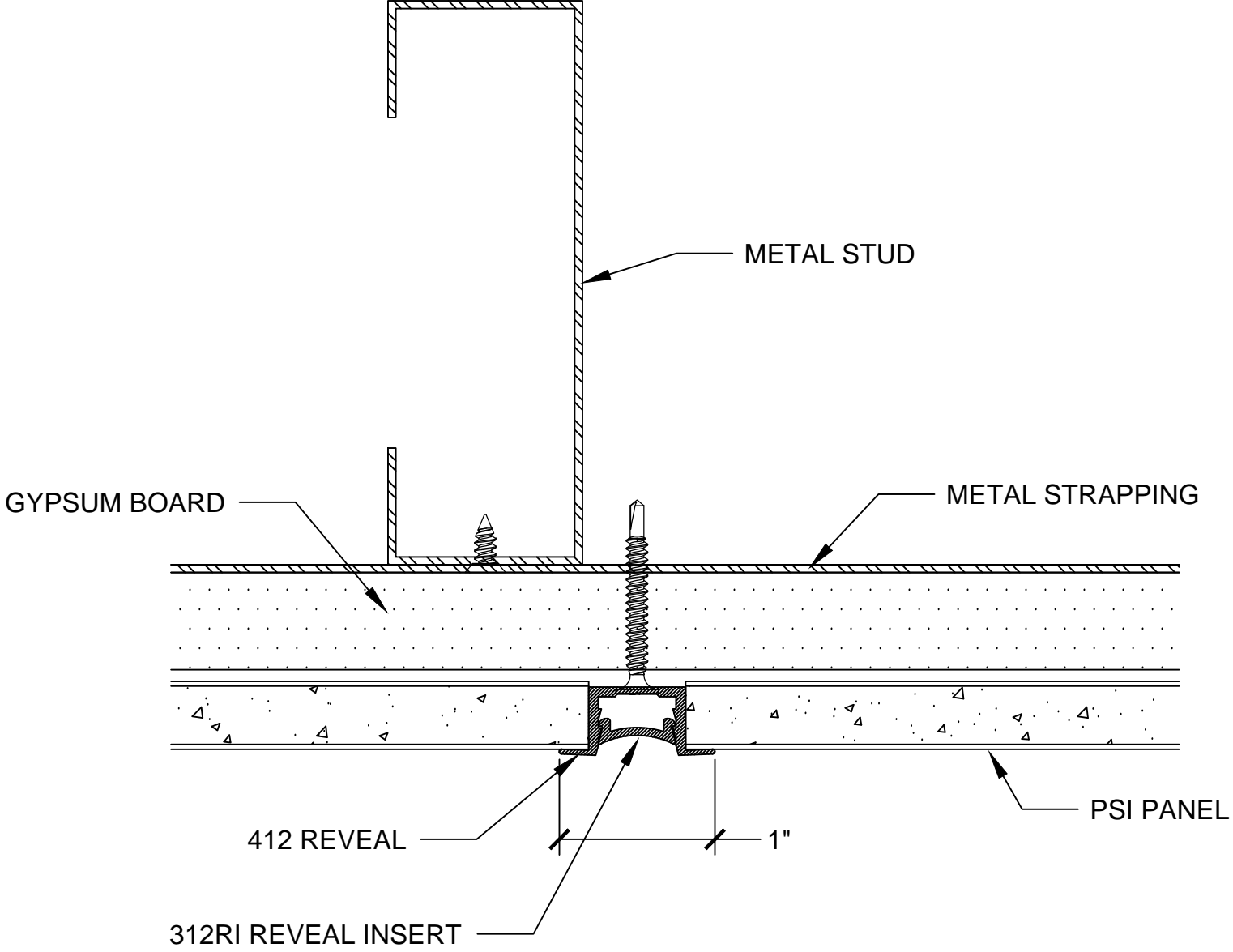
#412 HORIZONTAL REVEAL / DIVIDER

RIGHT SIDE VIEW



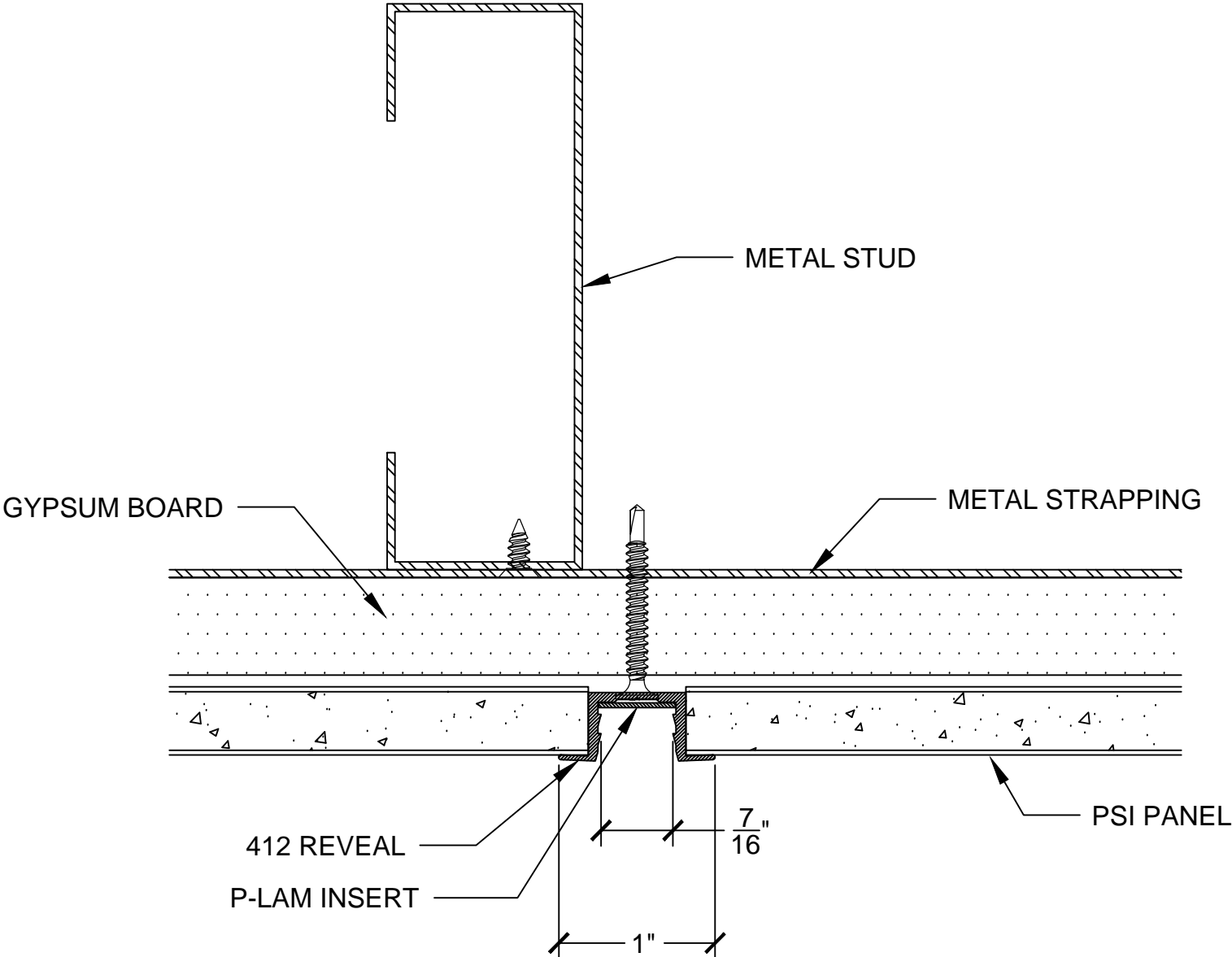
#412 VERTICAL REVEAL / DIVIDER

TOP VIEW



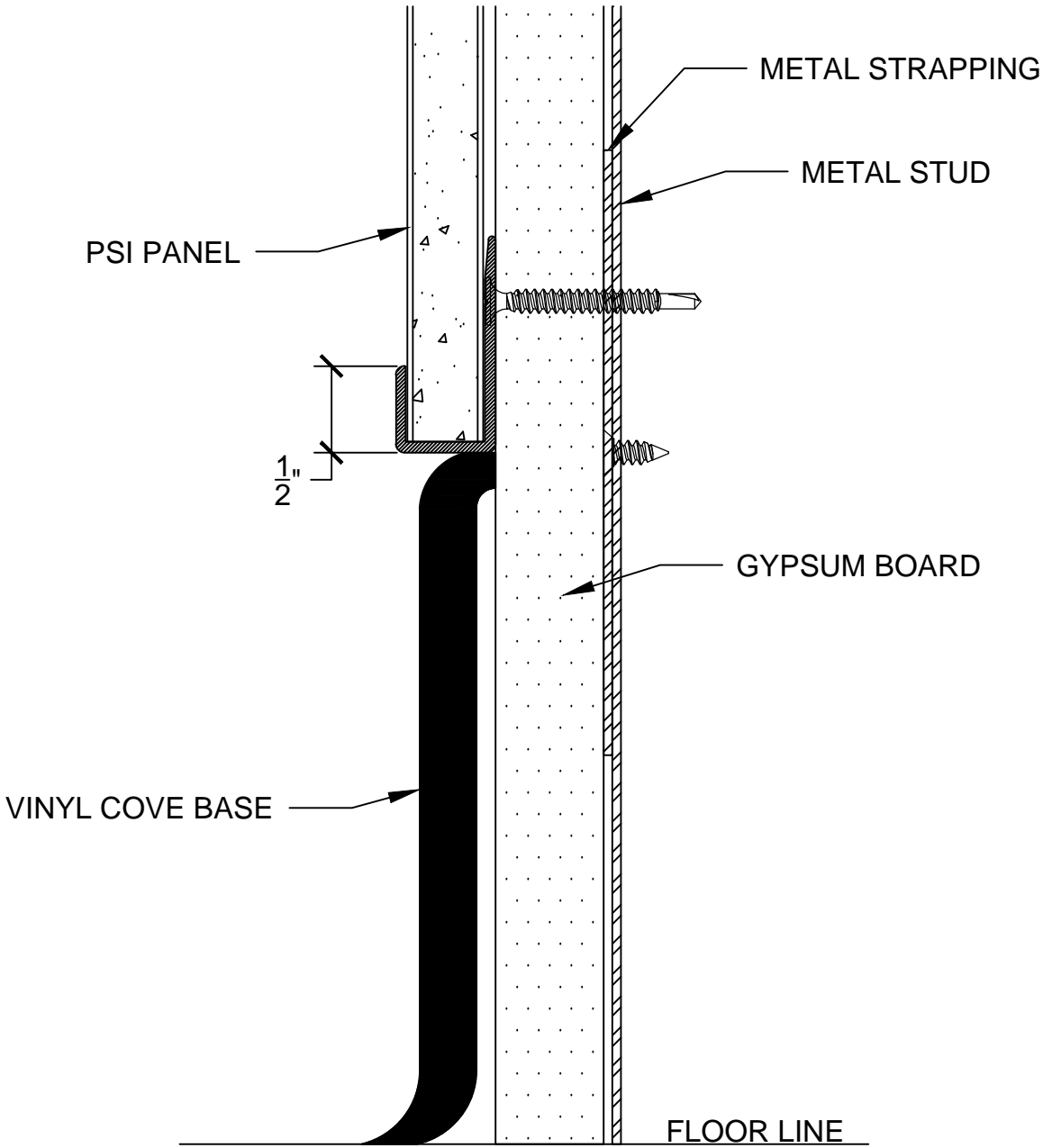
#412 VERTICAL REVEAL / DIVIDER

TOP VIEW



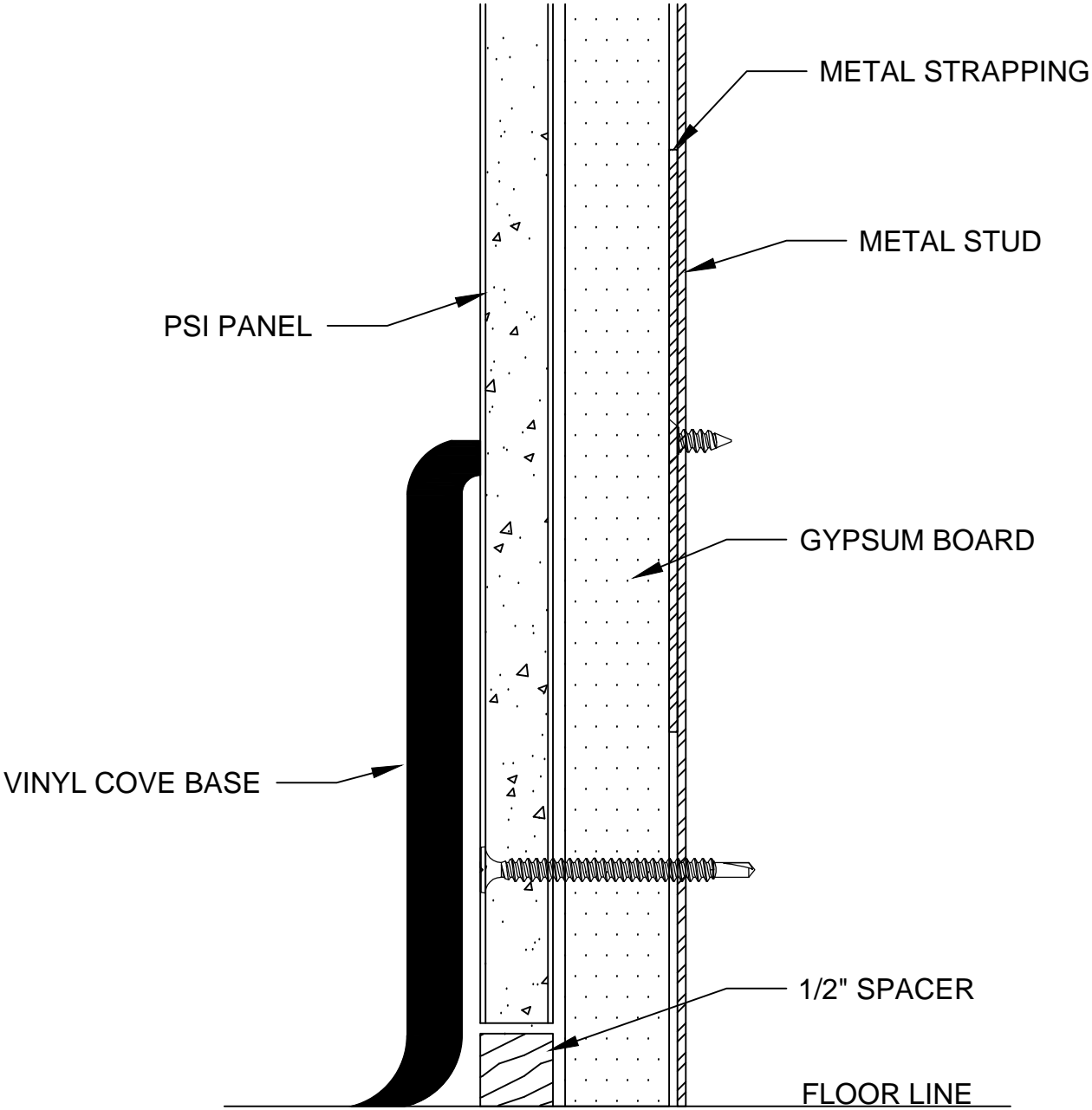
#412 VERTICAL REVEAL / DIVIDER

TOP VIEW



#304 HORIZONTAL TRIM - ABOVE BASE

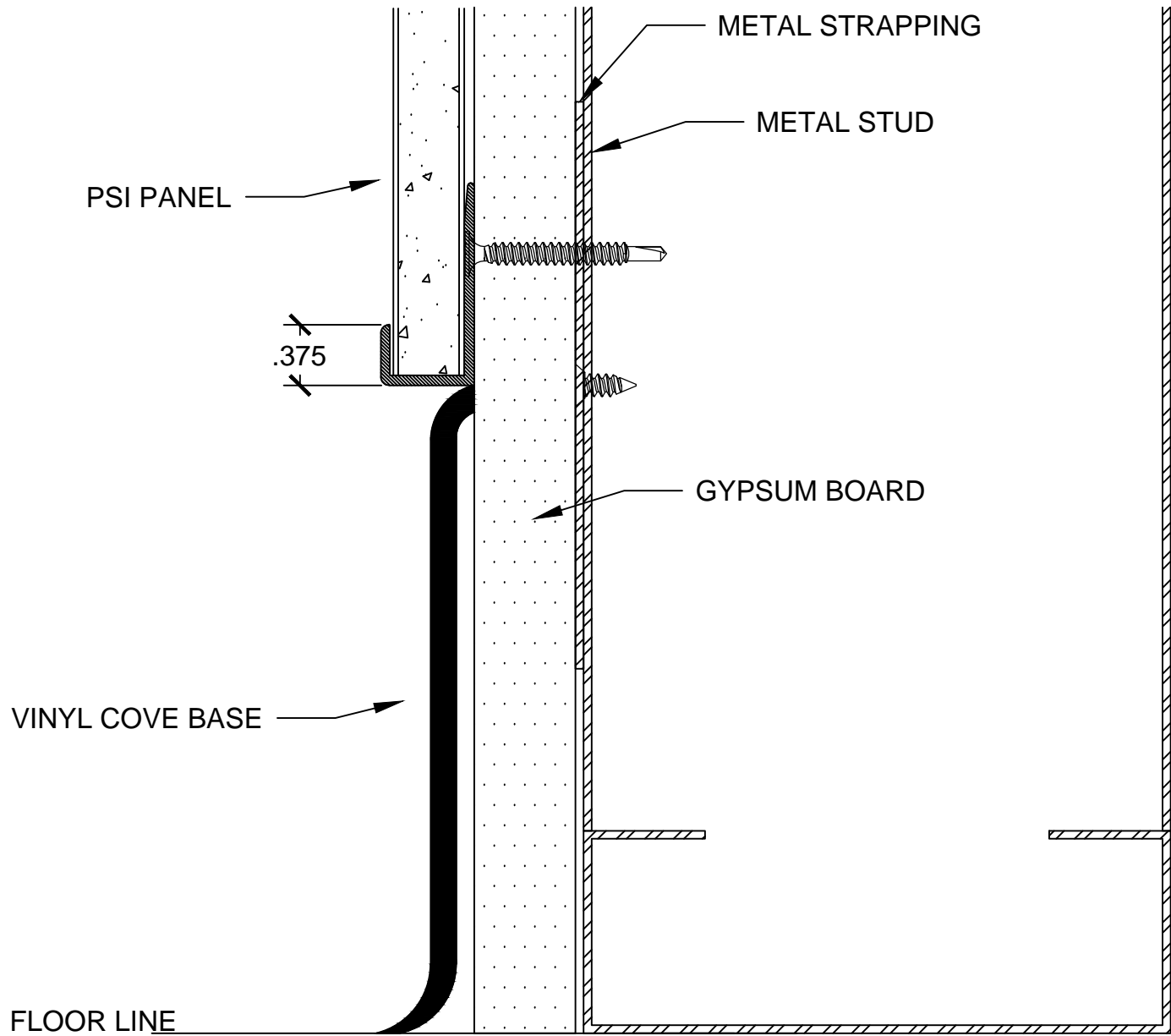
RIGHT SIDE VIEW



ALTERNATE - BEHIND BASE

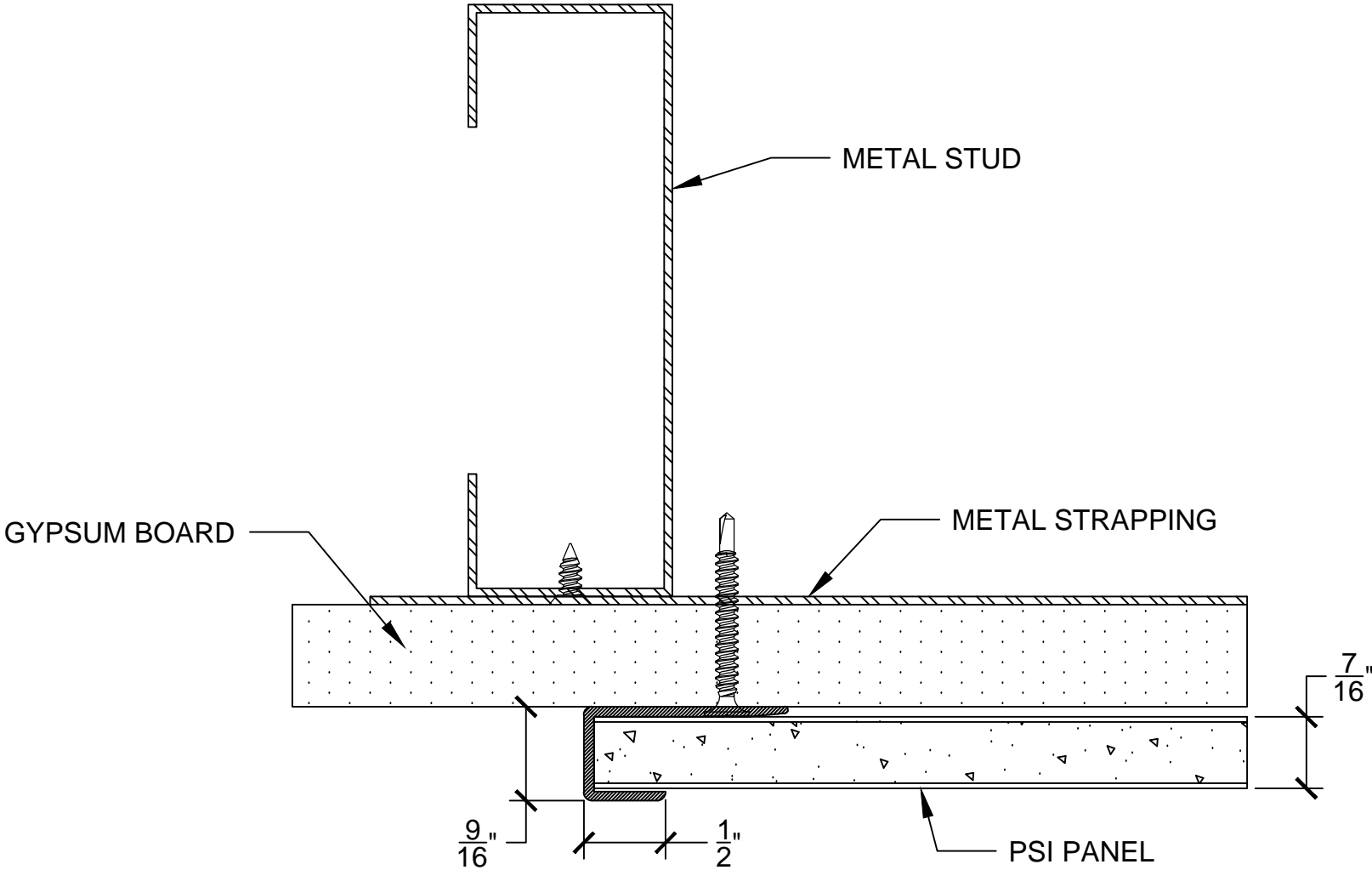
RIGHT SIDE VIEW





#604 HORIZONTAL TRIM - ABOVE BASE

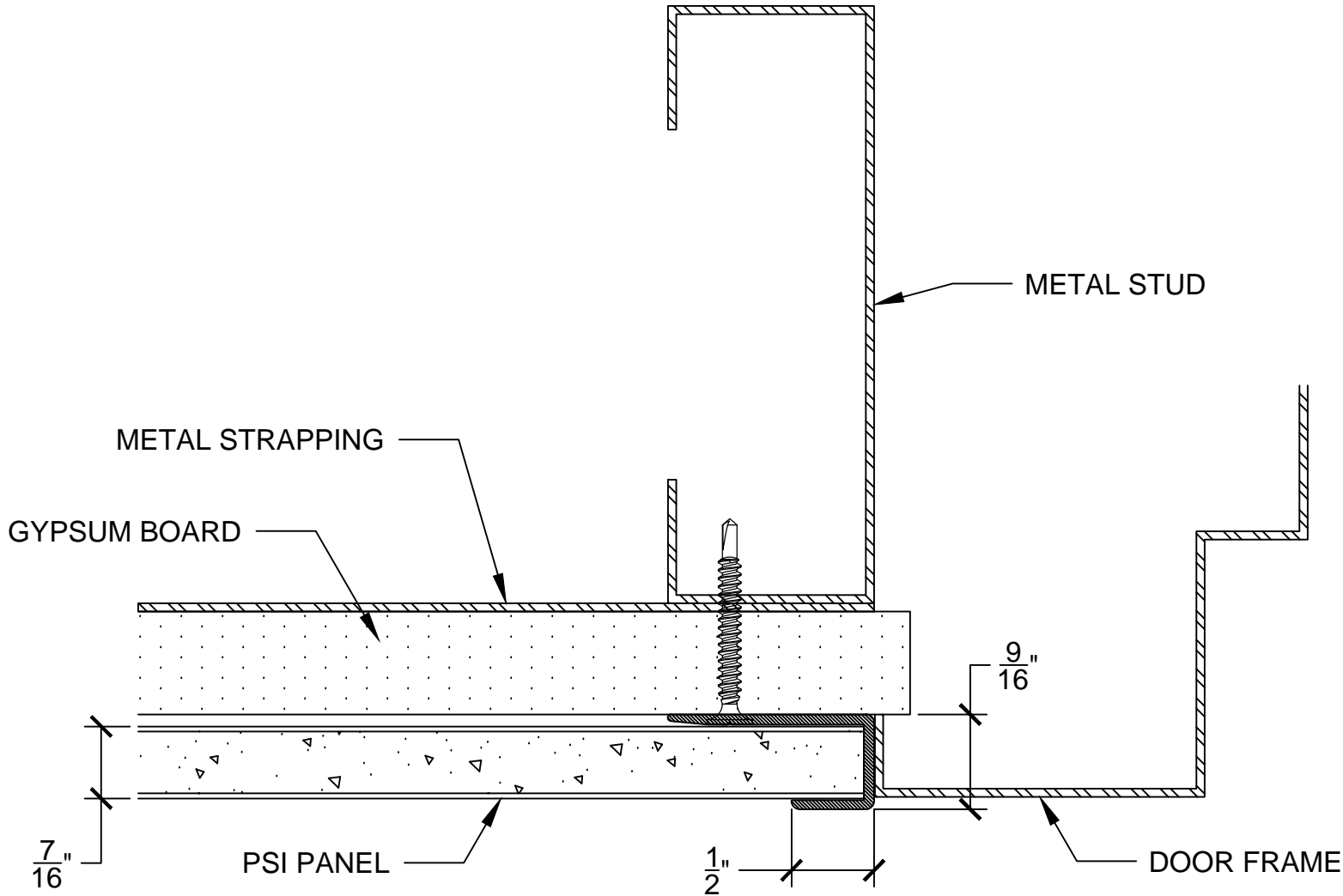
RIGHT SIDE VIEW



#304 VERTICAL EDGE TRIM

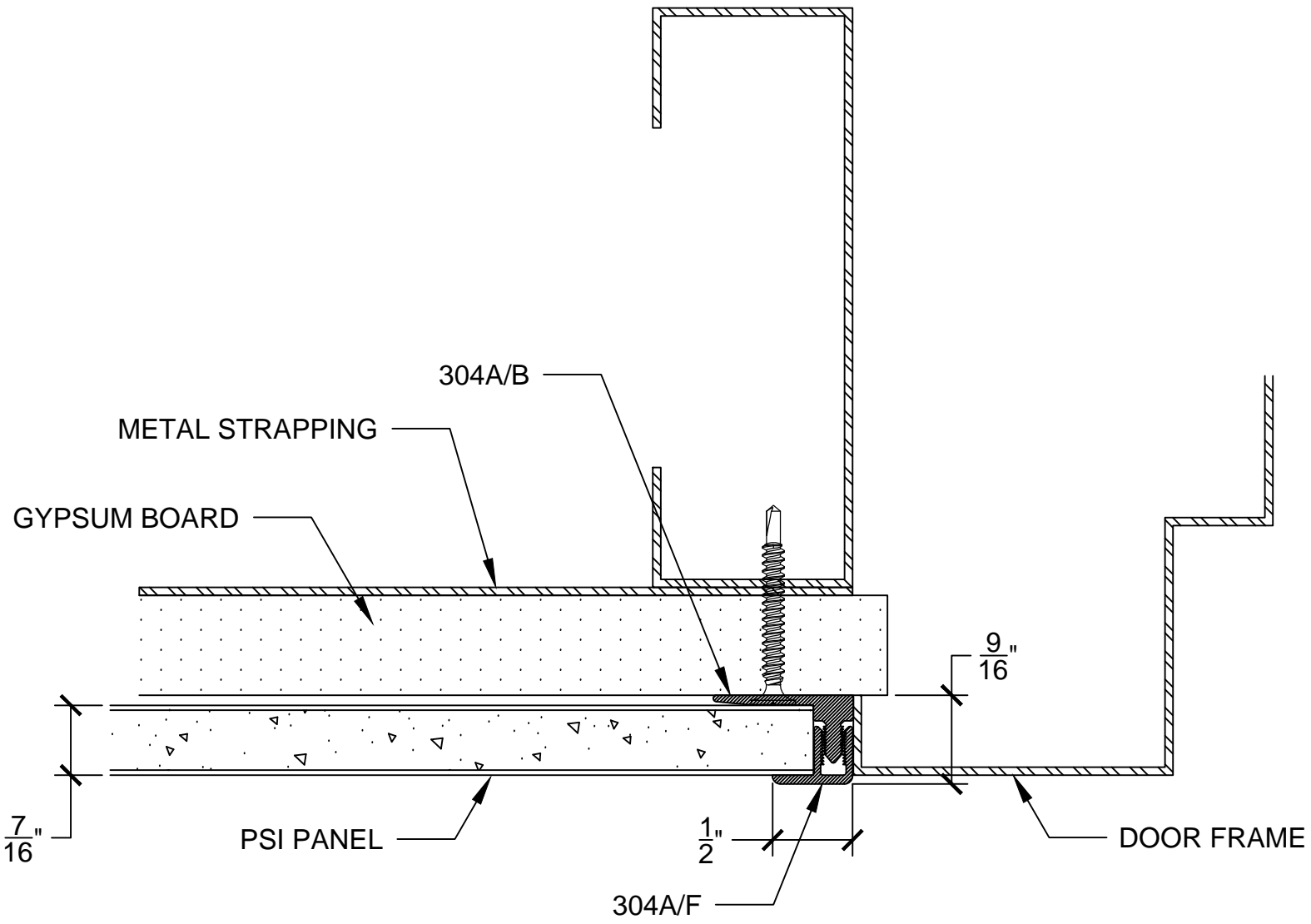
TOP VIEW





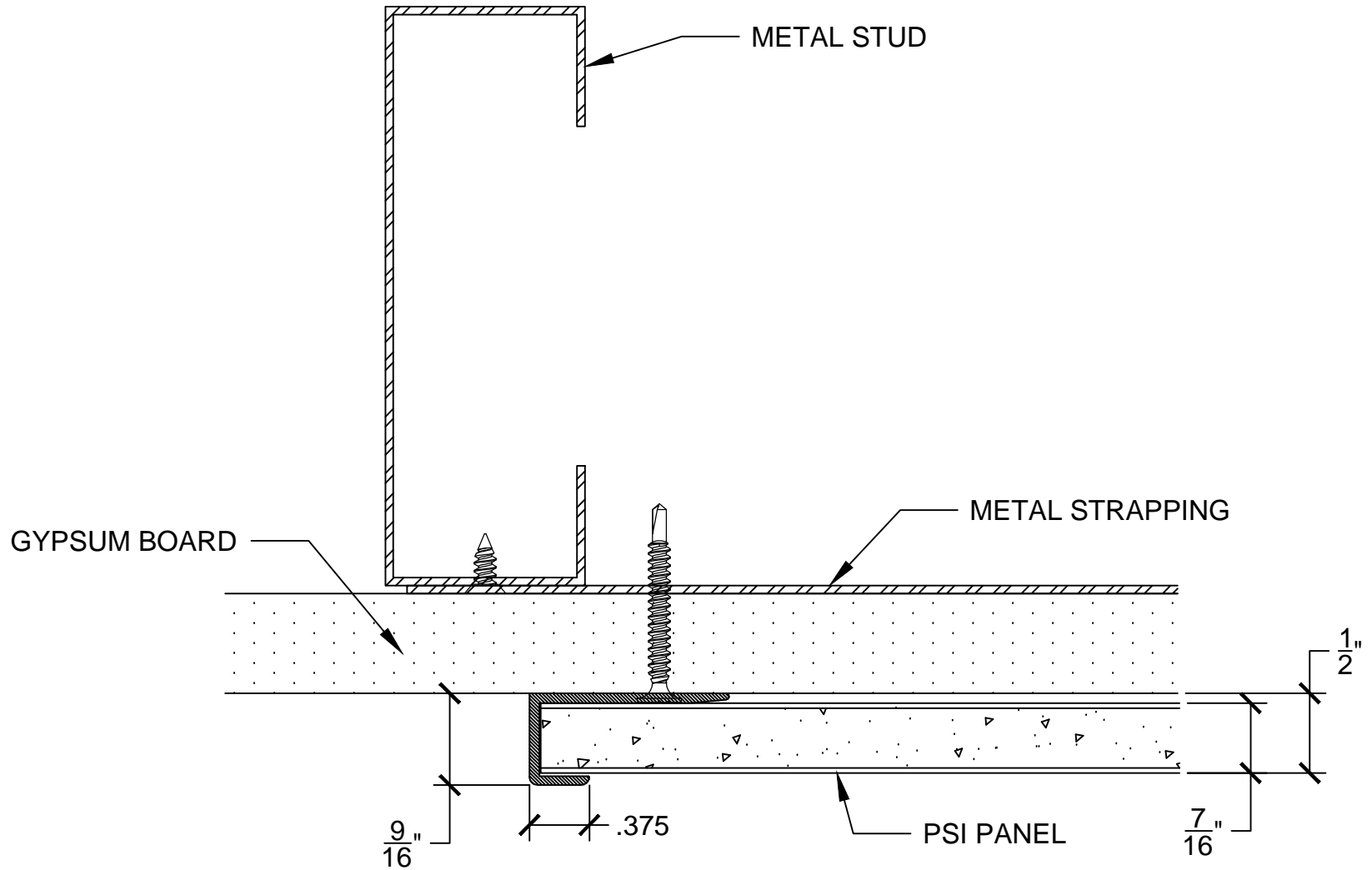
#304 EDGE TRIM @ DOOR OR WINDOW FRAME

TOP VIEW



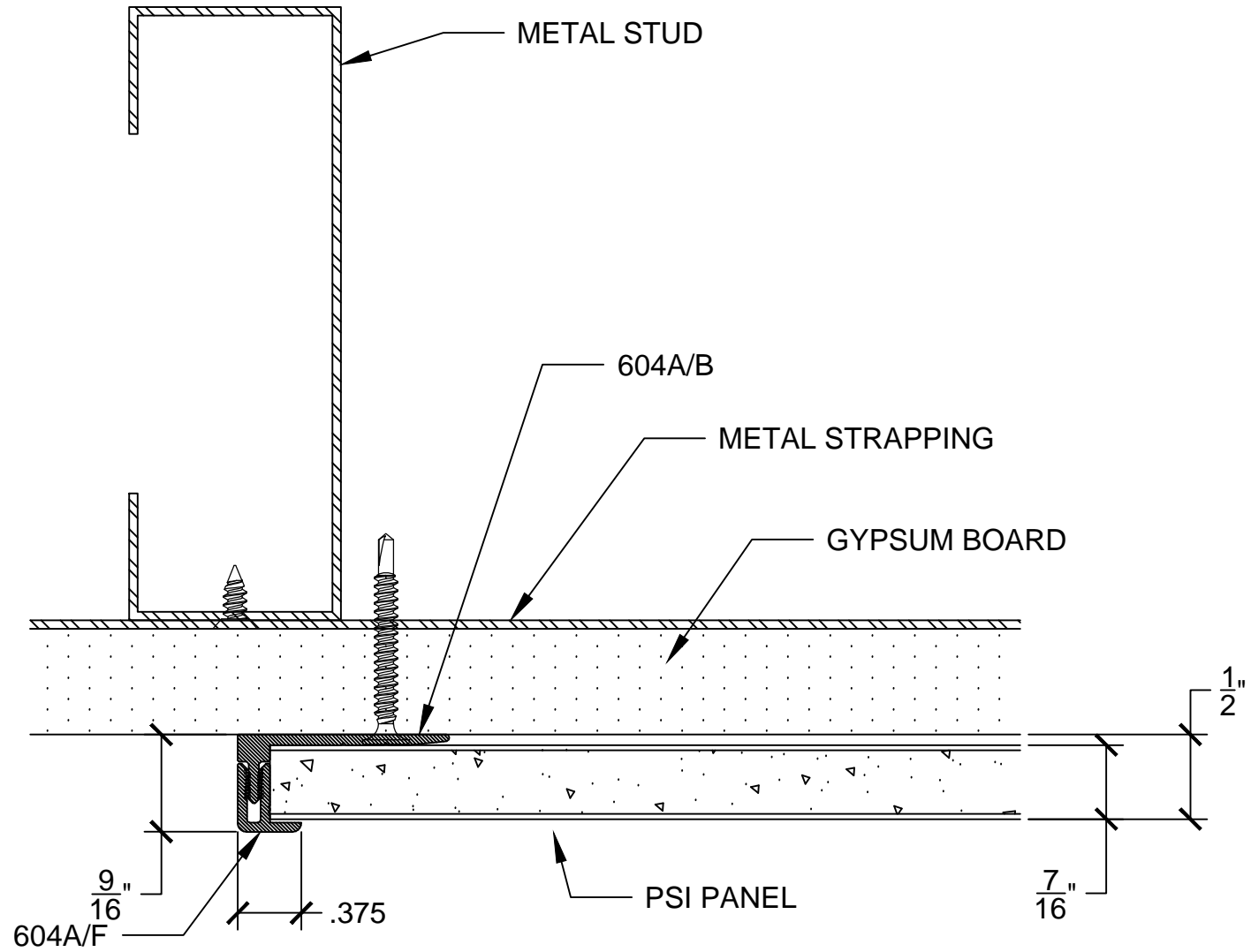
#304A EDGE TRIM @ DOOR OR WINDOW FRAME

TOP VIEW



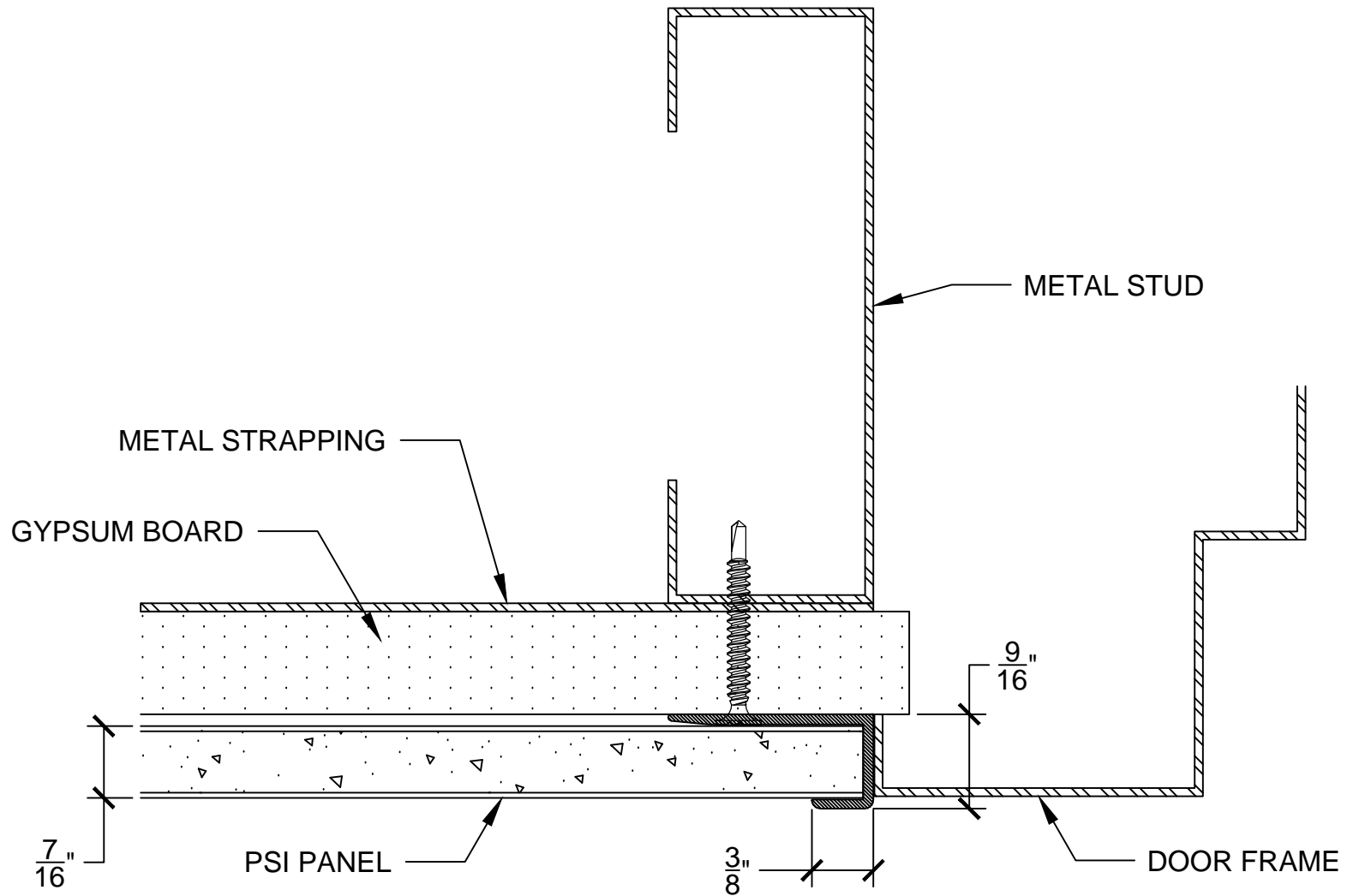
#604 VERTICAL EDGE TRIM

TOP VIEW



#604A VERTICAL EDGE TRIM

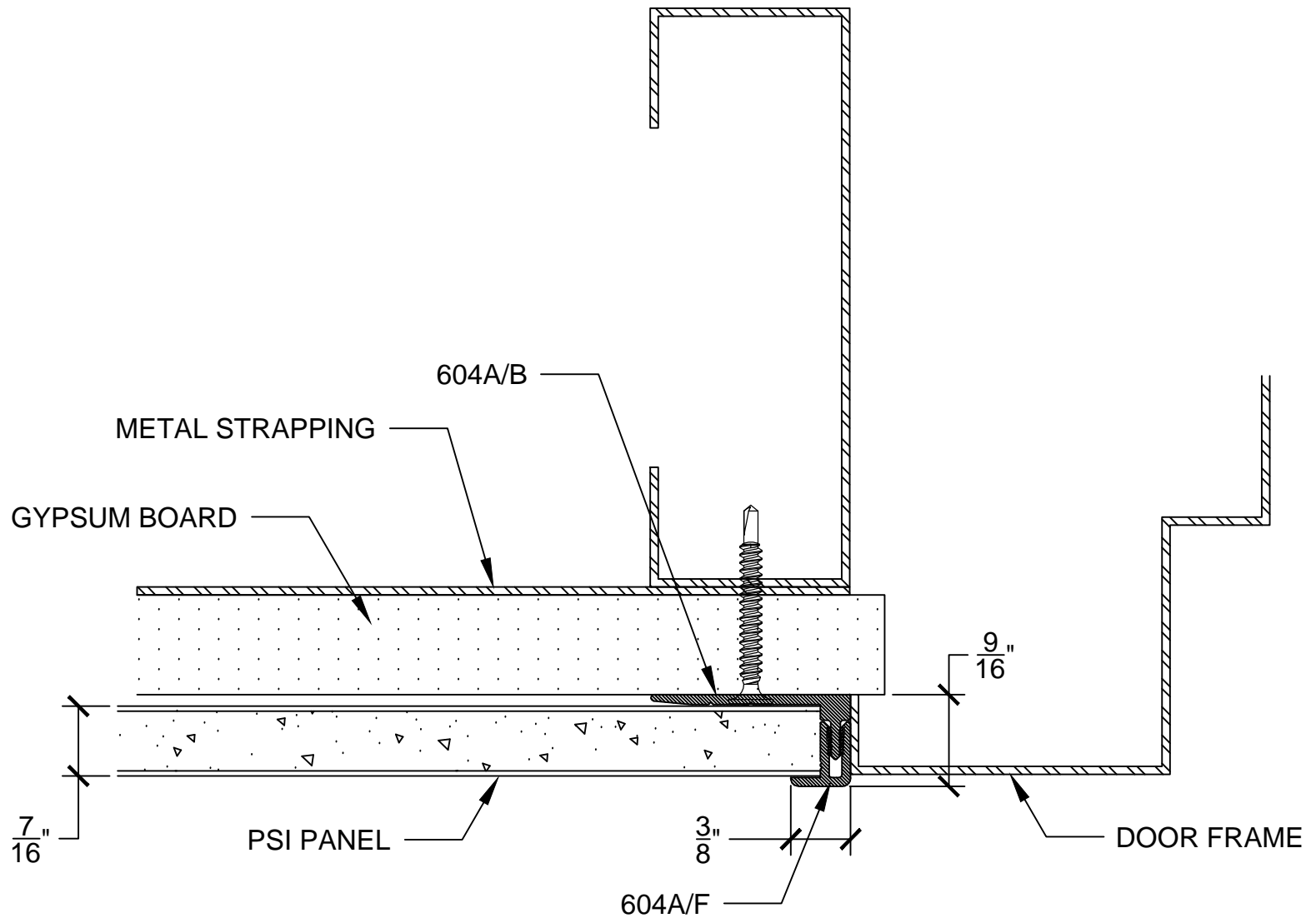
TOP VIEW



#604 EDGE TRIM @ DOOR OR WINDOW FRAME

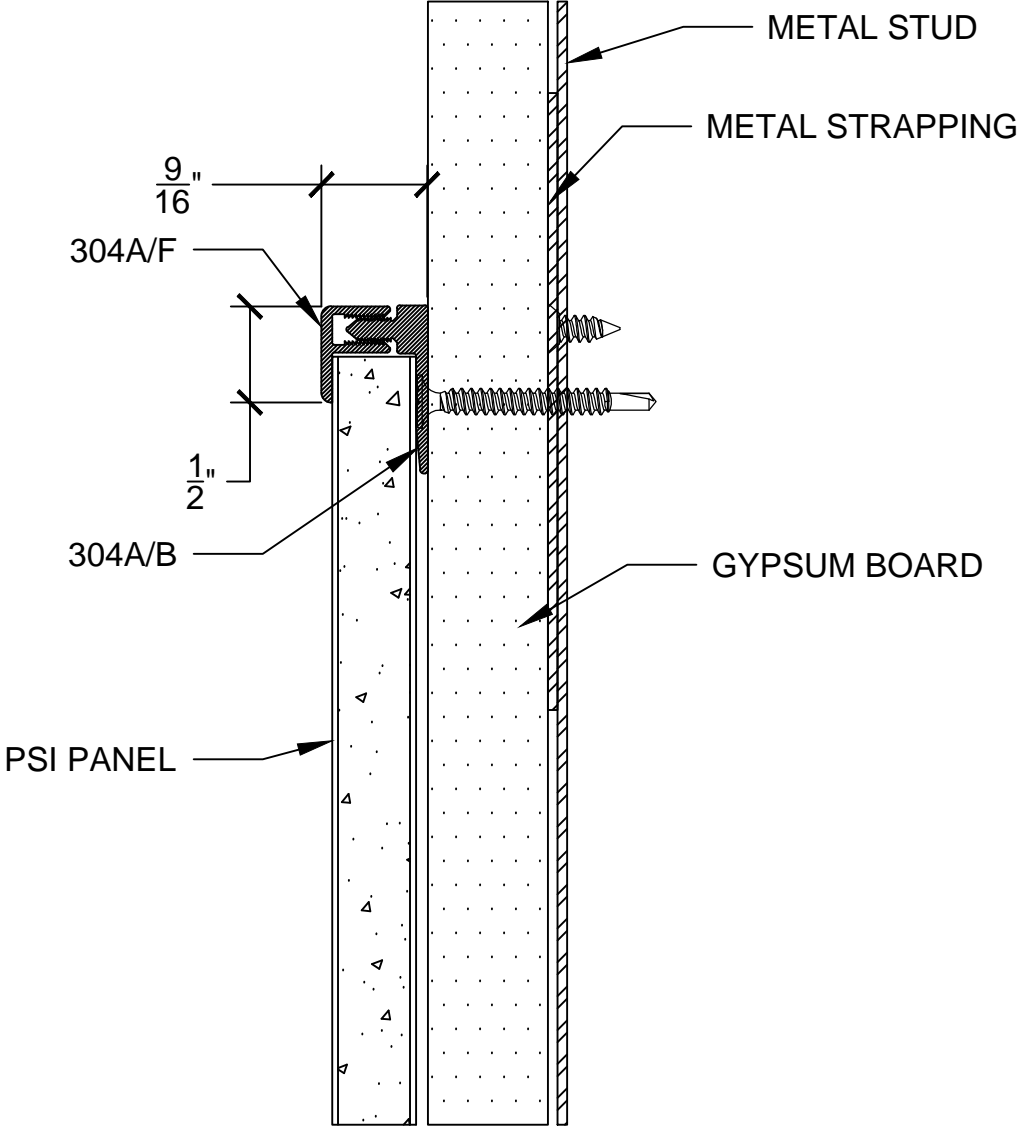
TOP VIEW





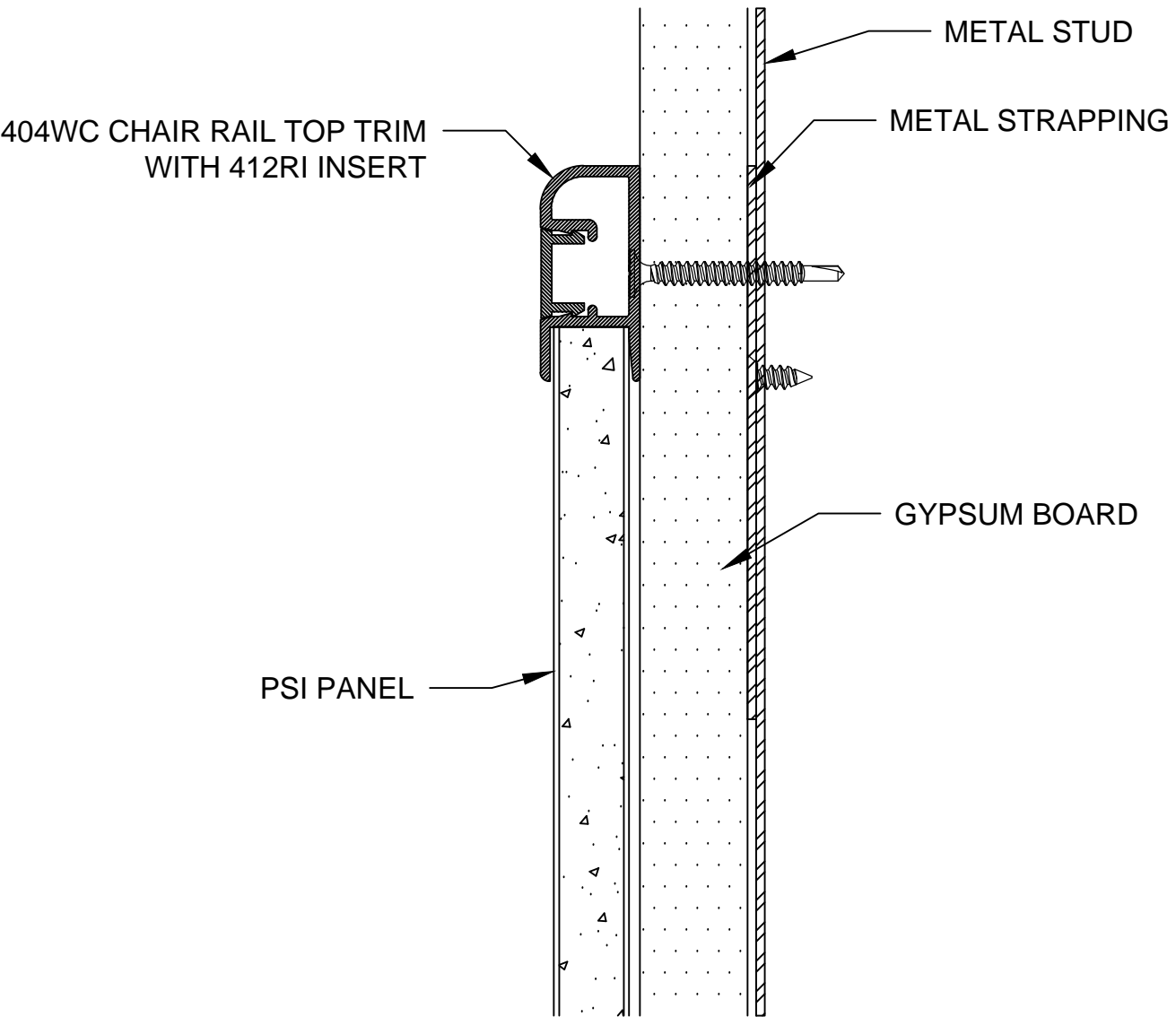
#604A EDGE TRIM @ DOOR OR WINDOW FRAME

TOP VIEW



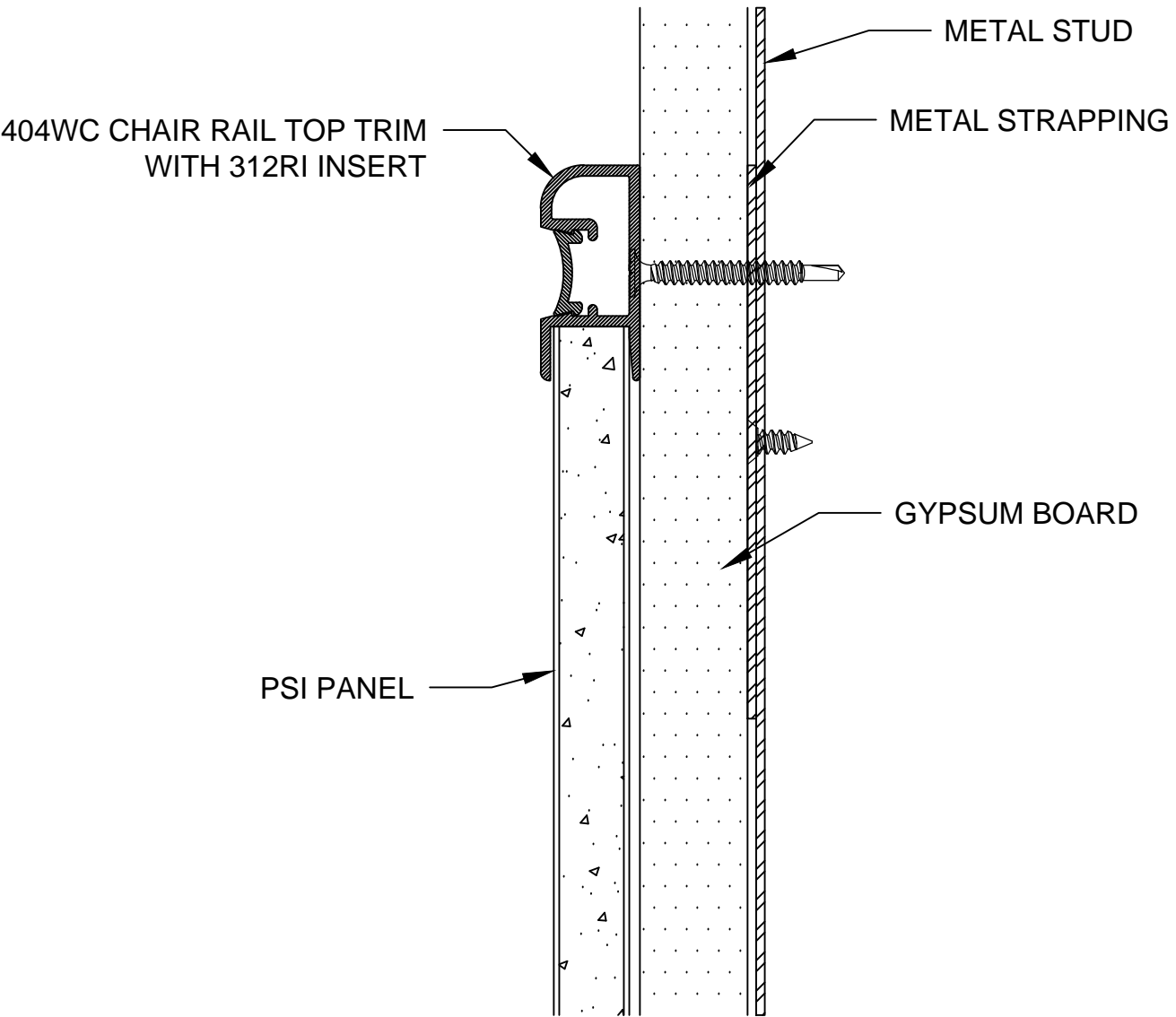
#304A TOP TRIM

RIGHT SIDE VIEW



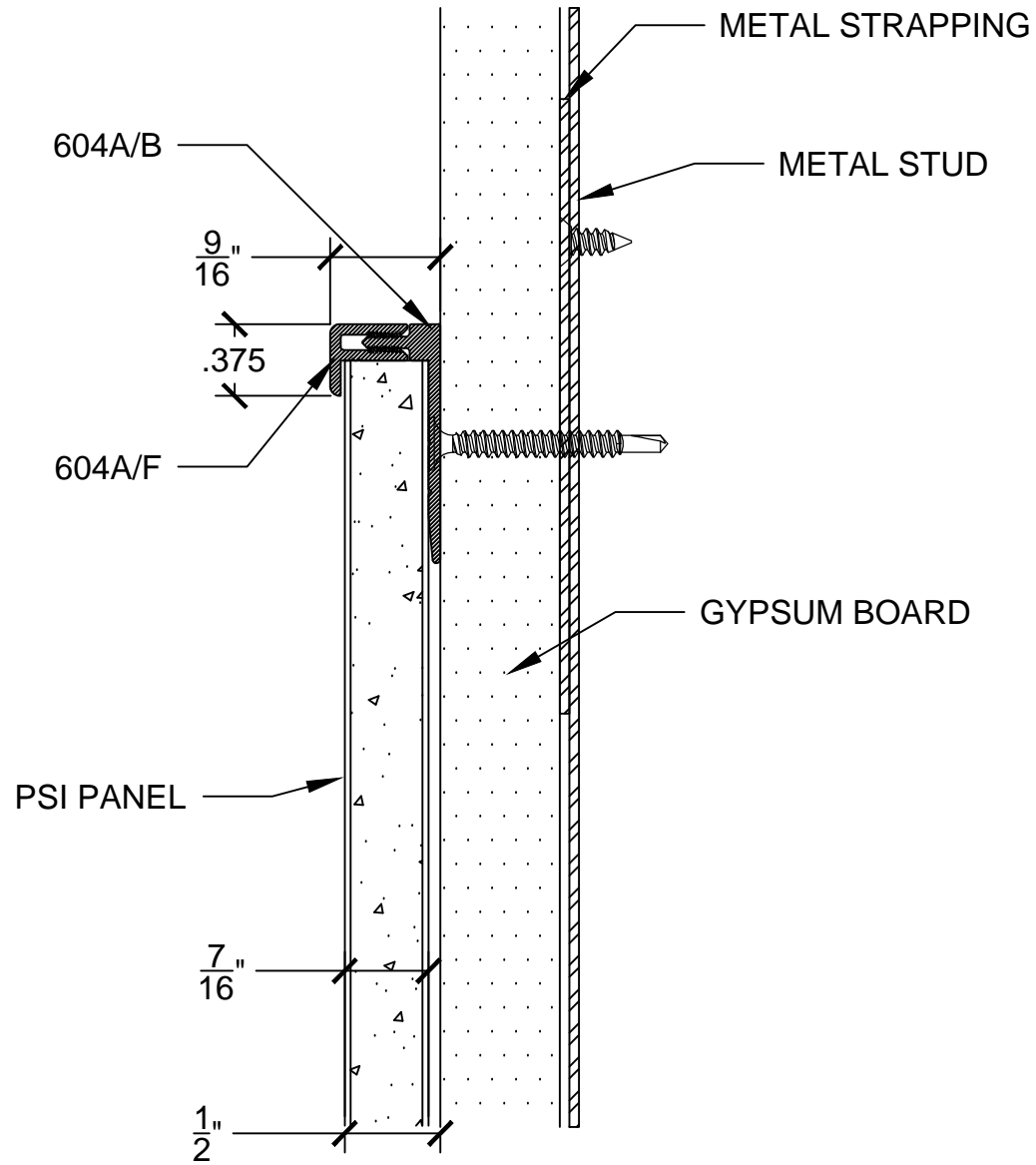
404WC WAINSCOT CHAIR RAIL TOP TRIM

RIGHT SIDE VIEW



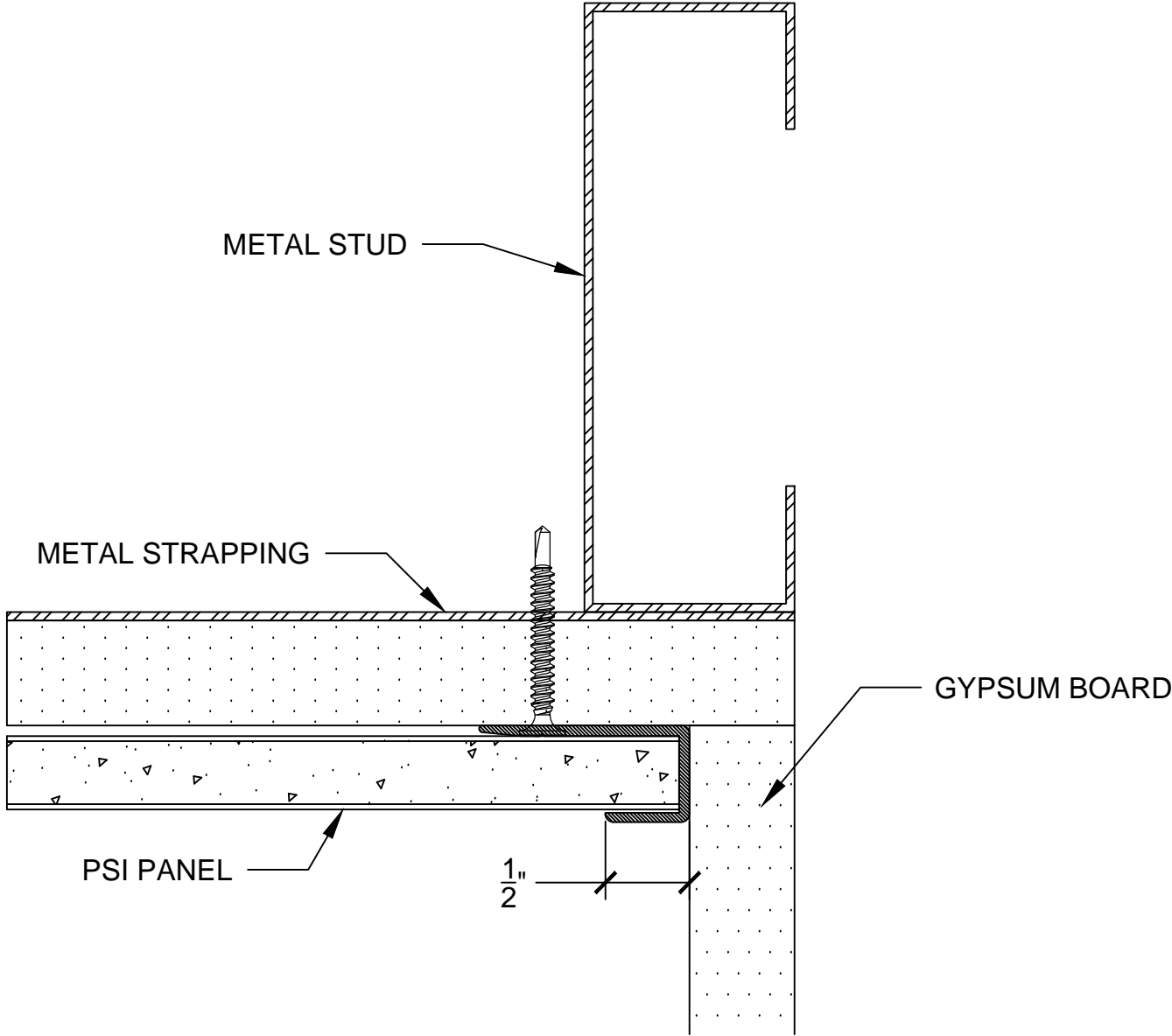
404WC WAINSCOT CHAIR RAIL TOP TRIM

RIGHT SIDE VIEW



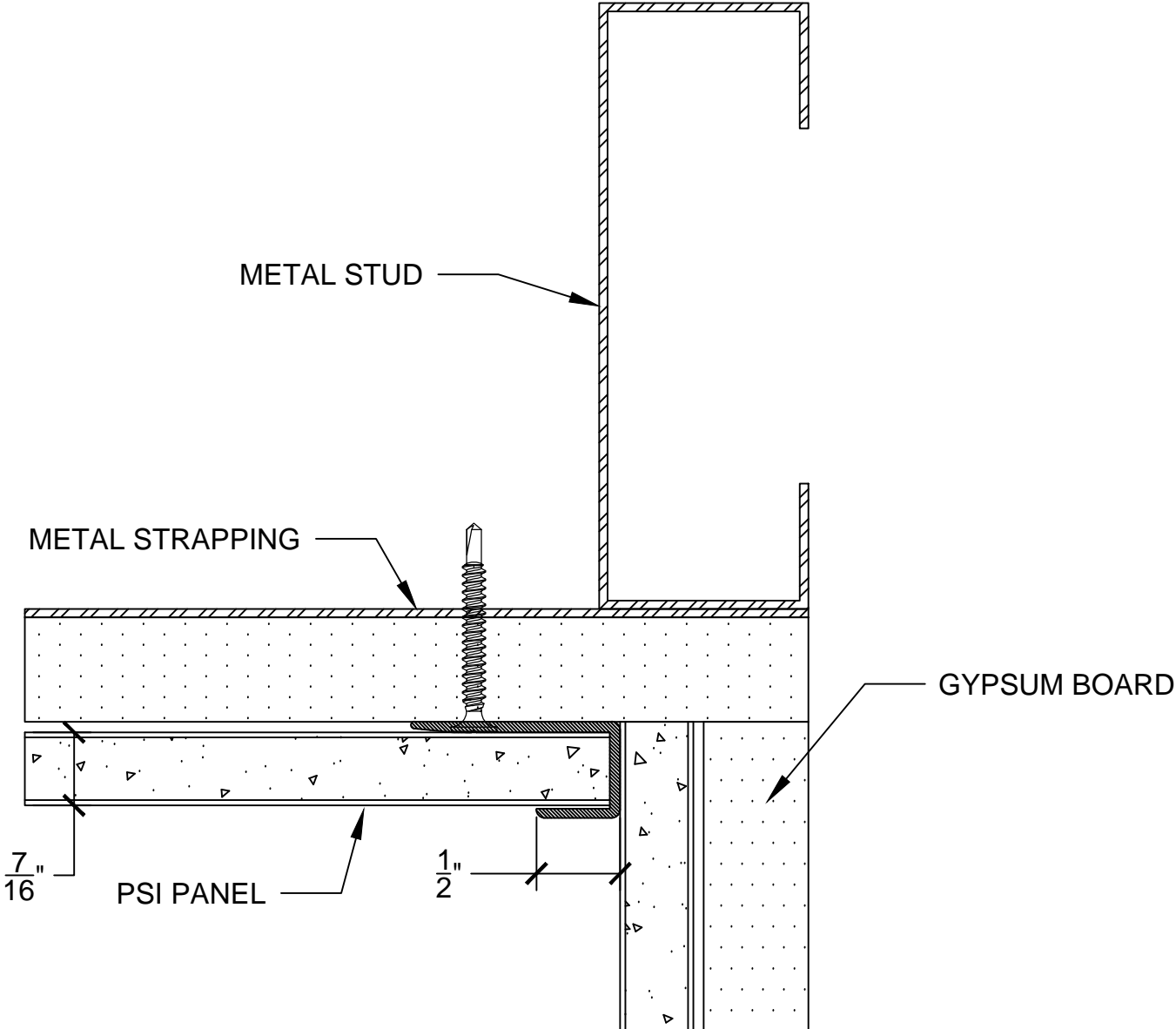
#604A TOP TRIM

RIGHT SIDE VIEW



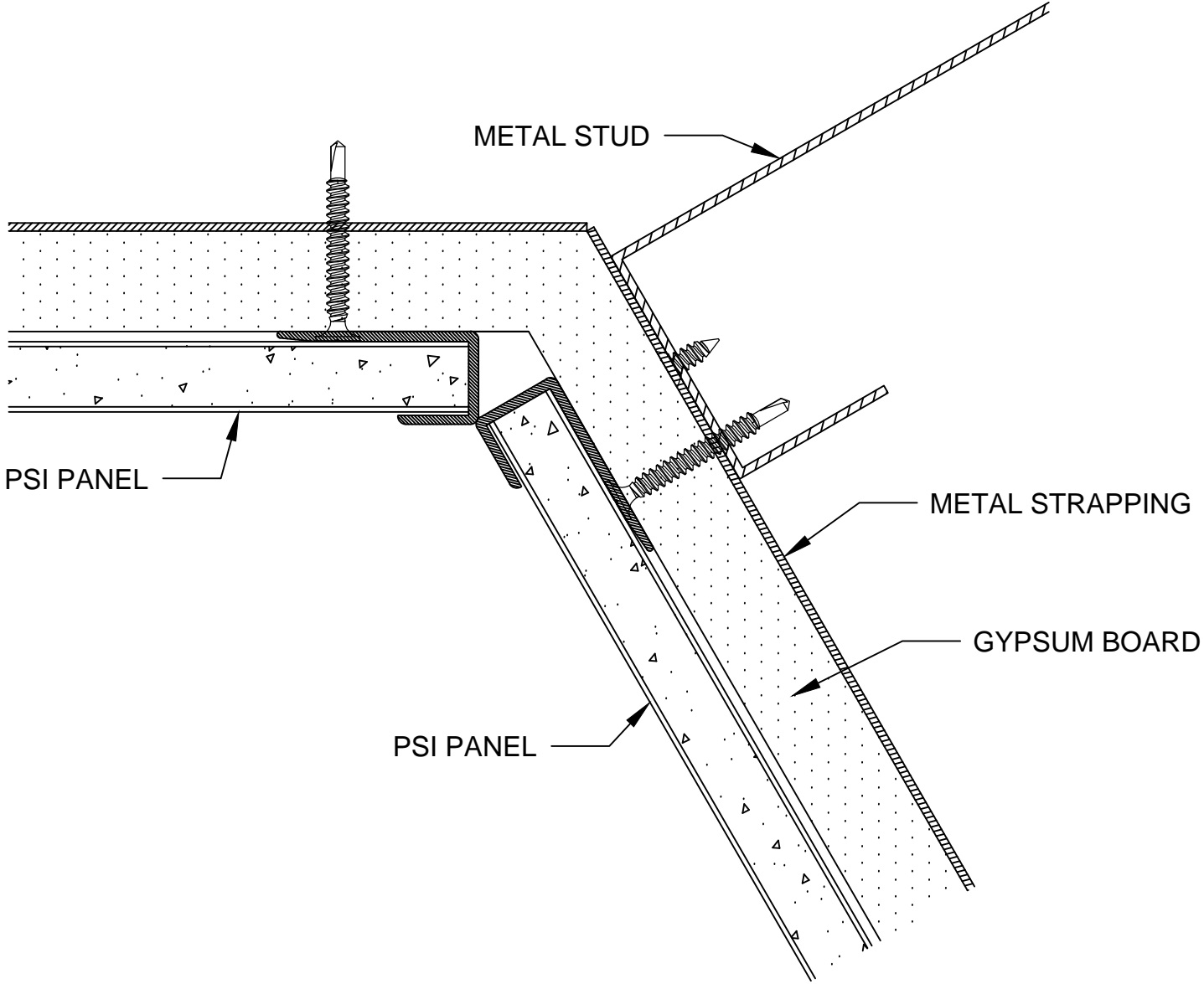
#304 INSIDE CORNER

TOP VIEW



#304 INSIDE CORNER

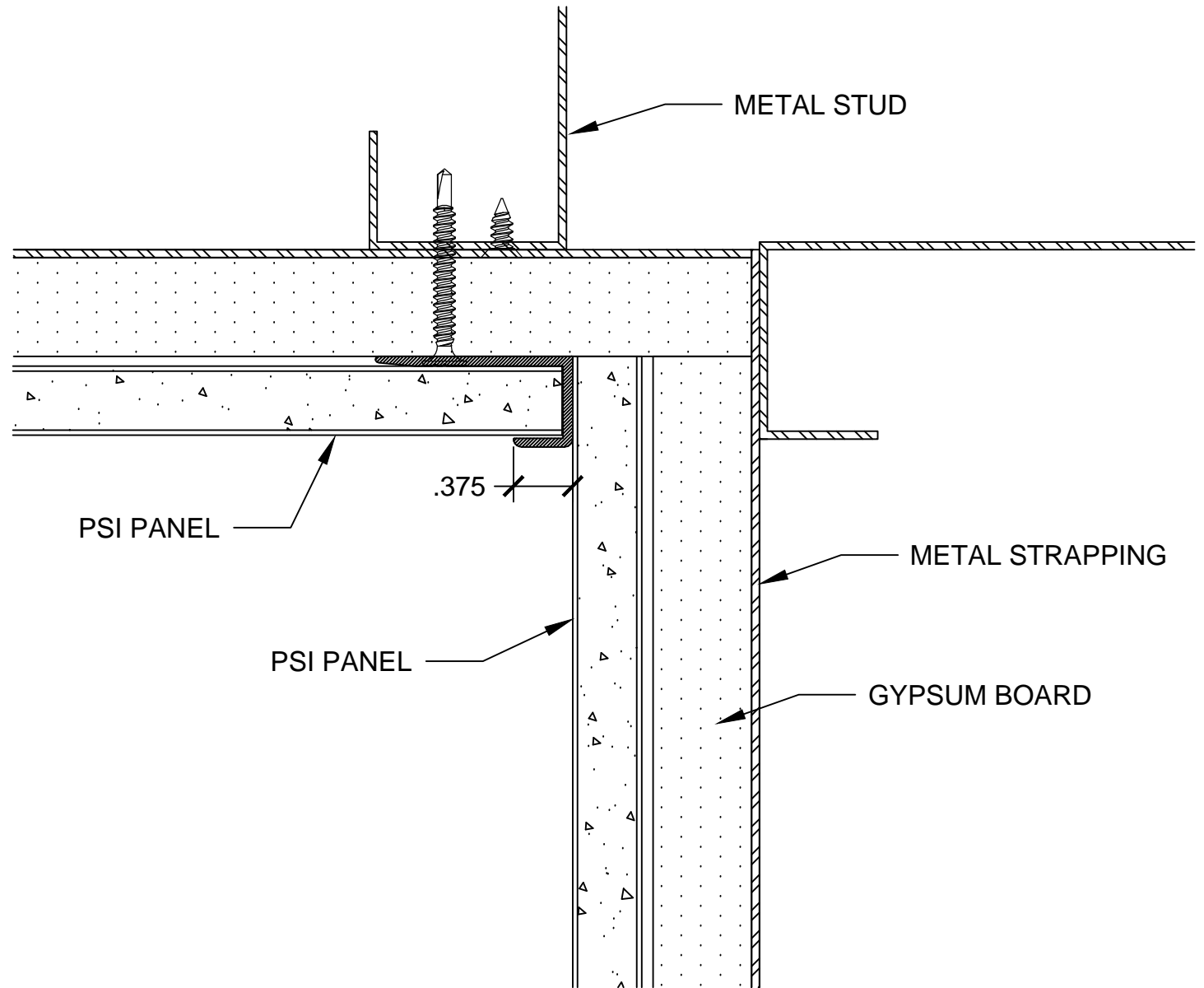
TOP VIEW



#304 ANGLED INSIDE CORNER

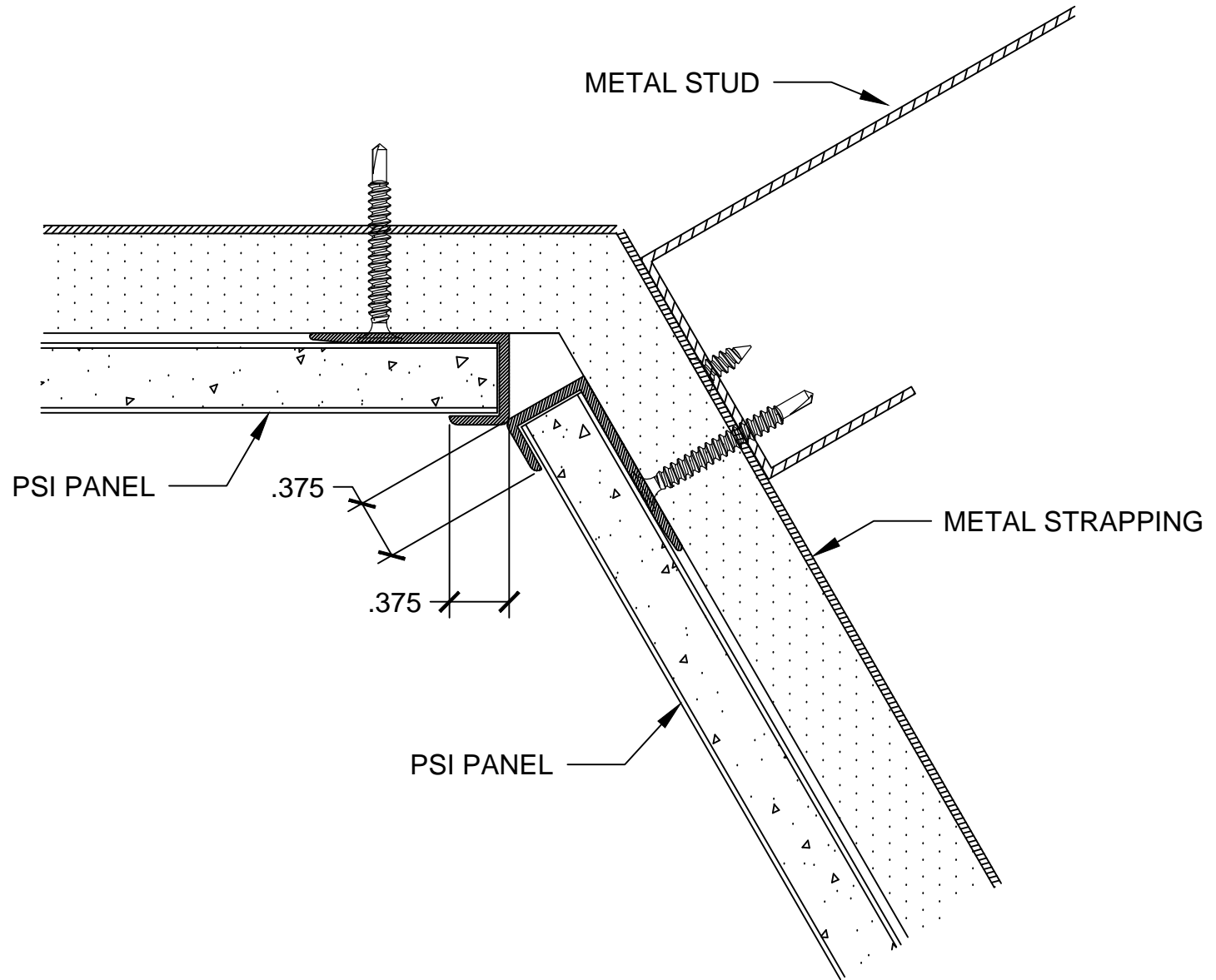
TOP VIEW





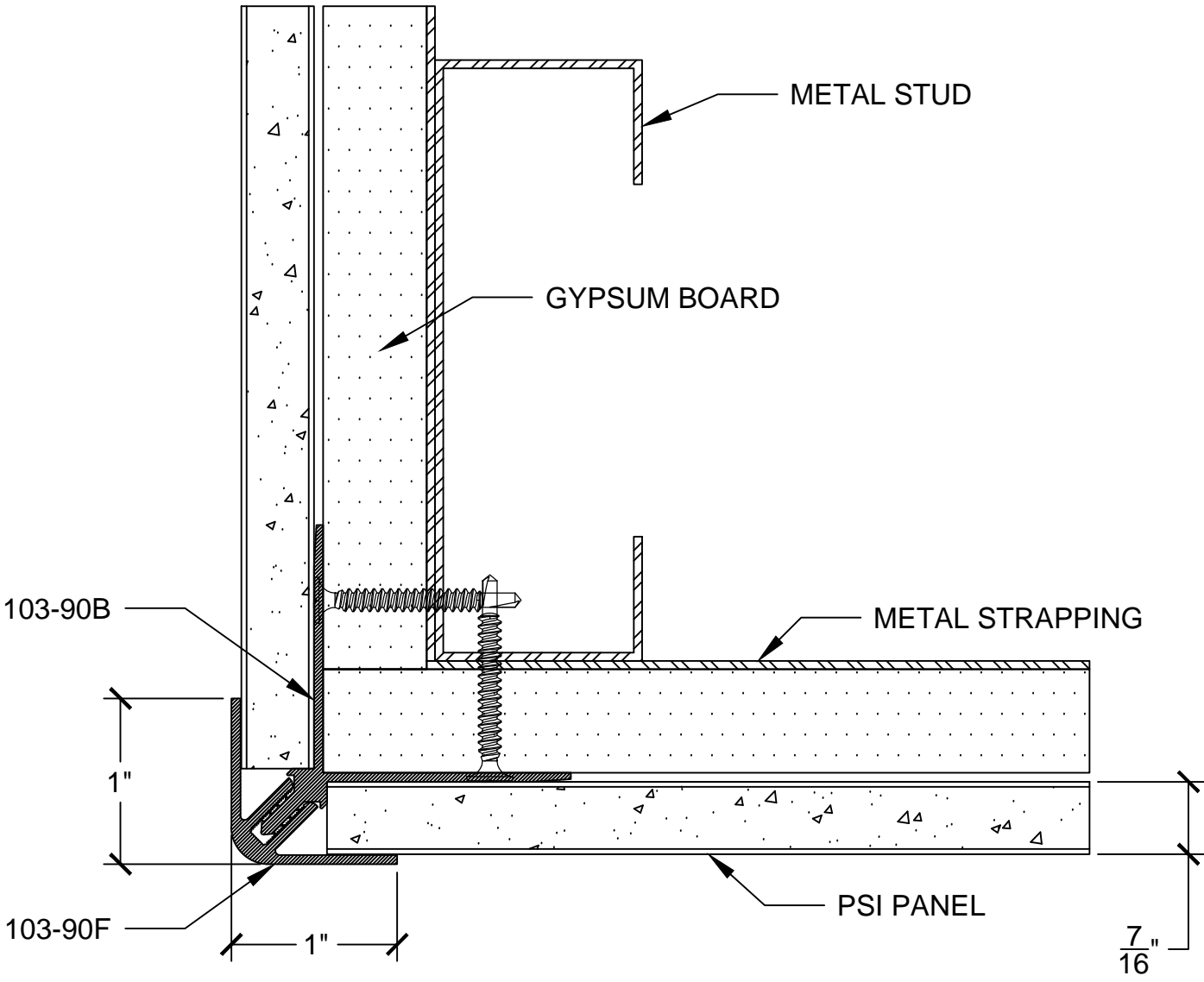
#604 INSIDE CORNER

TOP VIEW



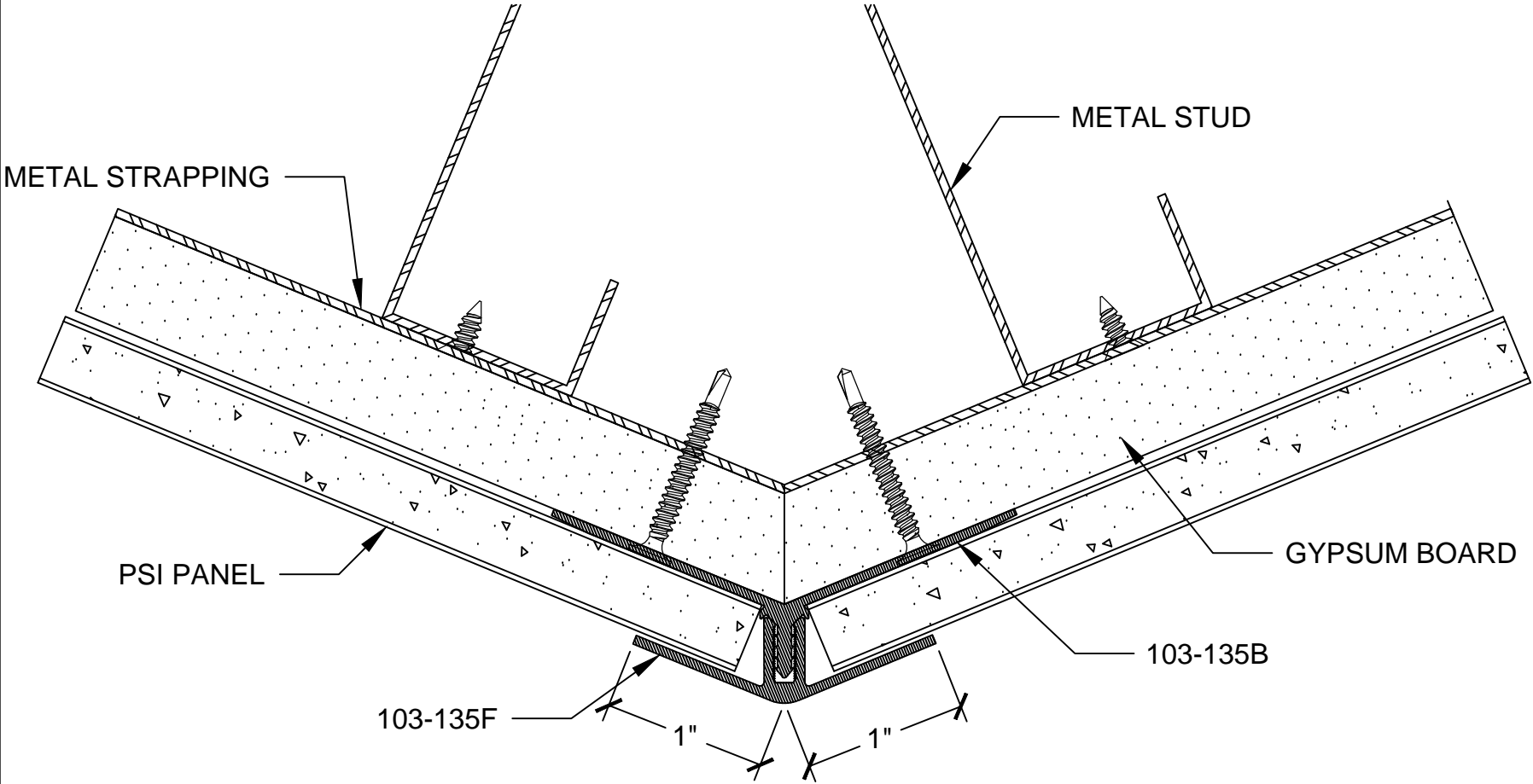
#604 ANGLED INSIDE CORNER

TOP VIEW



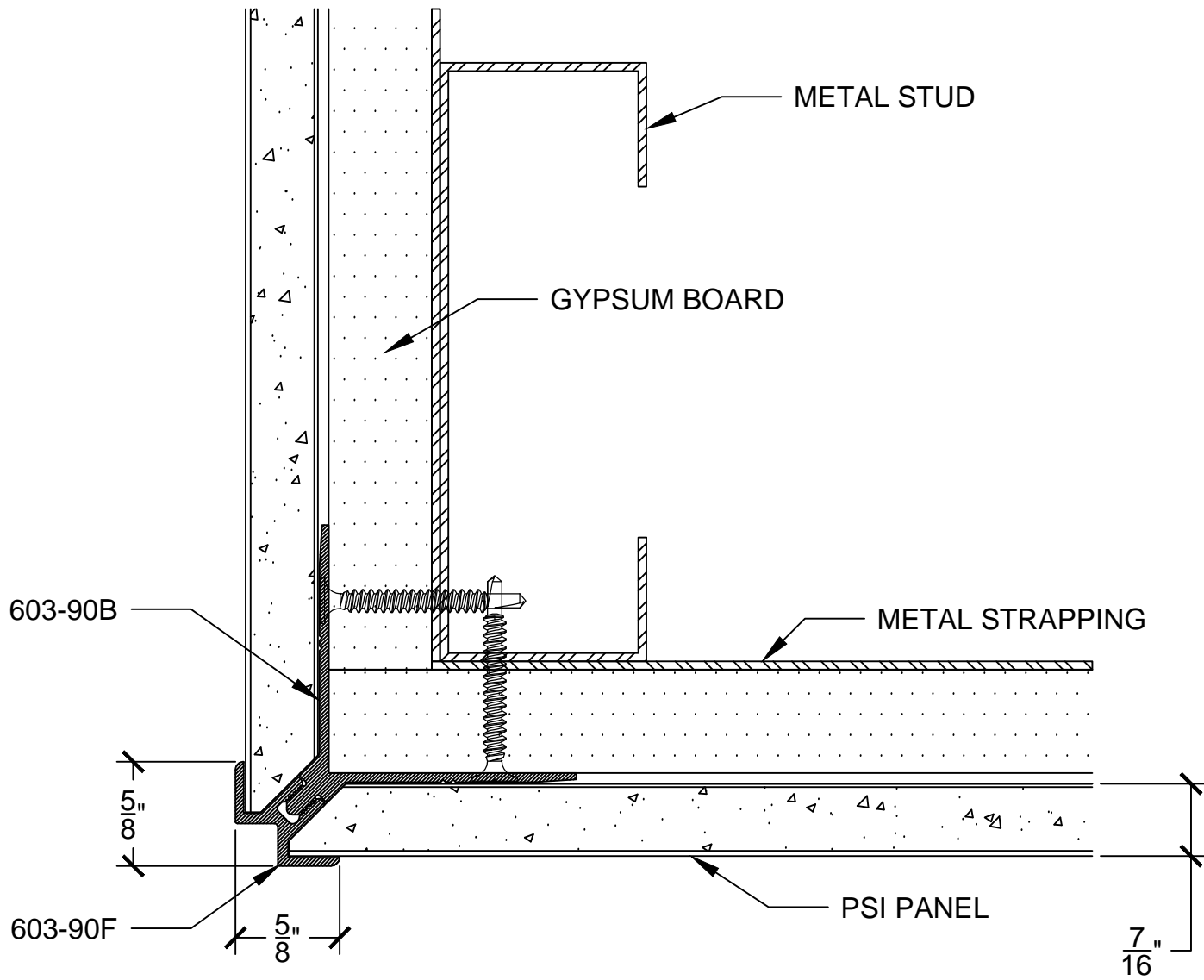
#103-90 OUTSIDE CORNER

TOP VIEW



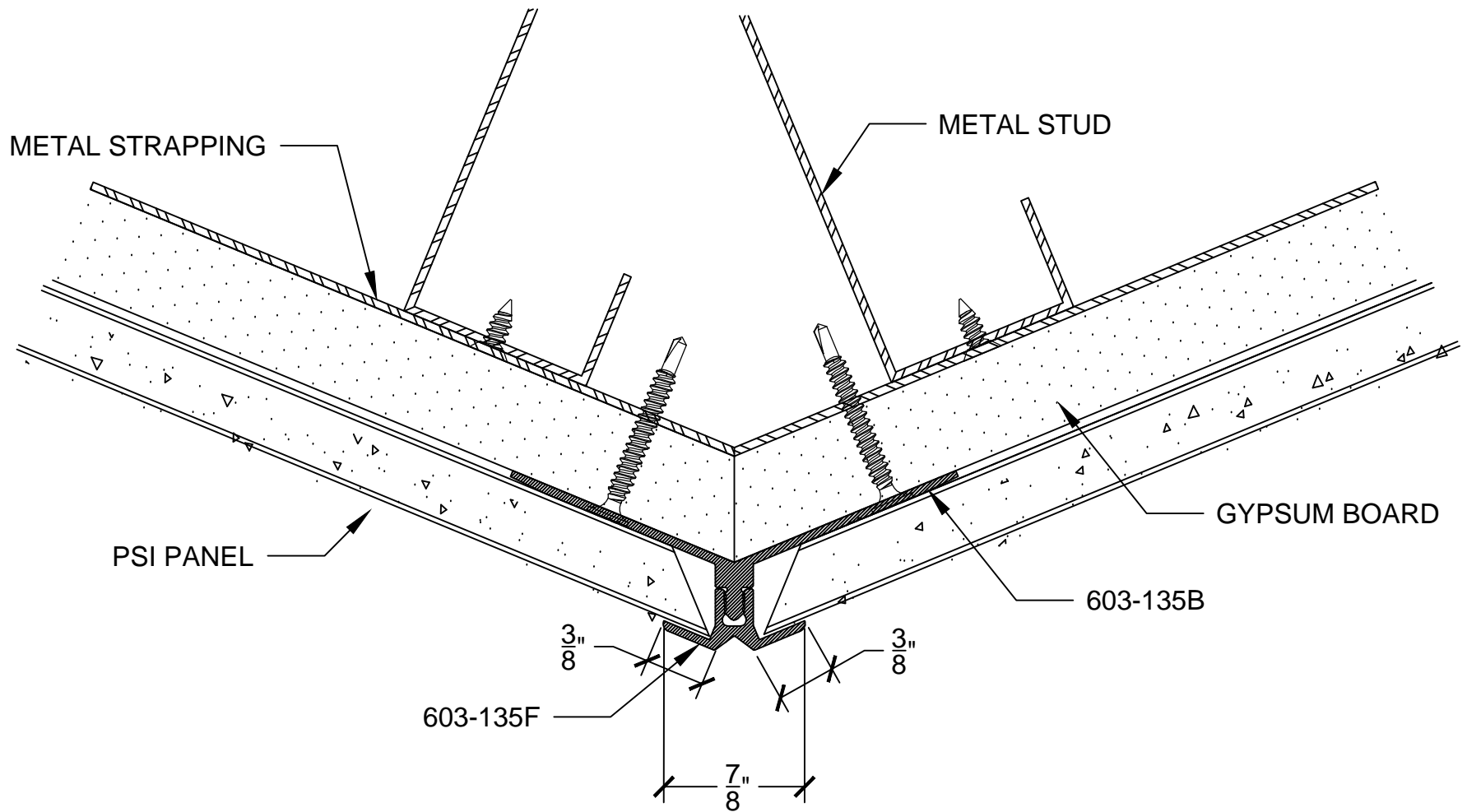
#103-135 OUTSIDE CORNER

TOP VIEW



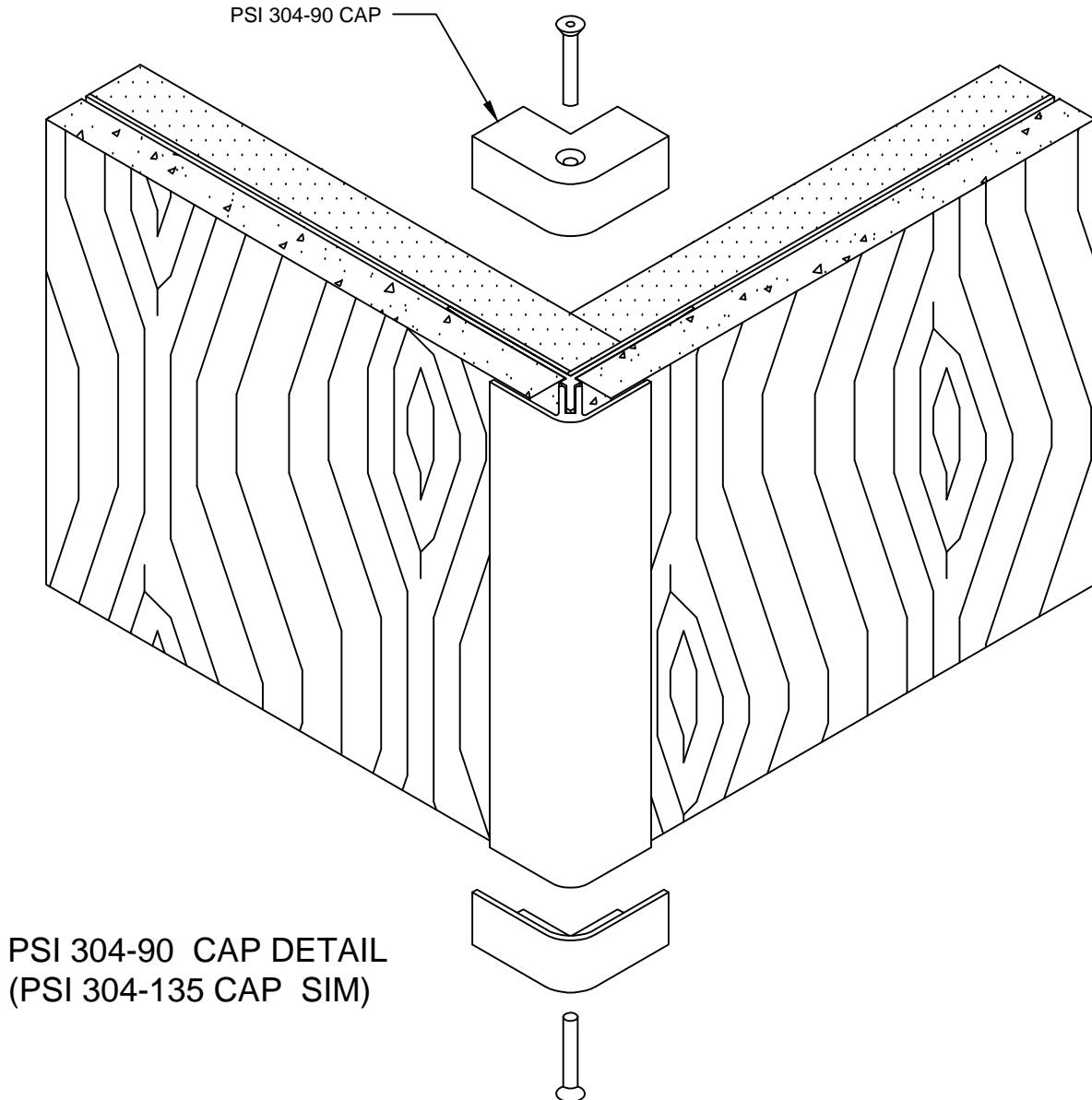
#603-90 OUTSIDE CORNER

TOP VIEW

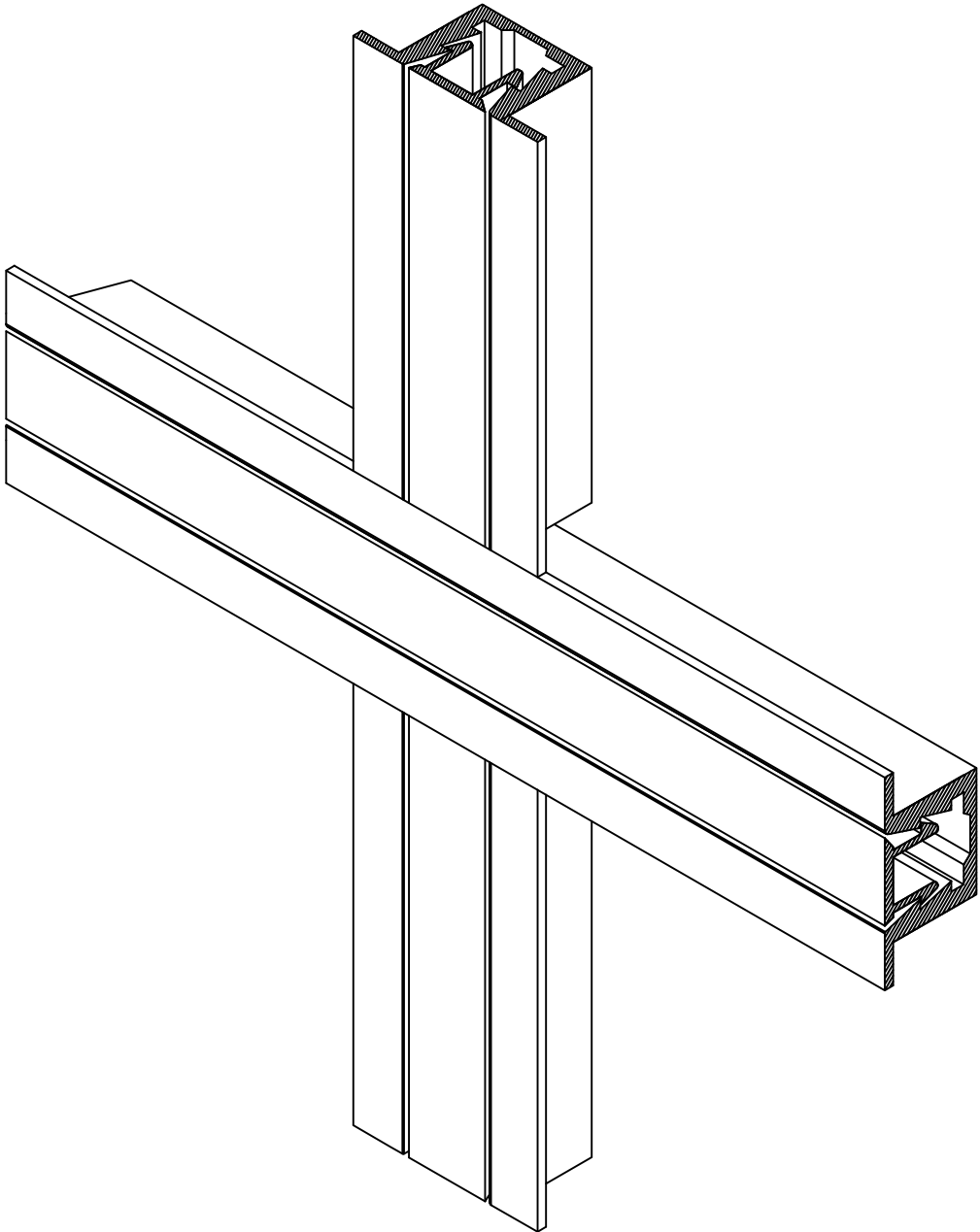


#603-135 OUTSIDE CORNER

TOP VIEW



PSI 304-90 CAP DETAIL  
(PSI 304-135 CAP SIM)

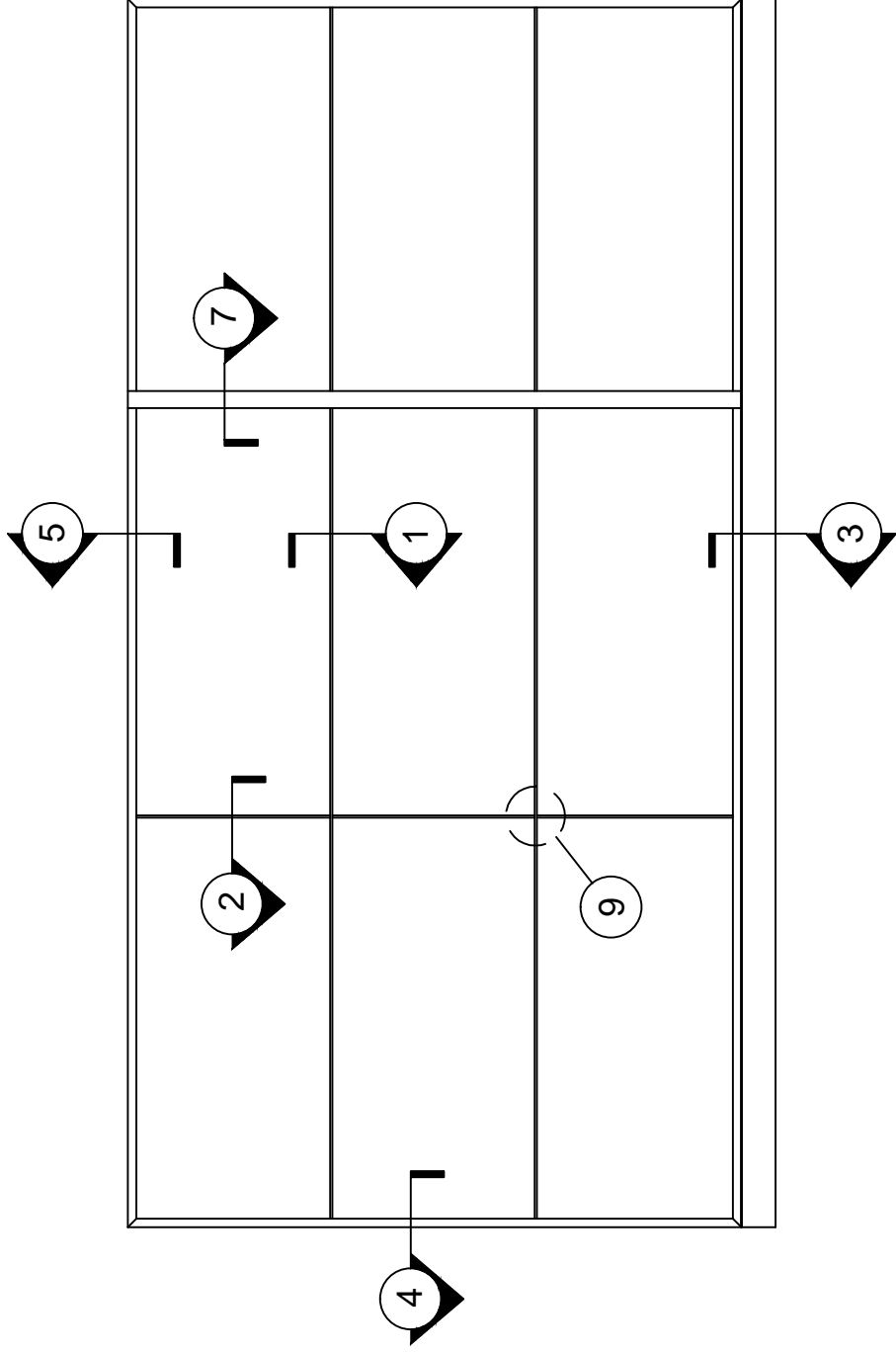


#412 REVEAL INTERSECTION DETAIL

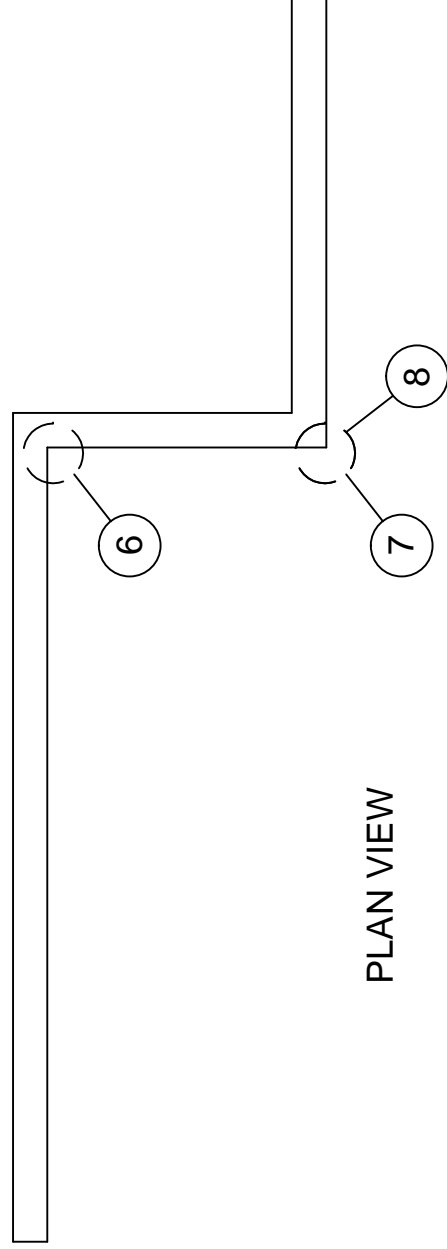
ISOMETRIC VIEW



PANEL SPECIALISTS INC.  
WALL PANEL SYSTEM 412



ELEVATION VIEW



PLAN VIEW