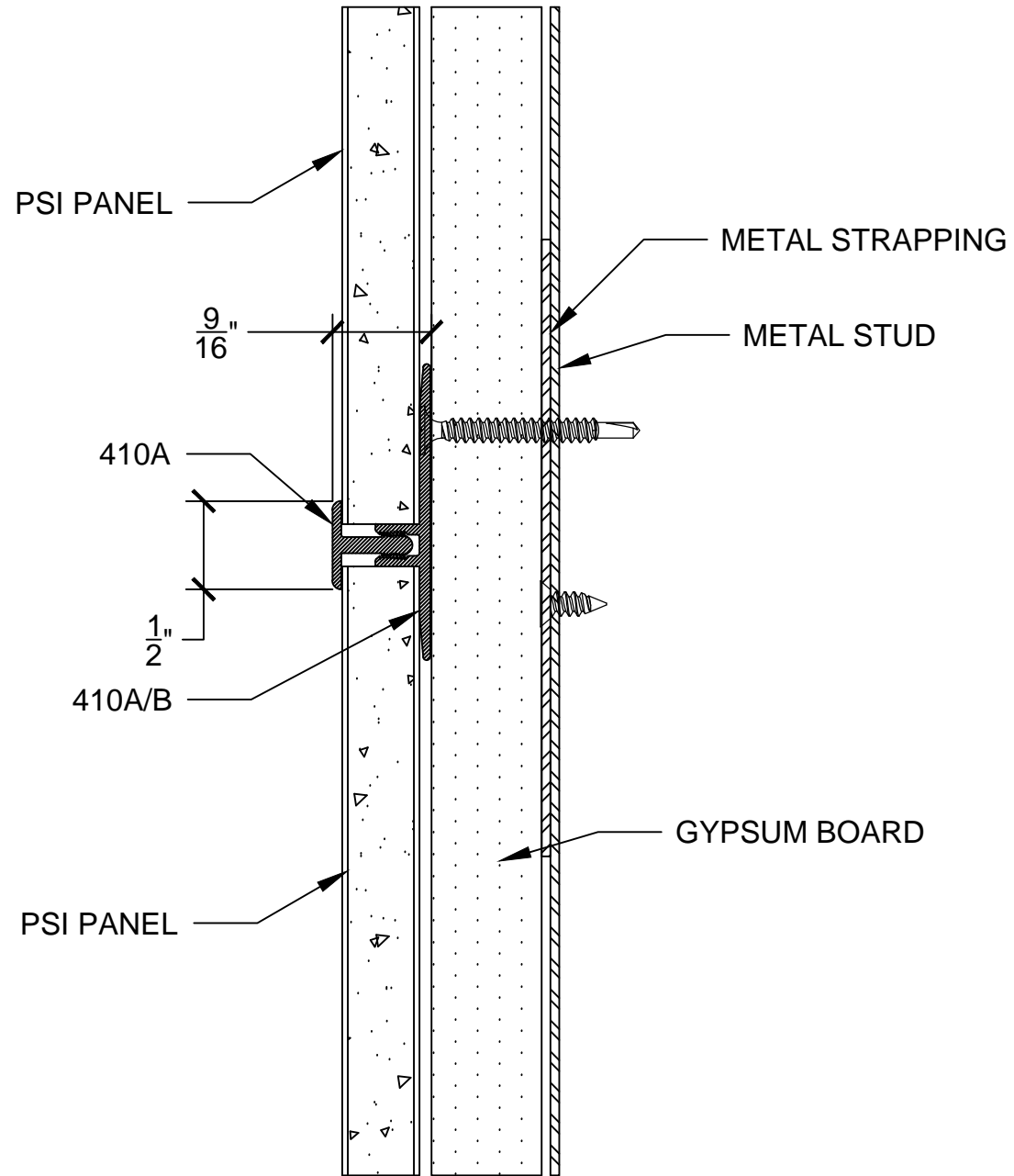


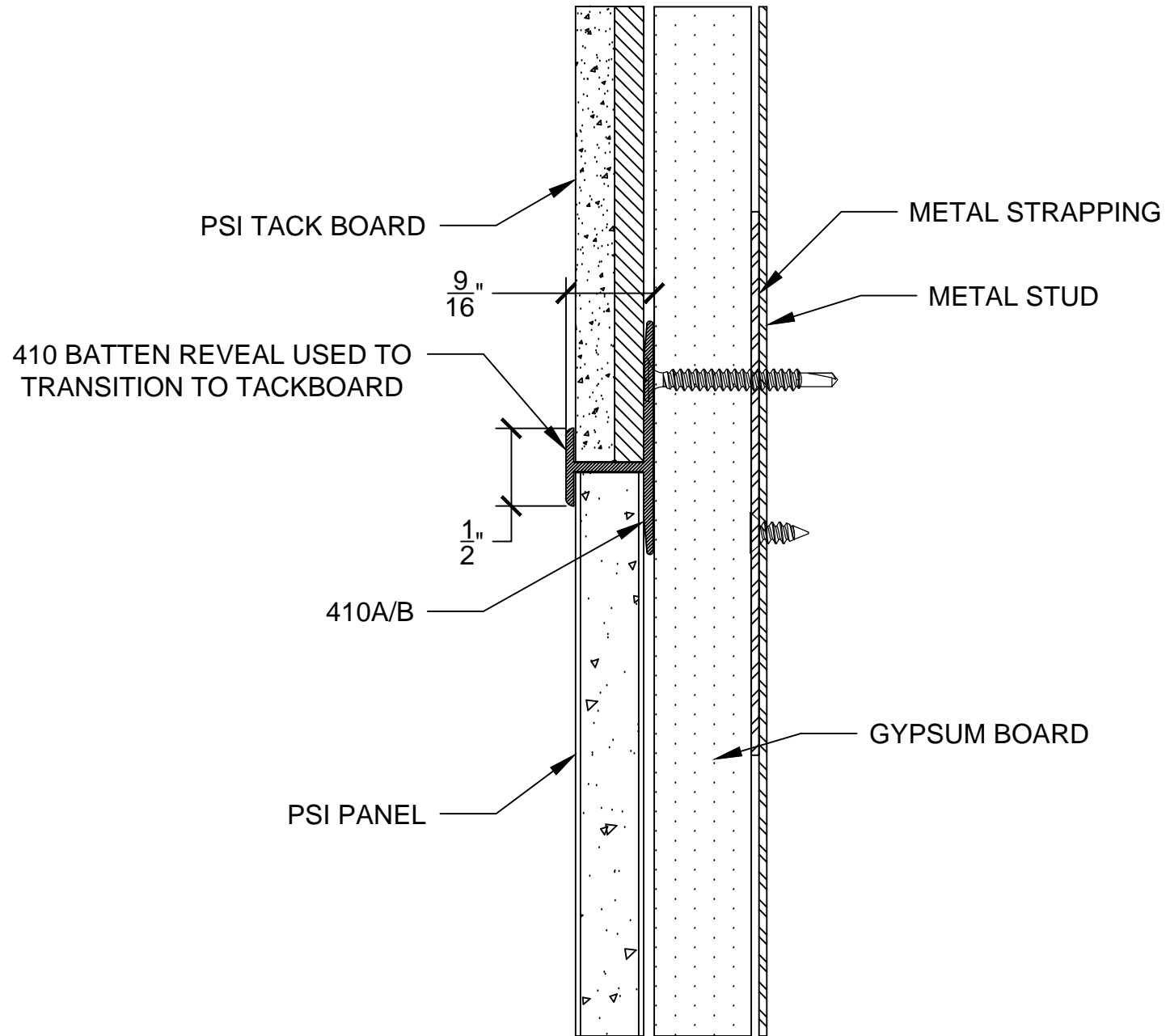
#410 HORIZONTAL BATTEN / DIVIDER

RIGHT SIDE VIEW



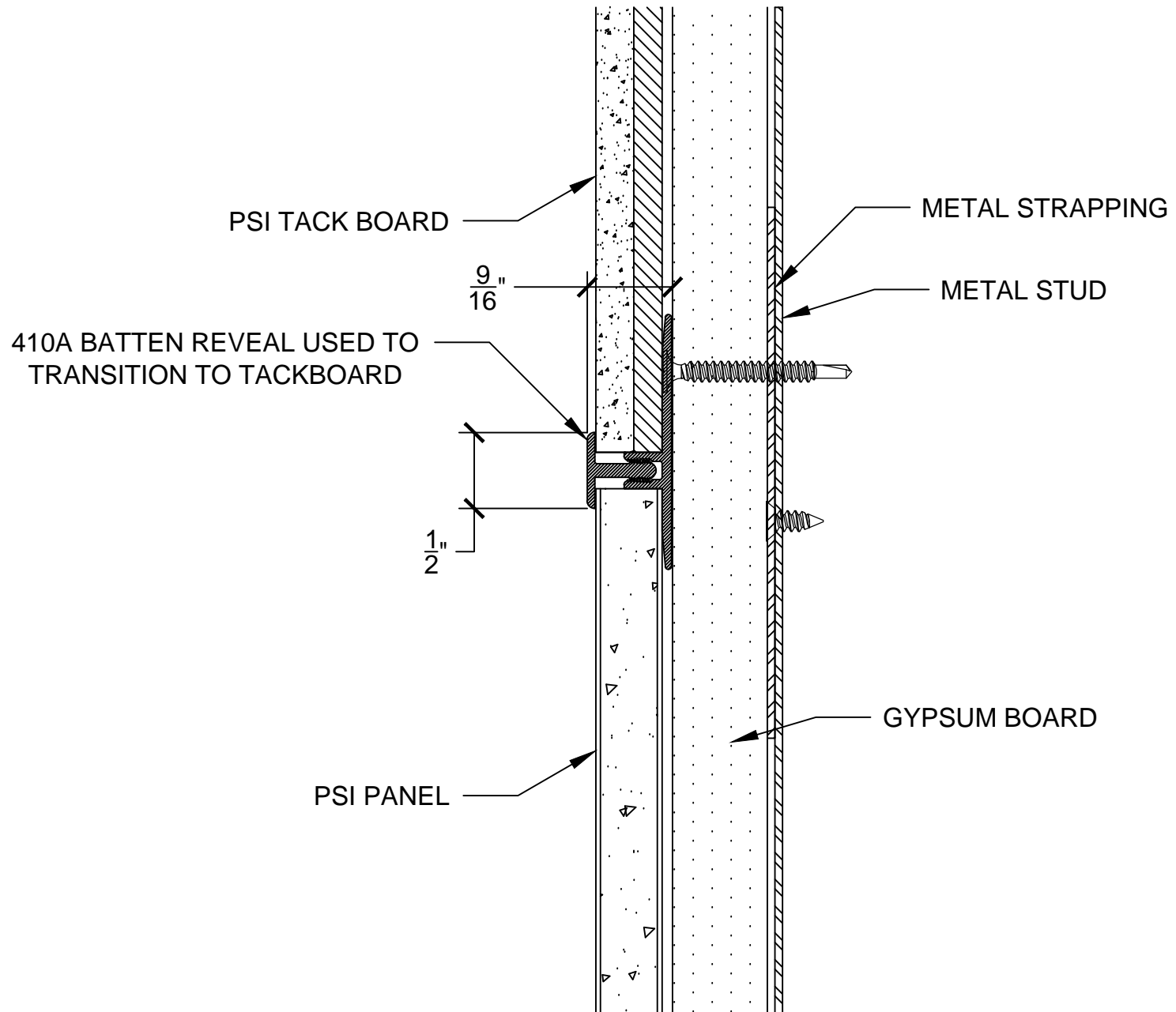
#410A HORIZONTAL BATTEN / DIVIDER

RIGHT SIDE VIEW



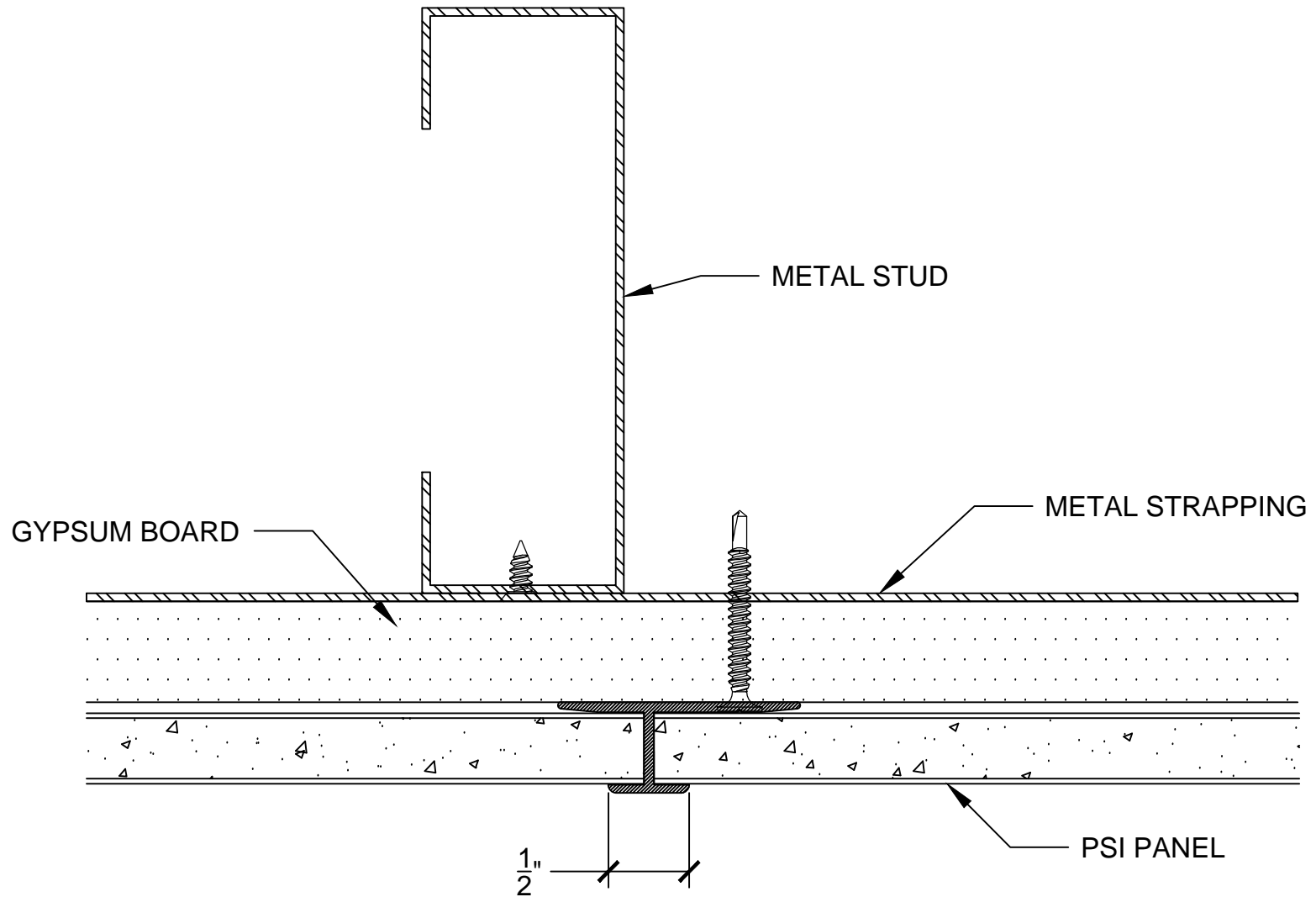
#410 HORIZONTAL BATTEN / DIVIDER

RIGHT SIDE VIEW



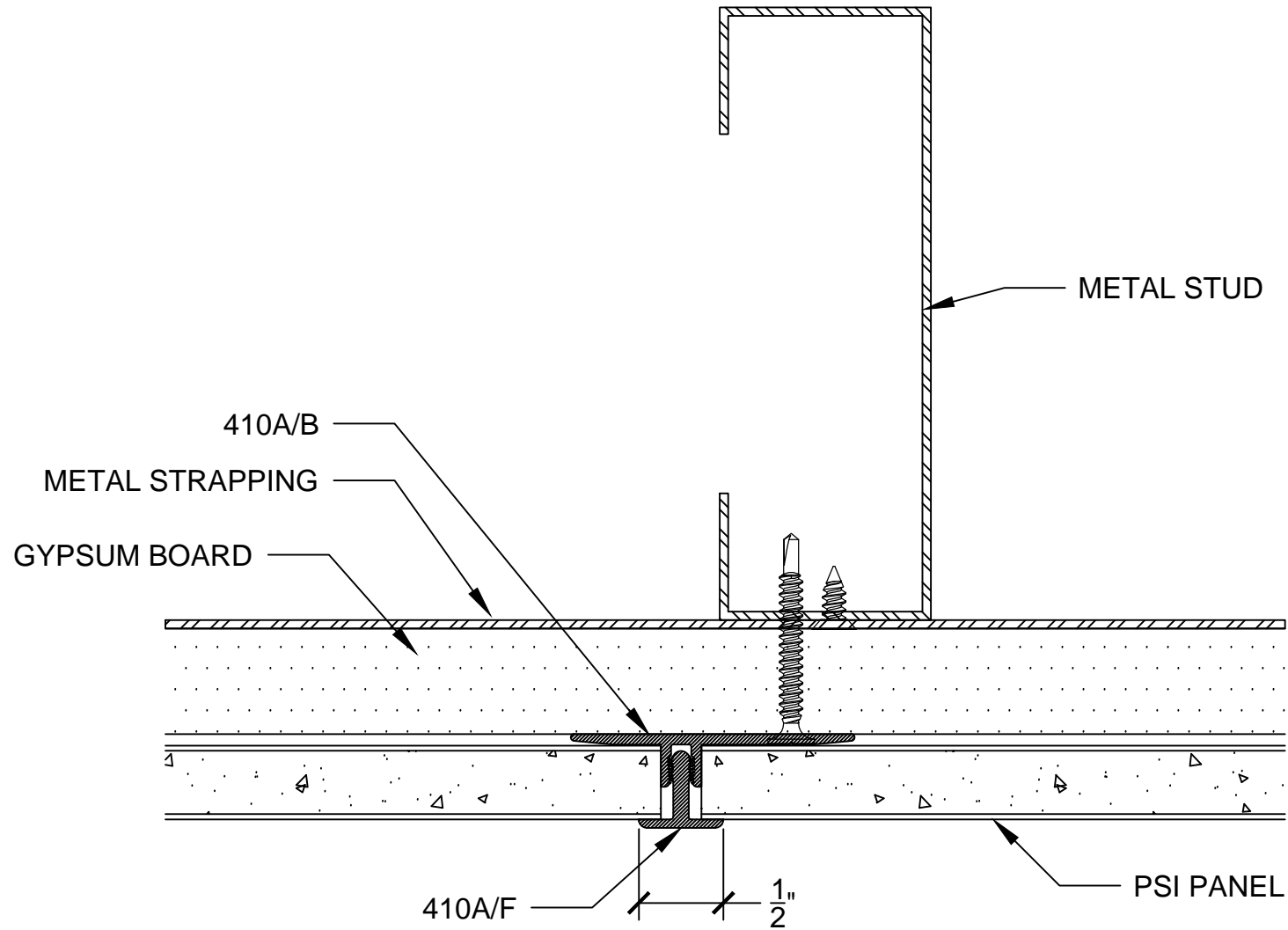
#410A HORIZONTAL BATTEN / DIVIDER

RIGHT SIDE VIEW



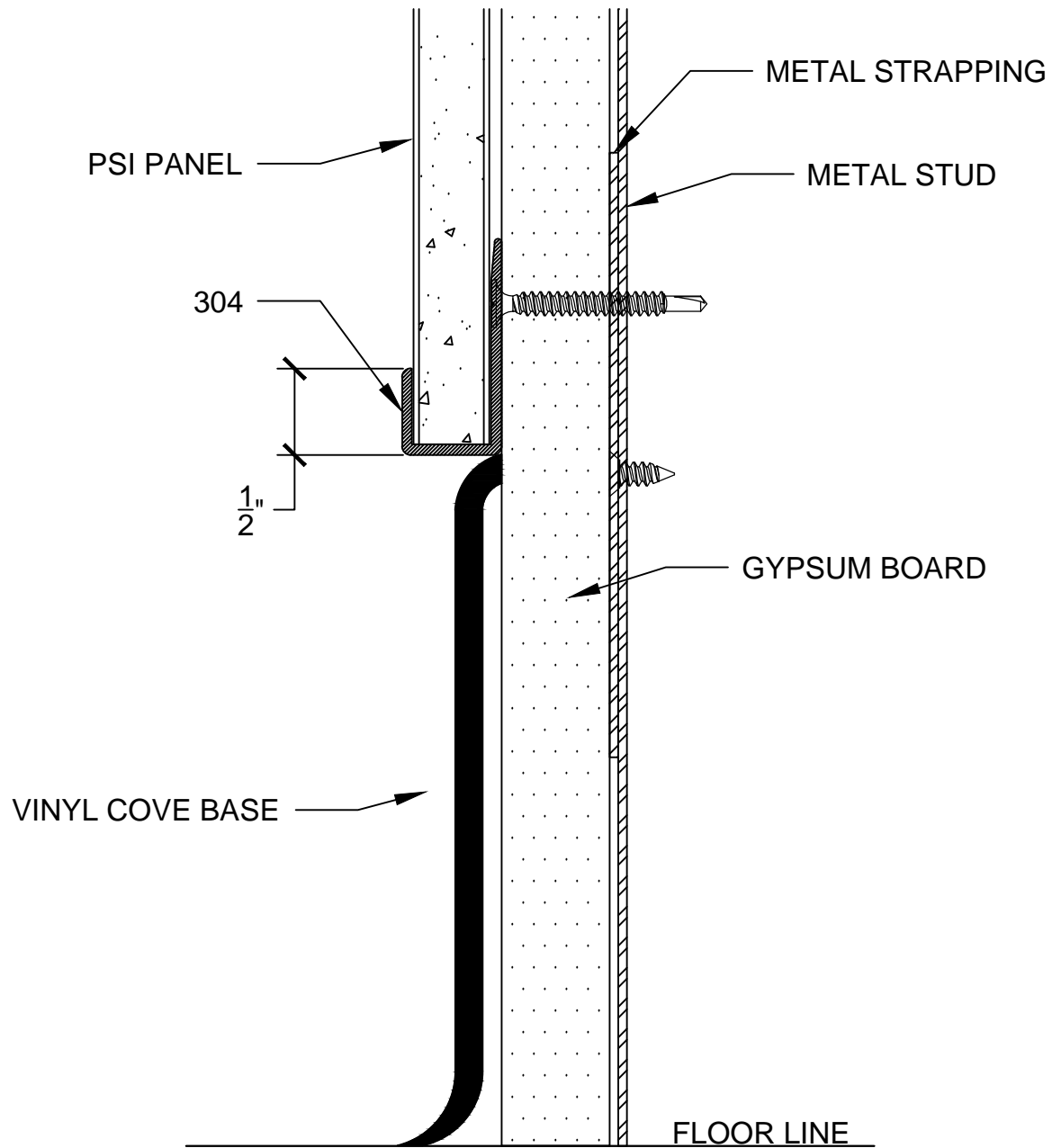
#410 VERTICAL REVEAL / DIVIDER

TOP VIEW



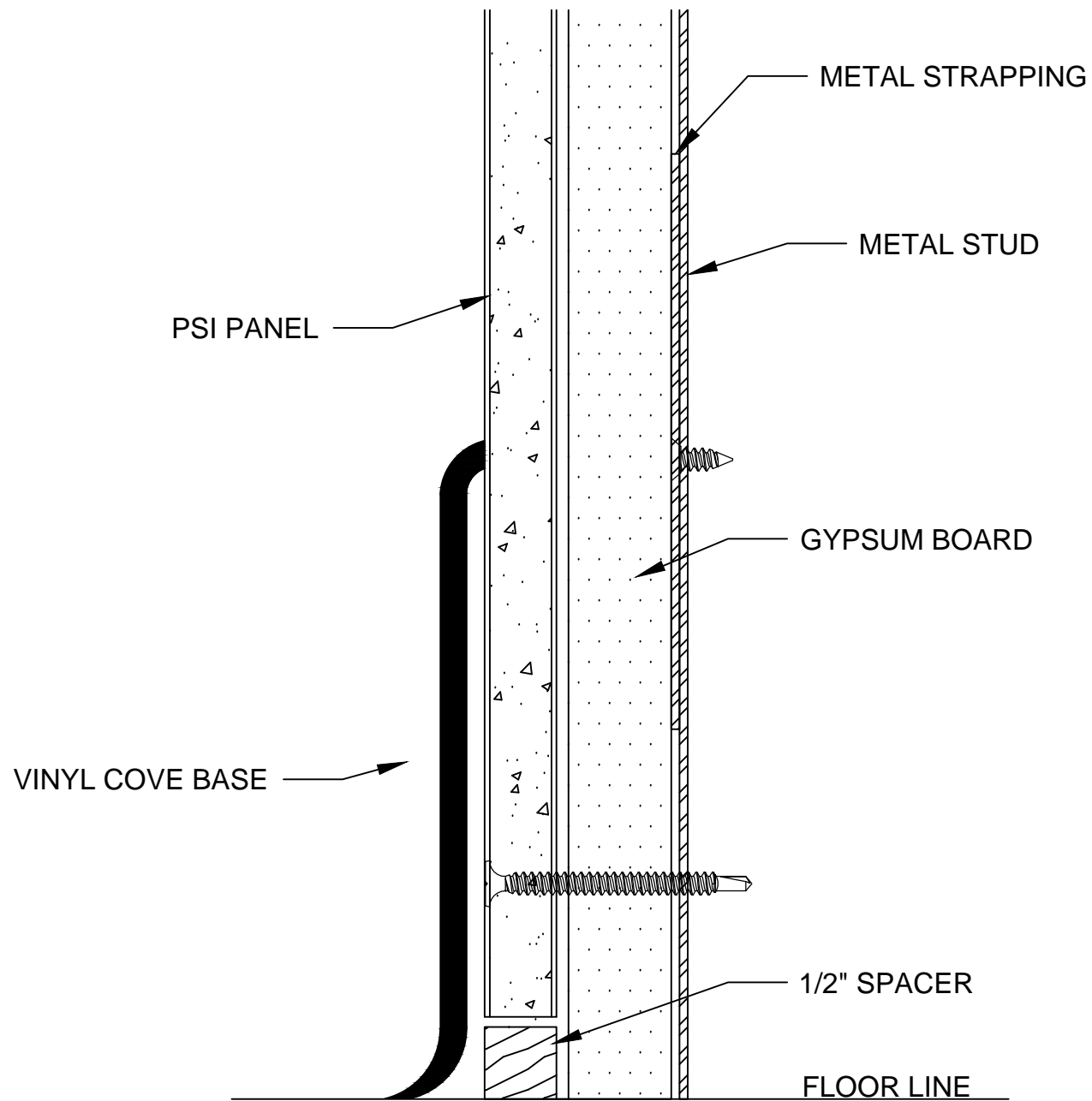
#410A VERTICAL REVEAL / DIVIDER

TOP VIEW



#304 HORIZONTAL TRIM - ABOVE BASE

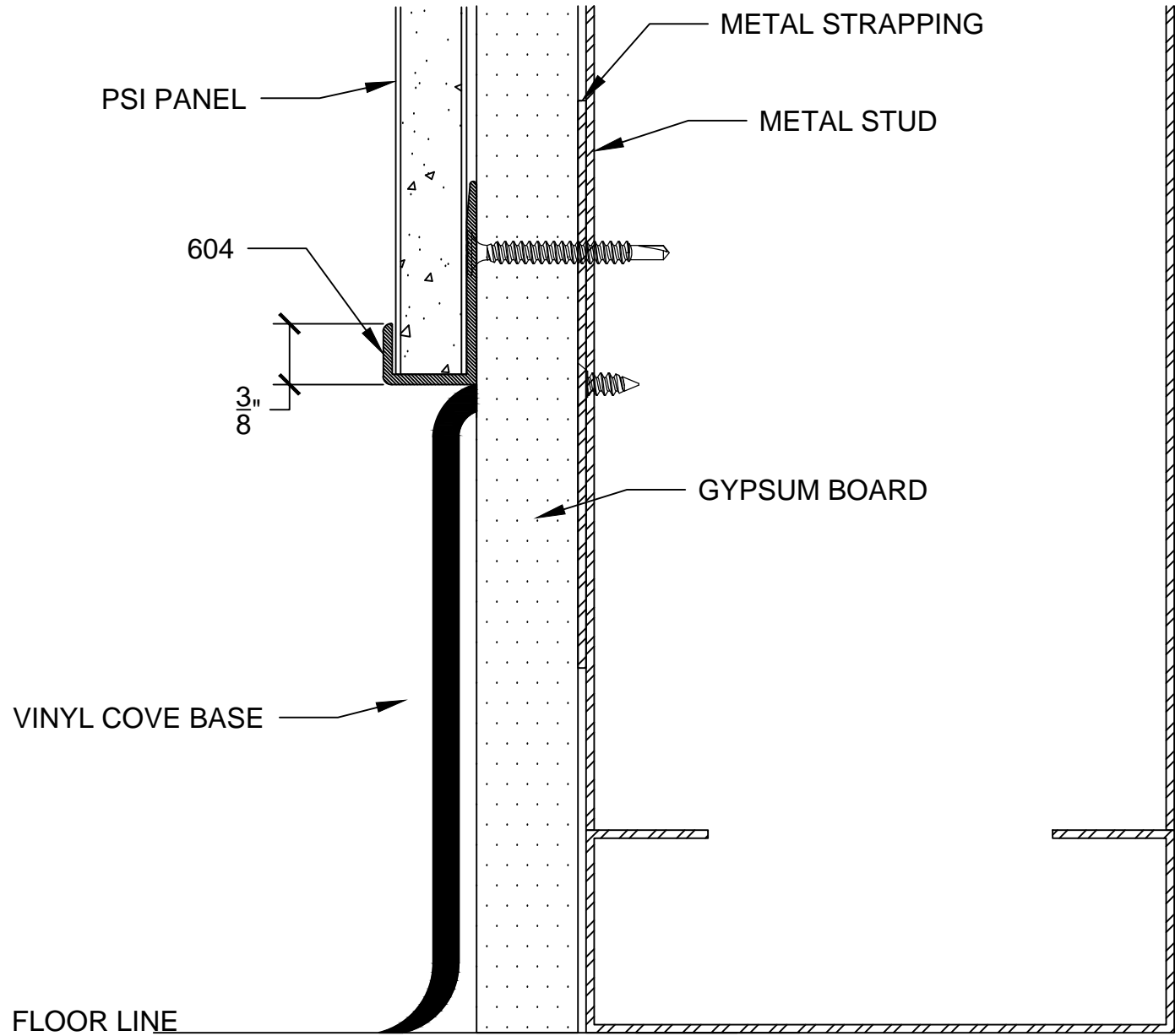
RIGHT SIDE VIEW



ALTERNATE - BEHIND BASE

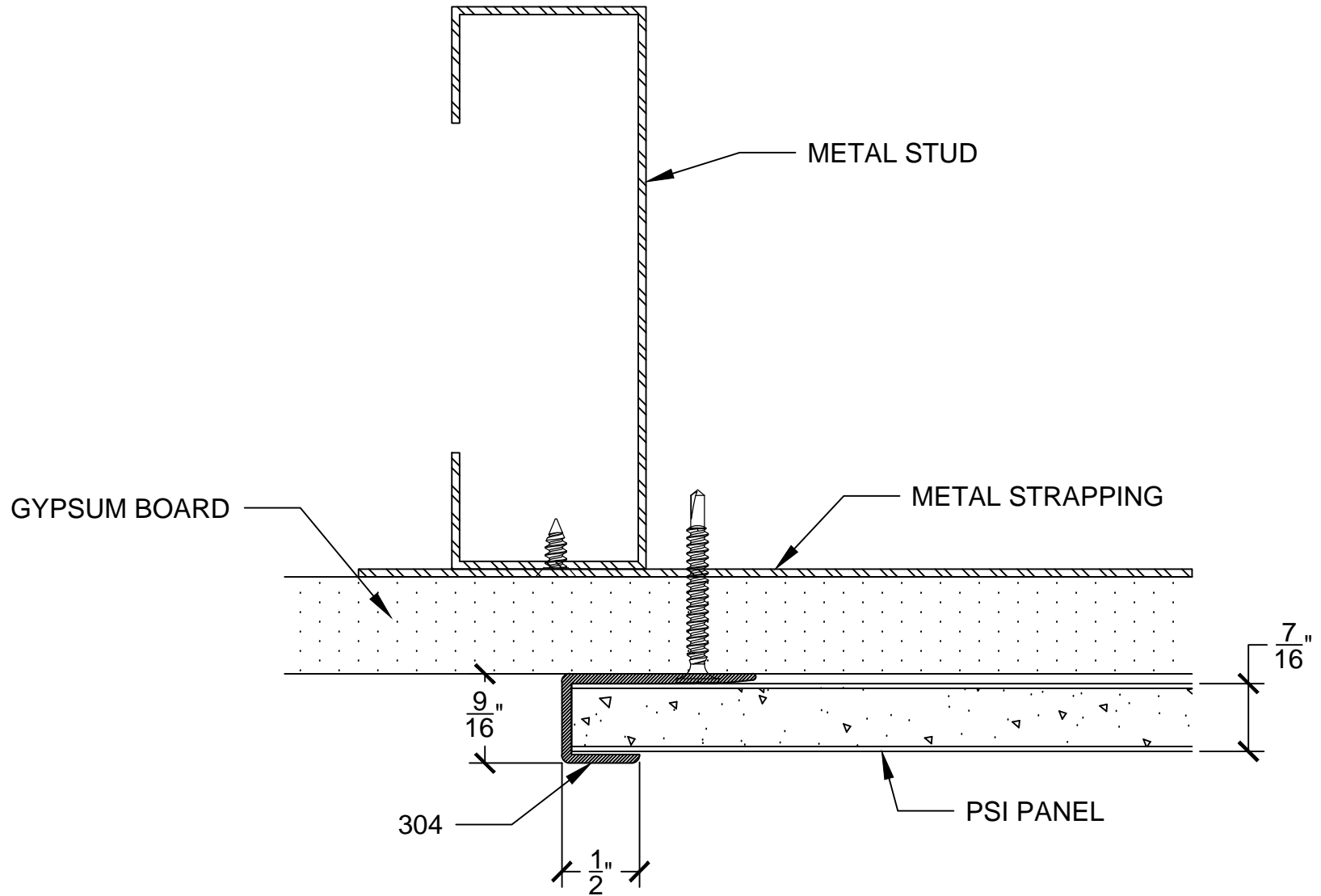
RIGHT SIDE VIEW





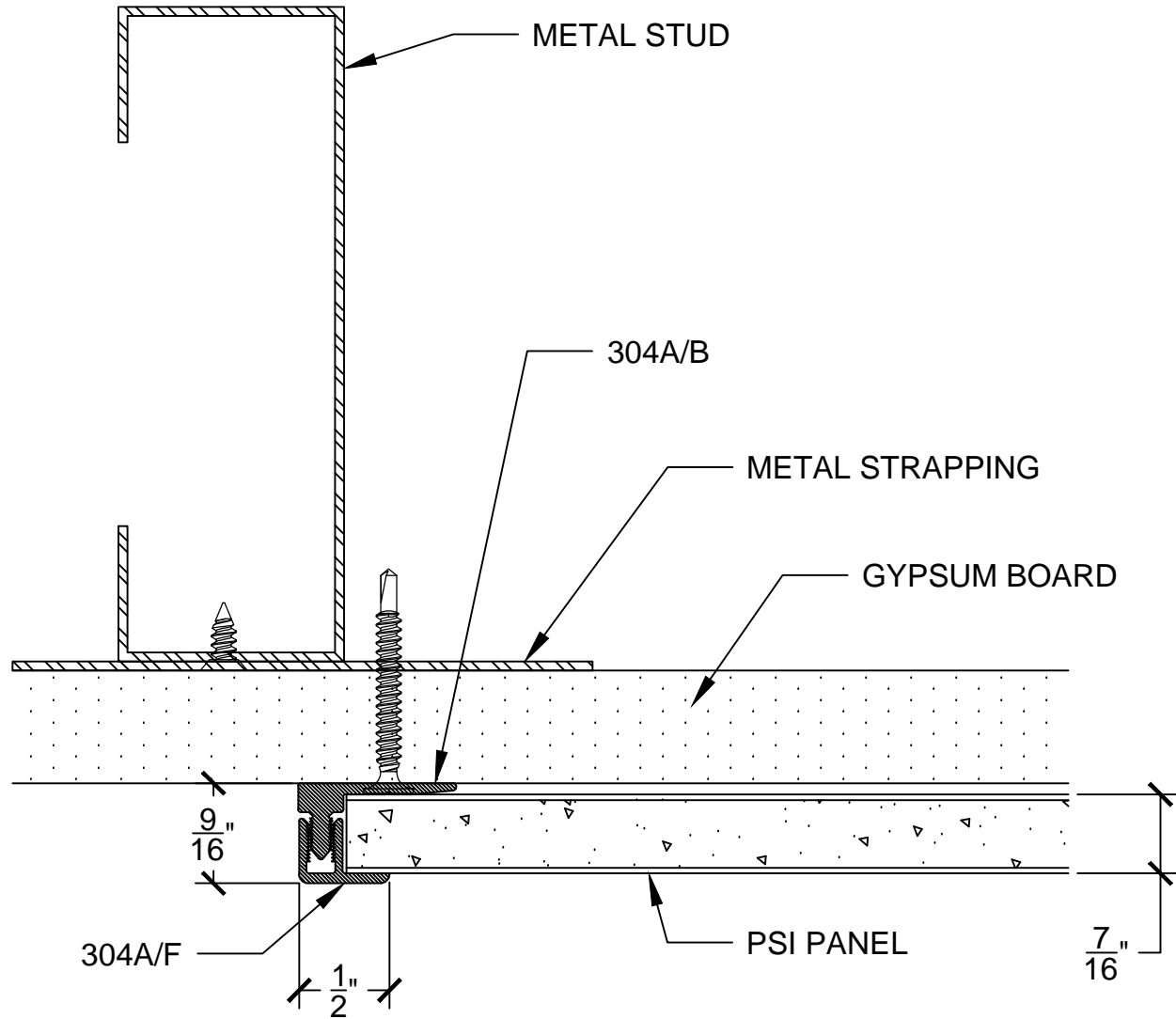
#604 HORIZONTAL TRIM - ABOVE BASE

RIGHT SIDE VIEW



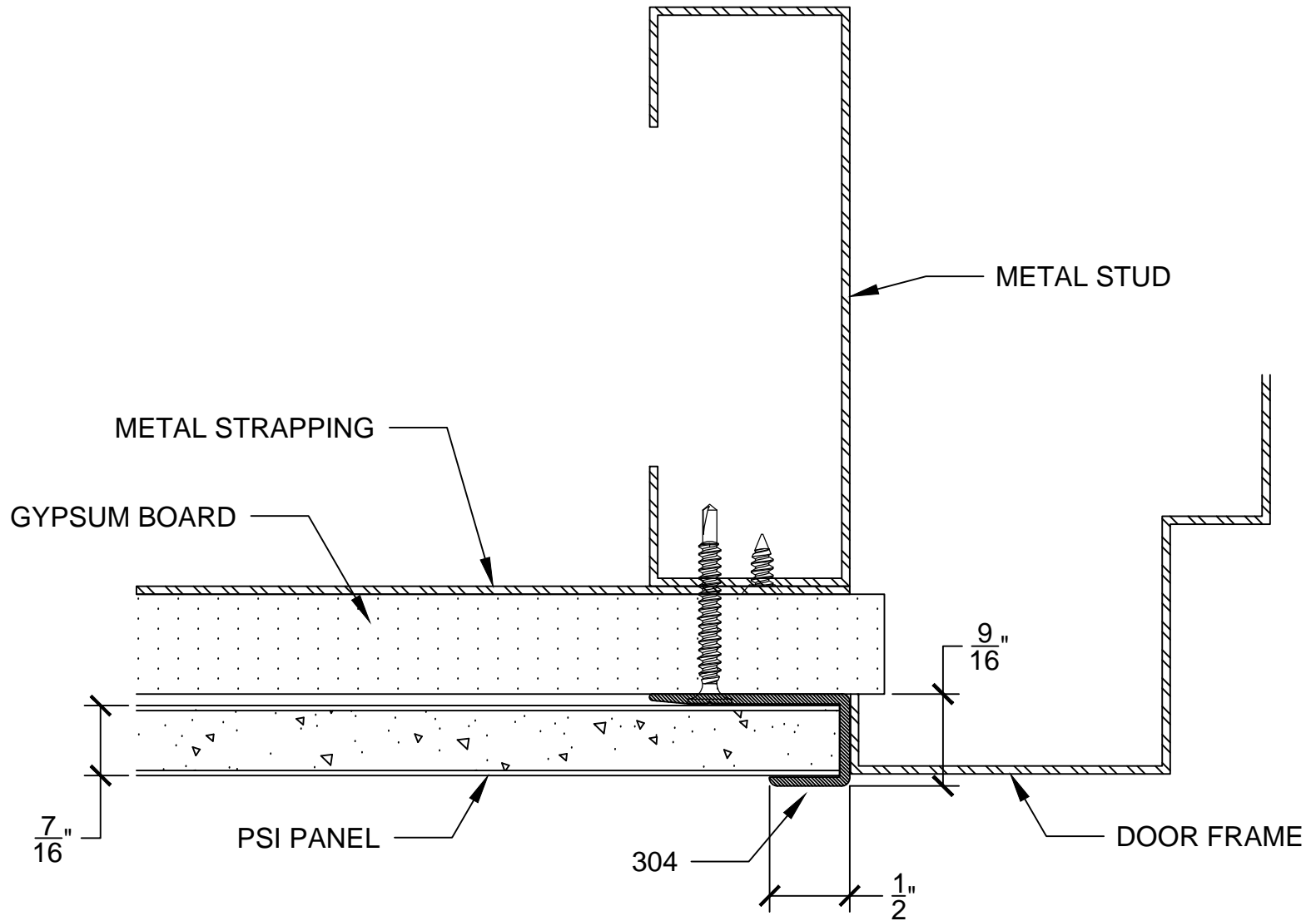
#304 VERTICAL EDGE TRIM

TOP VIEW



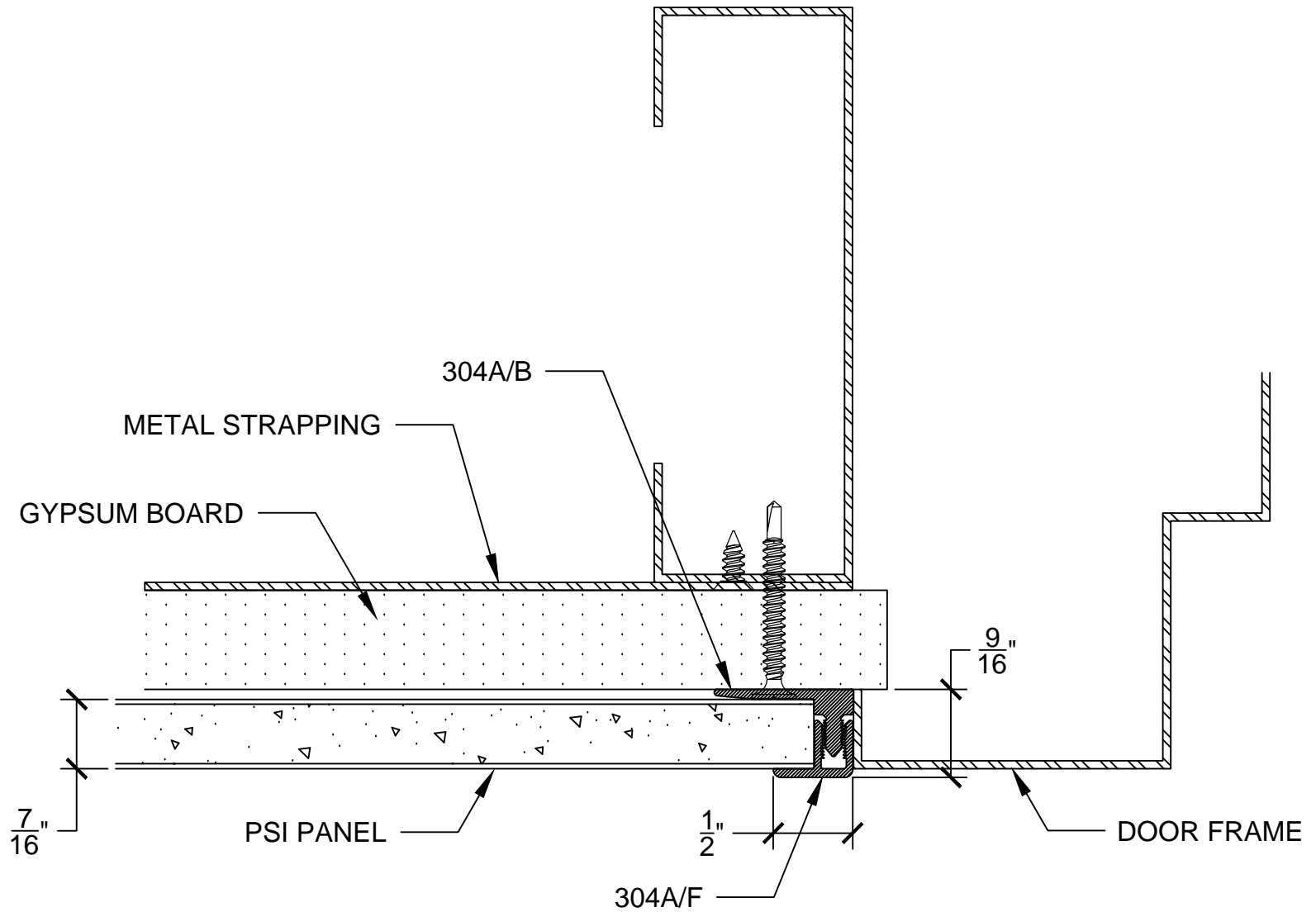
#304A VERTICAL EDGE TRIM

TOP VIEW



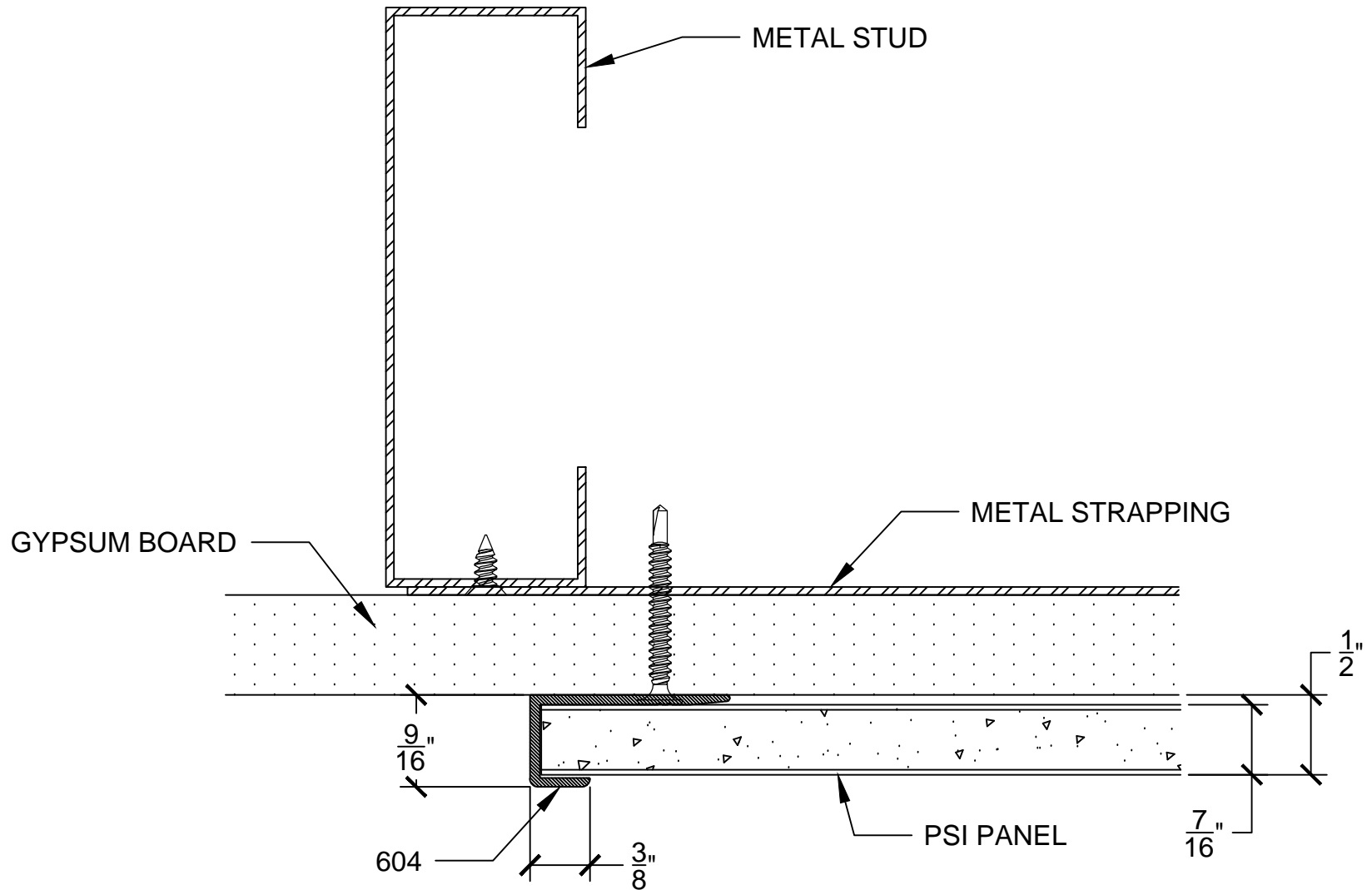
#304 EDGE TRIM @ DOOR OR WINDOW FRAME

TOP VIEW



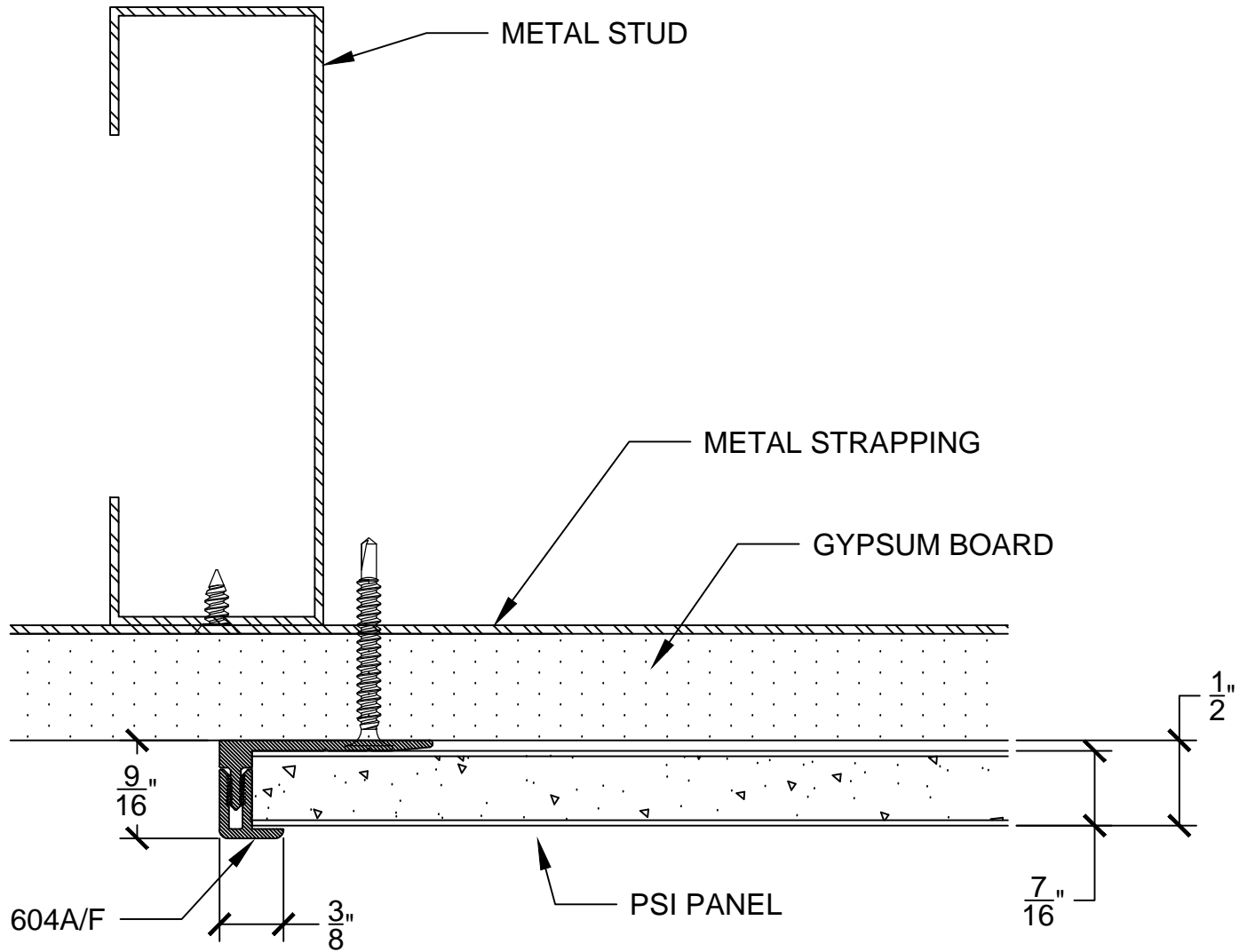
#304A EDGE TRIM @ DOOR OR WINDOW FRAME

TOP VIEW



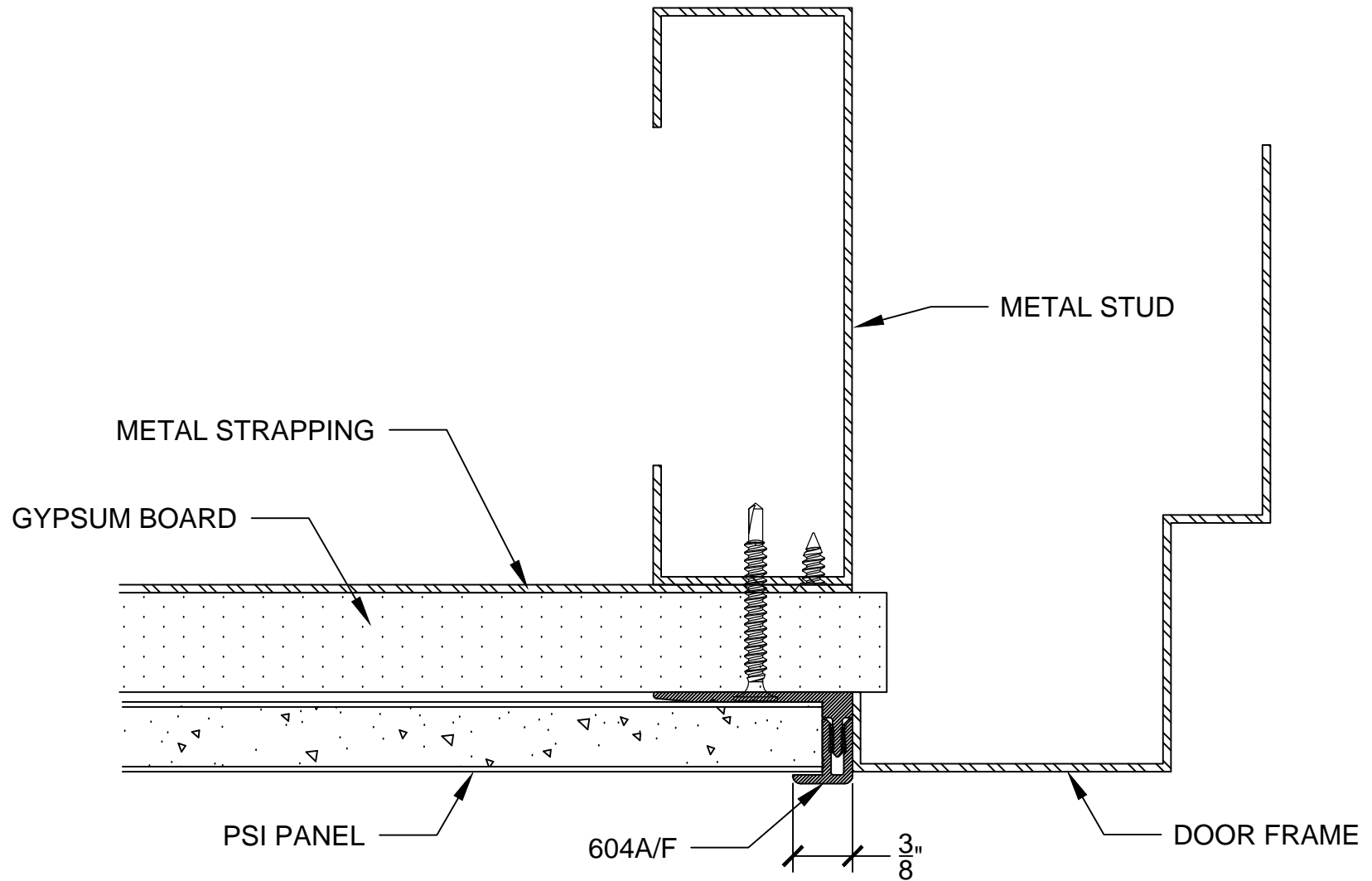
#604 VERTICAL EDGE TRIM

TOP VIEW



#604A VERTICAL EDGE TRIM

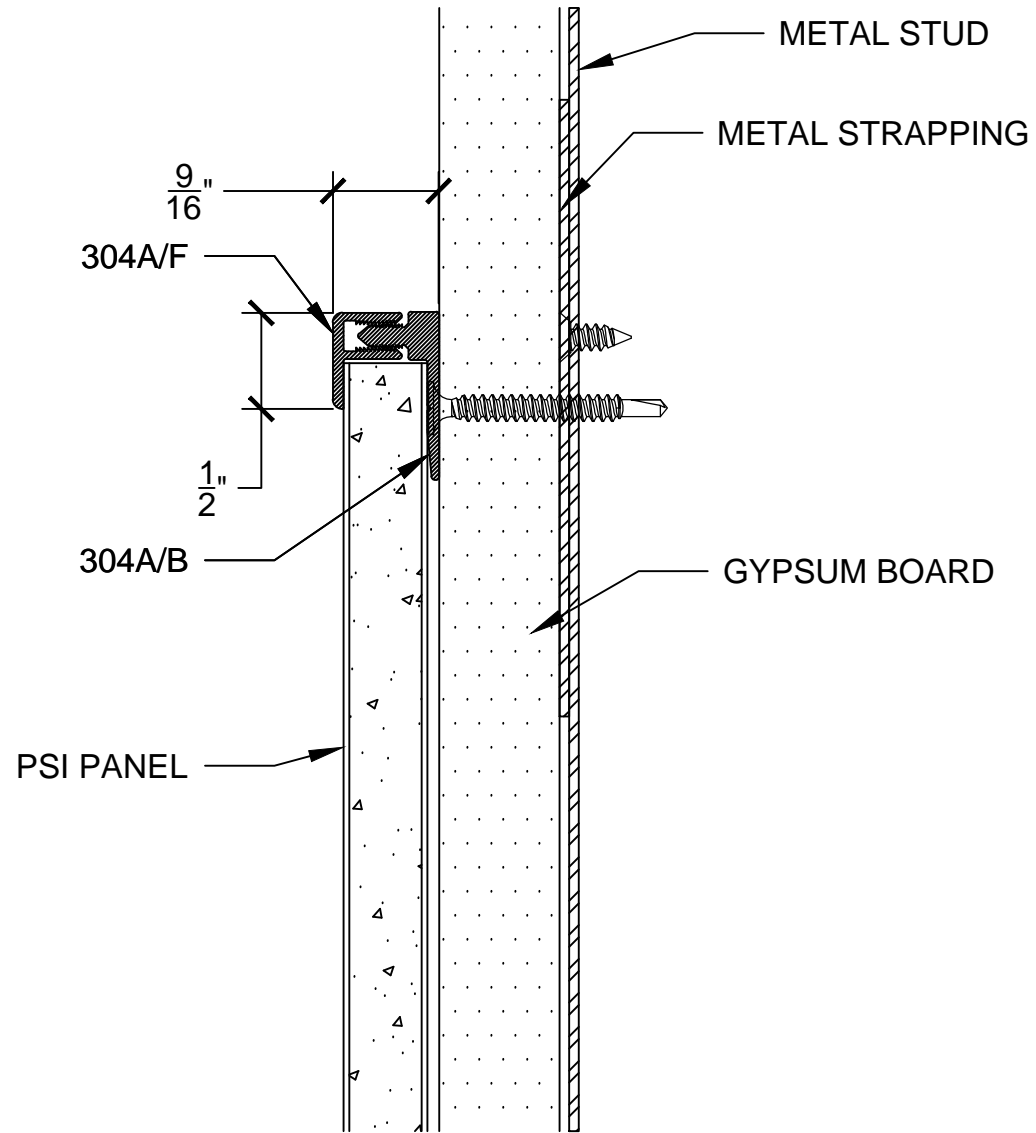
TOP VIEW



#604A EDGE TRIM @ DOOR OR WINDOW FRAME

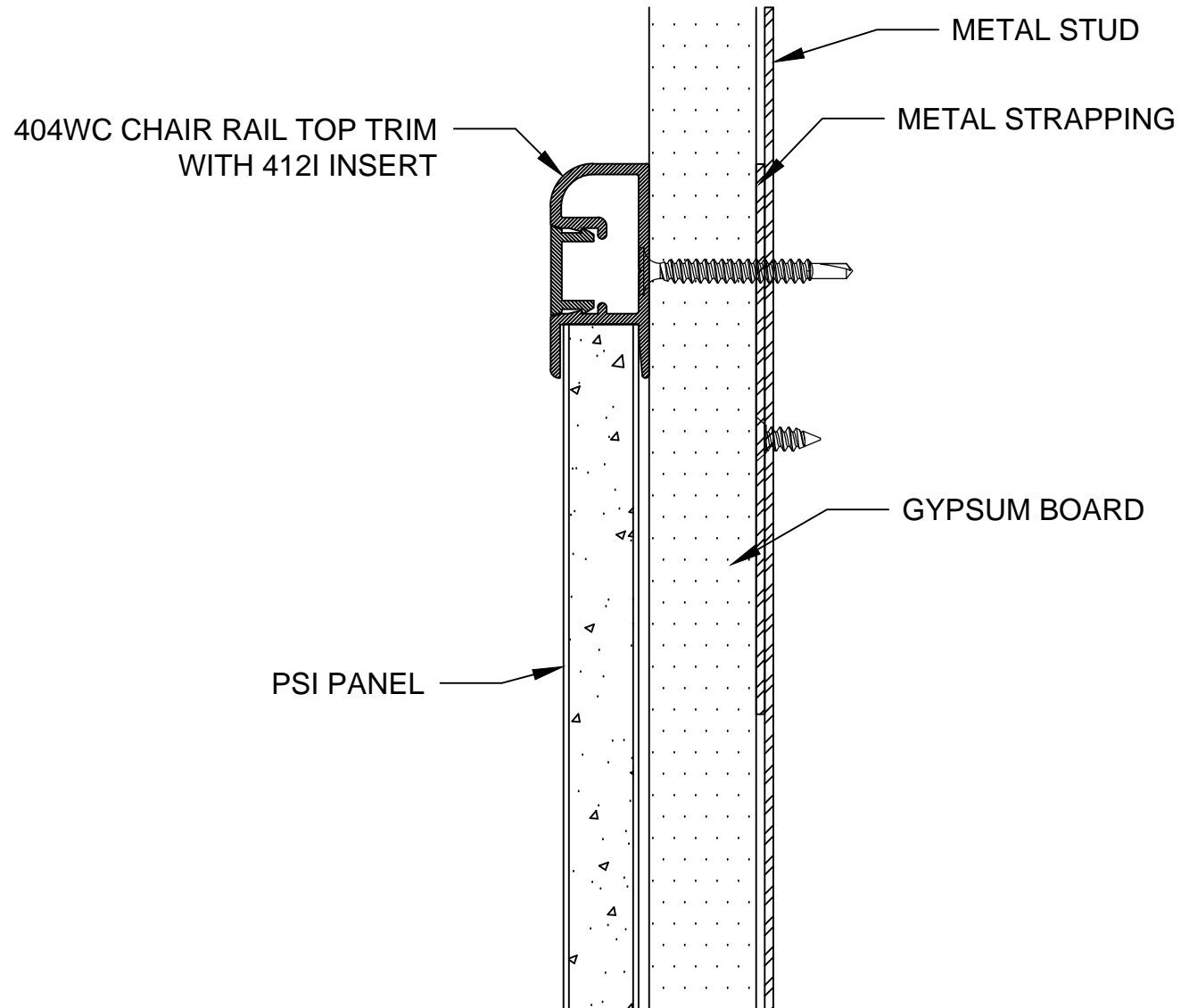
TOP VIEW





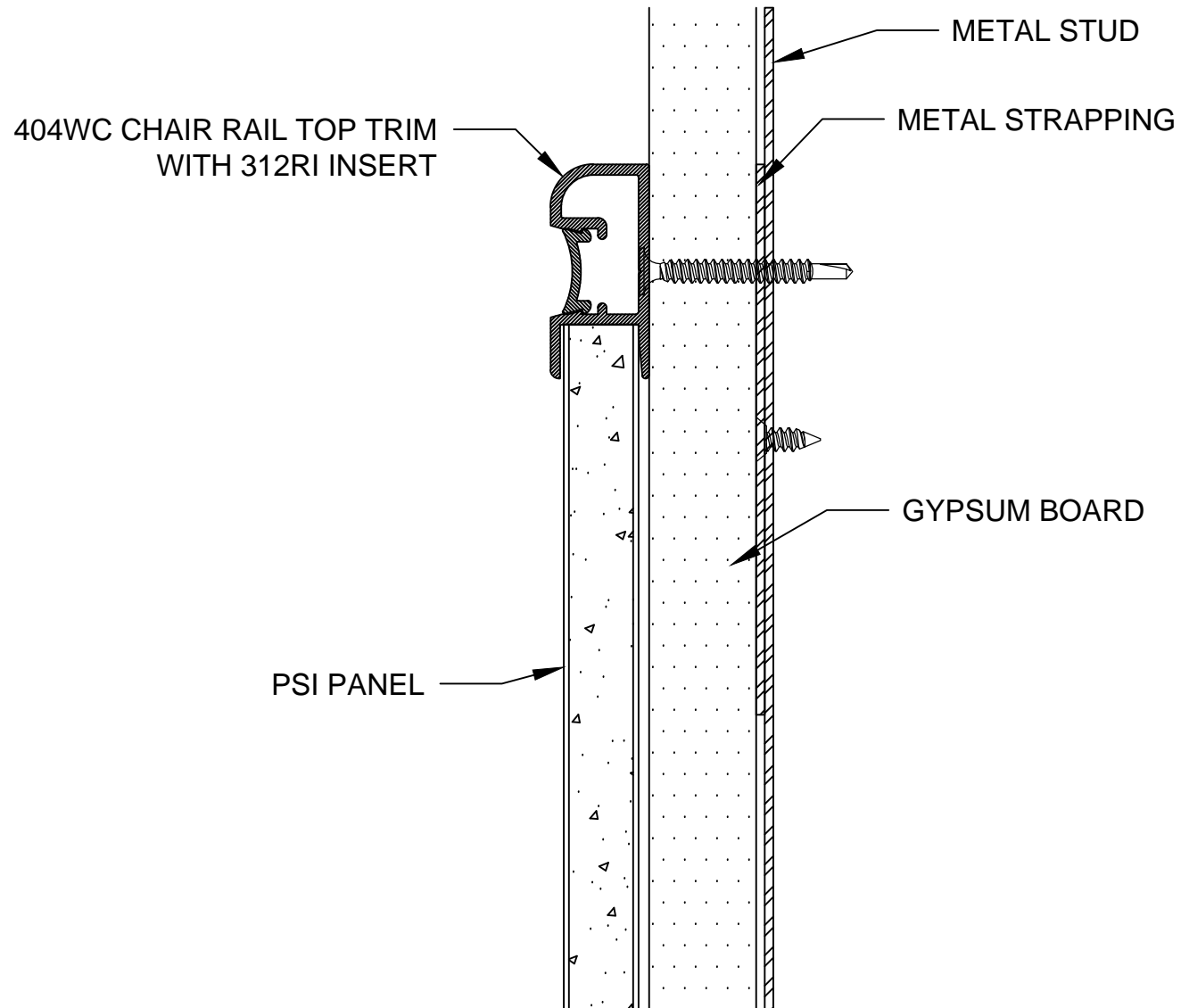
#304A TOP TRIM

RIGHT SIDE VIEW



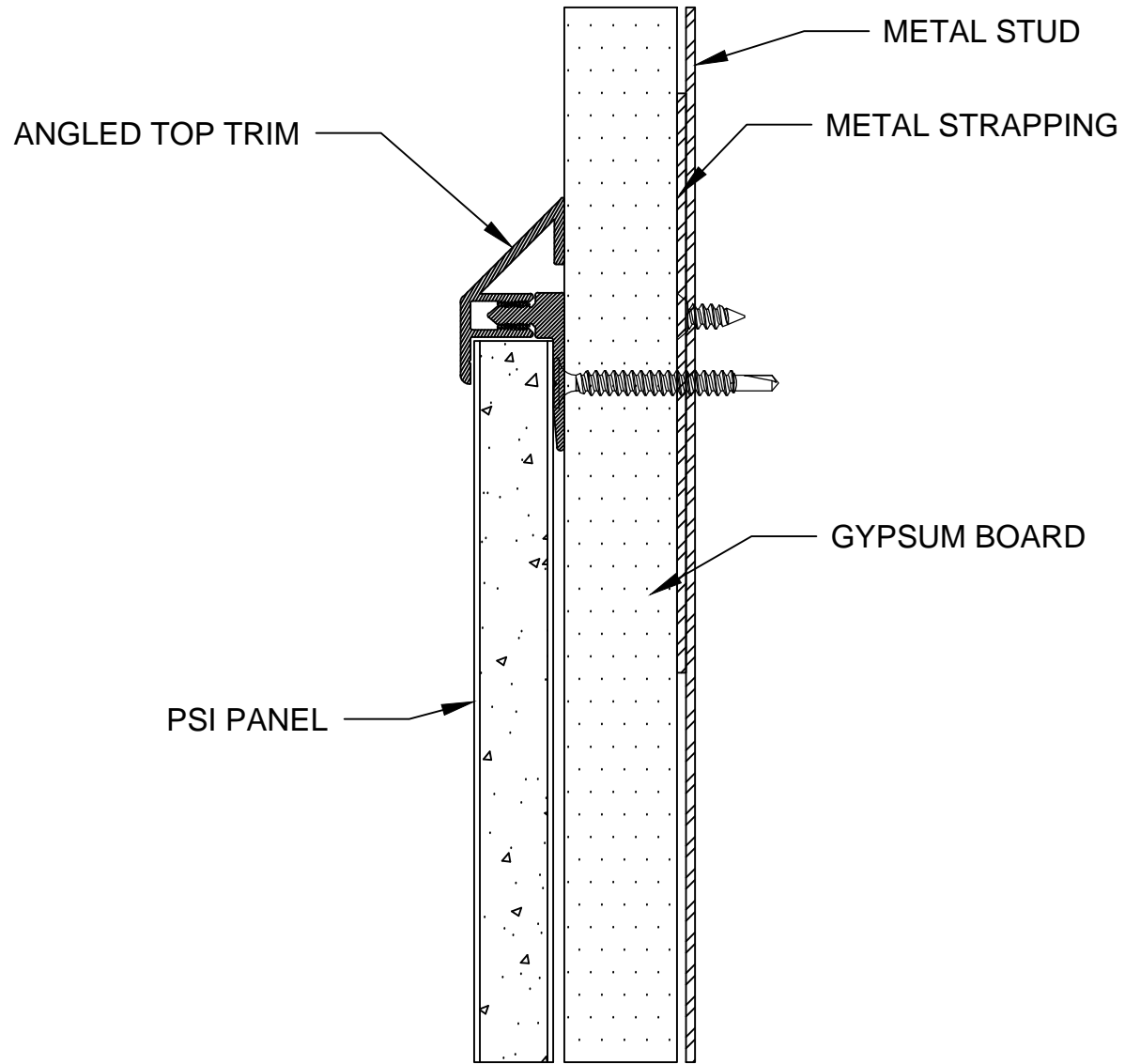
404WC WAINSCOT CHAIR RAIL TOP TRIM

RIGHT SIDE VIEW



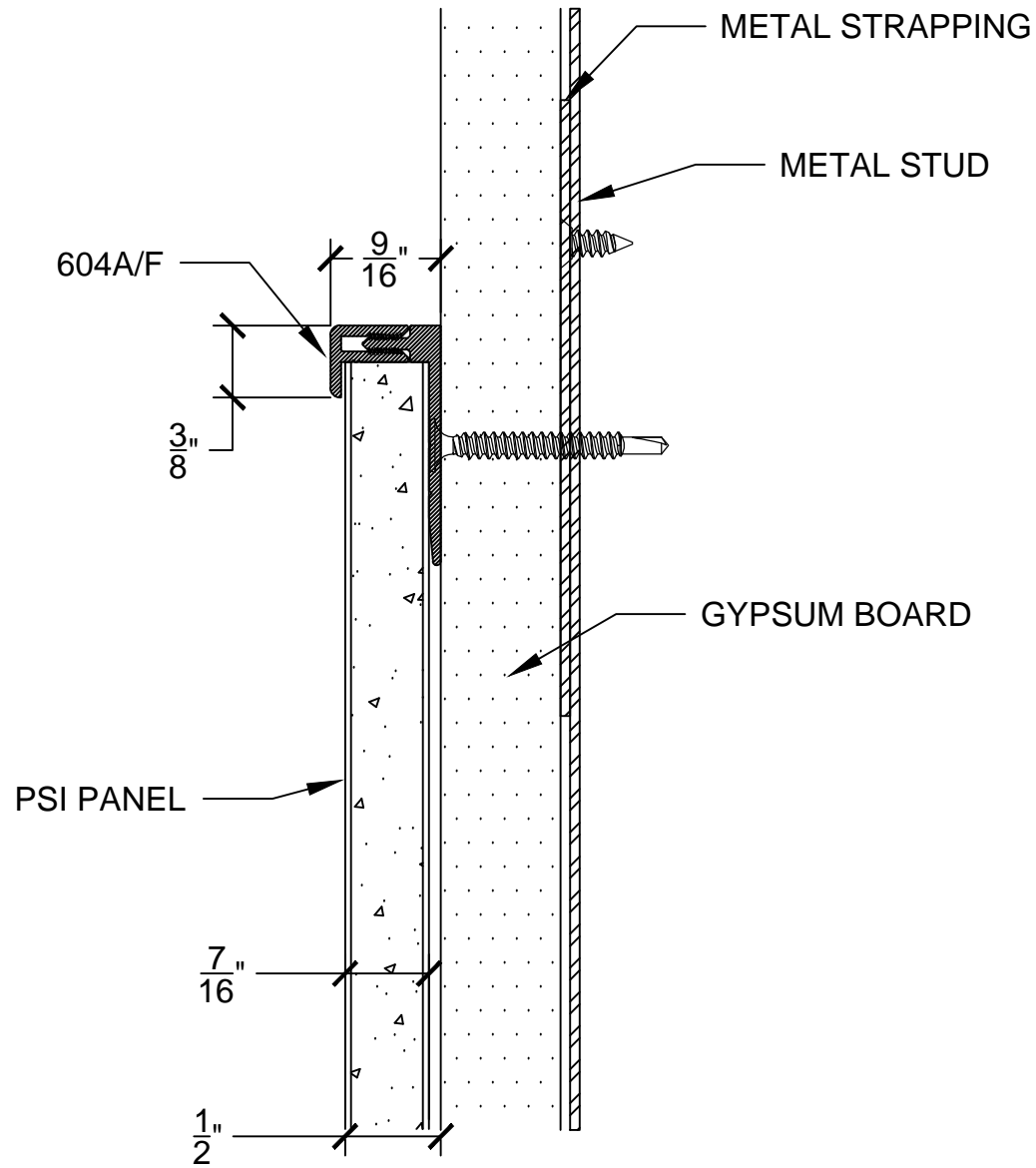
404WC WAINSCOT CHAIR RAIL TOP TRIM

RIGHT SIDE VIEW



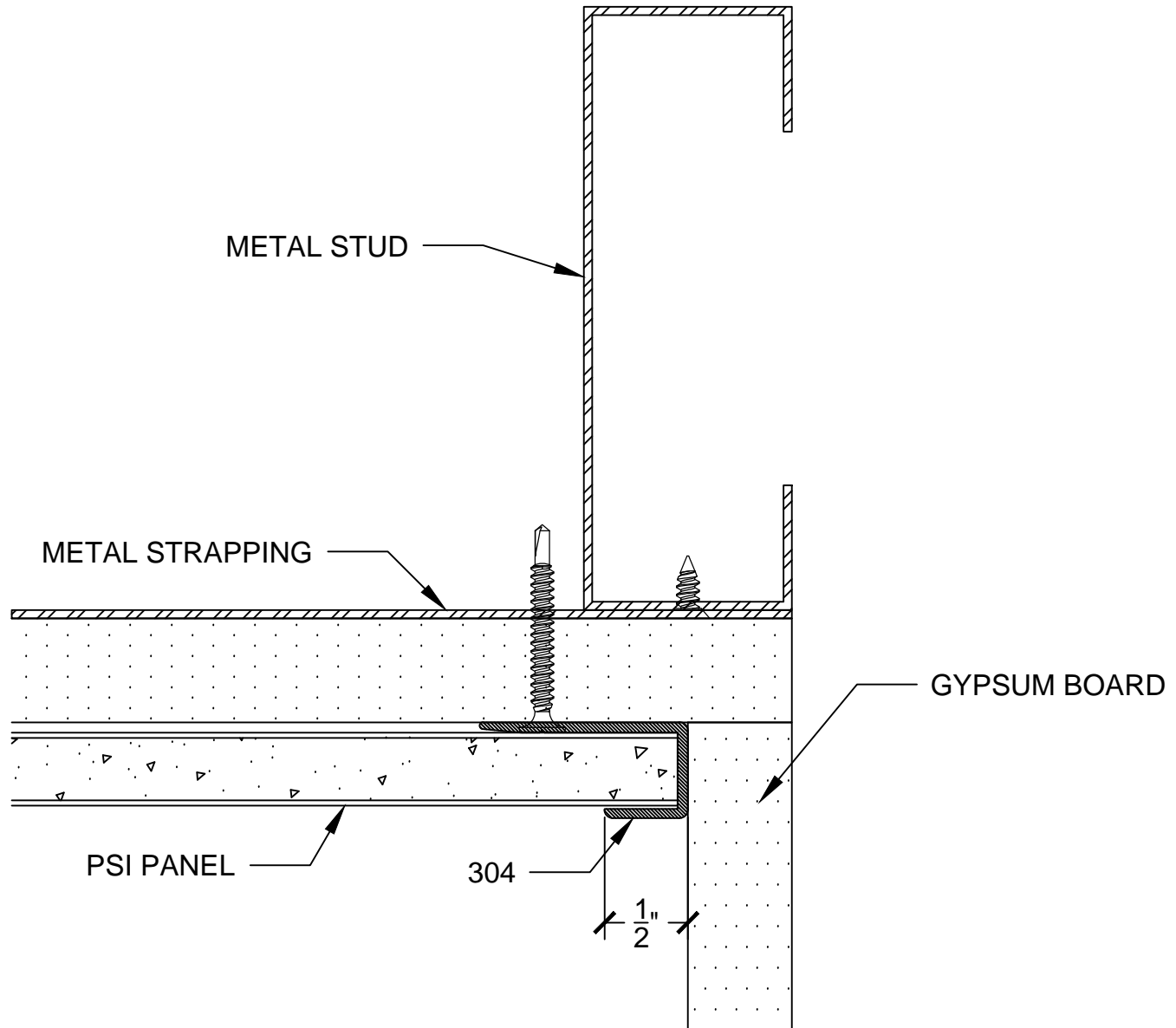
#304A ANGLED TOP TRIM

RIGHT SIDE VIEW



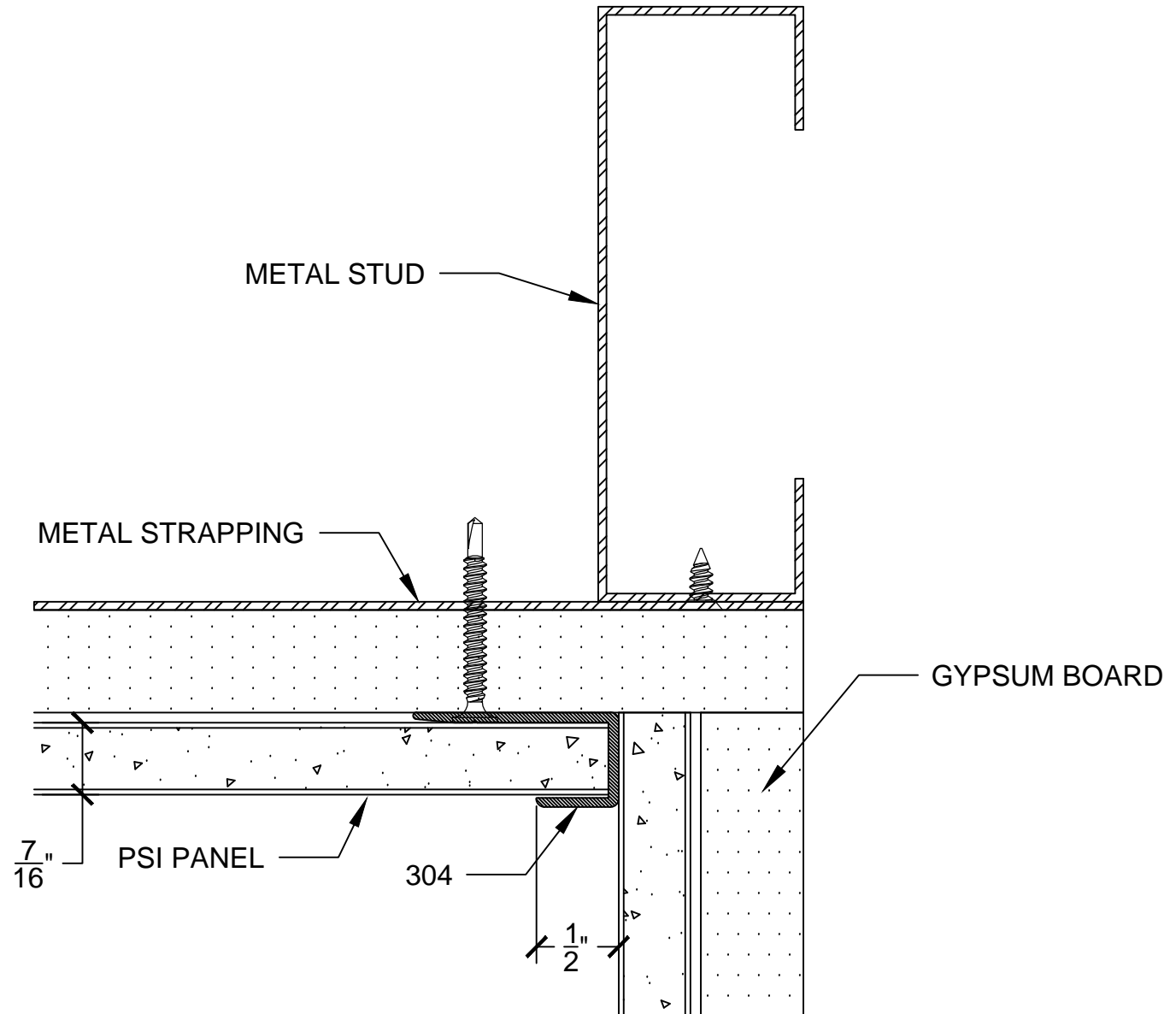
#604A TOP TRIM

RIGHT SIDE VIEW



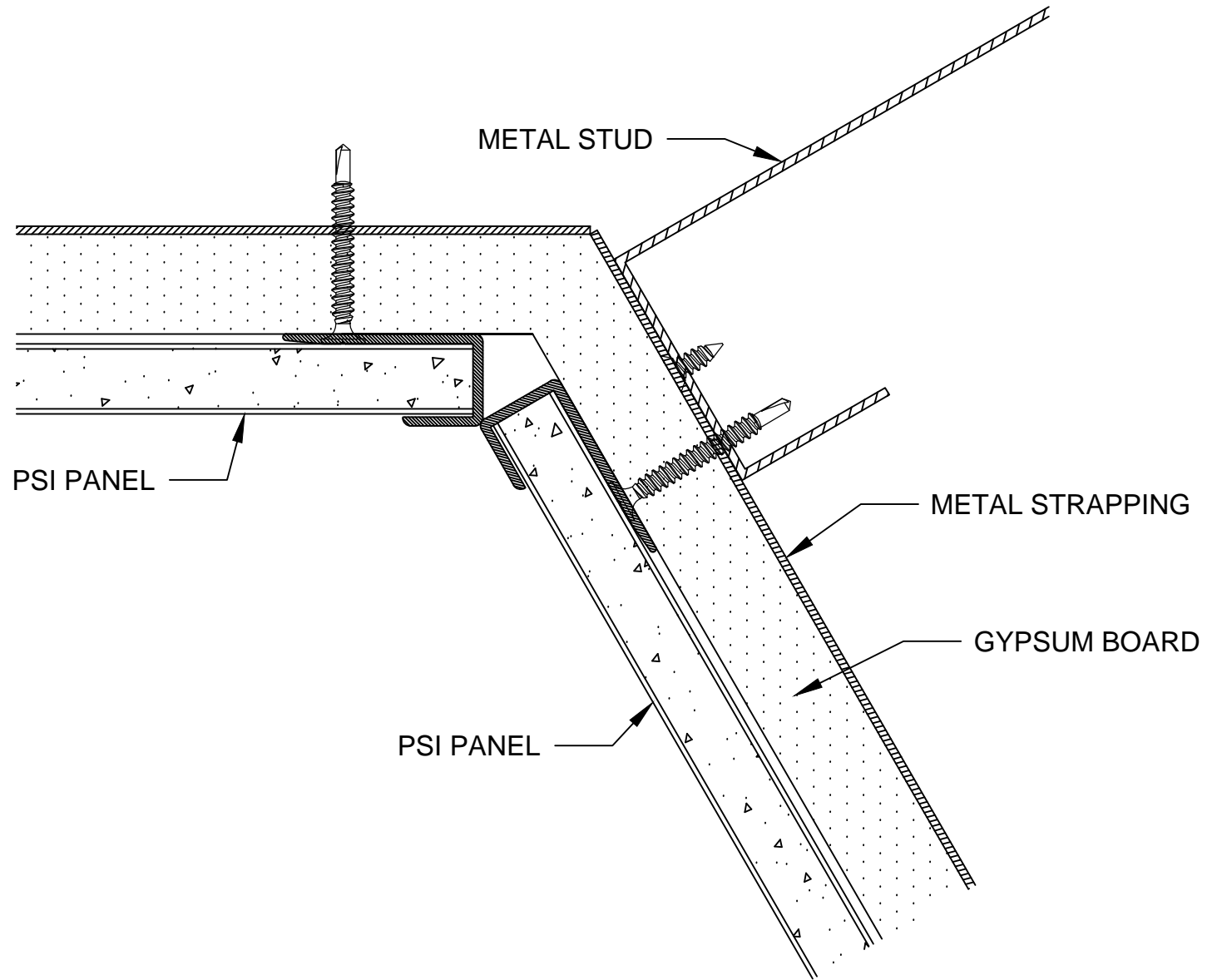
#304 INSIDE CORNER

TOP VIEW



#304 INSIDE CORNER

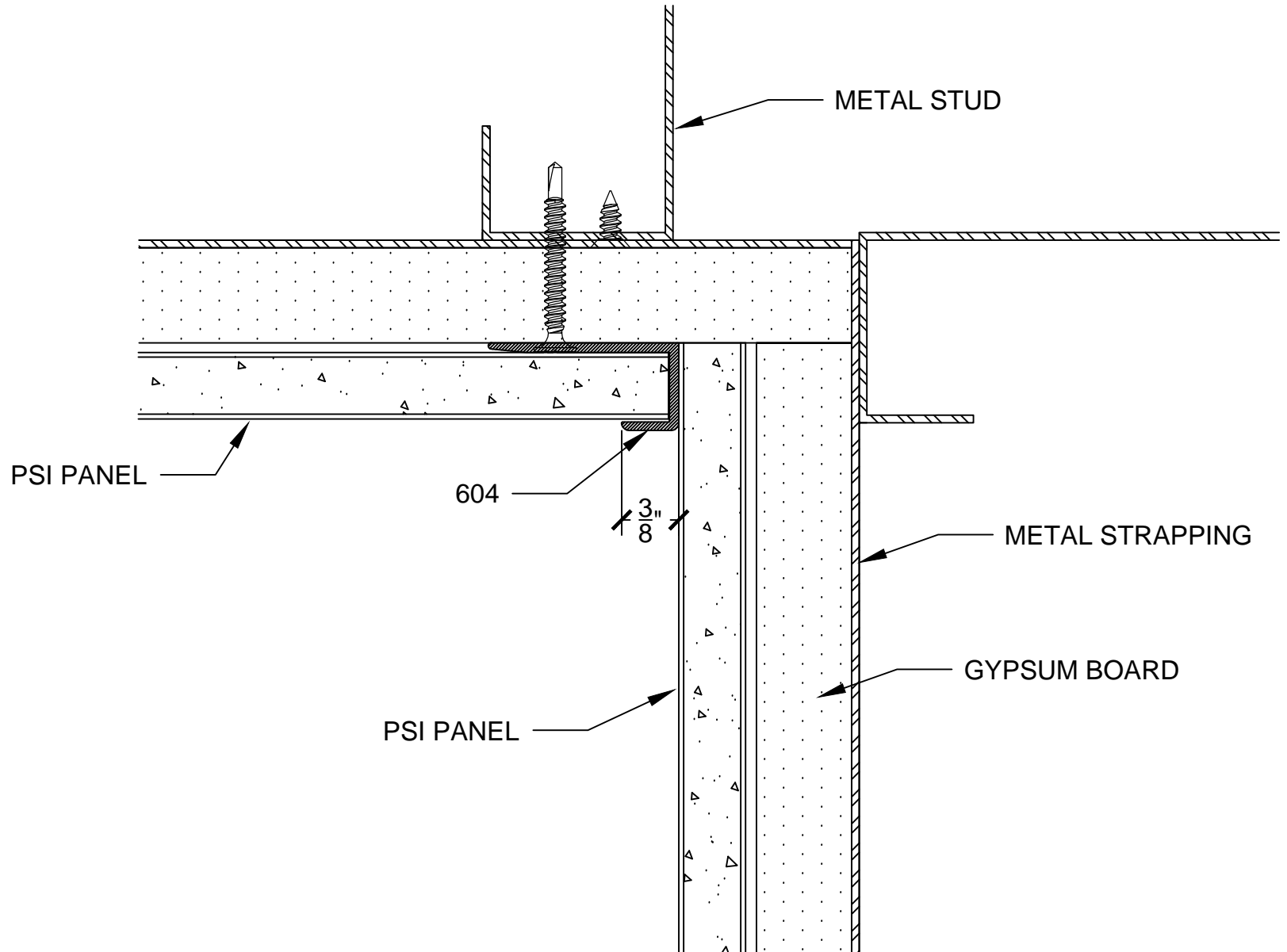
TOP VIEW



#304 ANGLED INSIDE CORNER

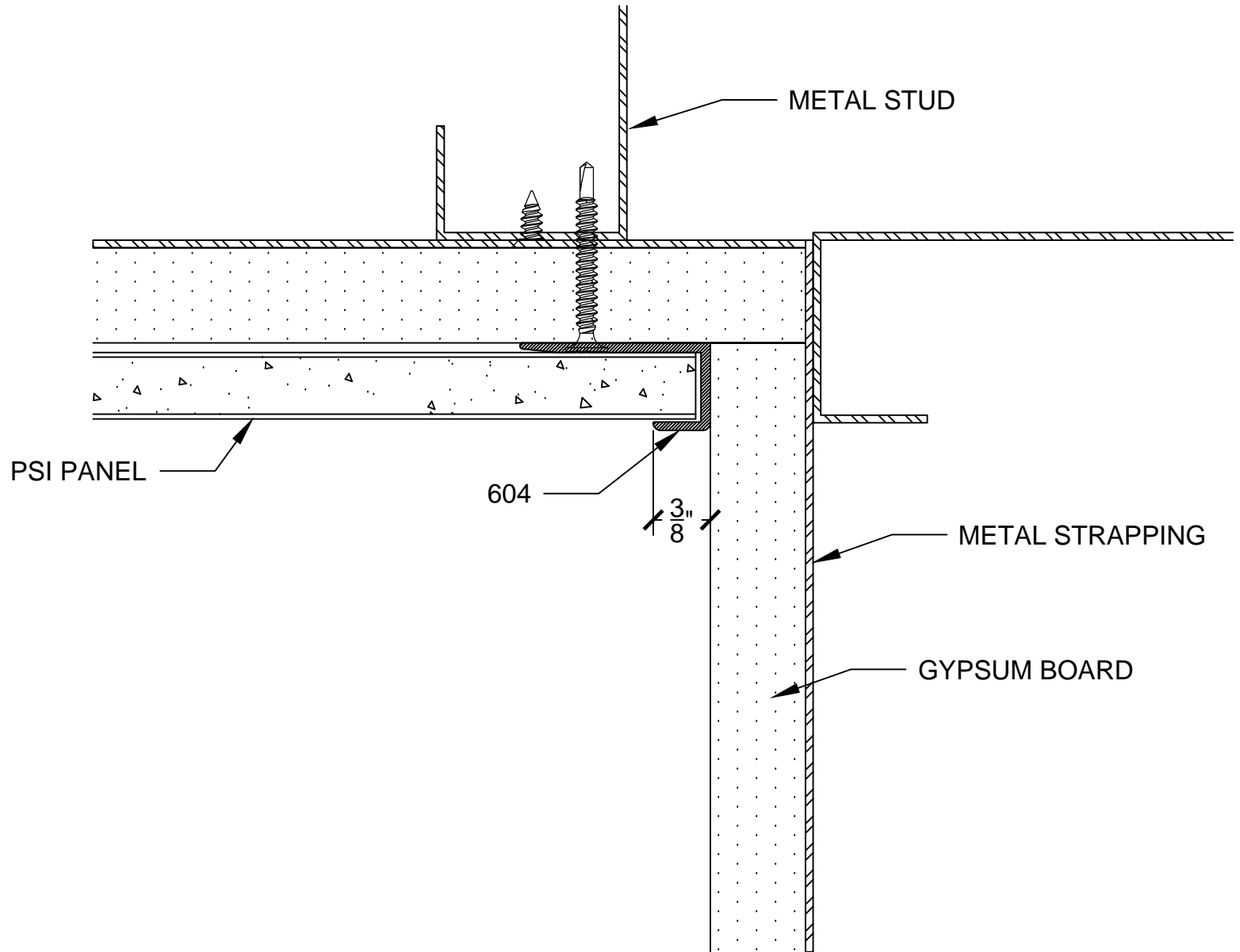
TOP VIEW





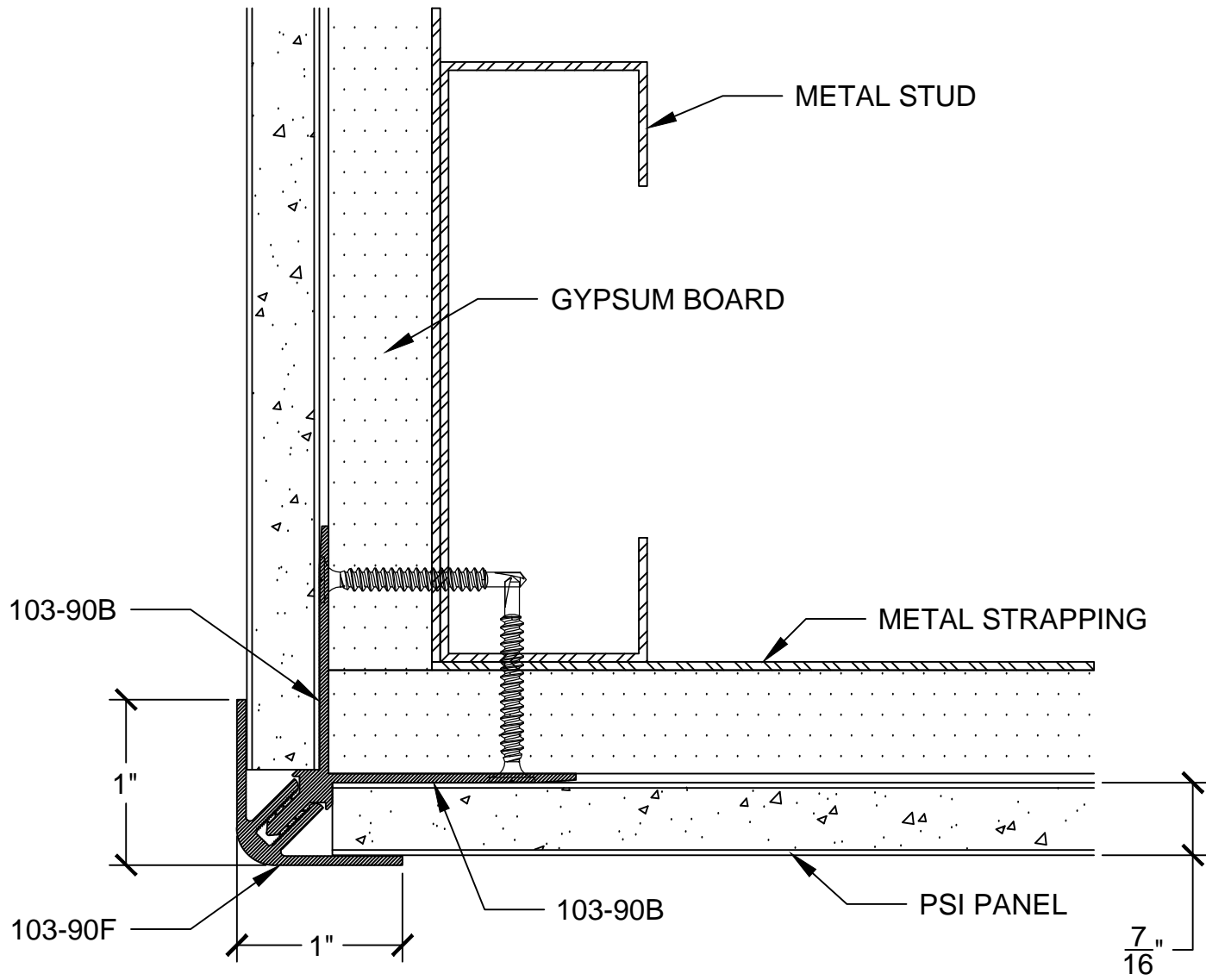
#604 INSIDE CORNER

TOP VIEW



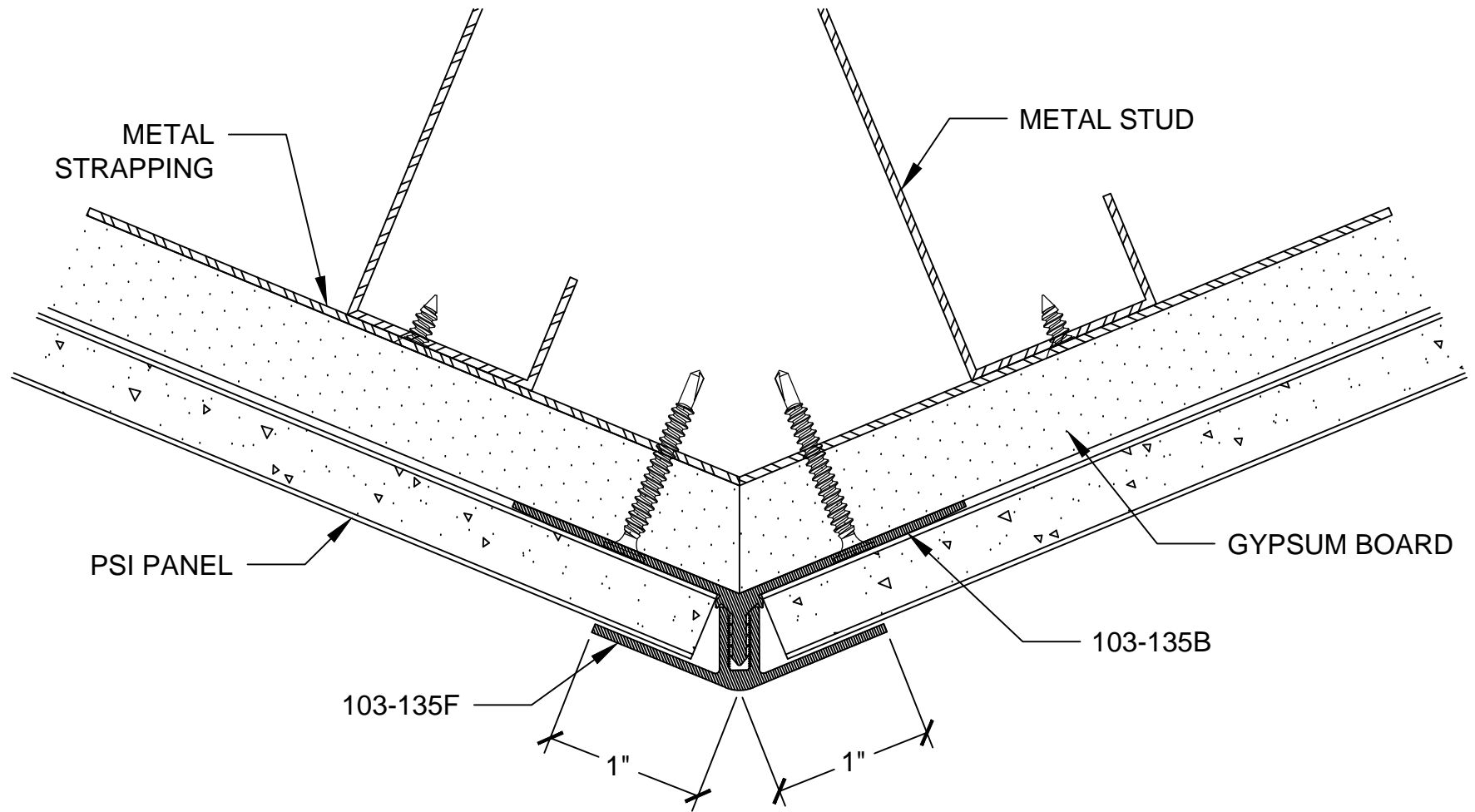
#604 INSIDE CORNER

TOP VIEW



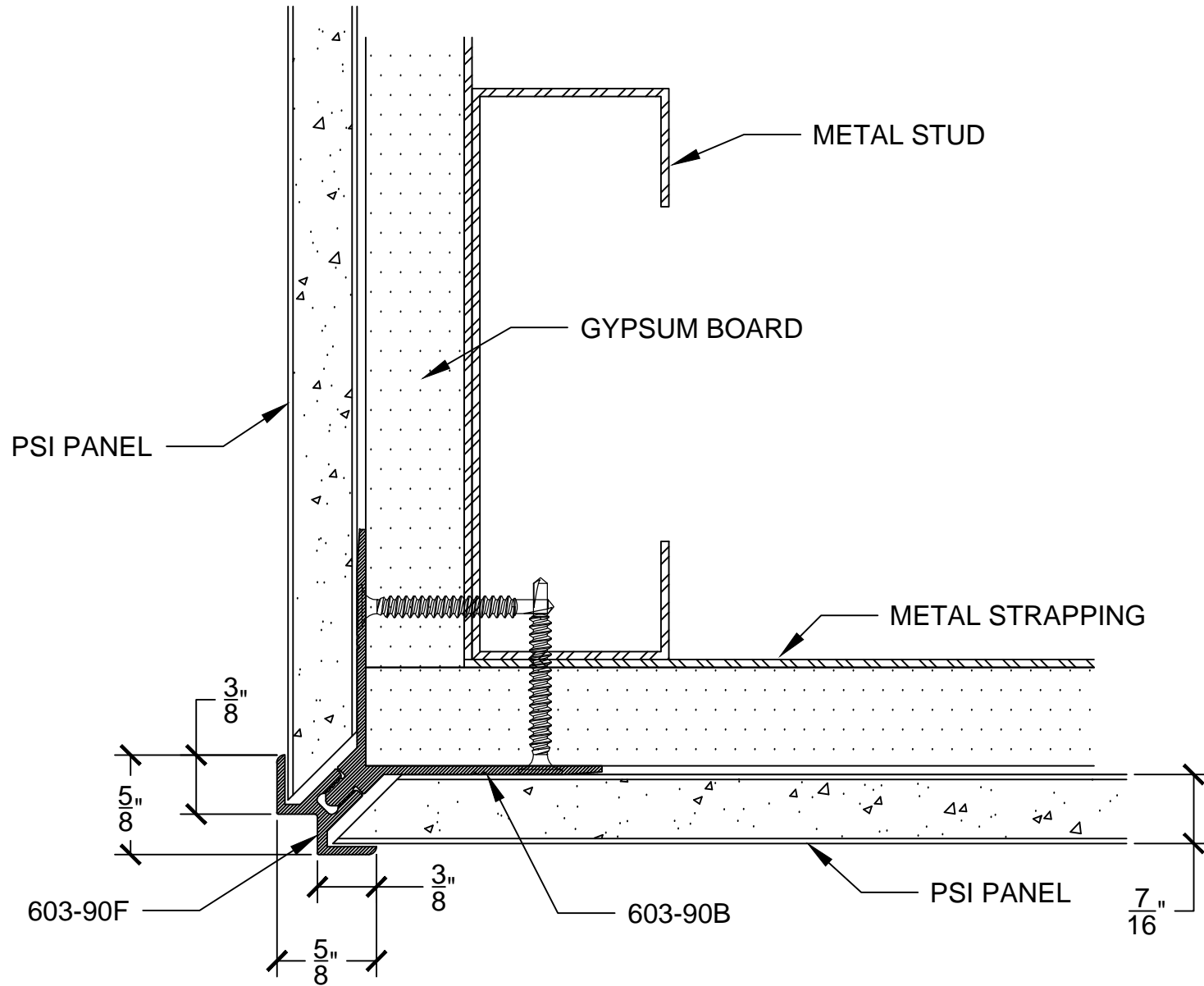
#103-90 OUTSIDE CORNER

TOP VIEW



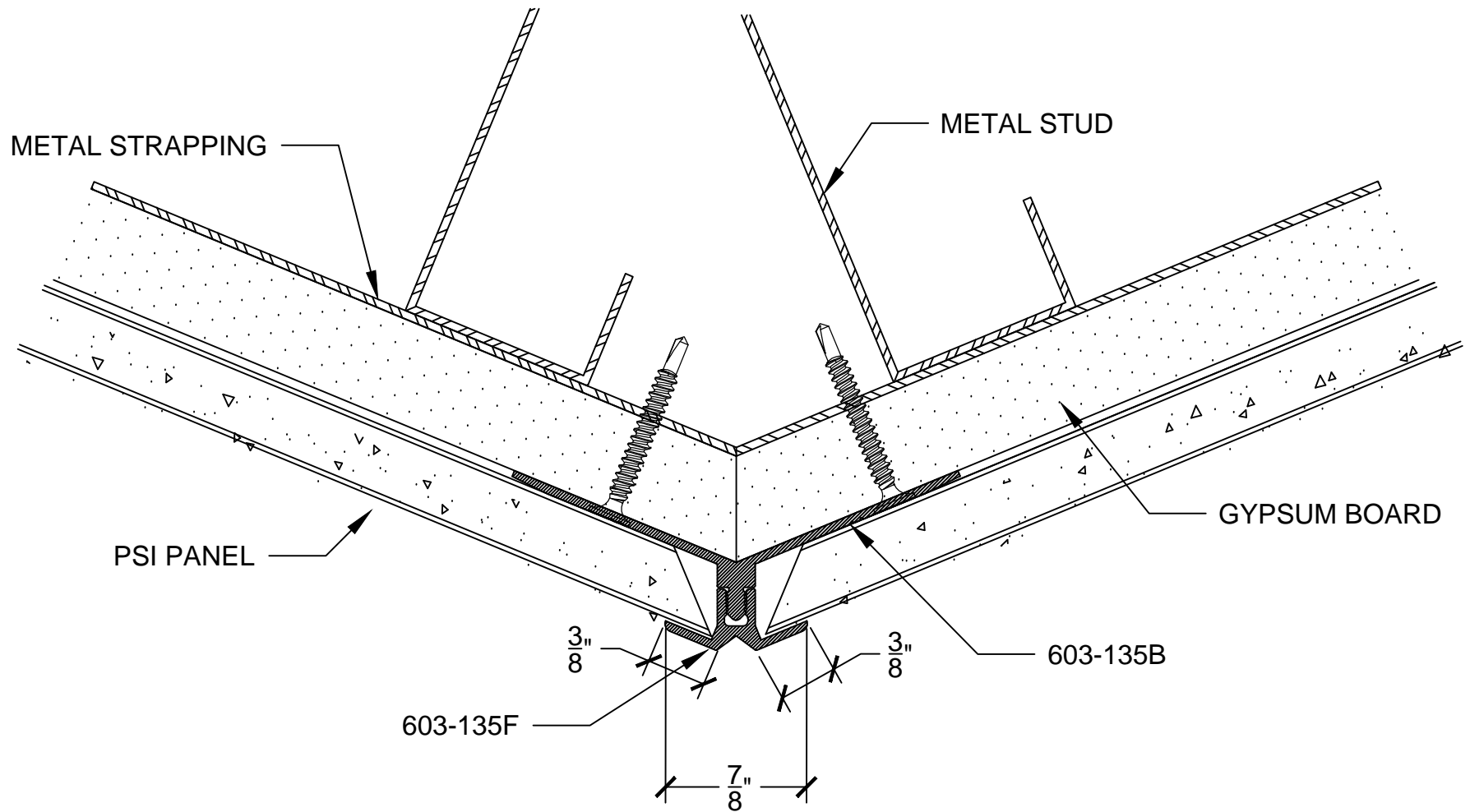
#103-135 OUTSIDE CORNER

TOP VIEW



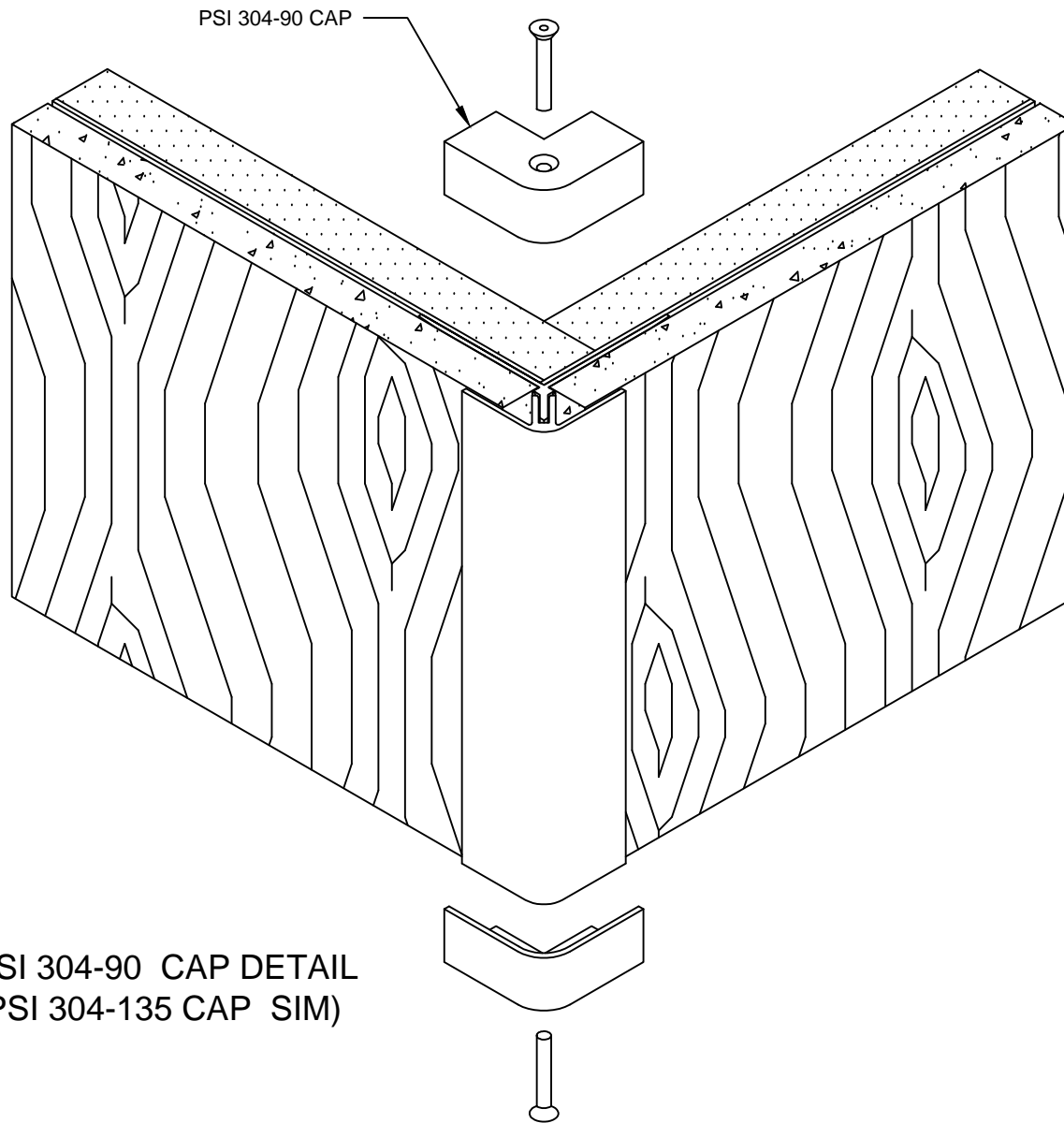
#603-90 OUTSIDE CORNER

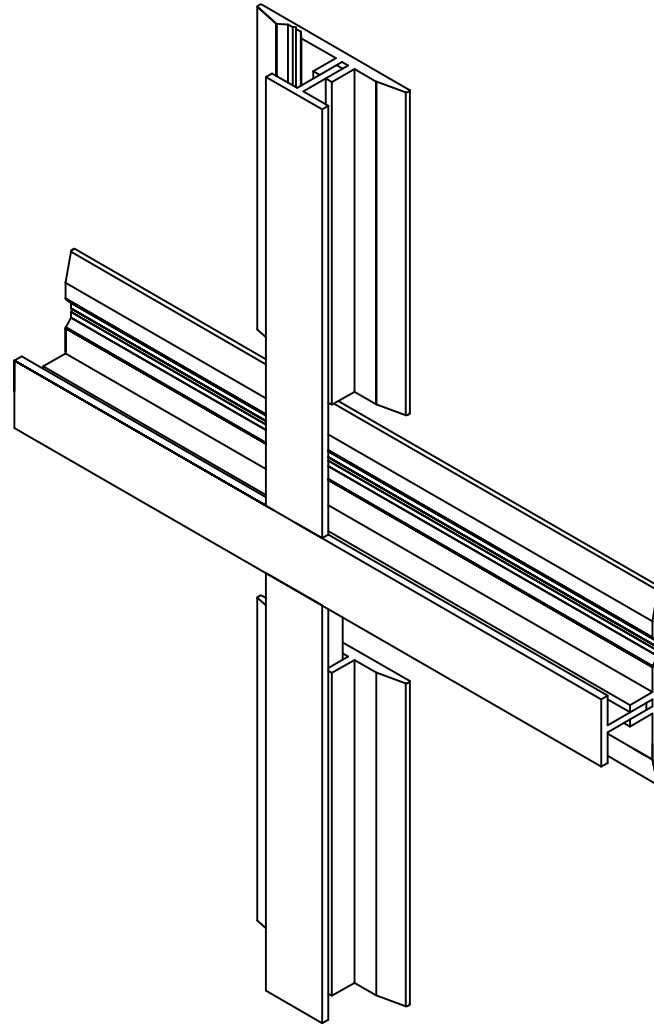
TOP VIEW



#603-135 OUTSIDE CORNER

TOP VIEW



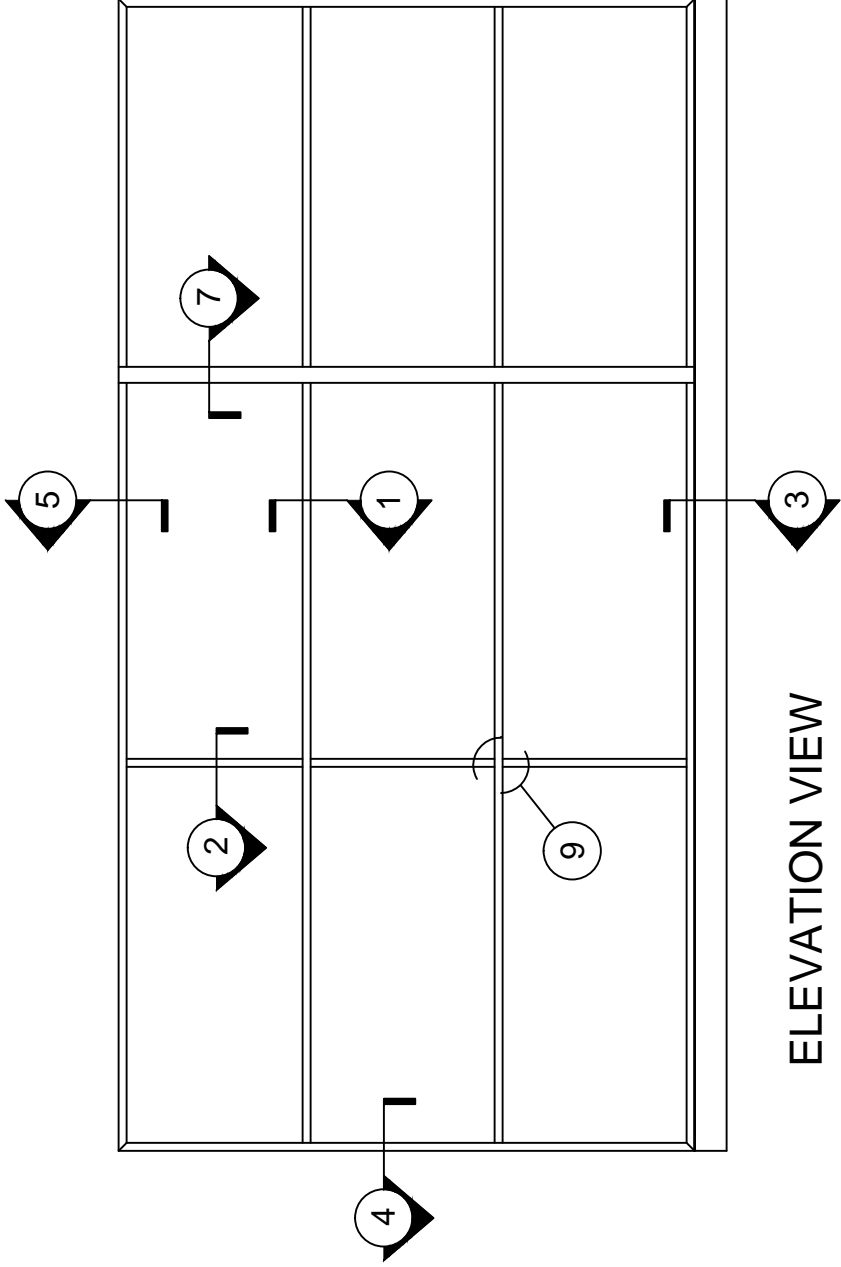


#410A REVEAL INTERSECTION DETAIL

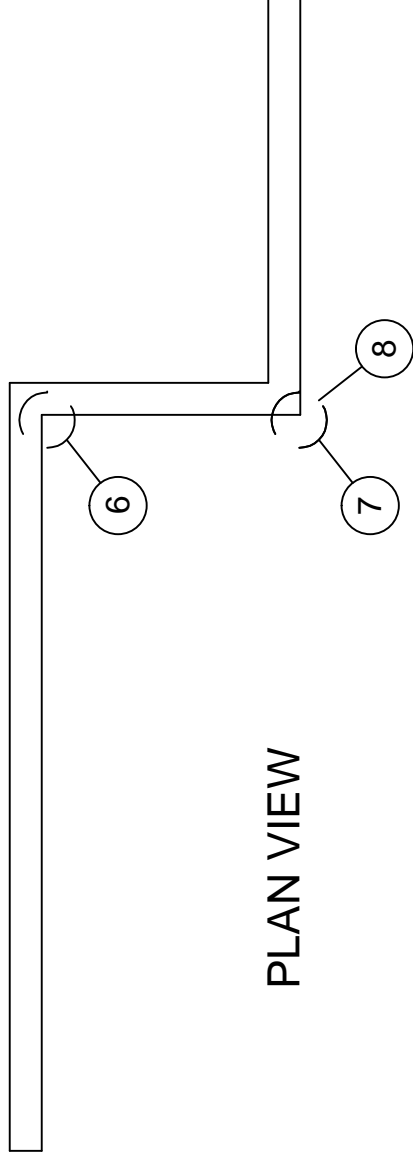
ISOMETRIC VIEW



PANEL SPECIALISTS INC.  
WALL PANEL SYSTEM 410



ELEVATION VIEW



PLAN VIEW