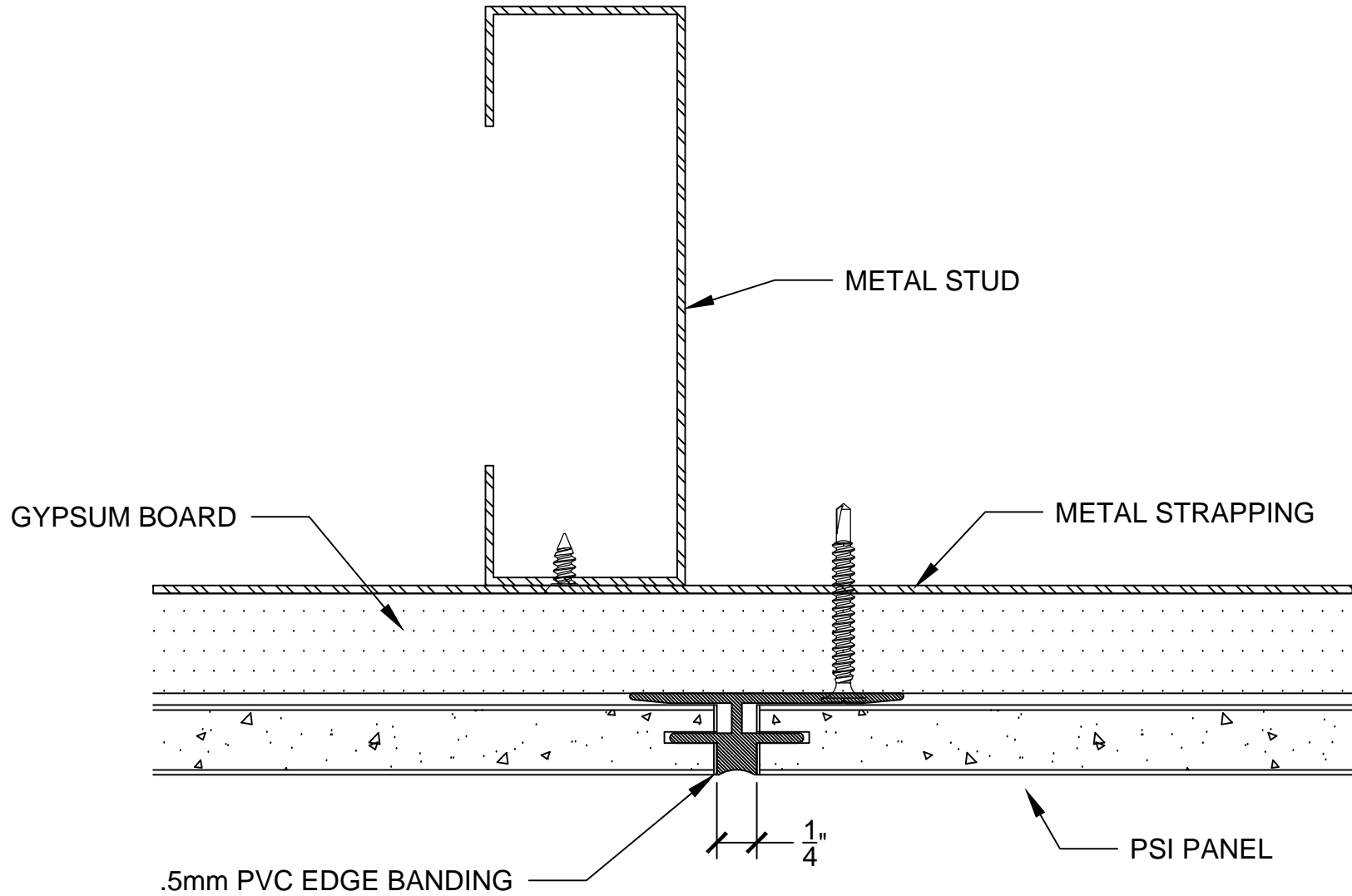
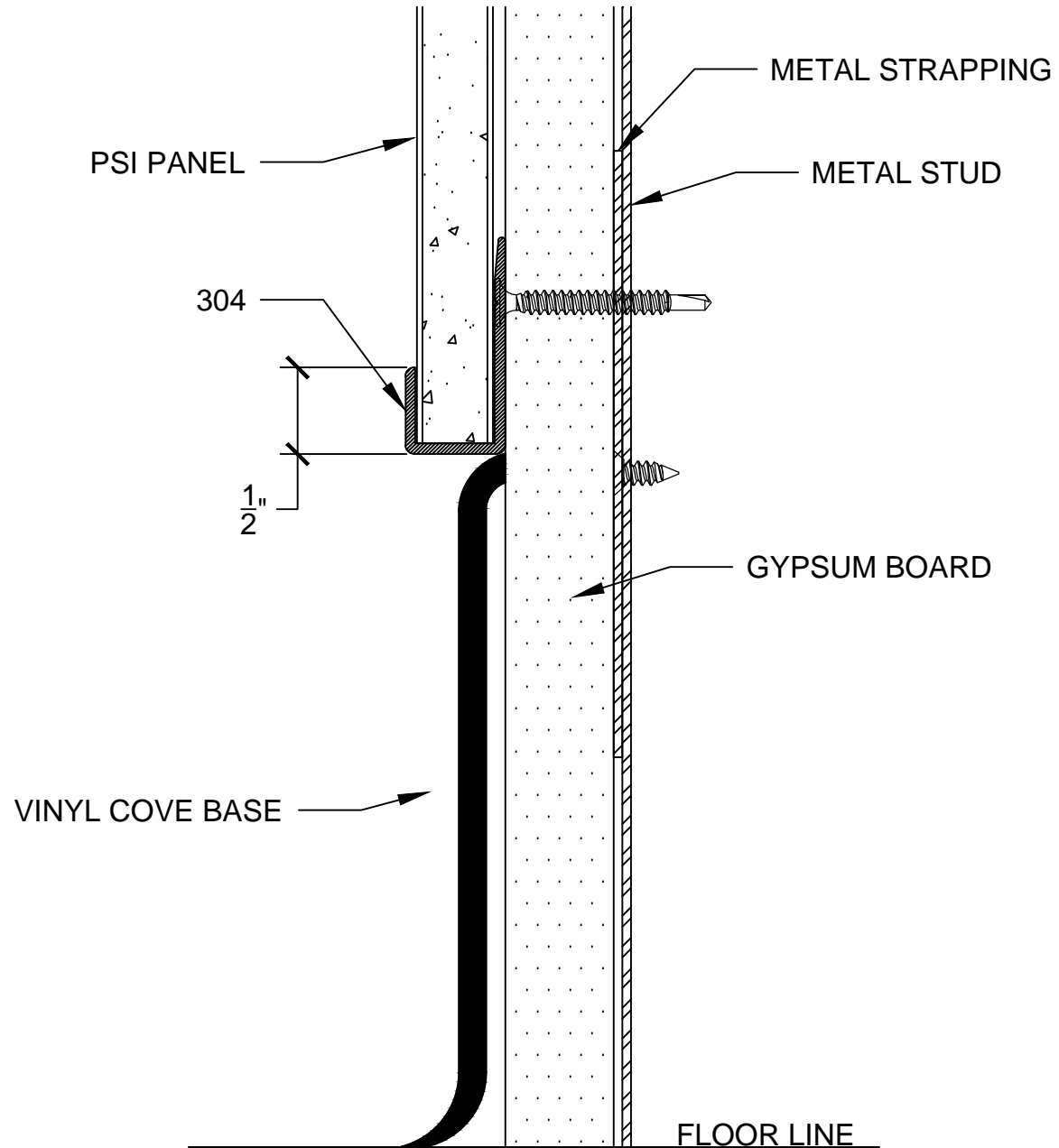


#410A HORIZONTAL BATTEN / DIVIDER

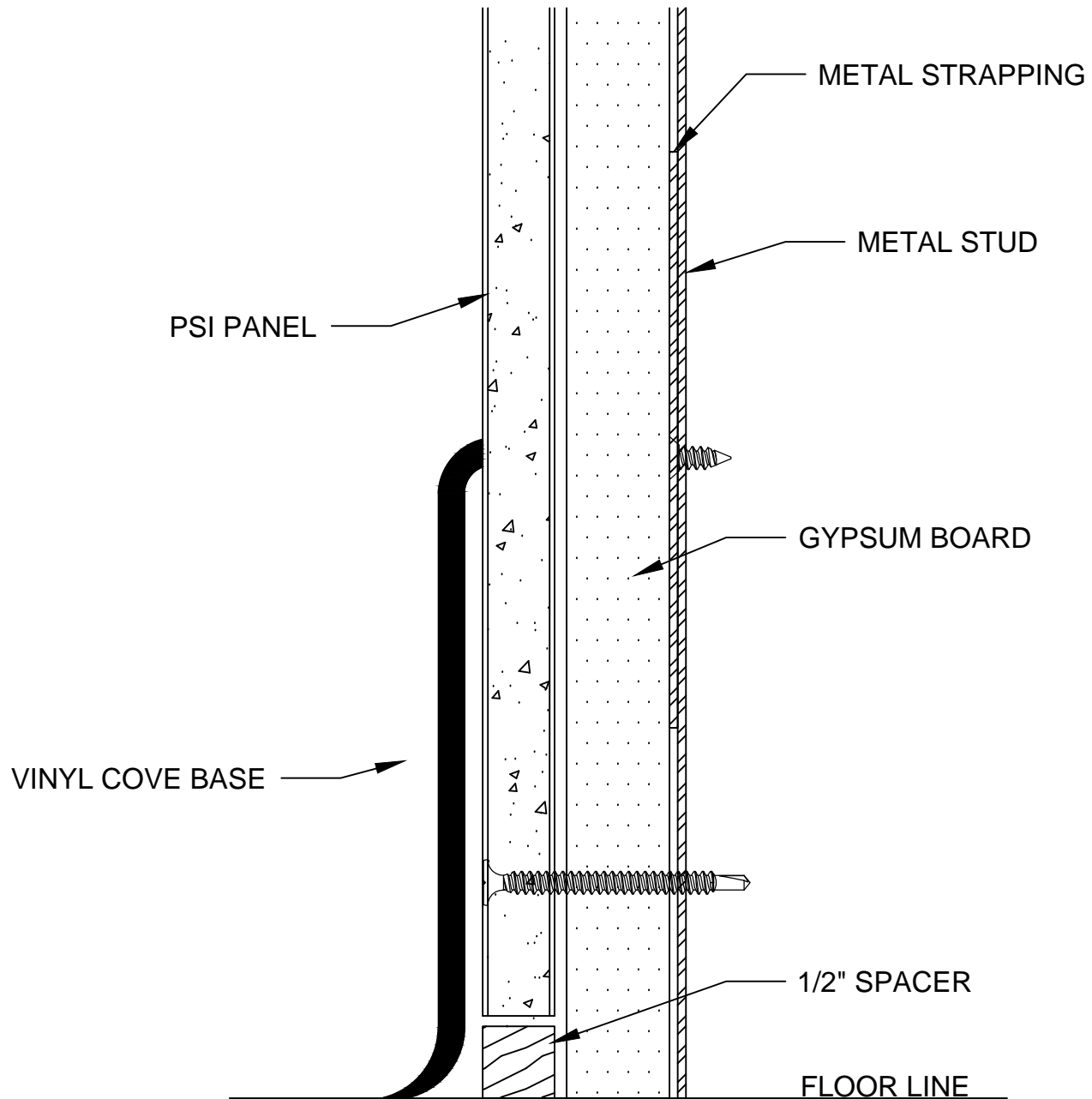
RIGHT SIDE VIEW

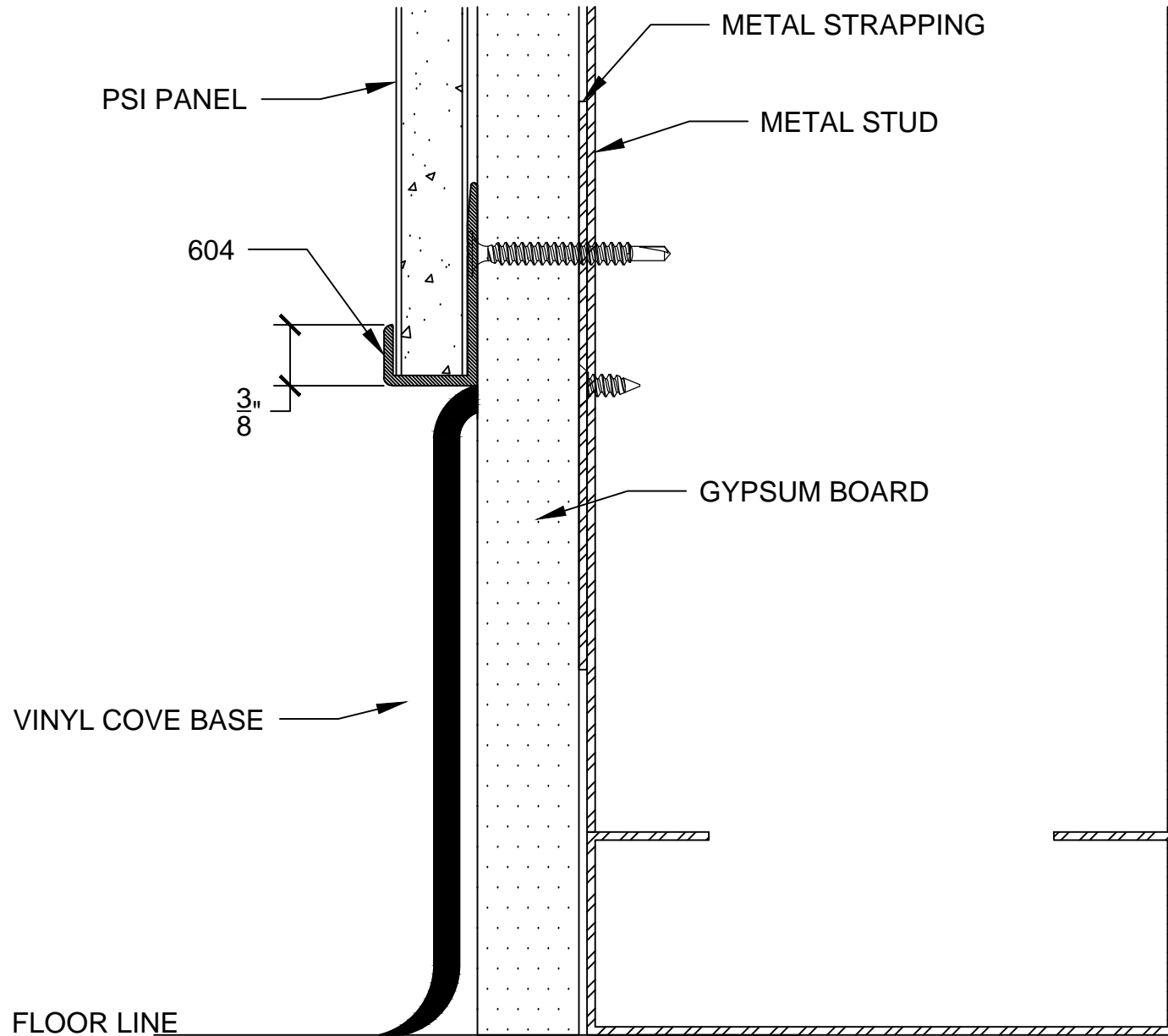




#304 HORIZONTAL TRIM - ABOVE BASE

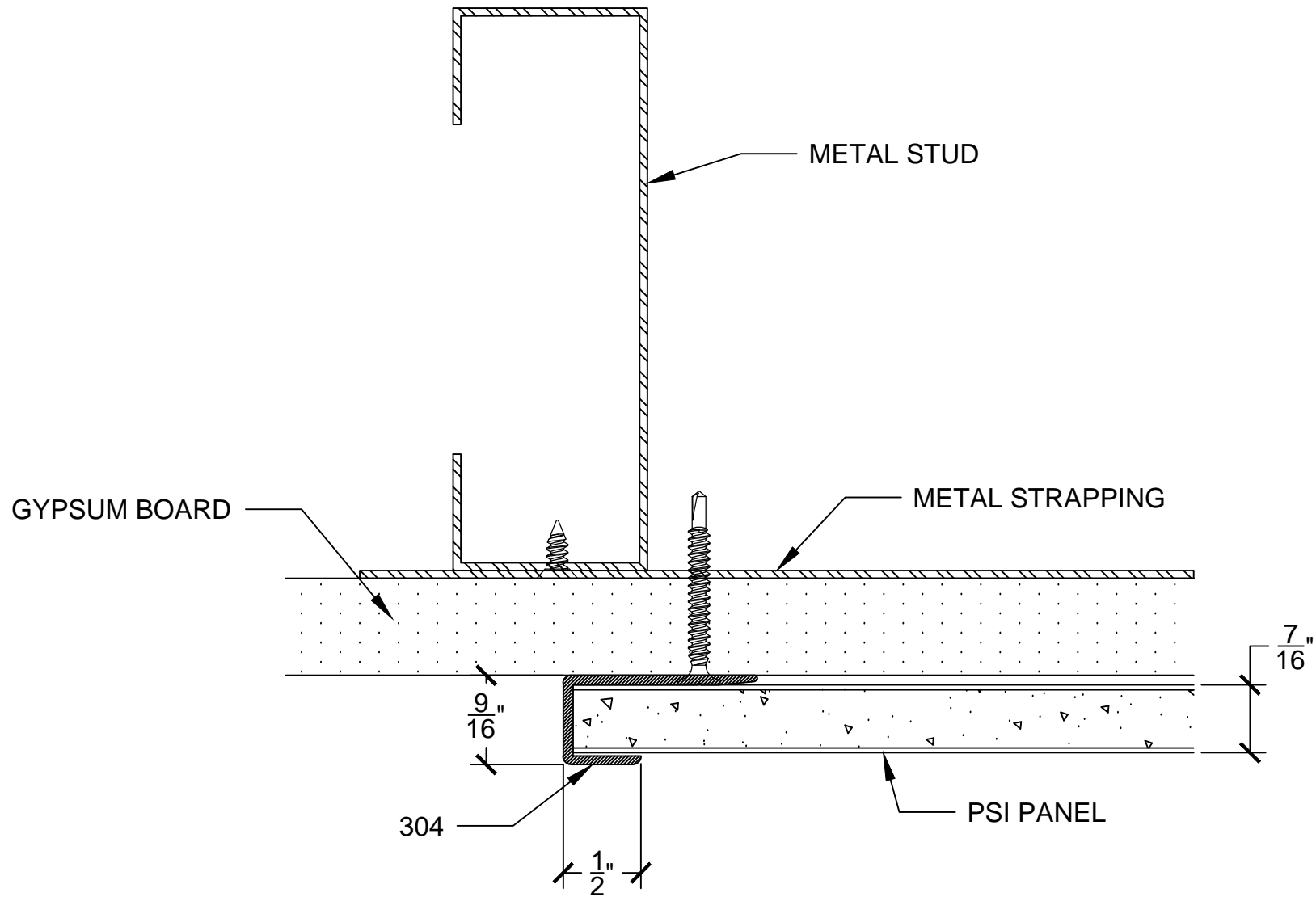
RIGHT SIDE VIEW



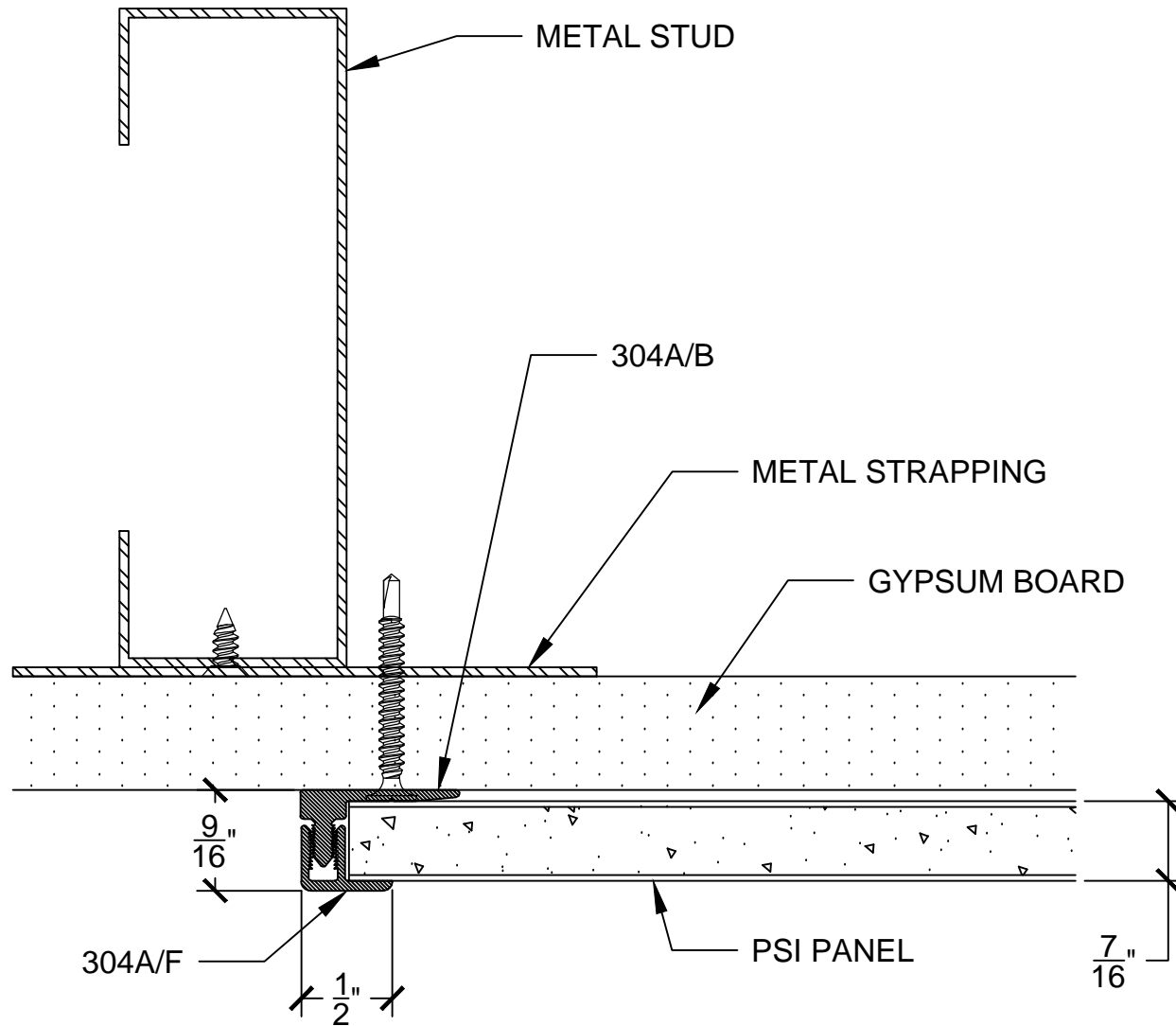


#604 HORIZONTAL TRIM - ABOVE BASE

RIGHT SIDE VIEW

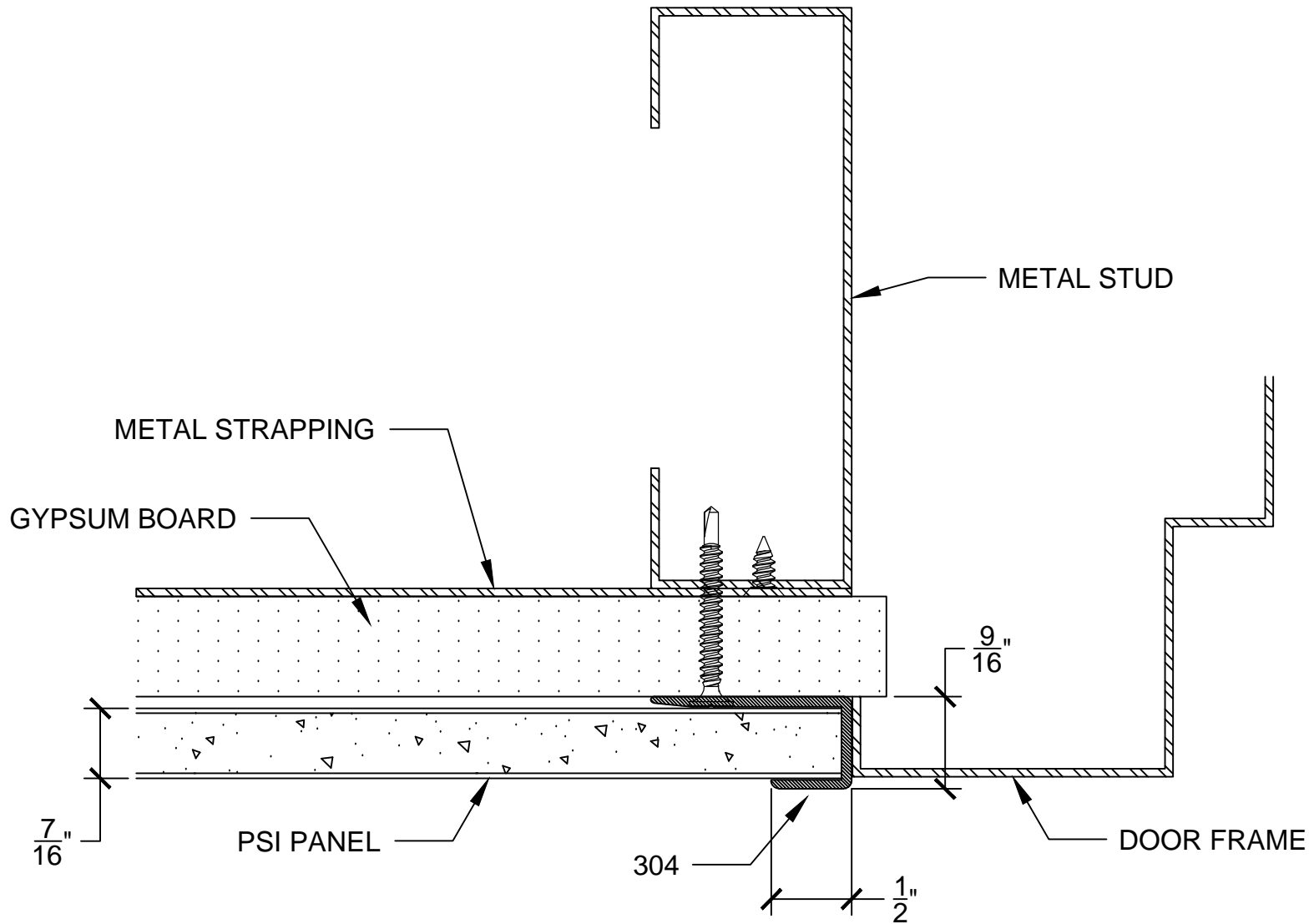






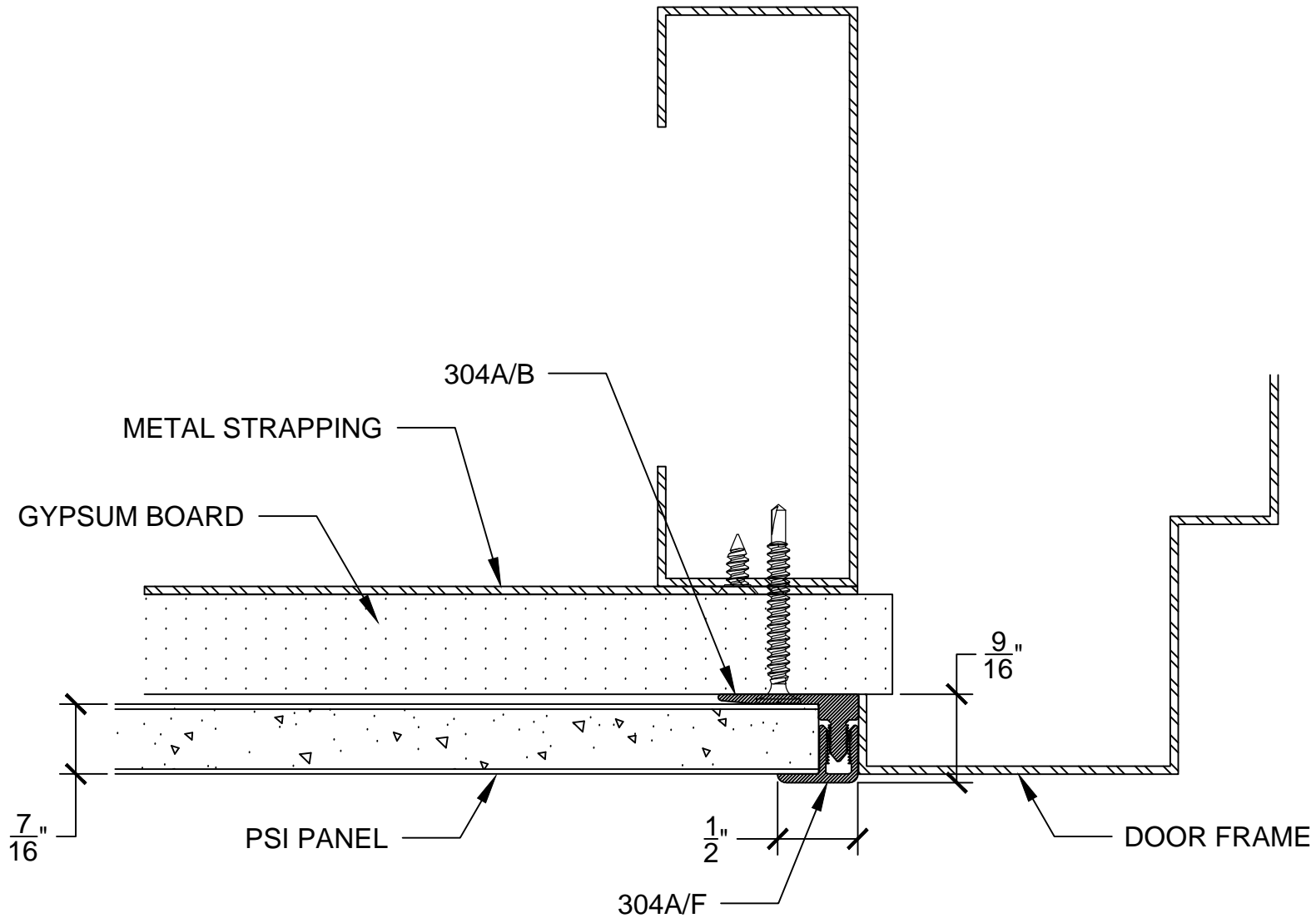
#304A VERTICAL EDGE TRIM

TOP VIEW



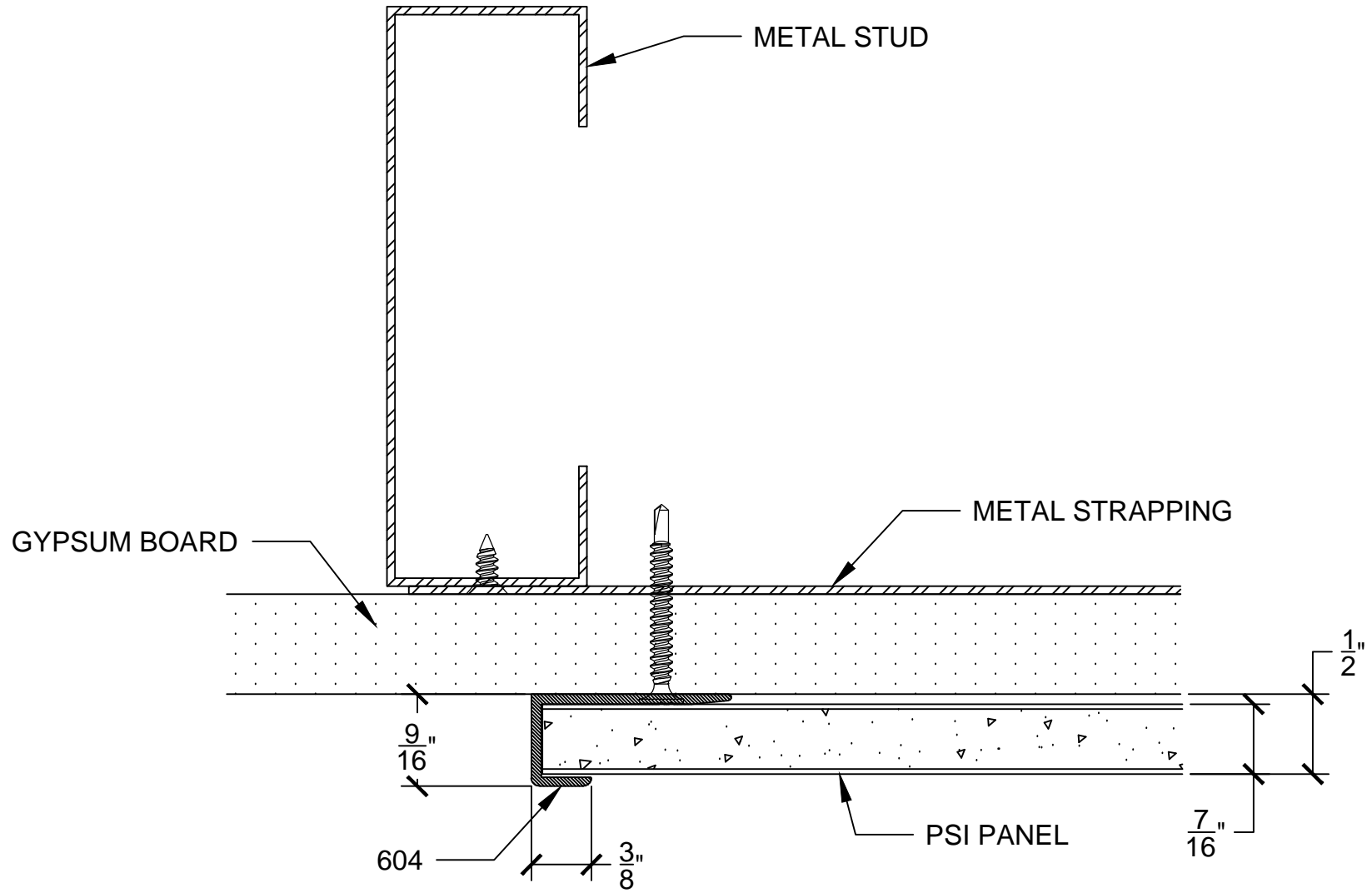
#304 EDGE TRIM @ DOOR OR WINDOW FRAME

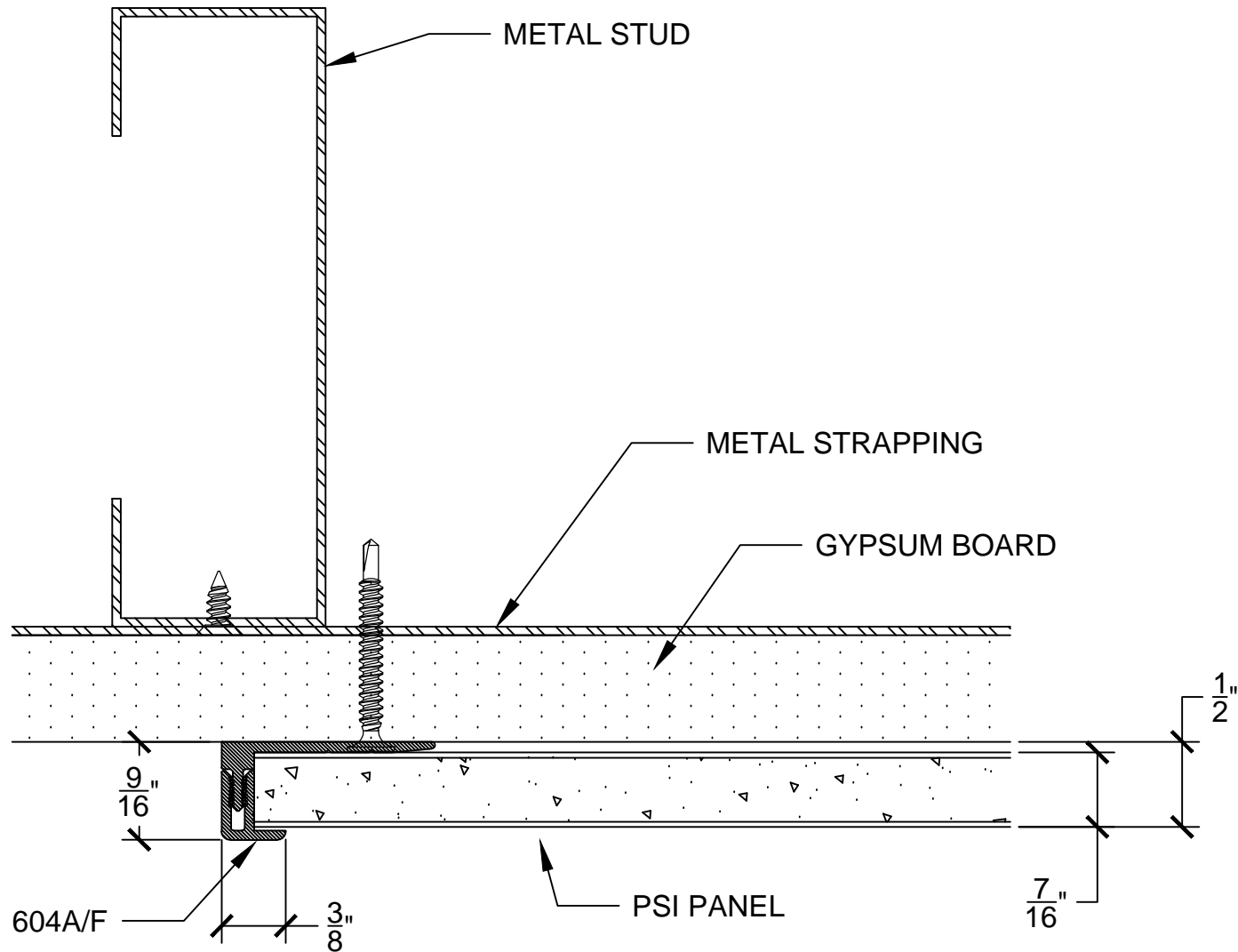
TOP VIEW



#304A EDGE TRIM @ DOOR OR WINDOW FRAME

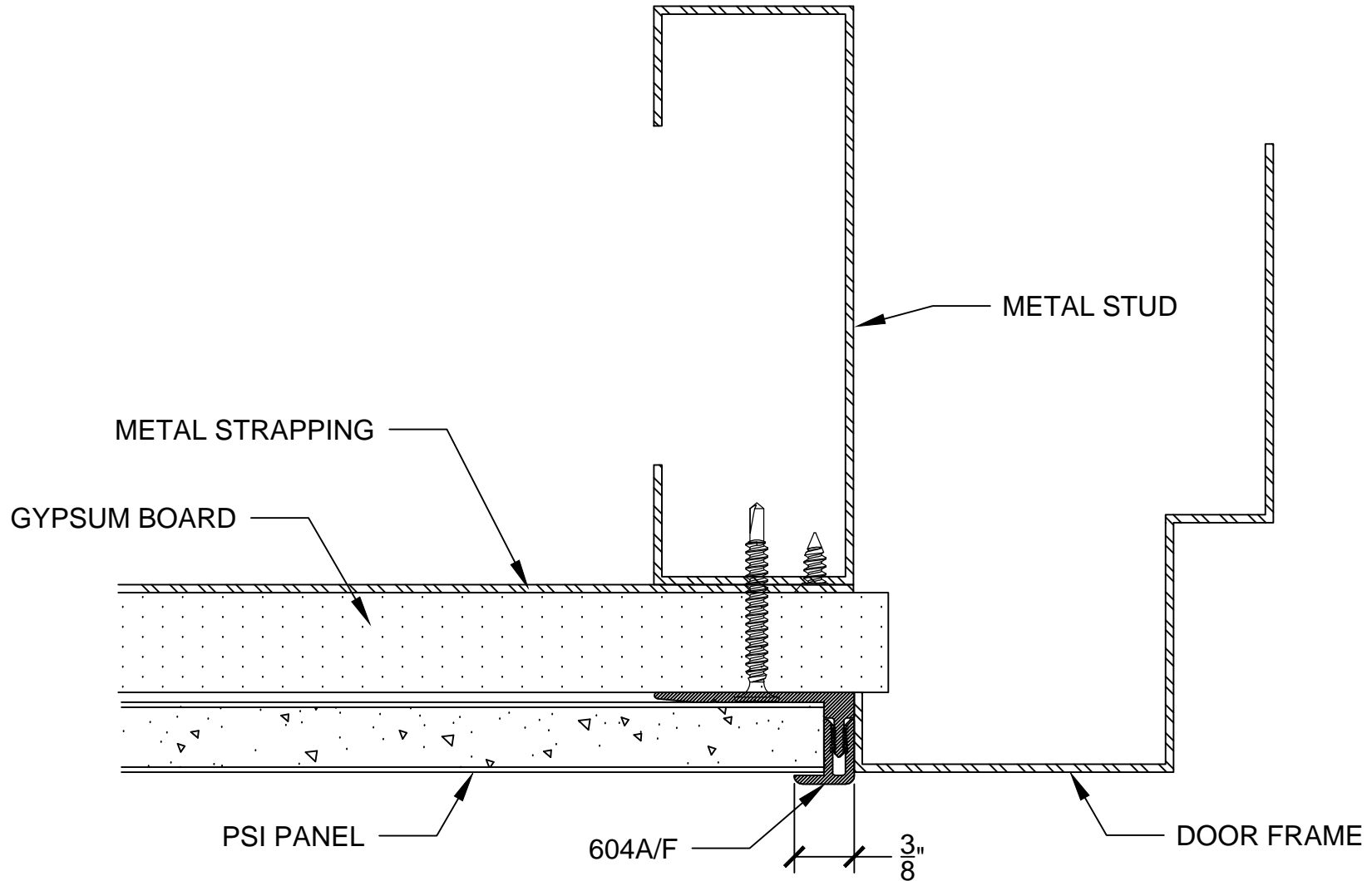
TOP VIEW

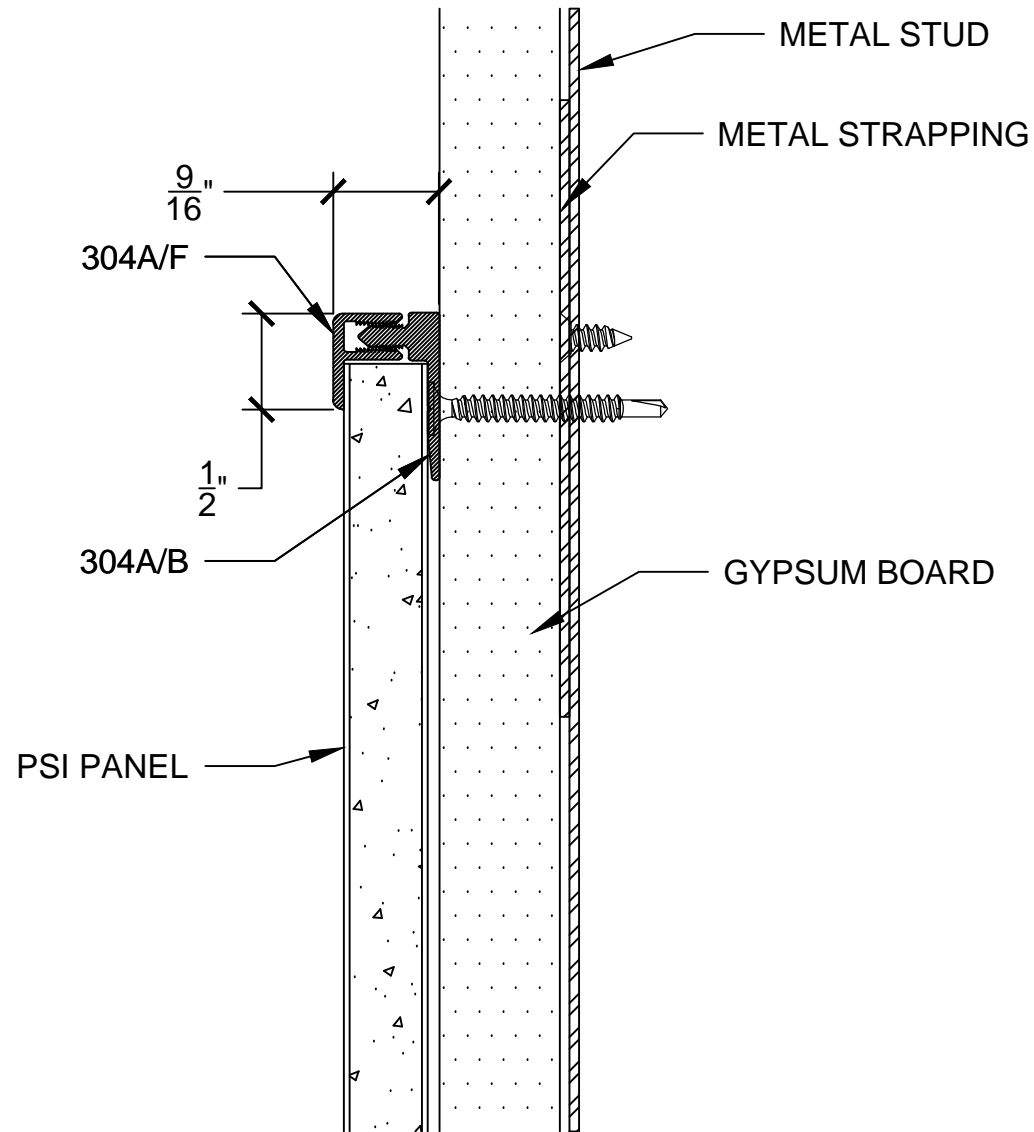


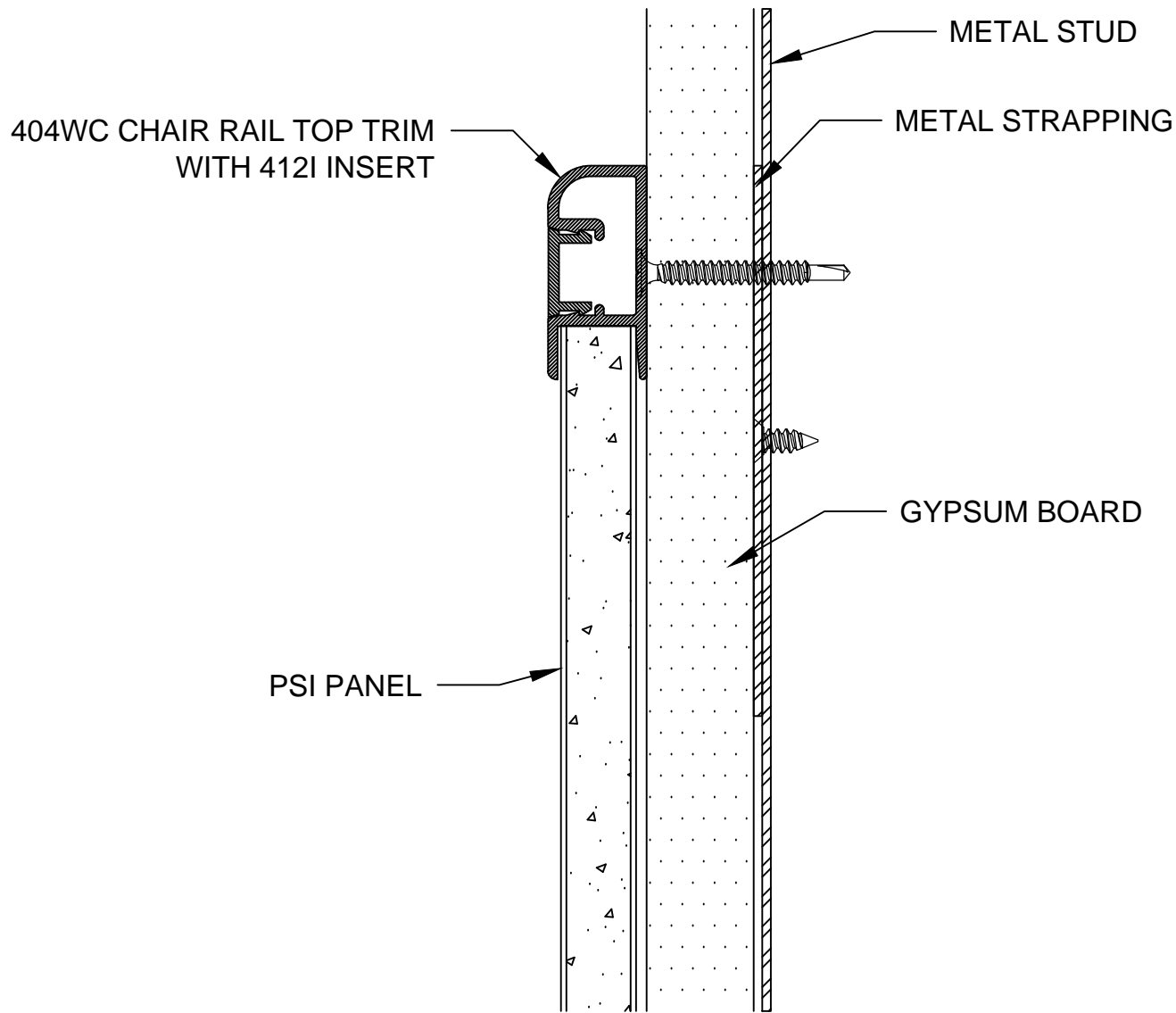


#604A VERTICAL EDGE TRIM

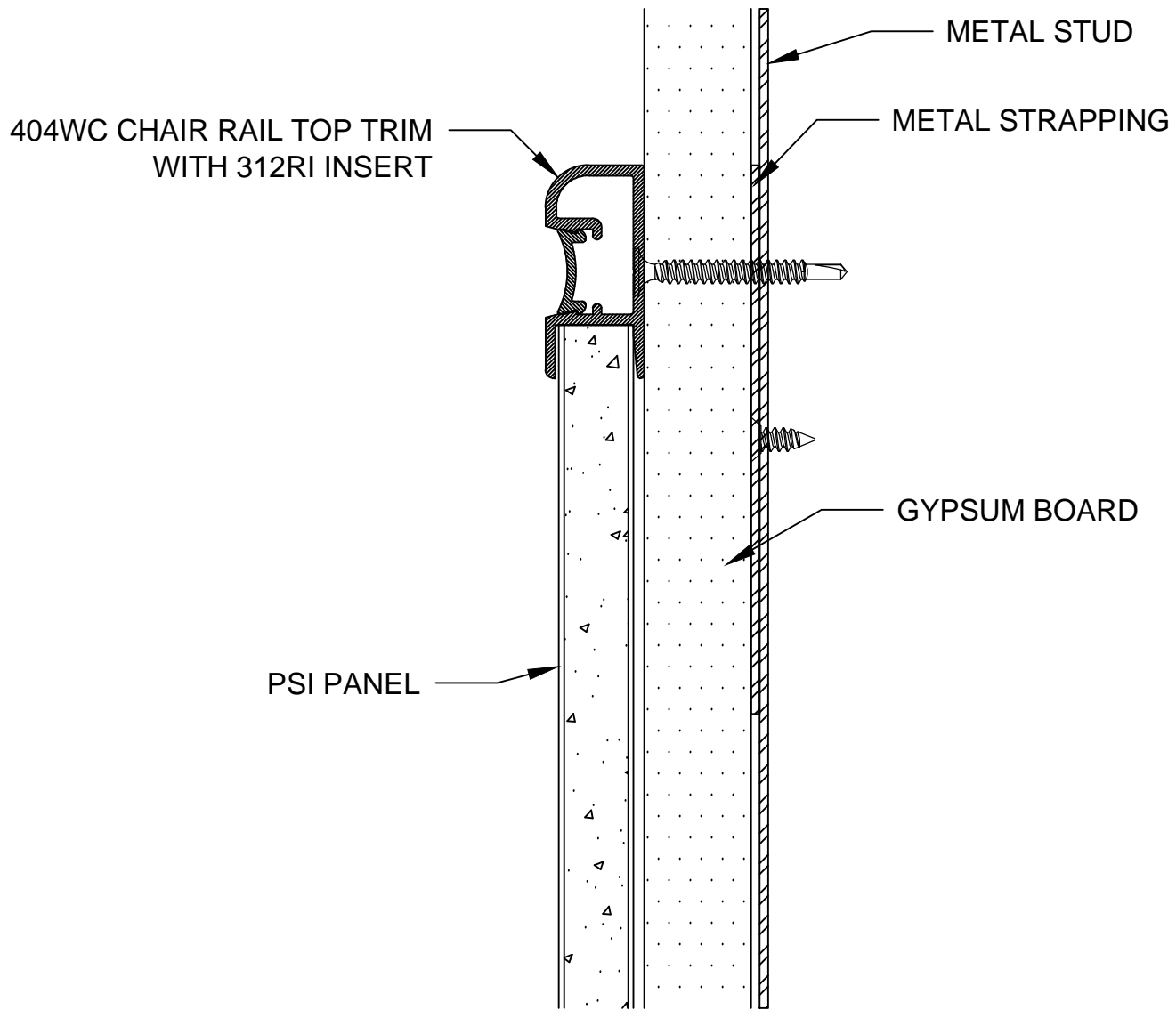
TOP VIEW

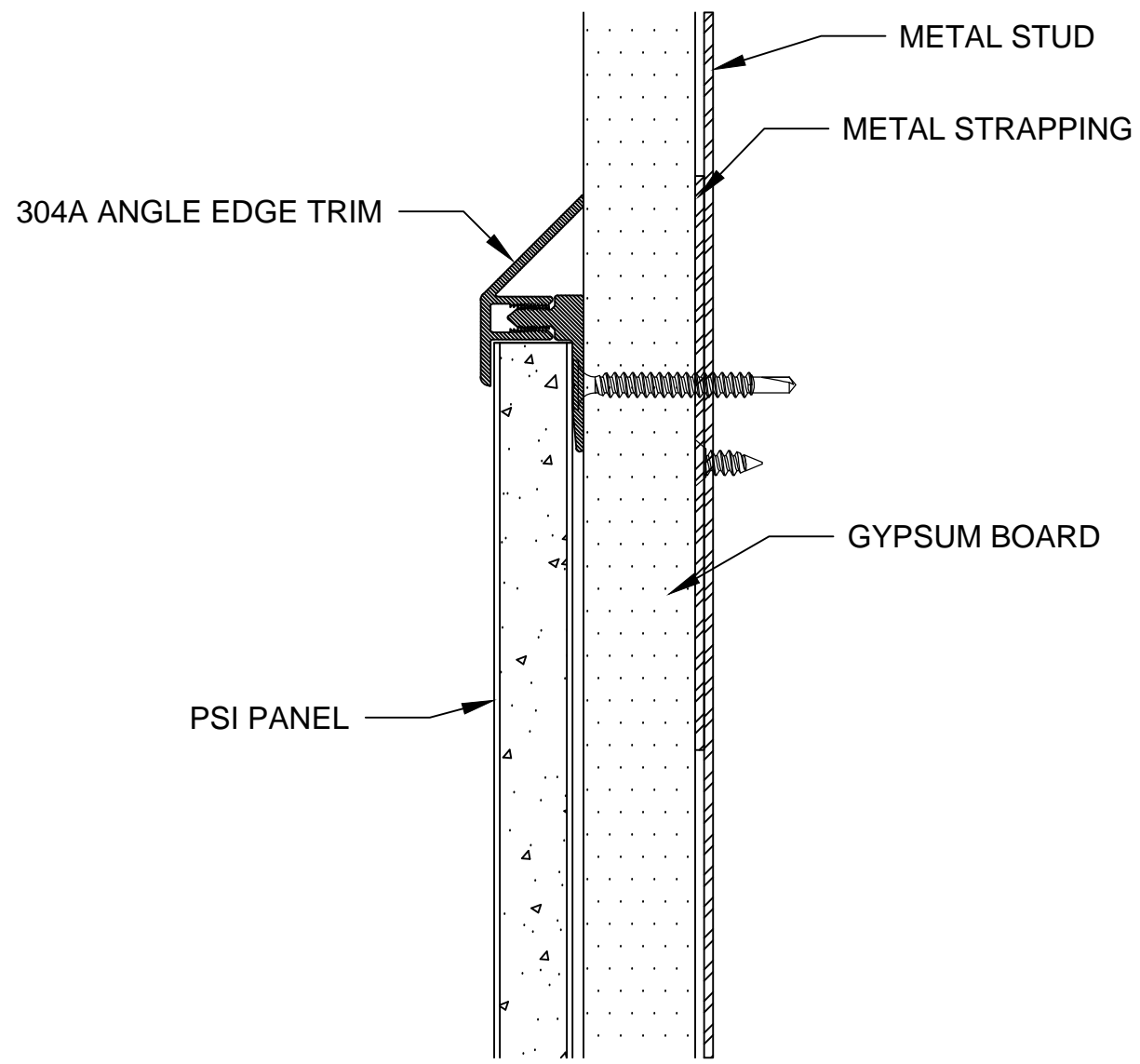






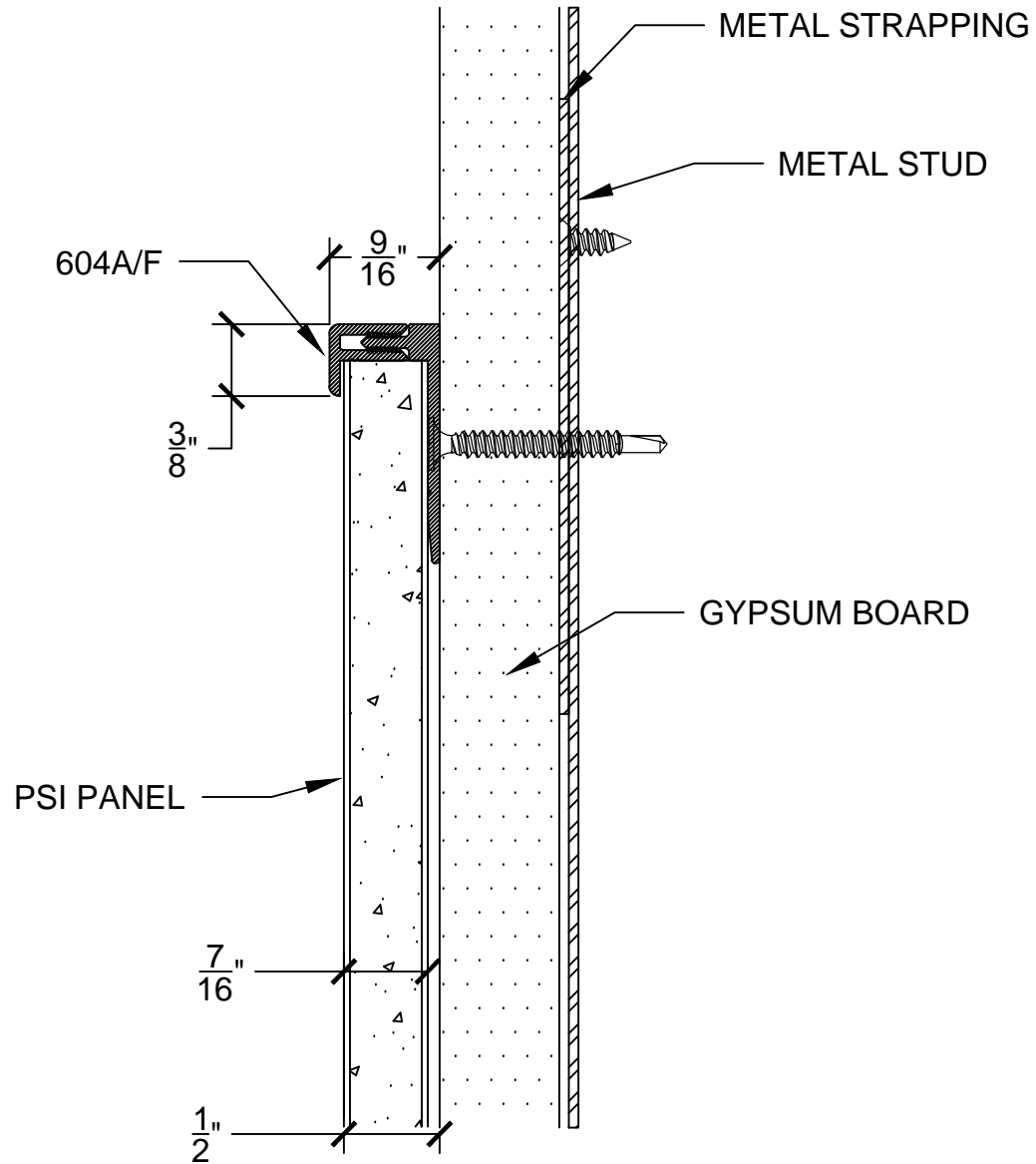






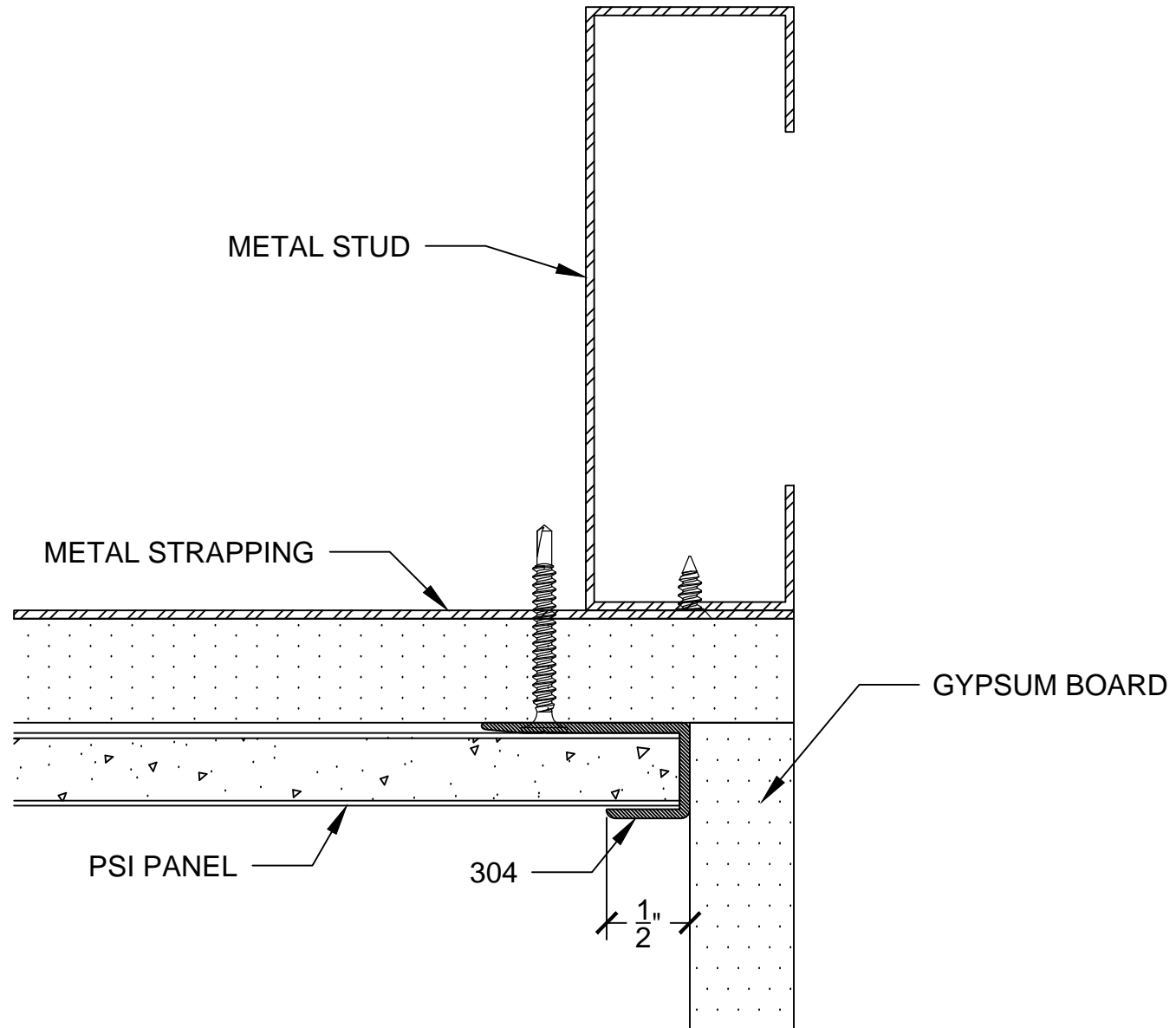
304A ANGLE EDGE TOP TRIM

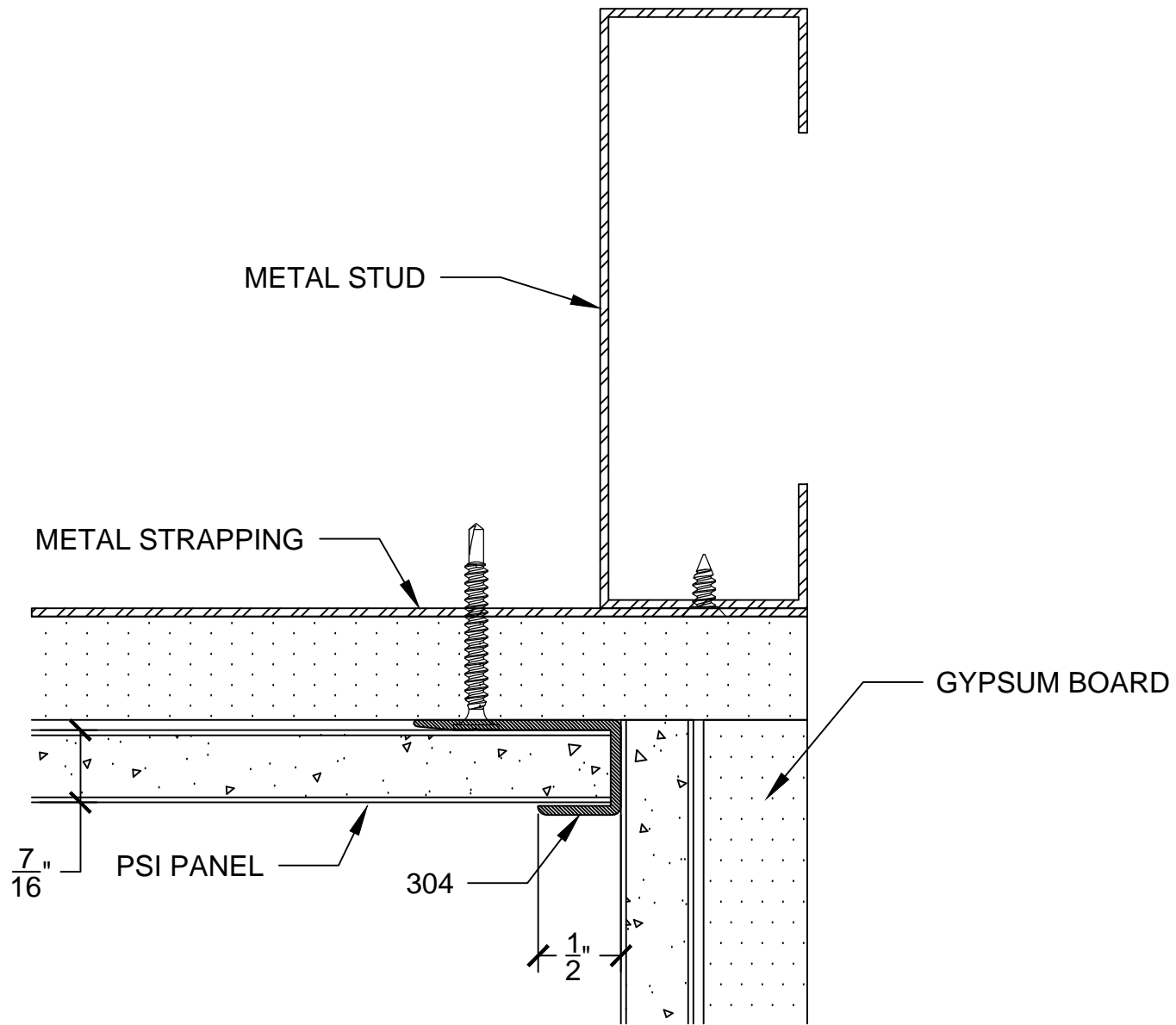
RIGHT SIDE VIEW

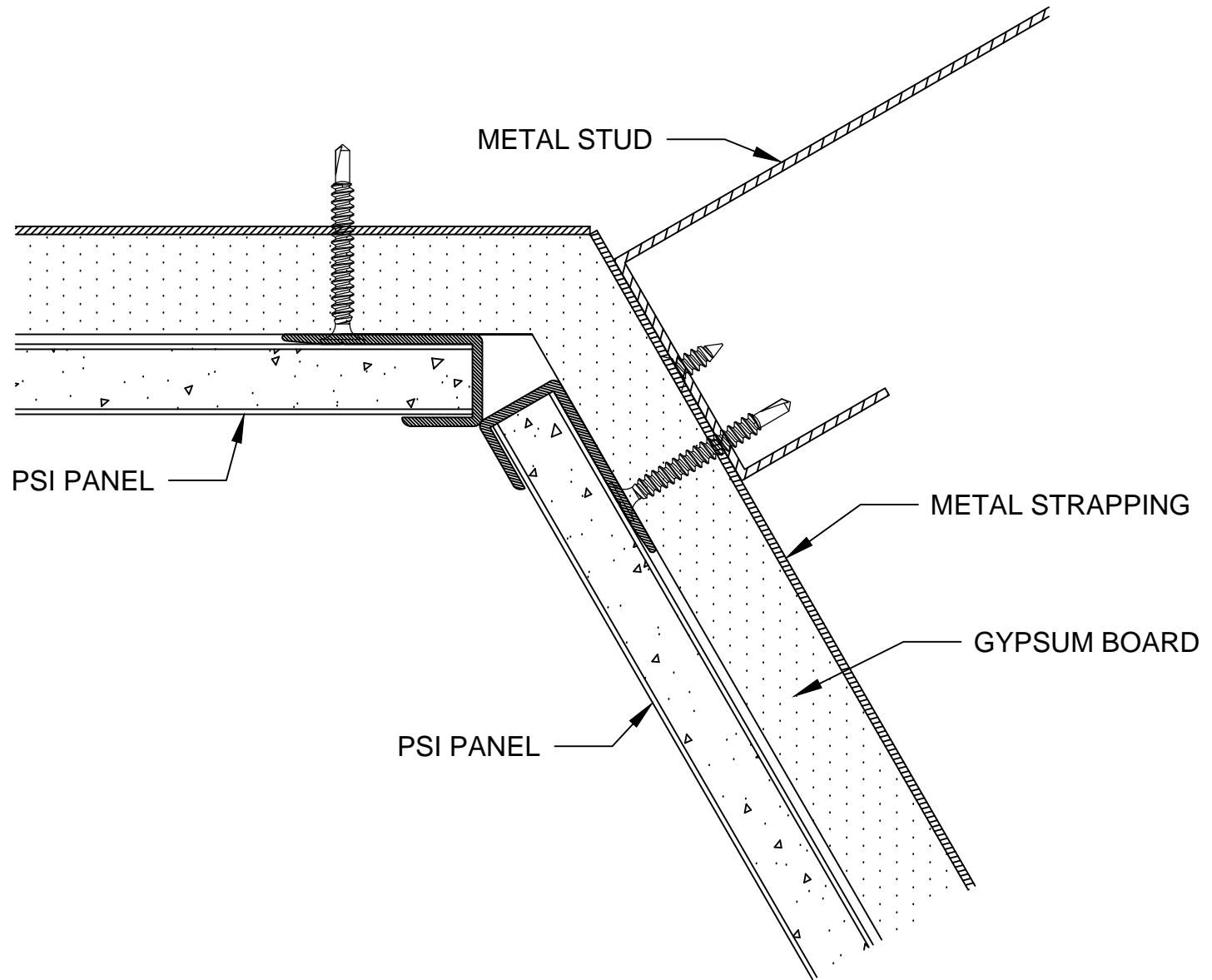


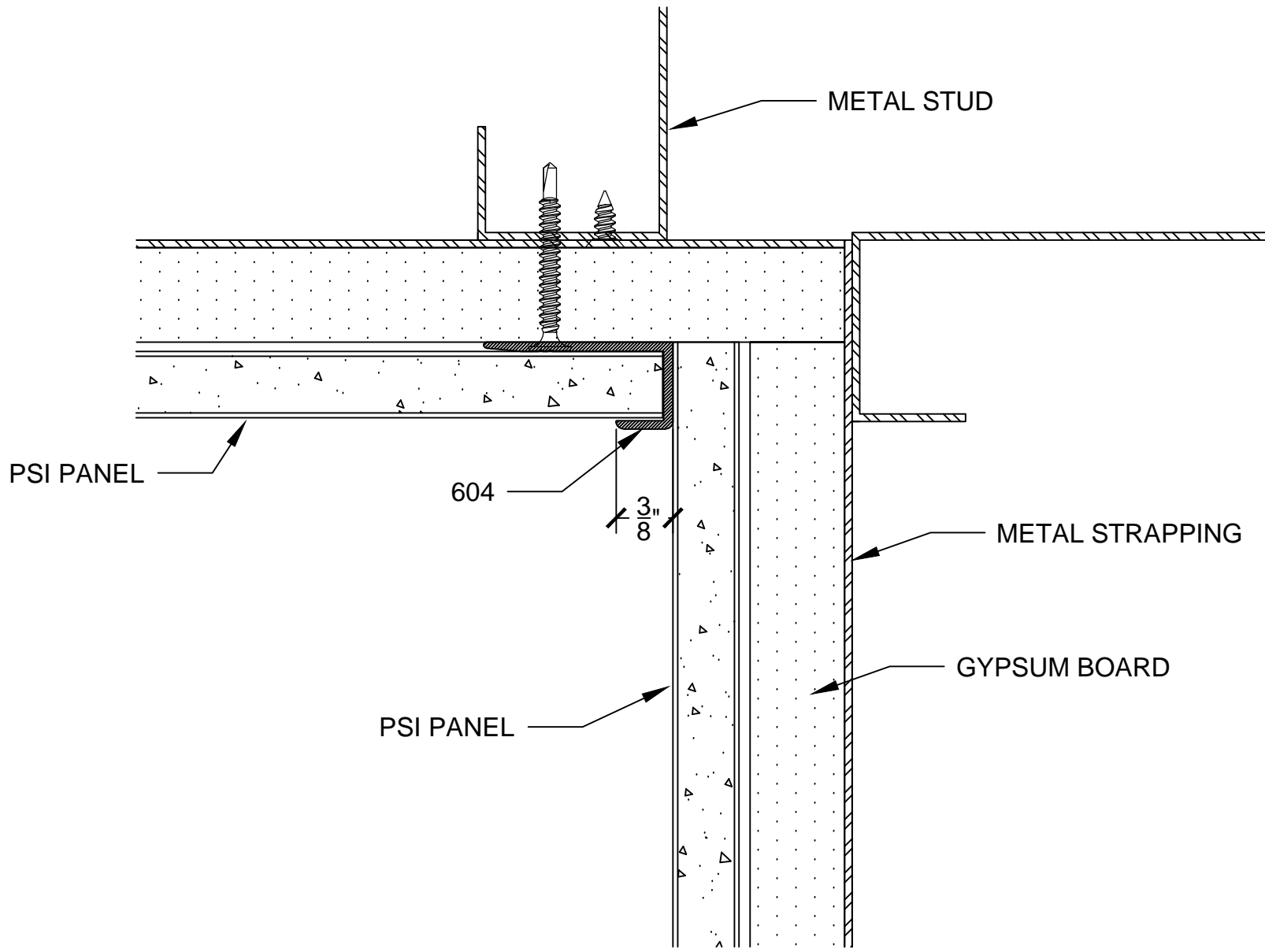
#604A TOP TRIM

RIGHT SIDE VIEW



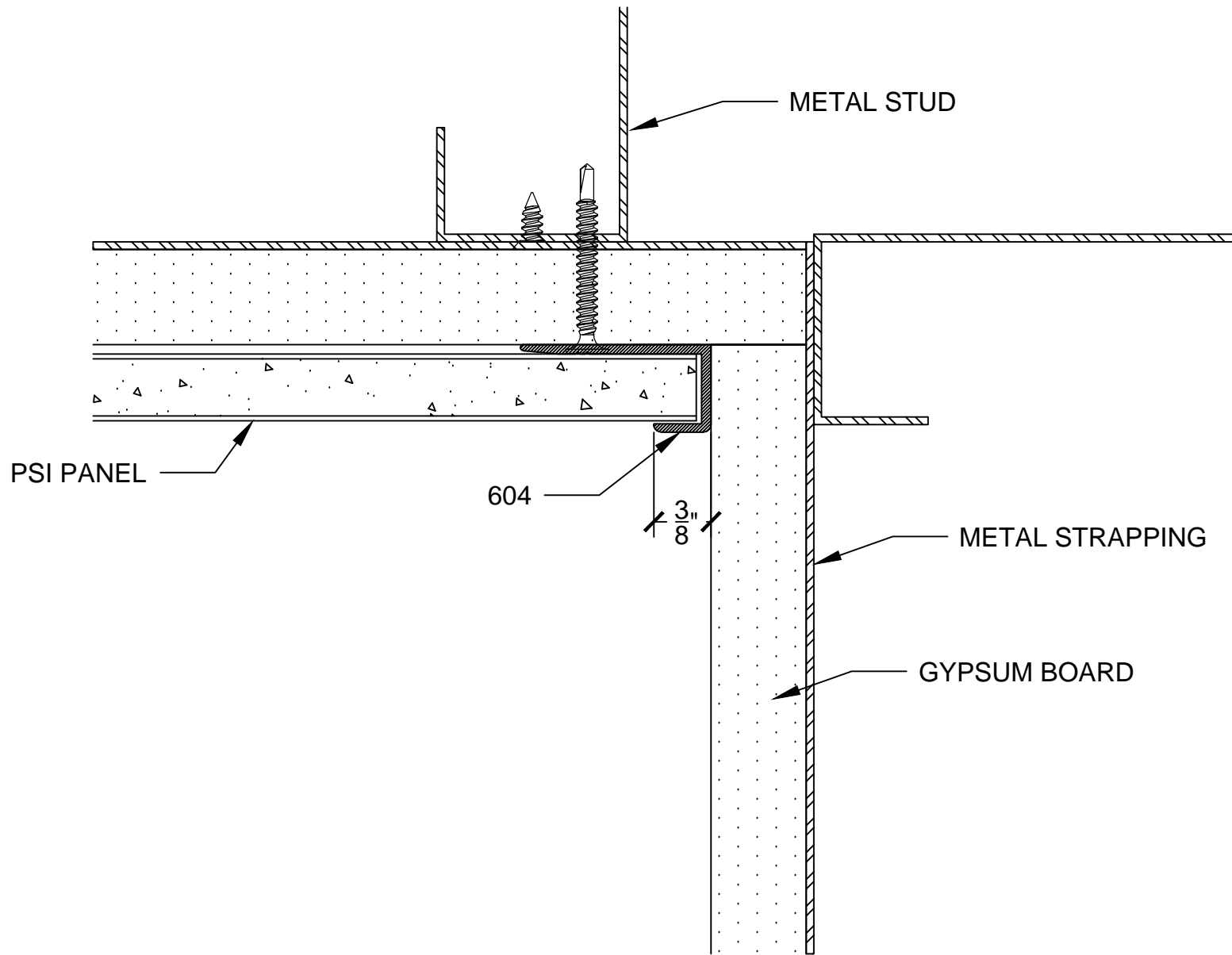






#604 INSIDE CORNER

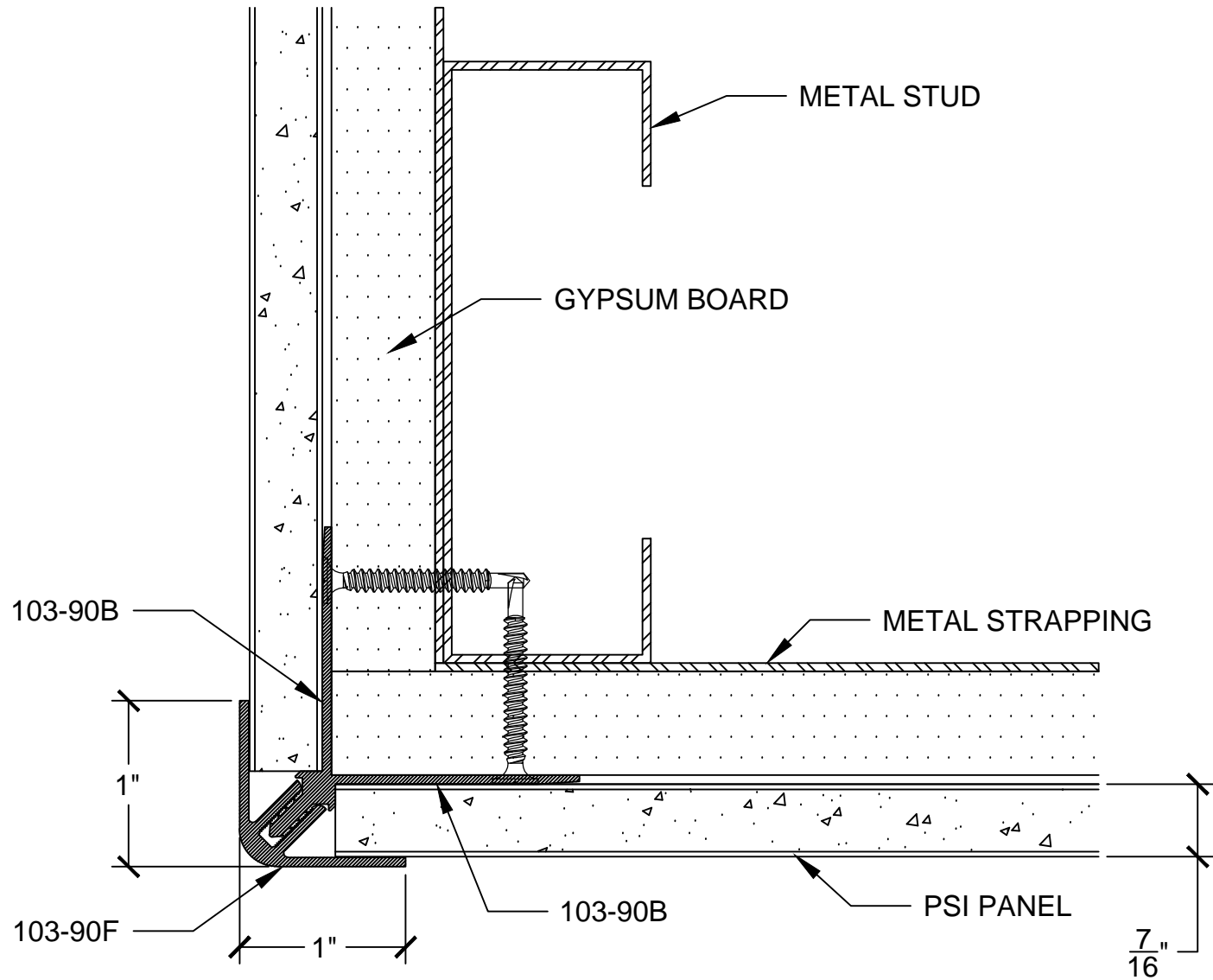
TOP VIEW



#604 INSIDE CORNER

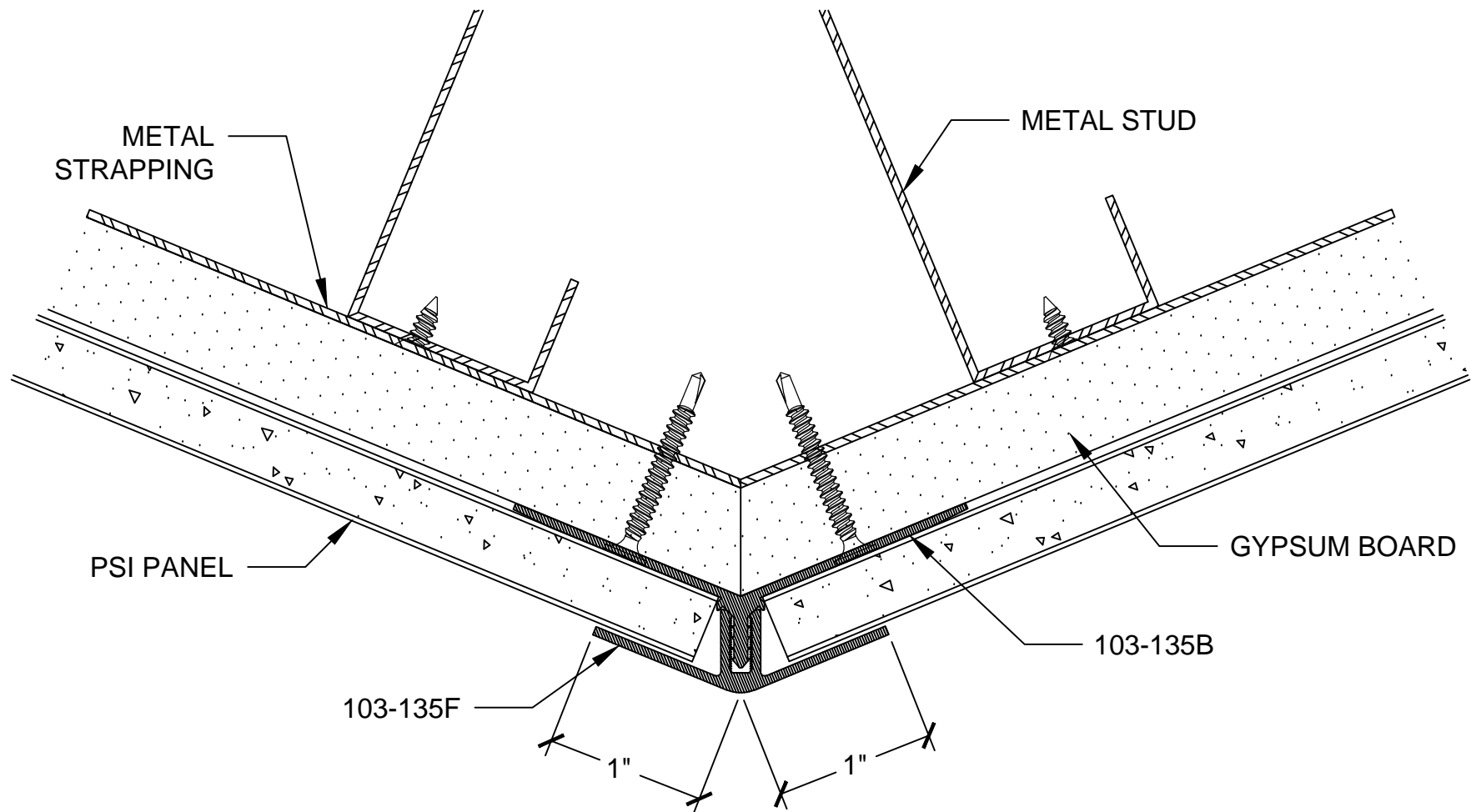
TOP VIEW

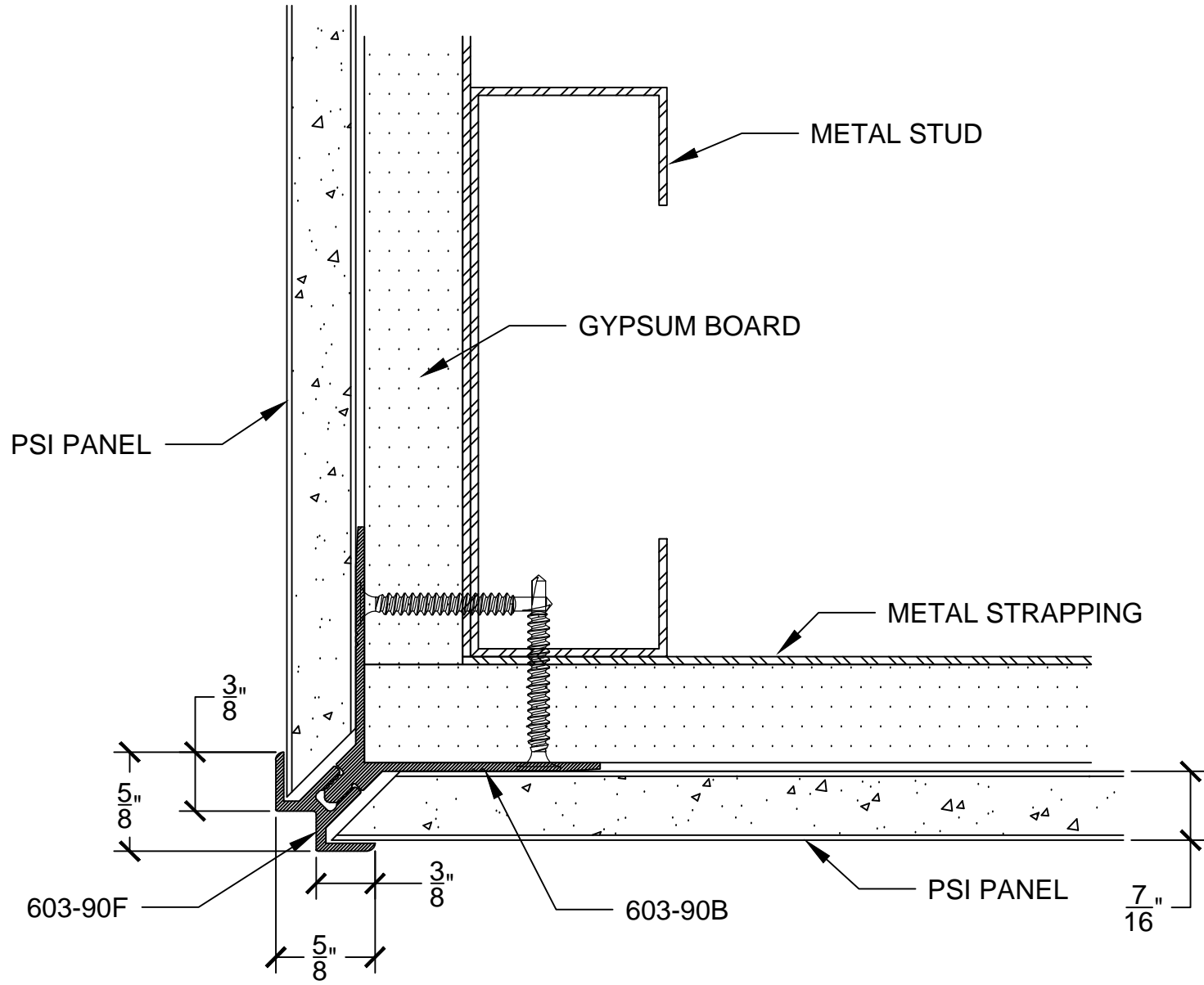


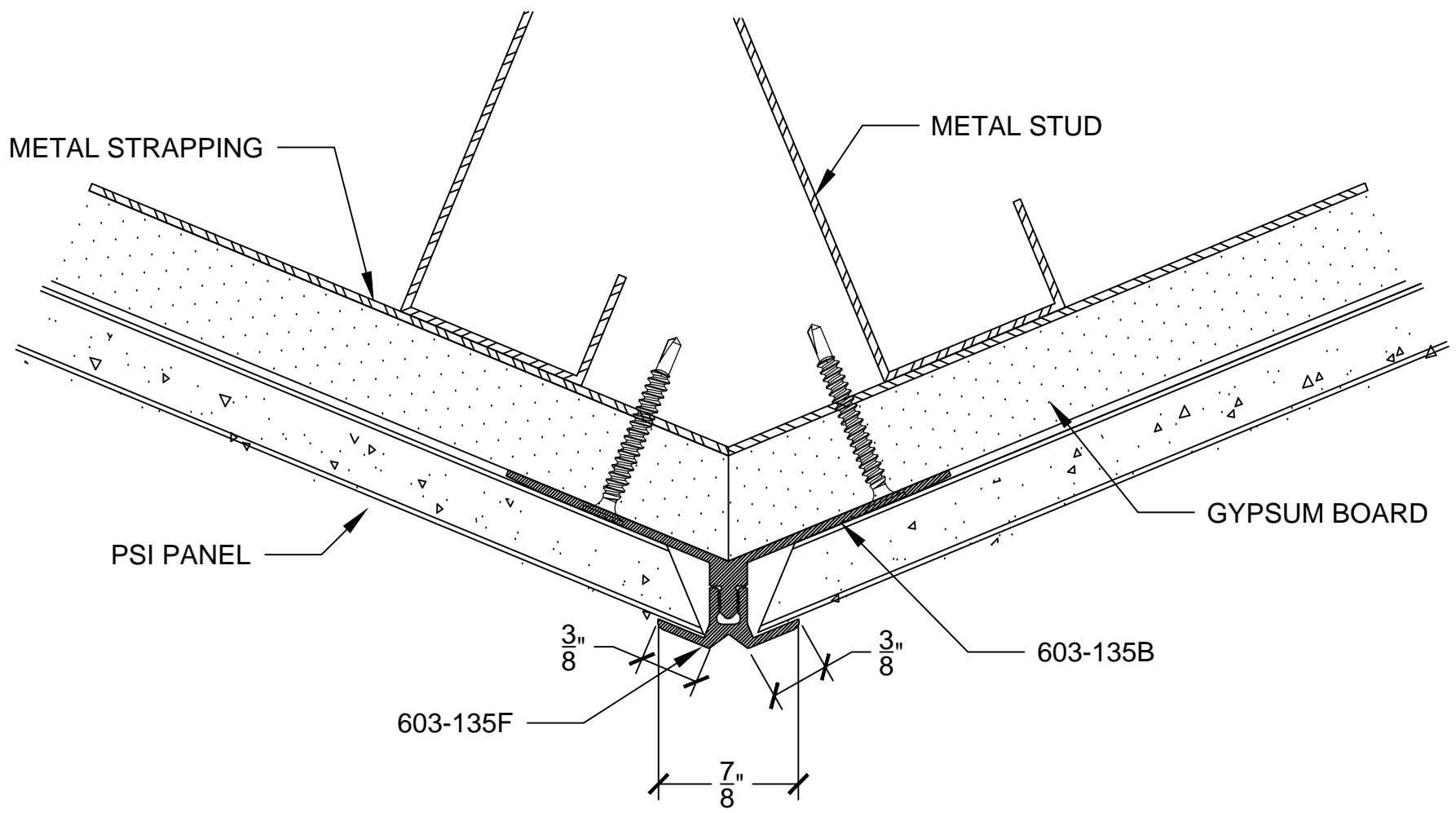


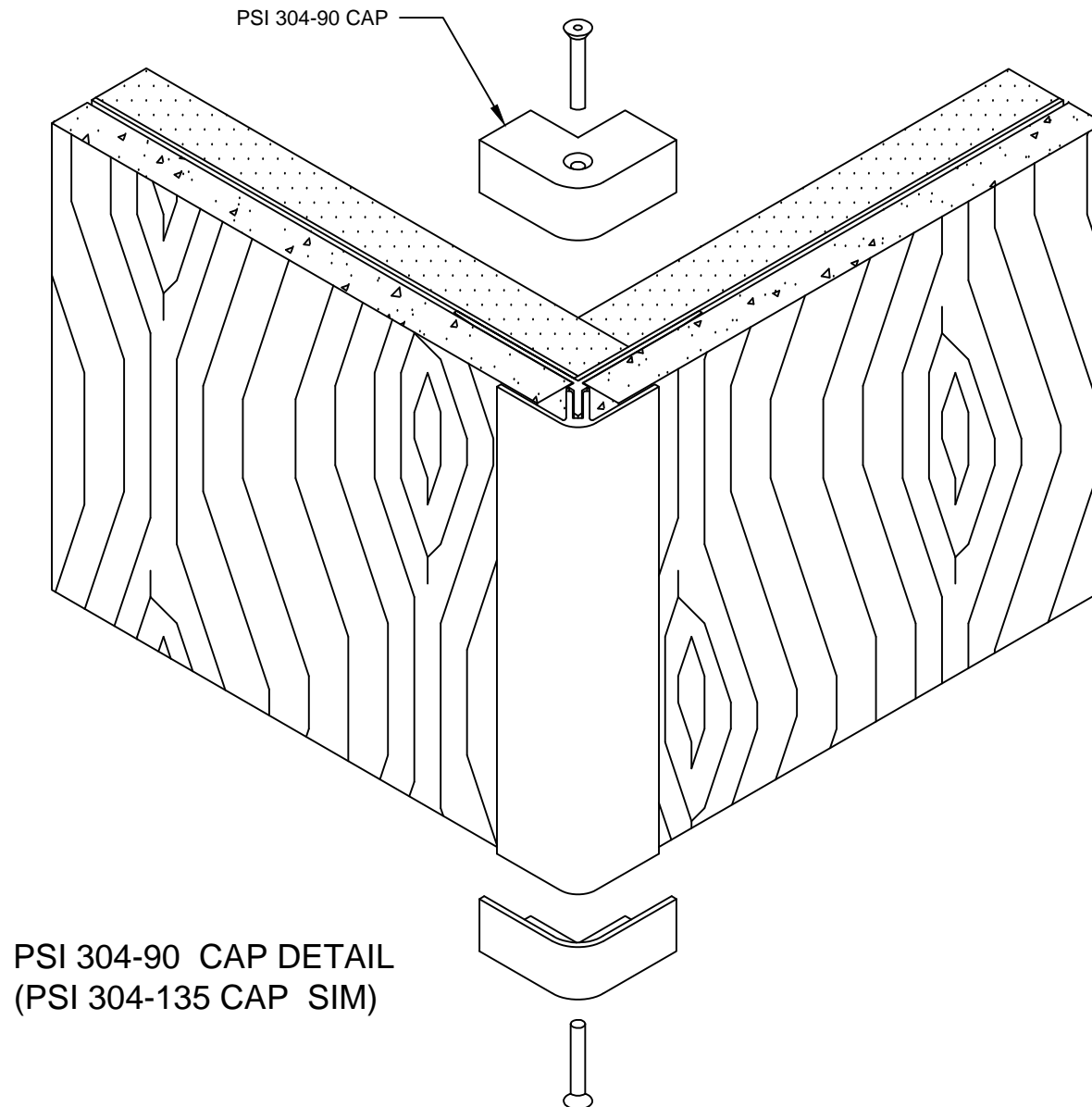
#103-90 OUTSIDE CORNER

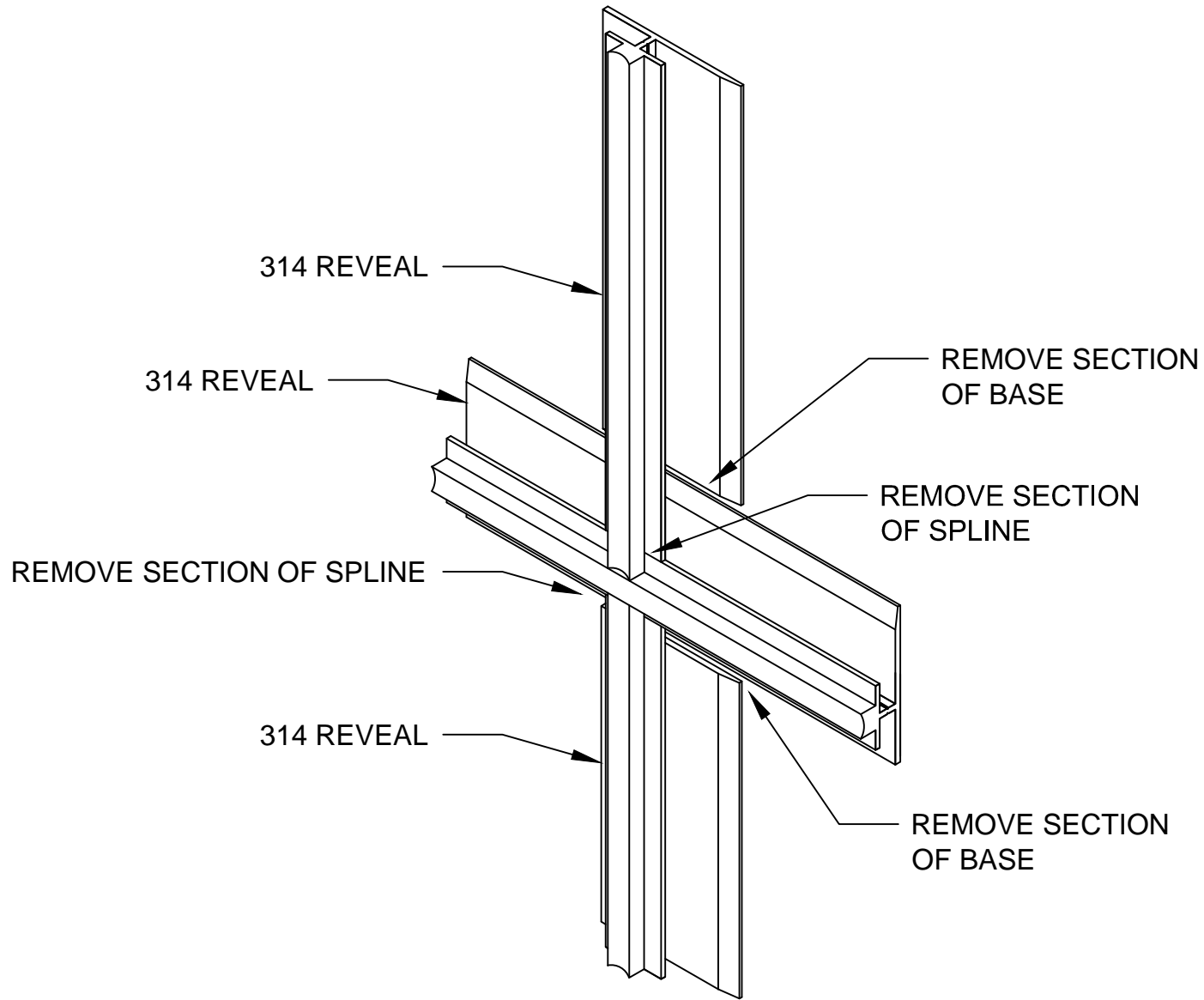
TOP VIEW







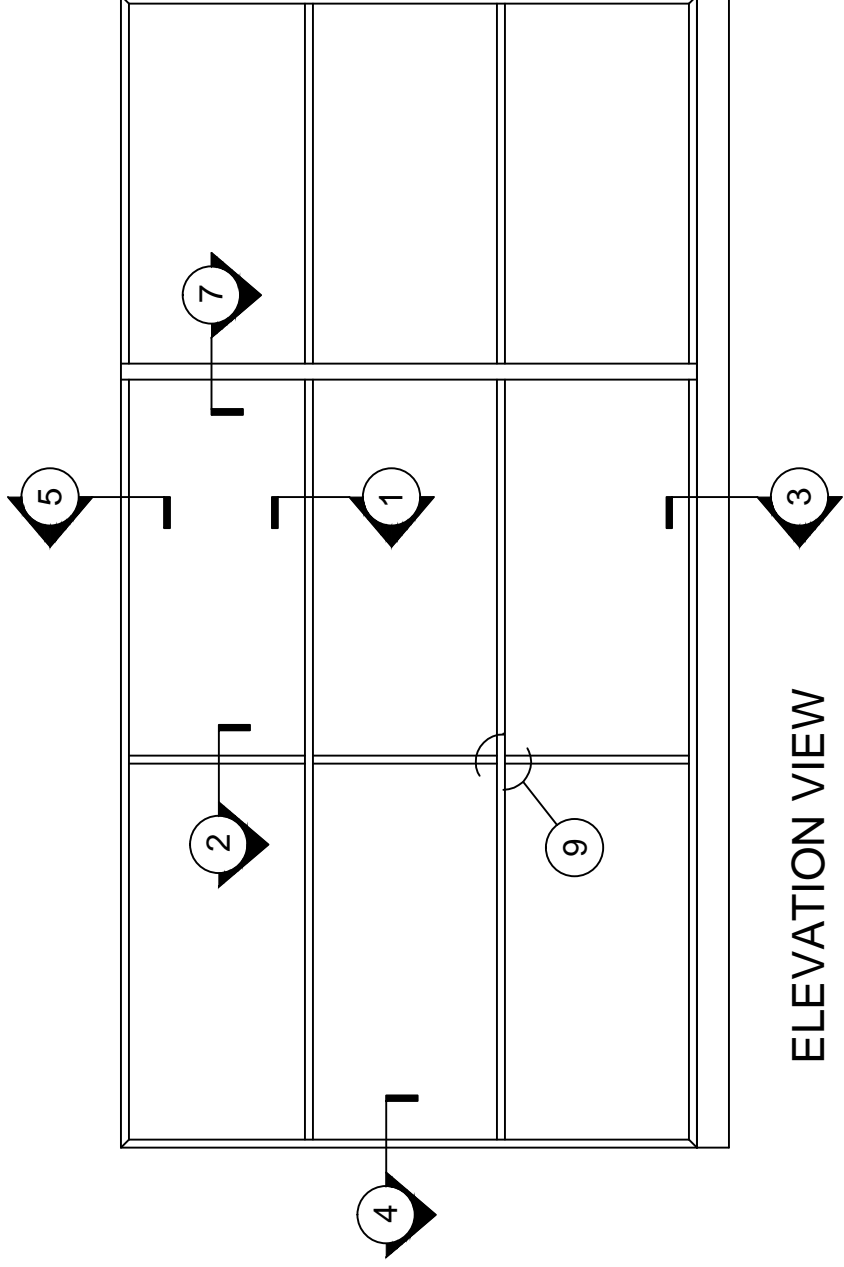




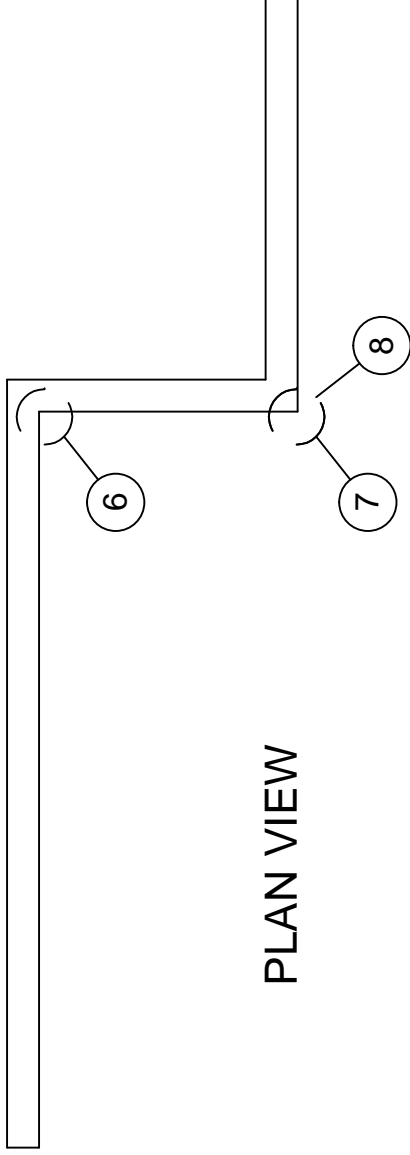
#314 REVEAL INTERSECTION DETAIL

ISOMETRIC VIEW

PANEL SPECIALISTS INC.  
WALL PANEL SYSTEM 314



ELEVATION VIEW



PLAN VIEW