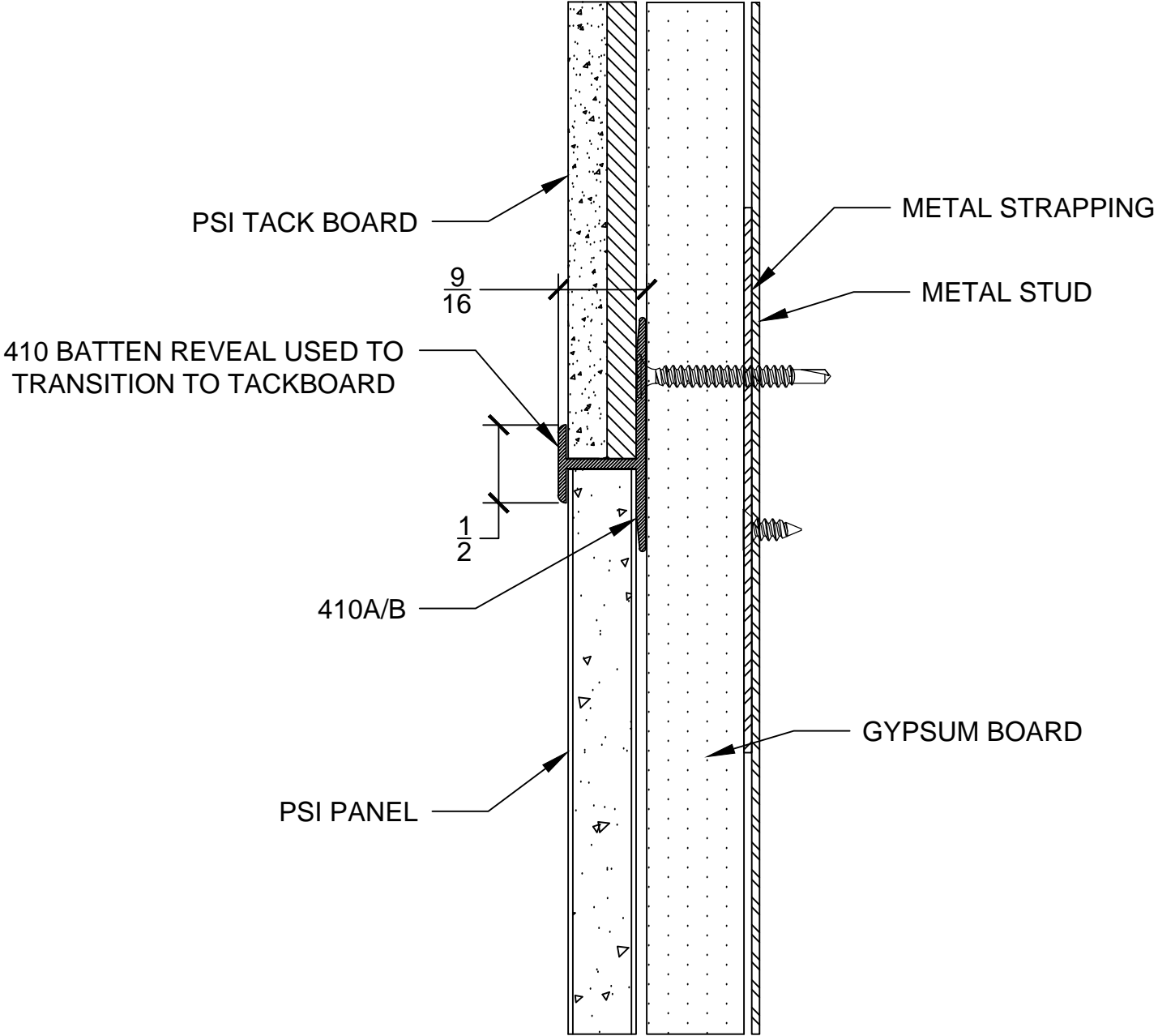


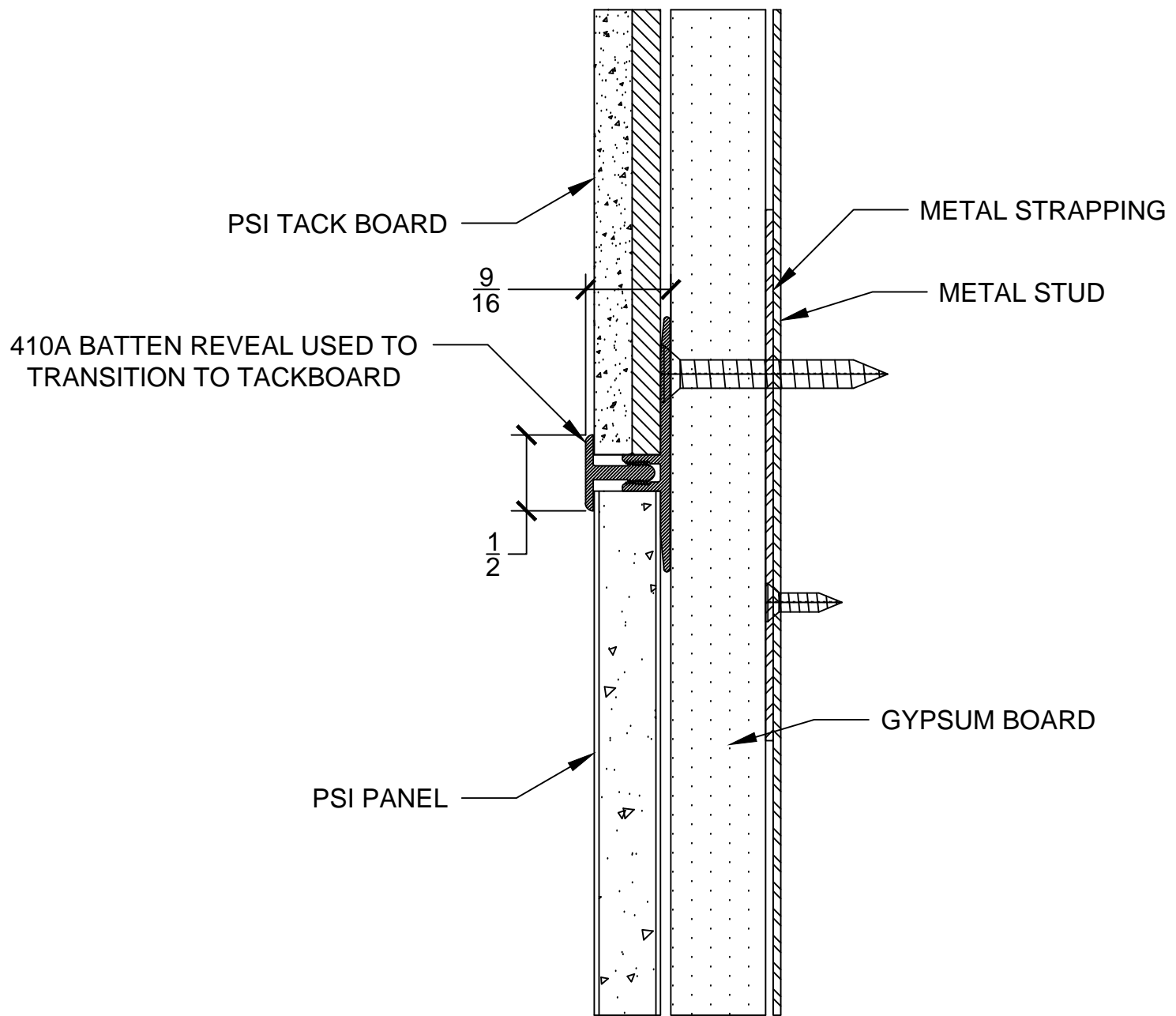
#302 HORIZONTAL REVEAL / DIVIDER

RIGHT SIDE VIEW



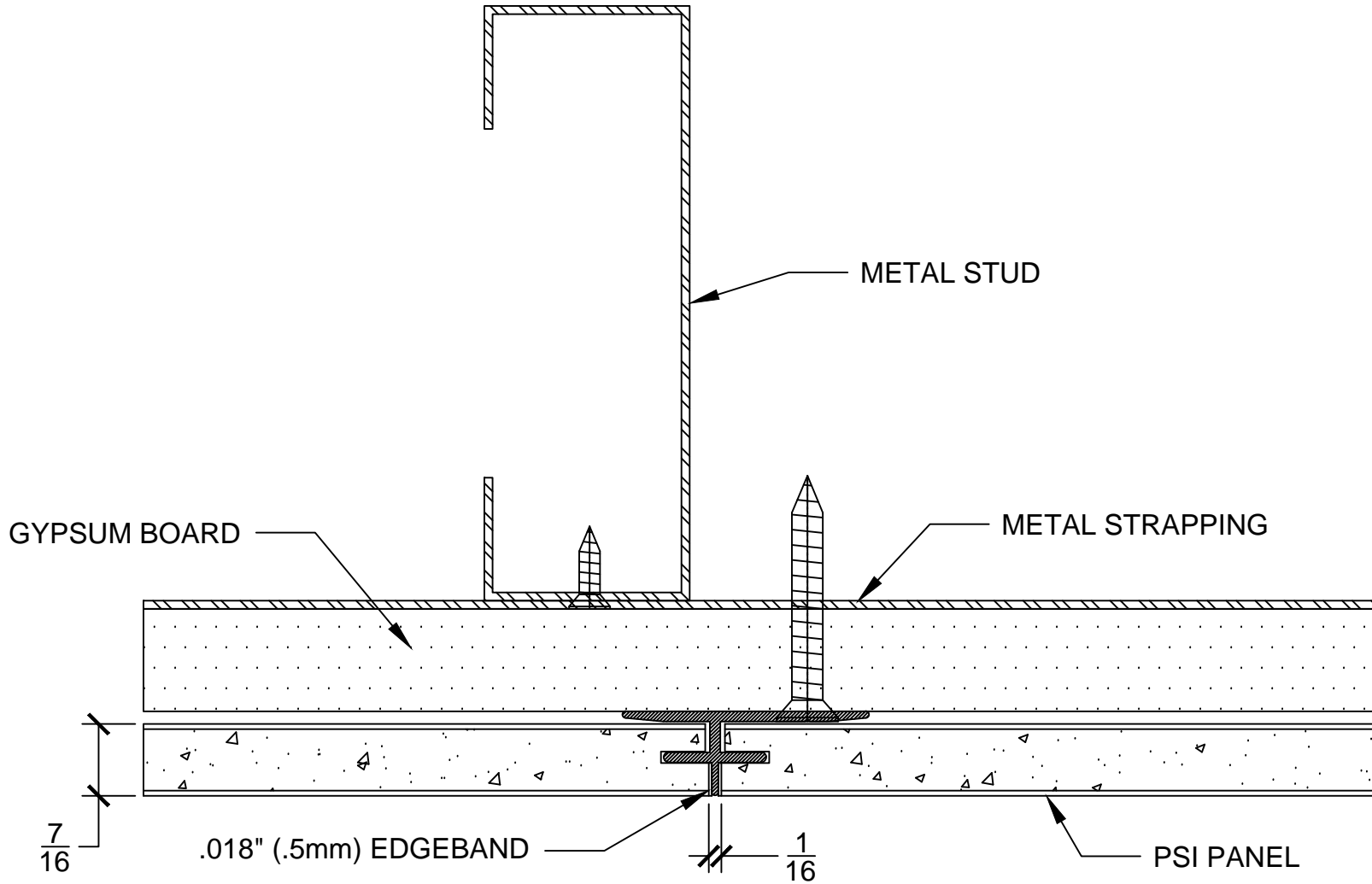
#410 HORIZONTAL BATTEN / DIVIDER

RIGHT SIDE VIEW



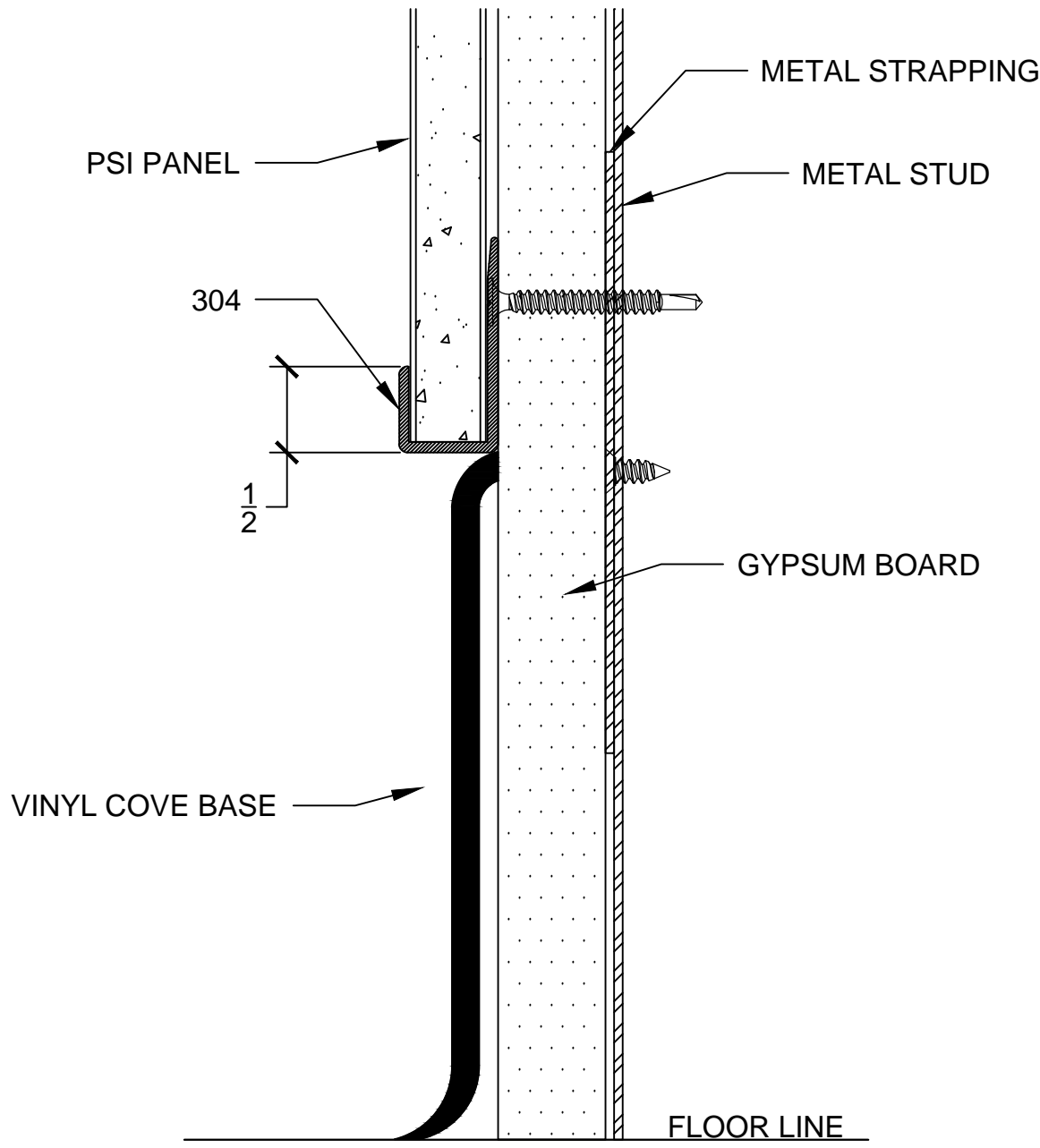
#412H HORIZONTAL BATTEN DIVIDER

ISOMETRIC VIEW



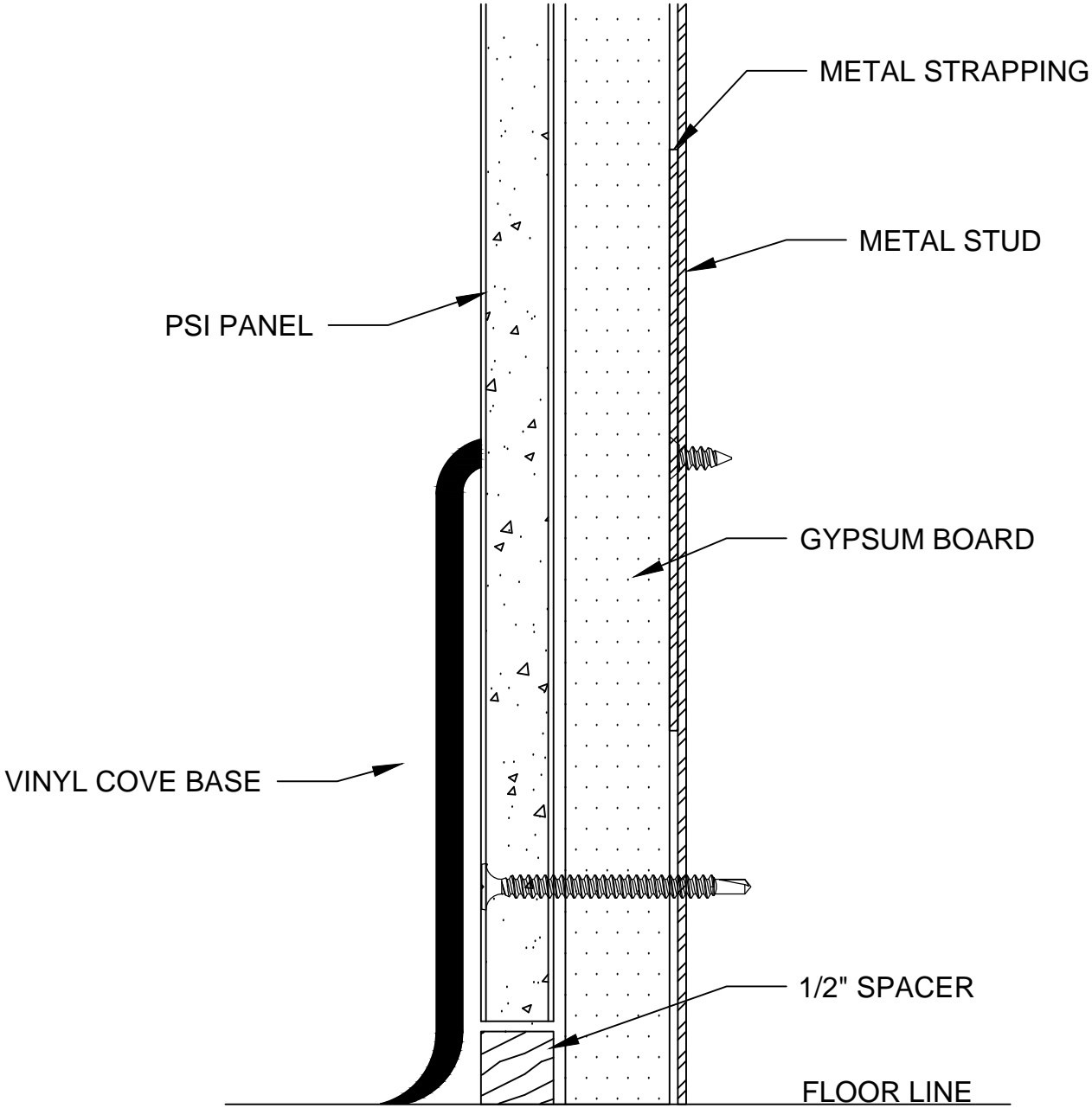
#302A VERTICAL REVEAL / DIVIDER

TOP VIEW



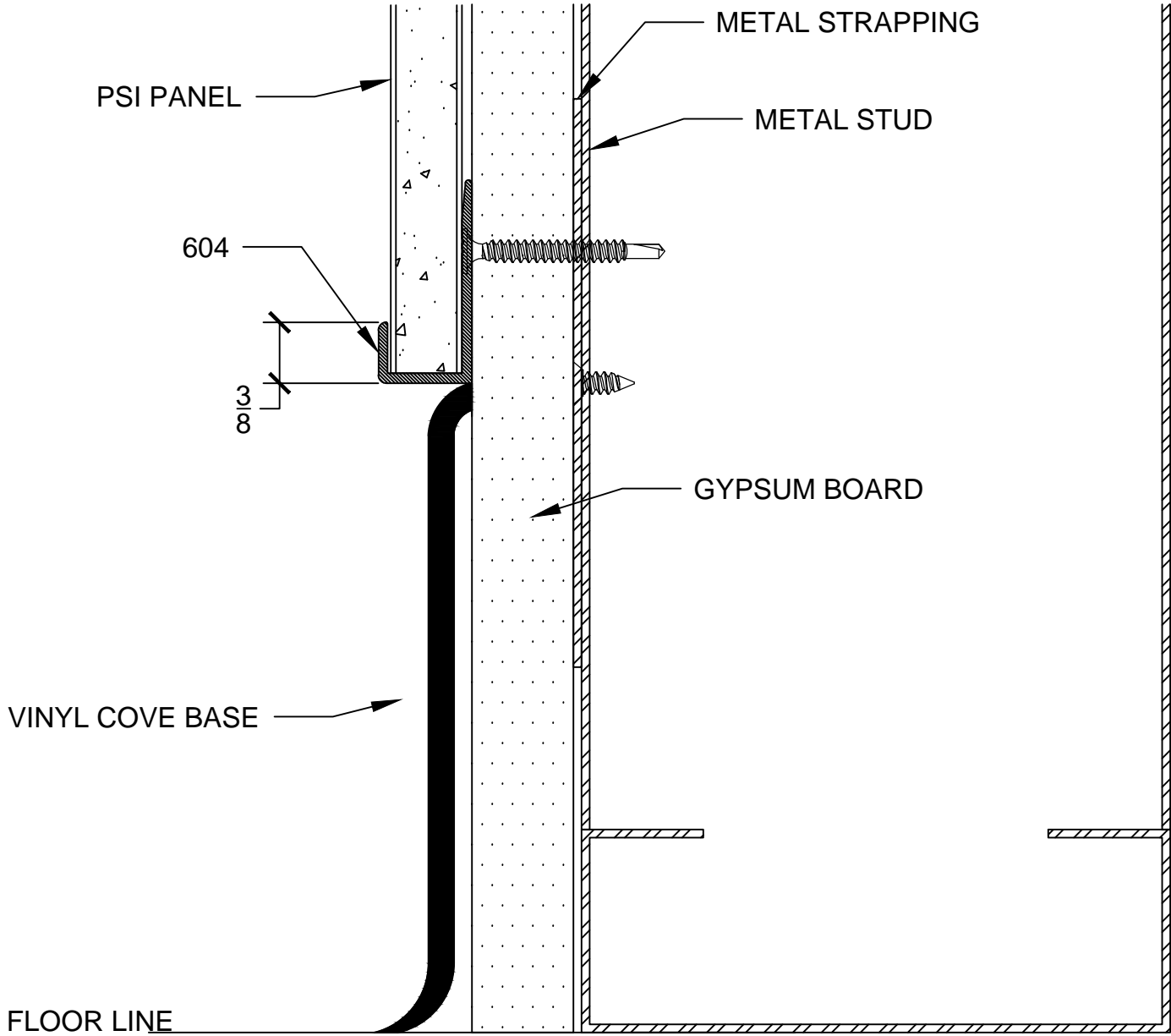
#304 HORIZONTAL TRIM - ABOVE BASE

RIGHT SIDE VIEW



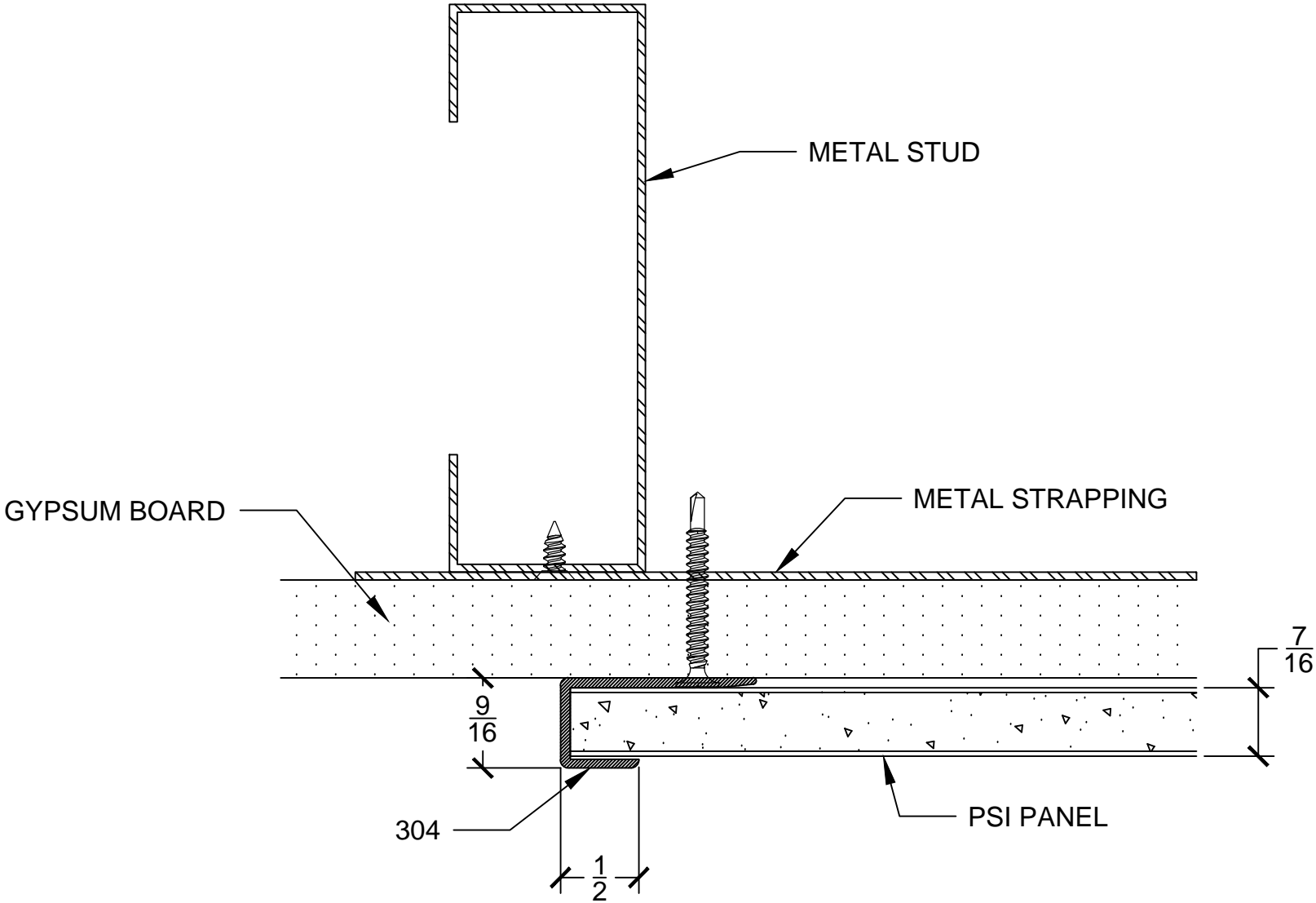
ALTERNATE - BEHIND BASE

RIGHT SIDE VIEW



#604 HORIZONTAL TRIM - ABOVE BASE

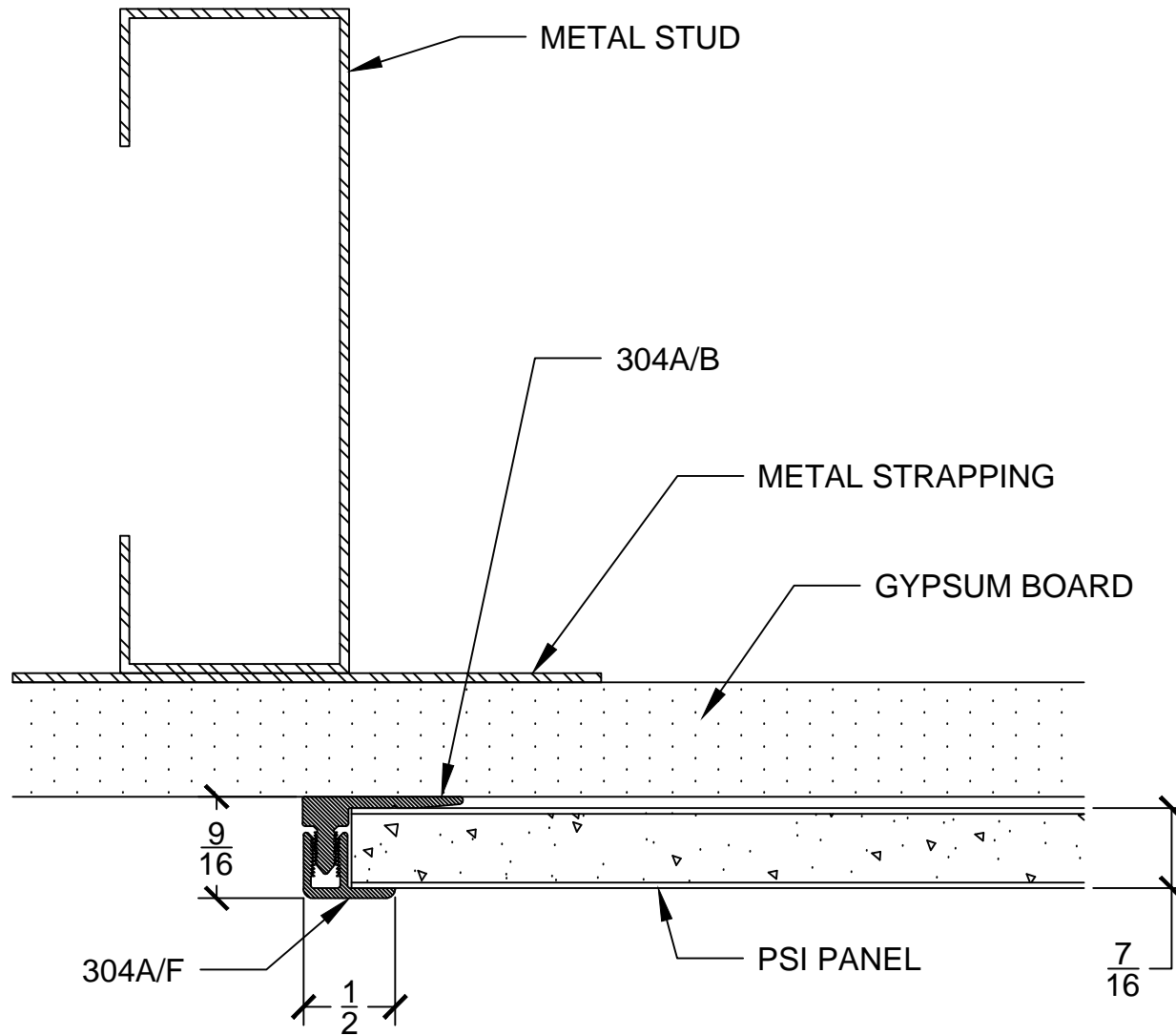
RIGHT SIDE VIEW



#304 VERTICAL EDGE TRIM

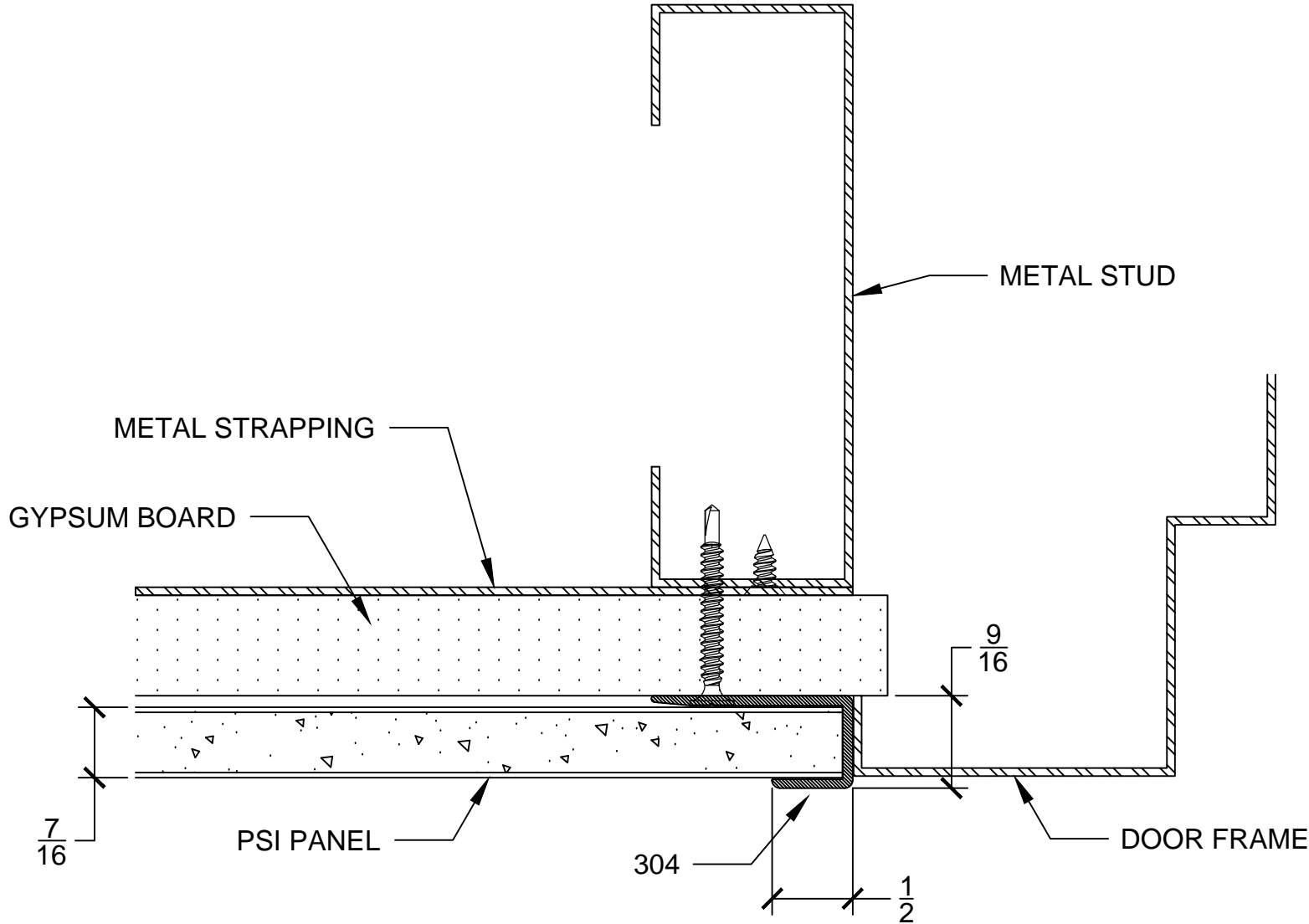
TOP VIEW





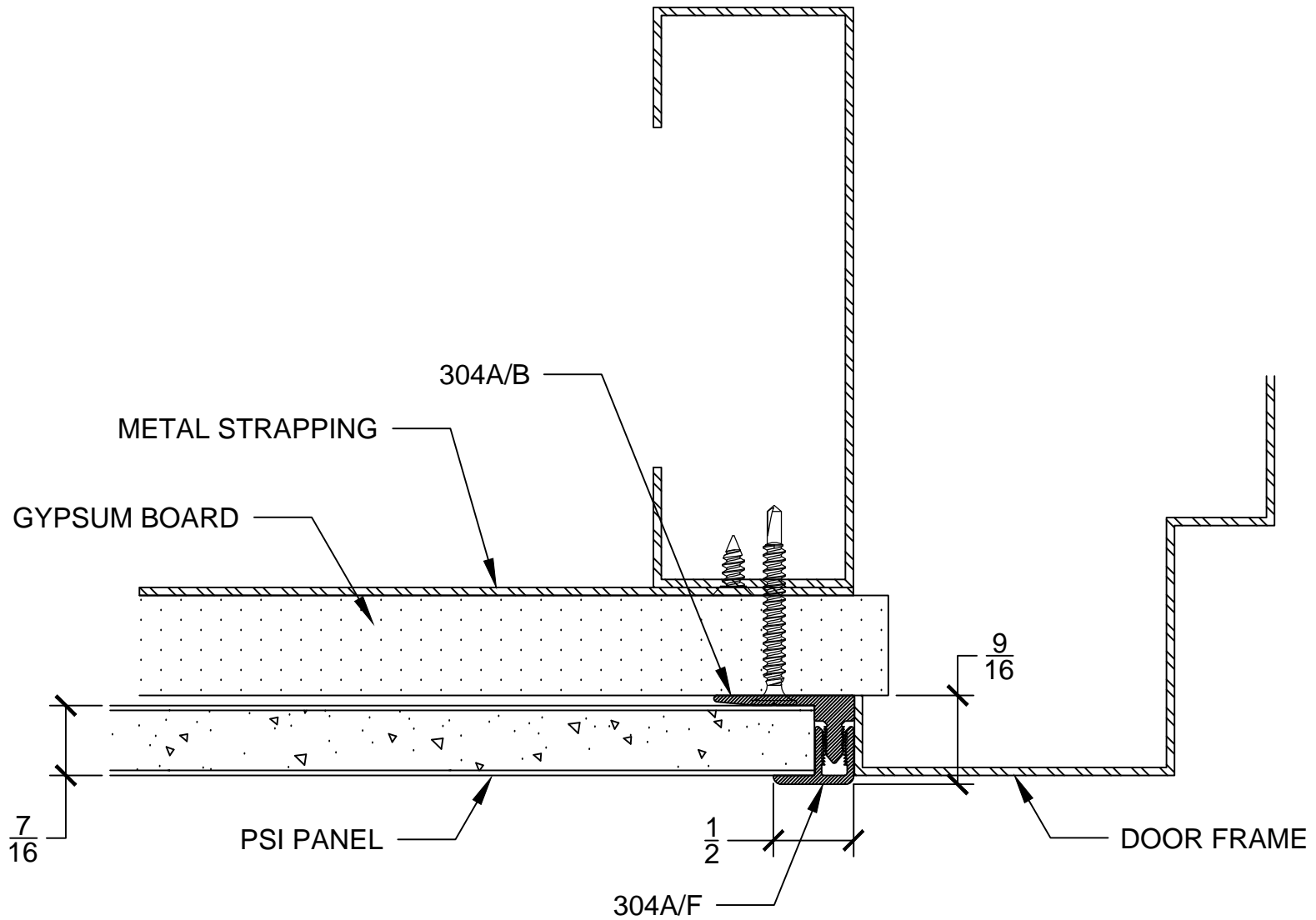
#304A VERTICAL EDGE TRIM

TOP VIEW



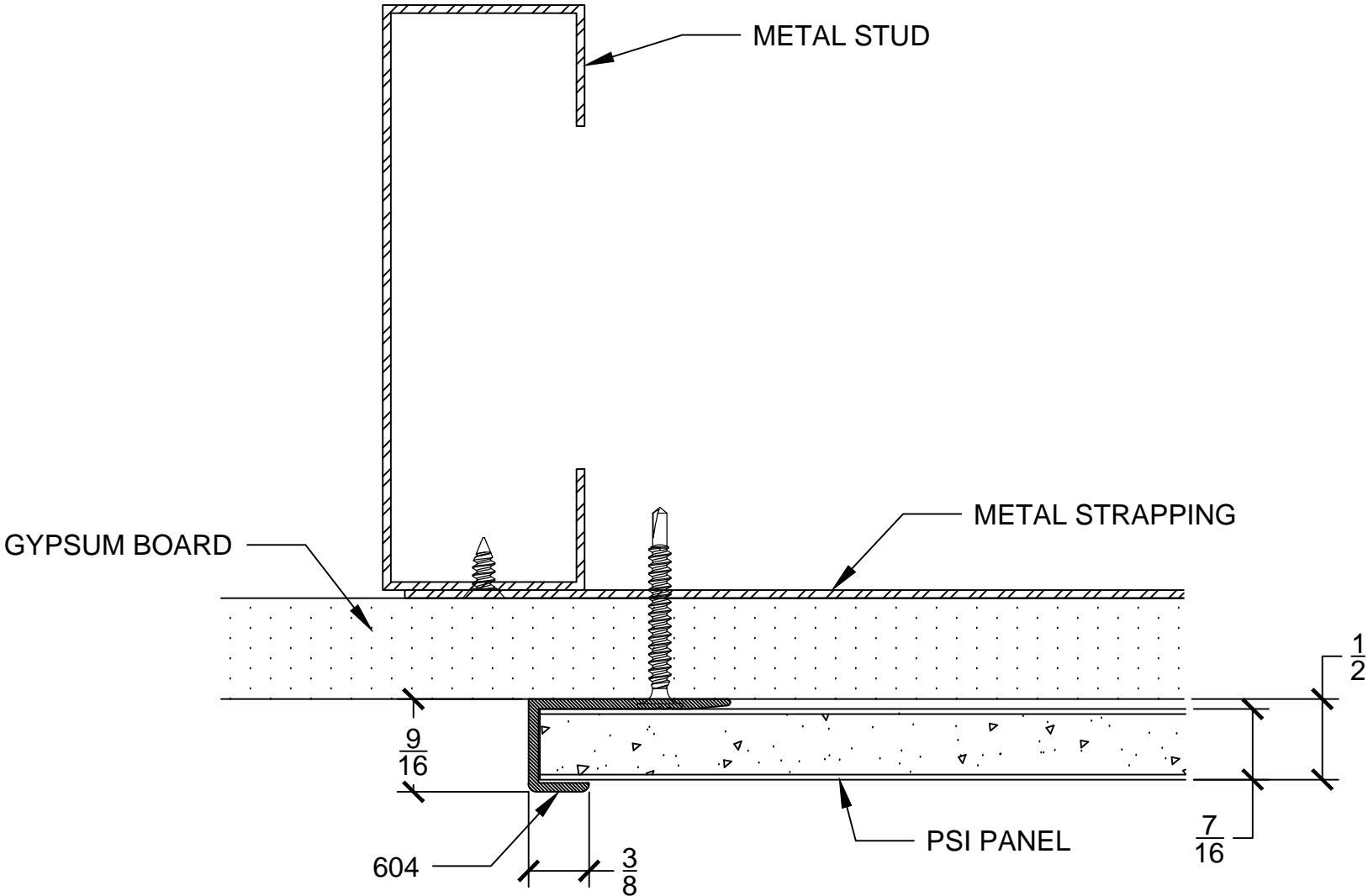
#304 EDGE TRIM @ DOOR OR WINDOW FRAME

TOP VIEW



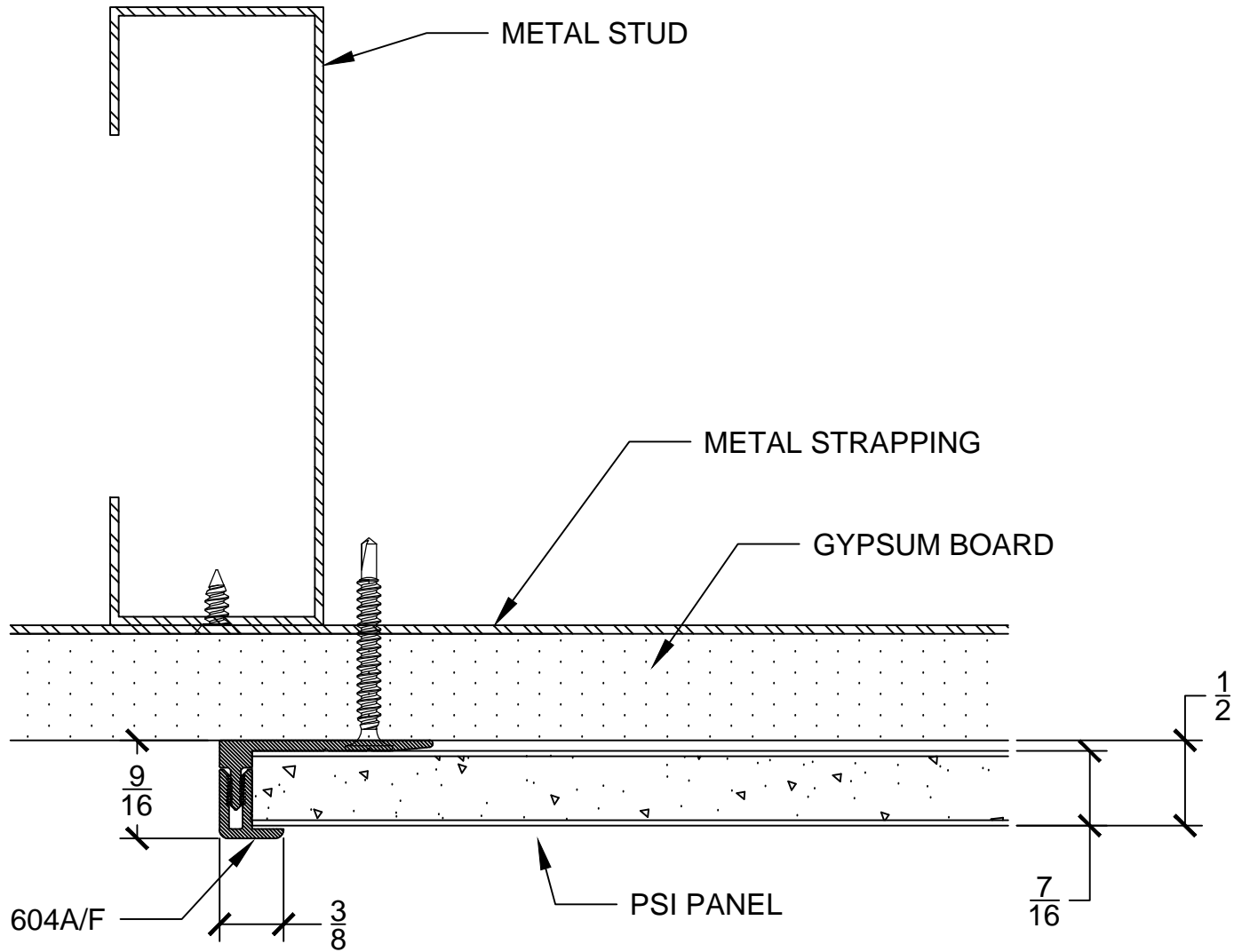
#304A EDGE TRIM @ DOOR OR WINDOW FRAME

TOP VIEW



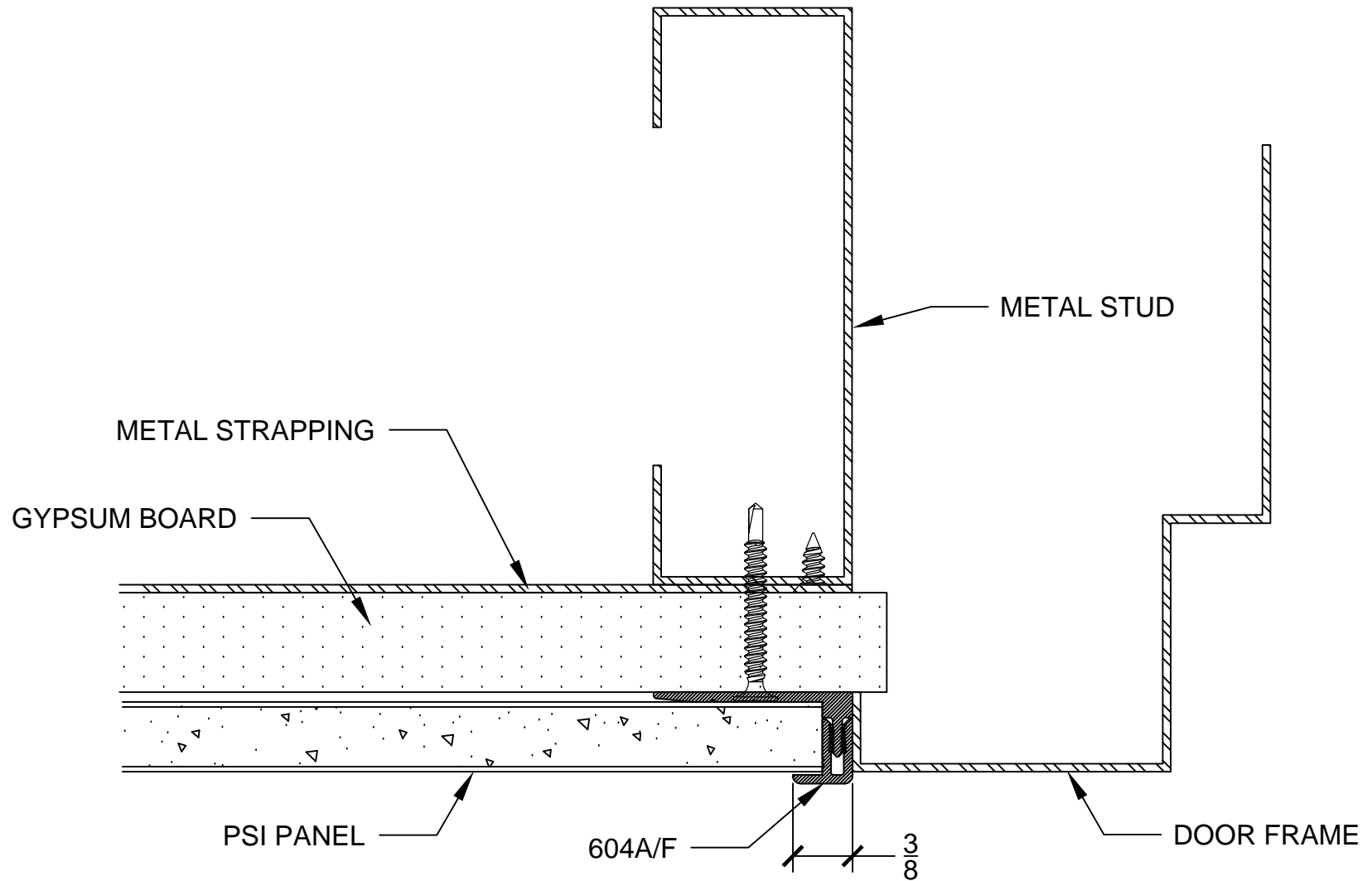
#604 VERTICAL EDGE TRIM

TOP VIEW



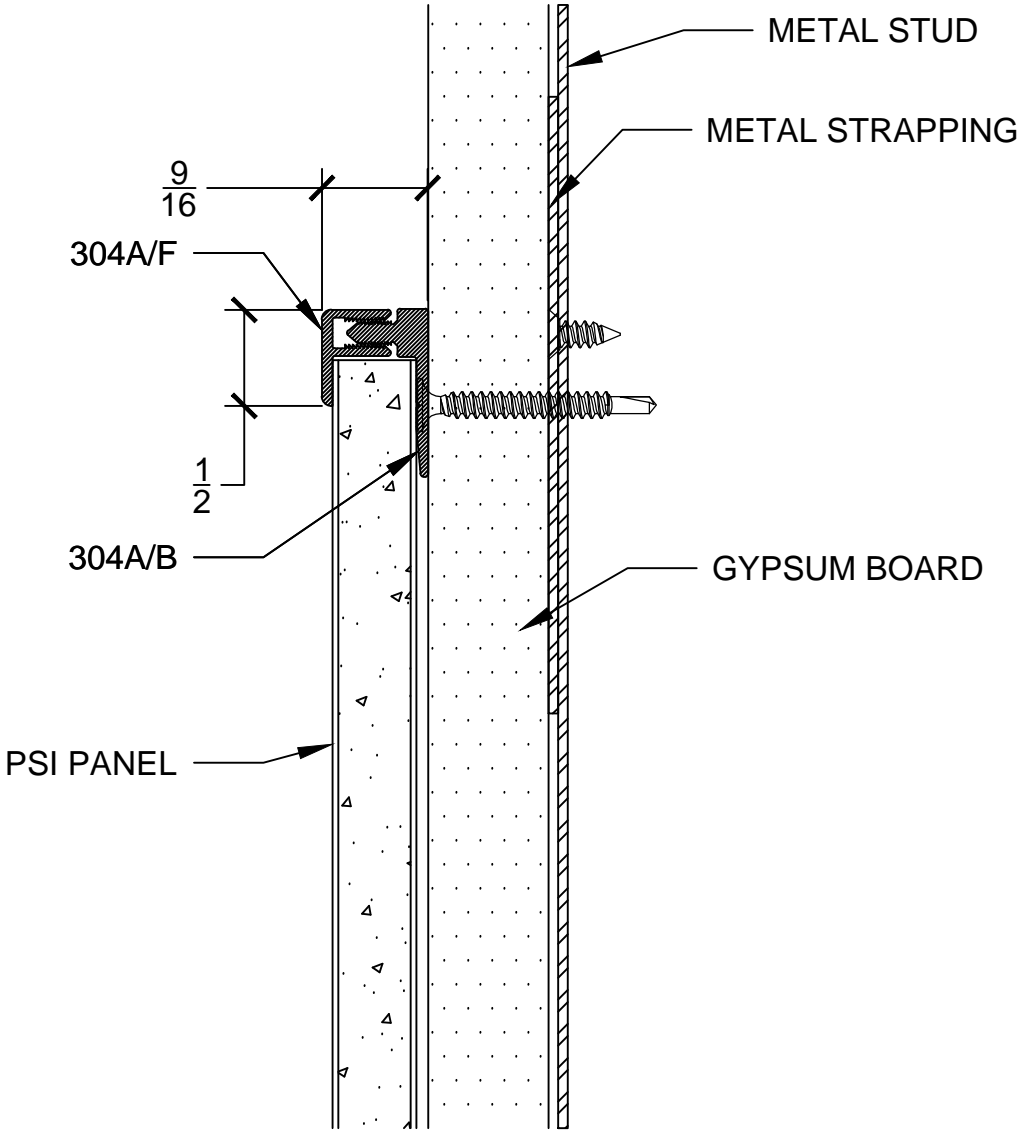
#604A VERTICAL EDGE TRIM

TOP VIEW



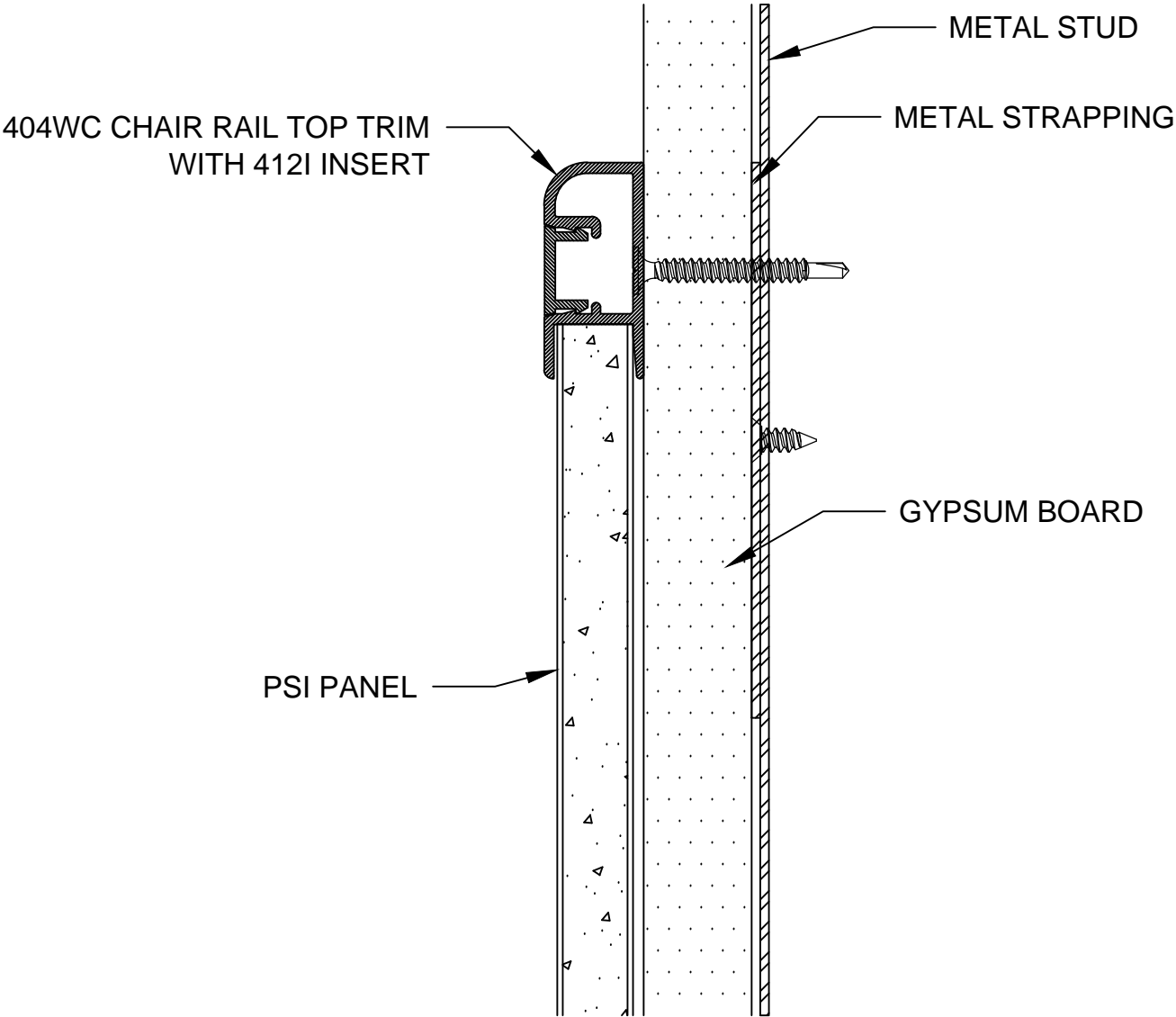
#604A EDGE TRIM @ DOOR OR WINDOW FRAME

TOP VIEW



#304A TOP TRIM

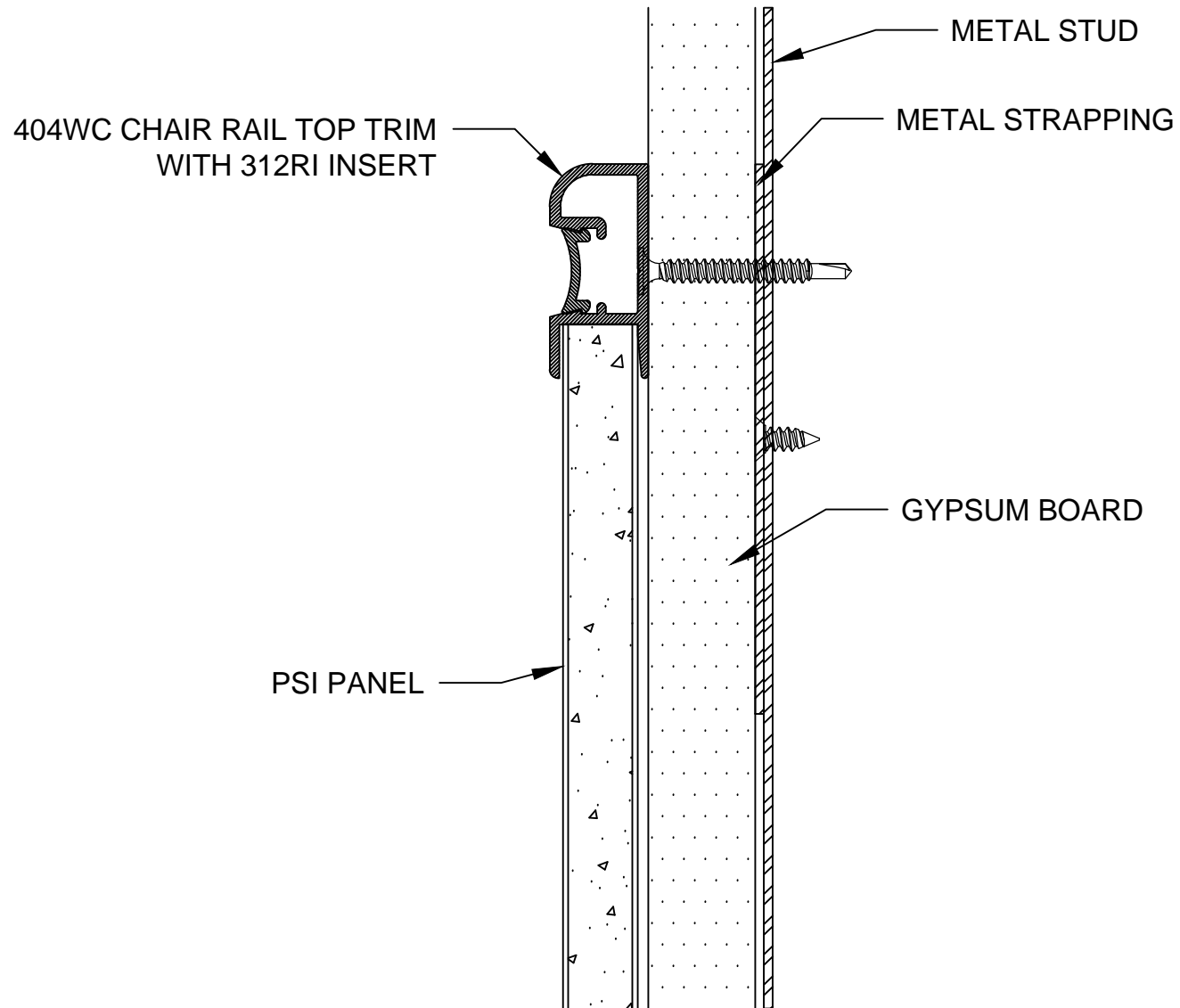
RIGHT SIDE VIEW



404WC WAINSCOT CHAIR RAIL TOP TRIM

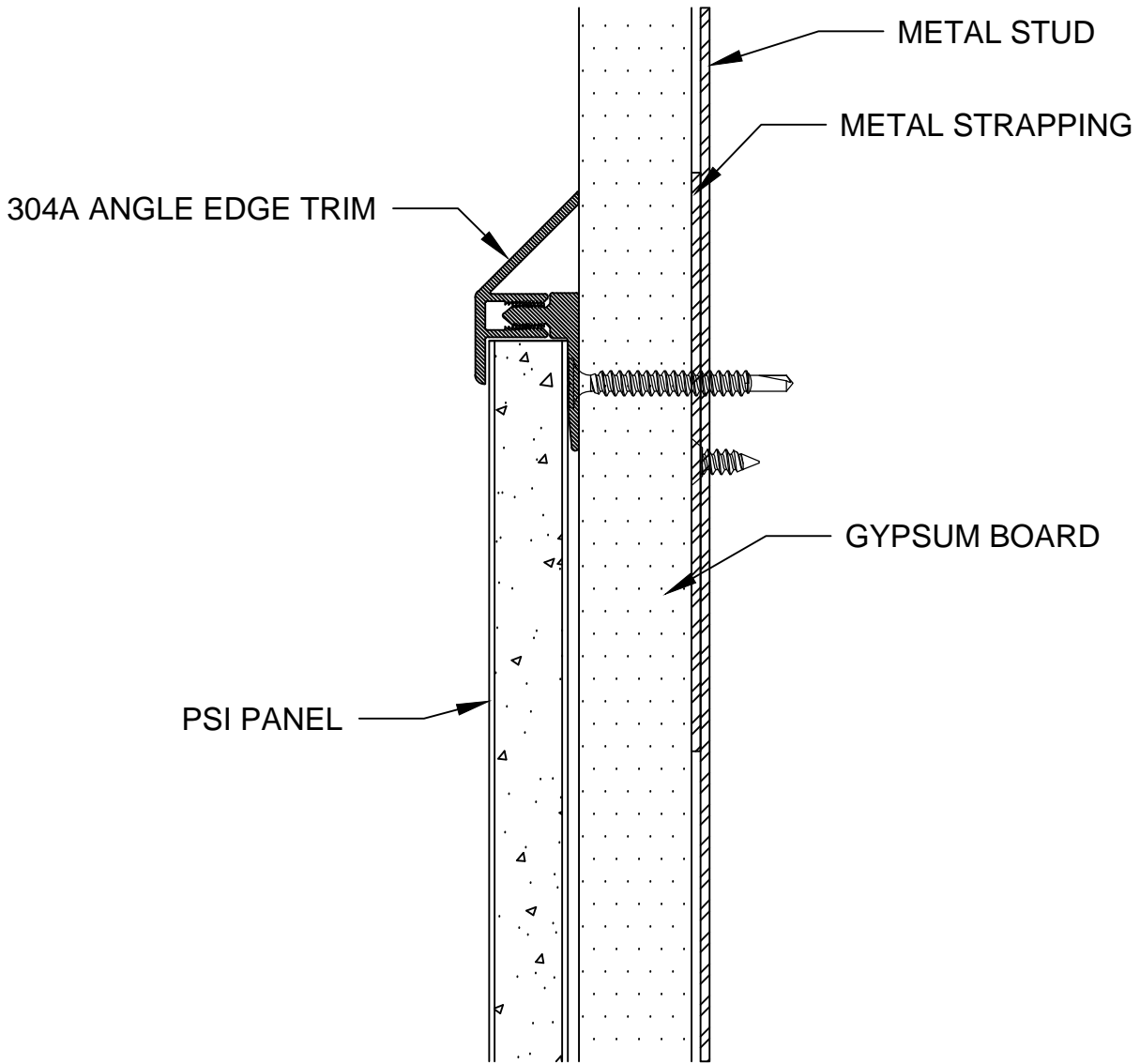
RIGHT SIDE VIEW





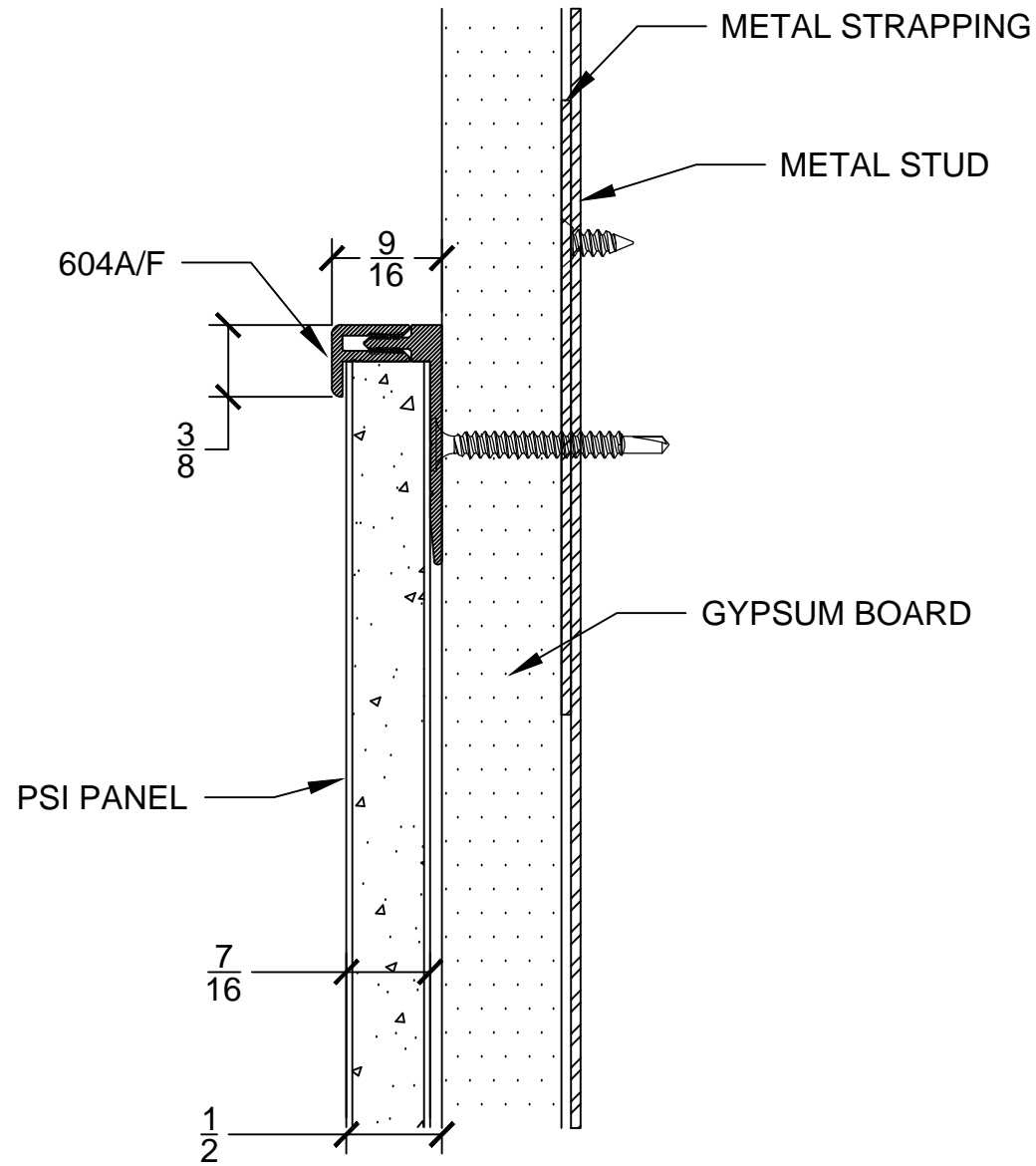
404WC WAINSCOT CHAIR RAIL TOP TRIM

RIGHT SIDE VIEW



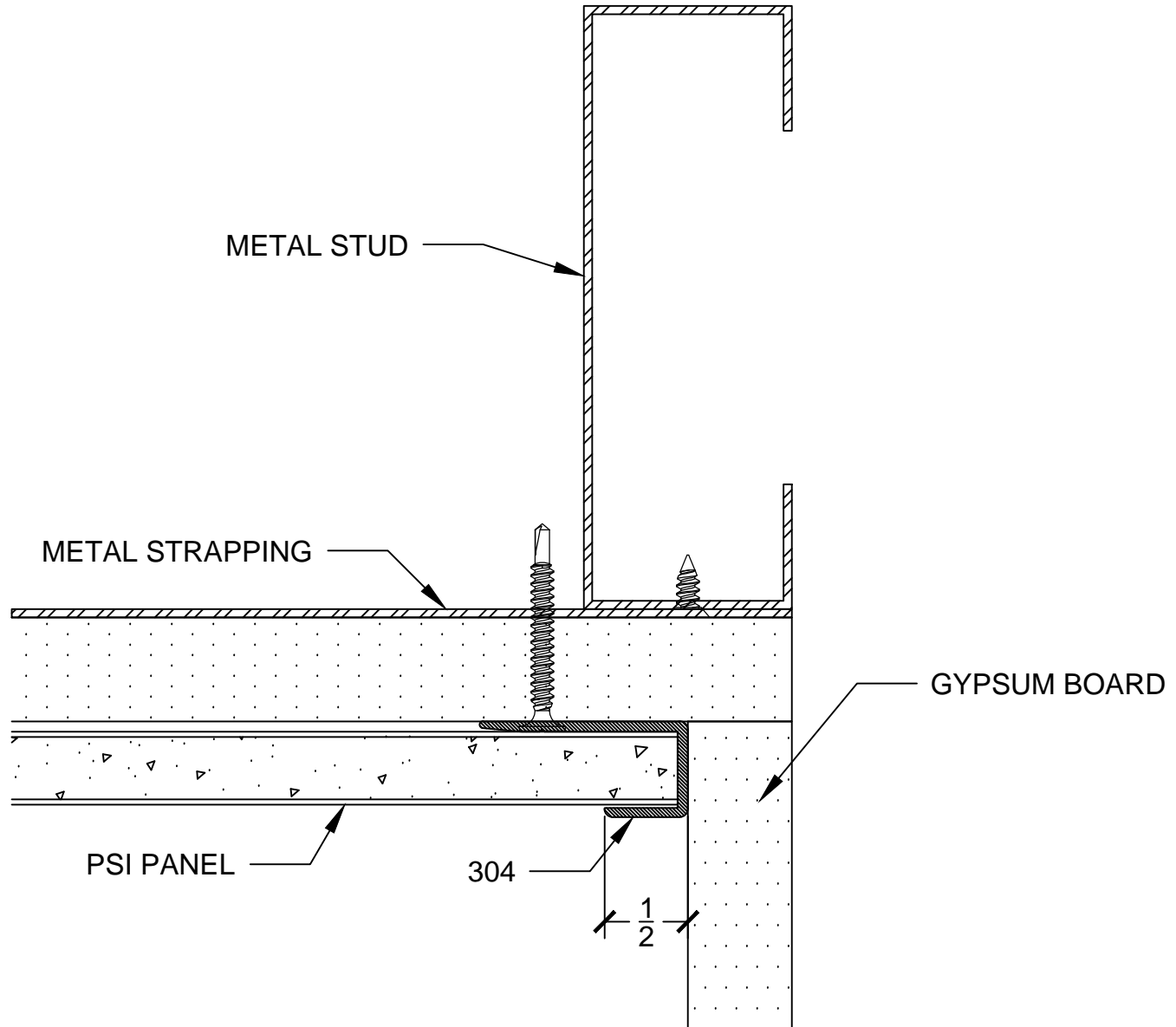
304A ANGLE EDGE TOP TRIM

RIGHT SIDE VIEW



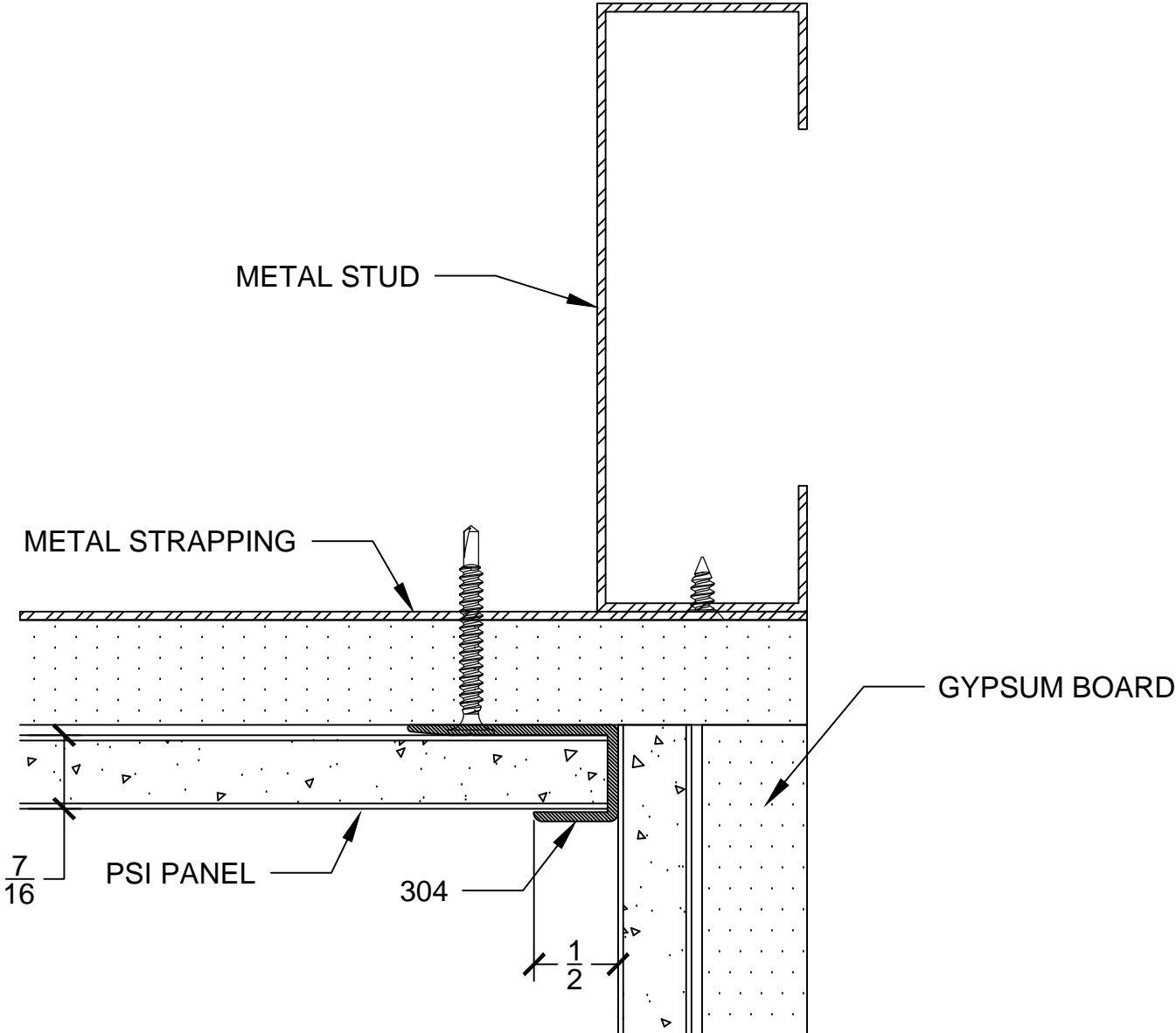
#604A TOP TRIM

RIGHT SIDE VIEW



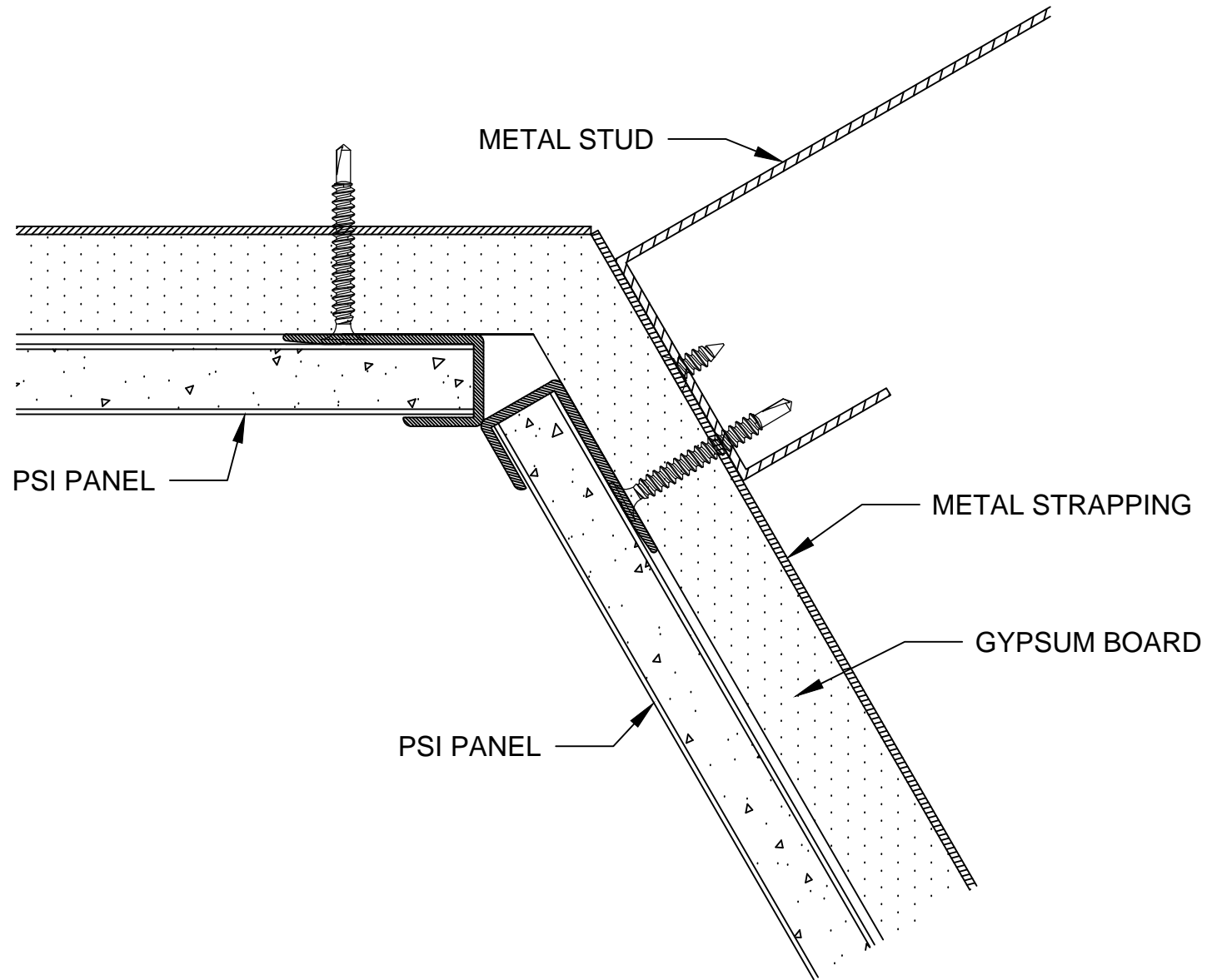
#304 INSIDE CORNER

TOP VIEW



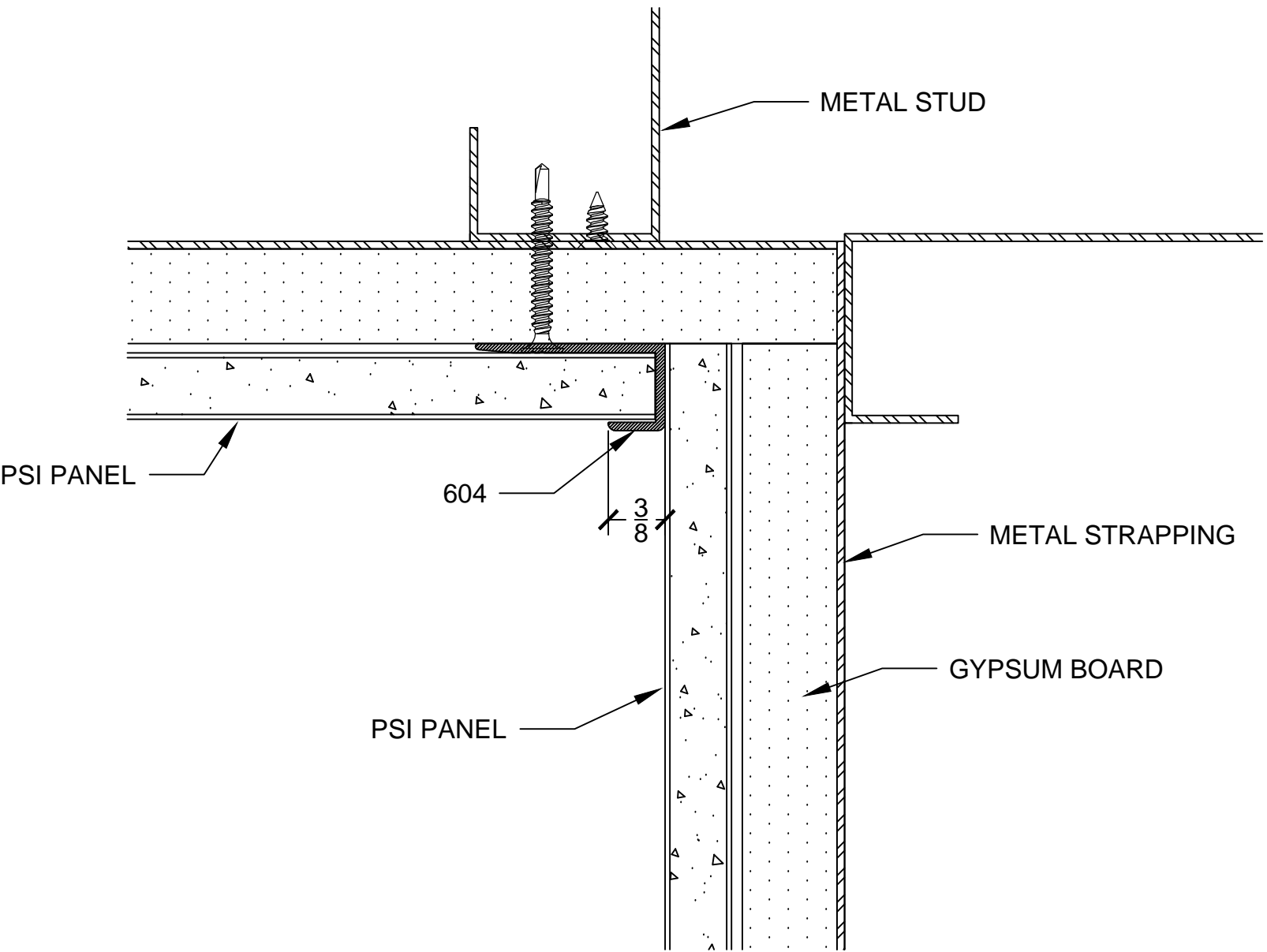
#304 INSIDE CORNER

TOP VIEW



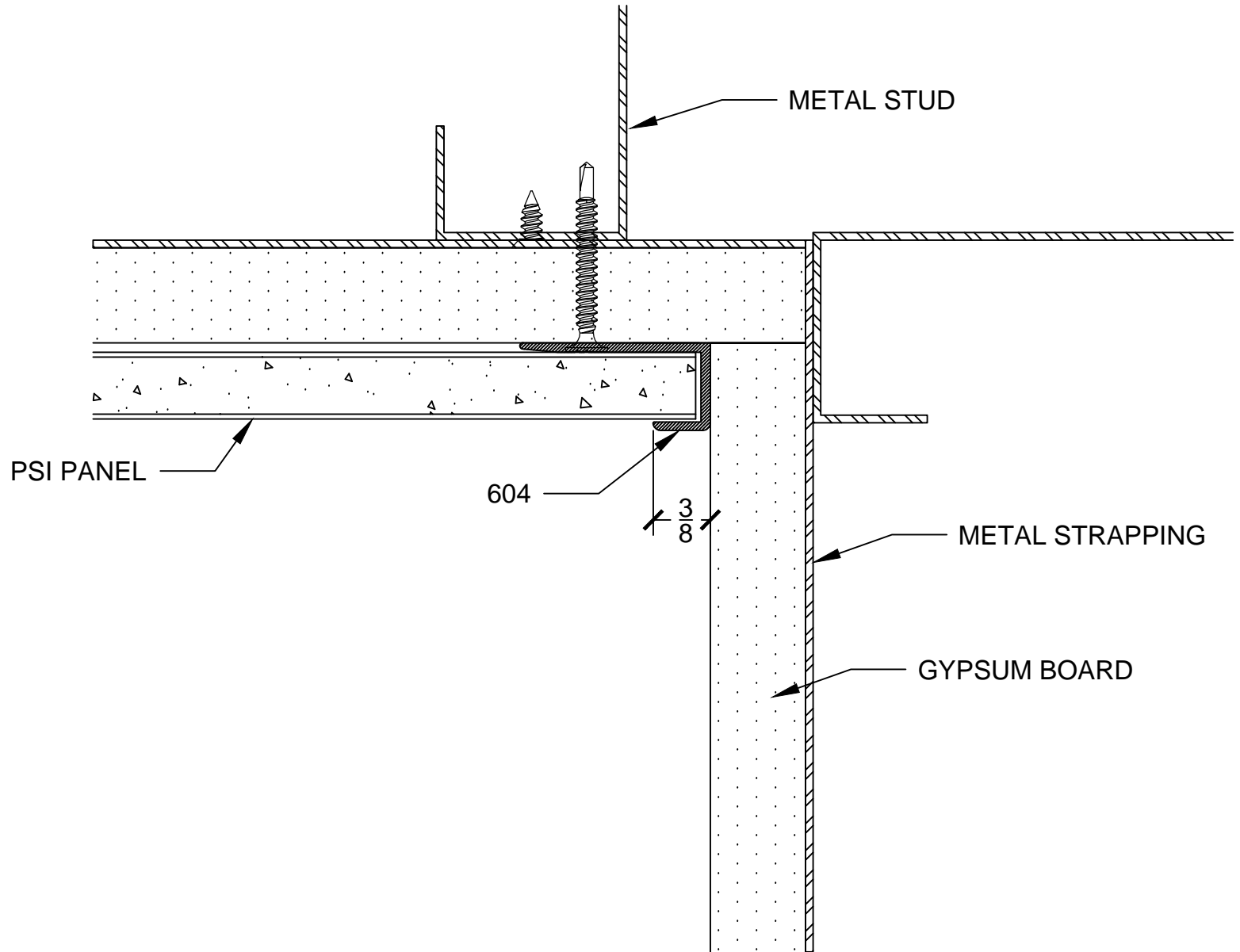
#304 ANGLED INSIDE CORNER

TOP VIEW



#604 INSIDE CORNER

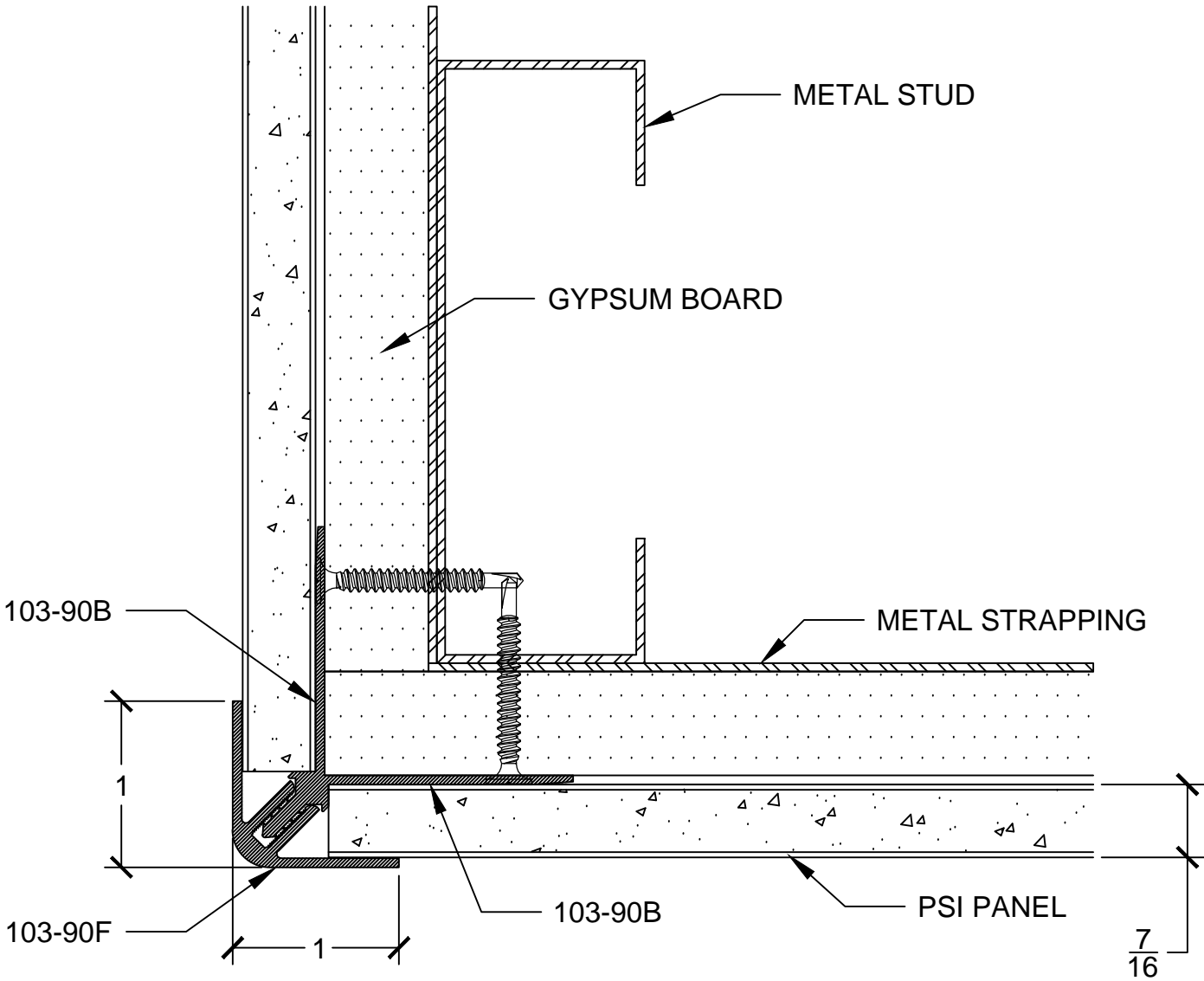
TOP VIEW



#604 INSIDE CORNER

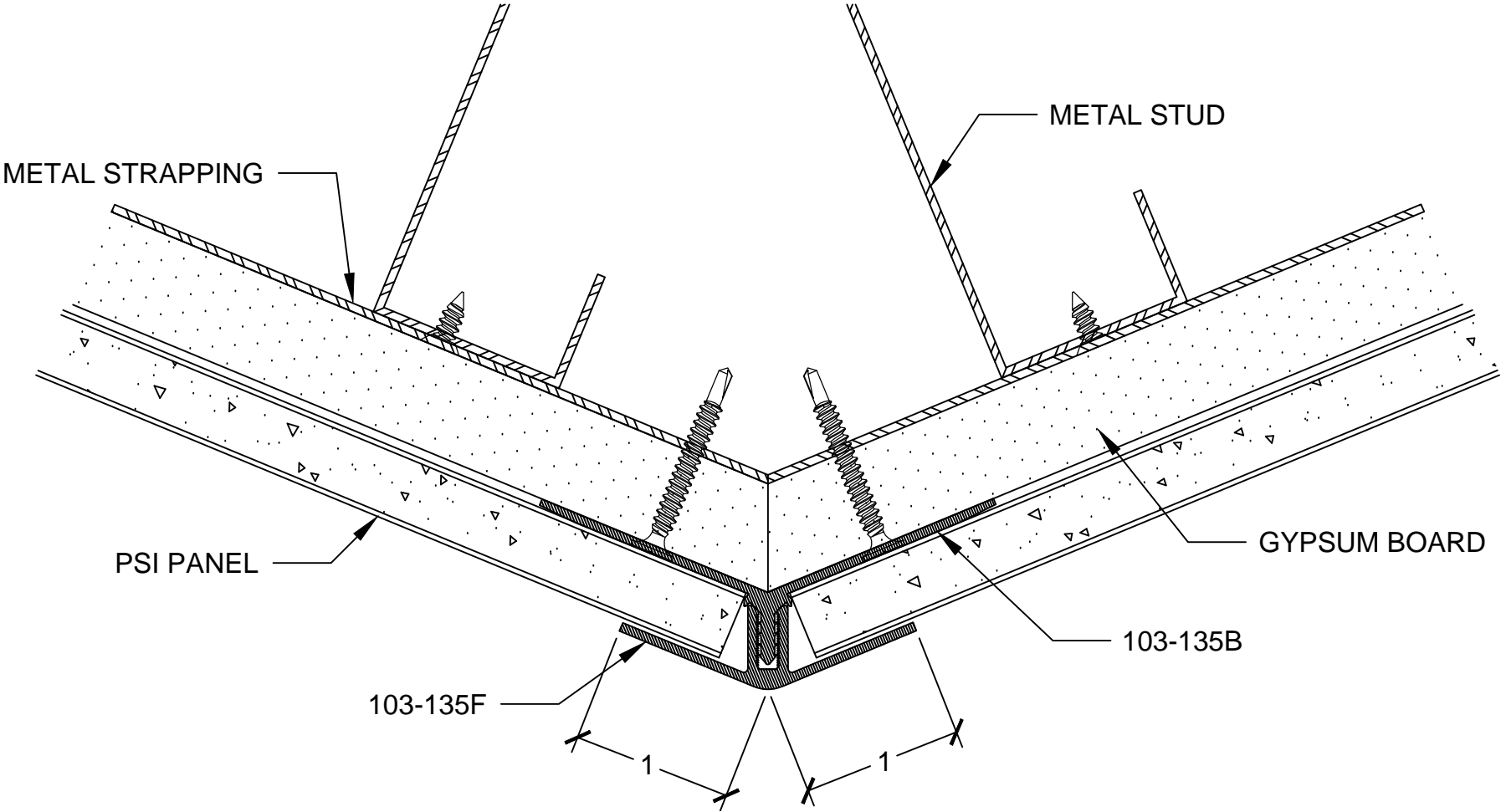
TOP VIEW





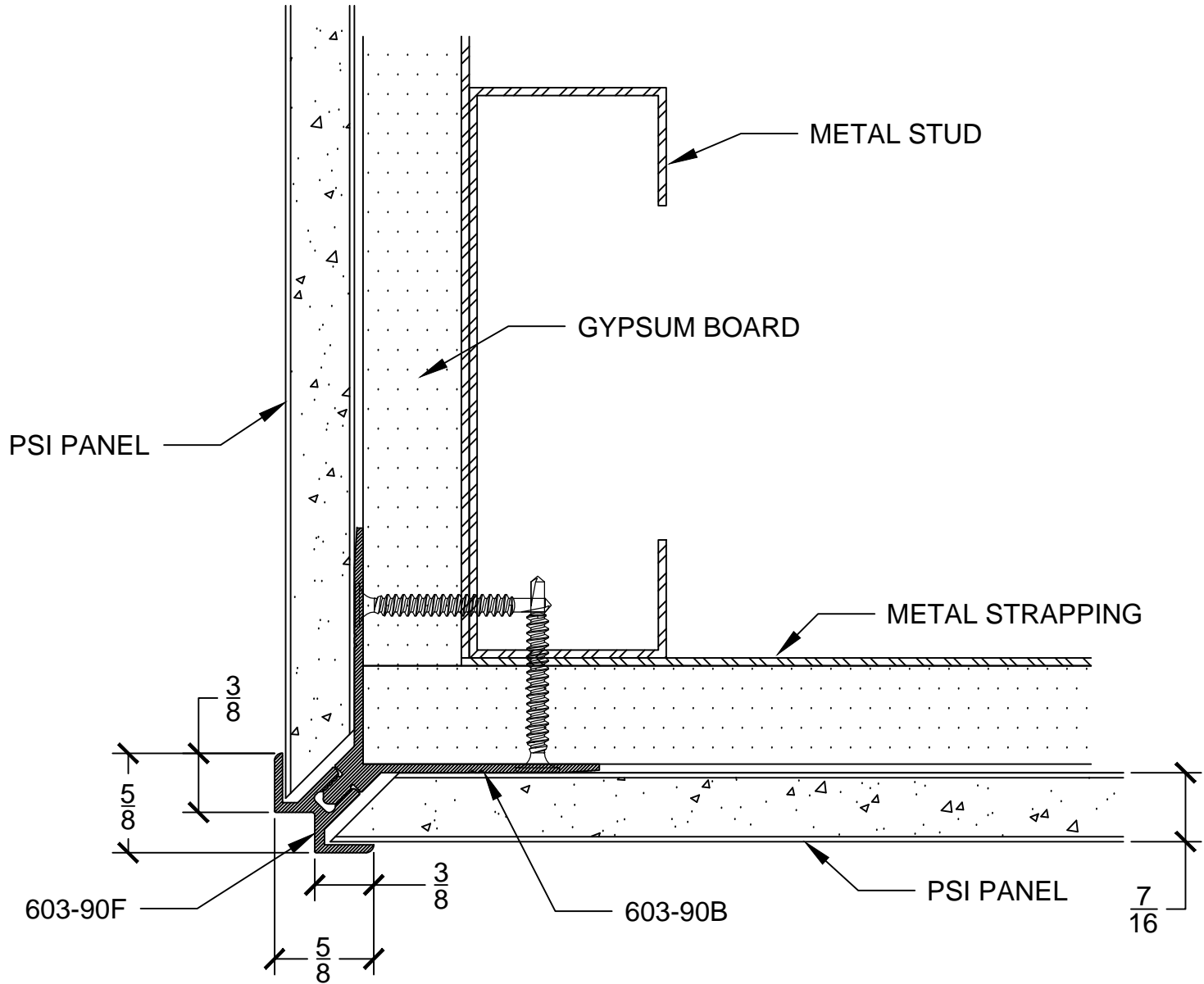
#103-90 OUTSIDE CORNER

TOP VIEW



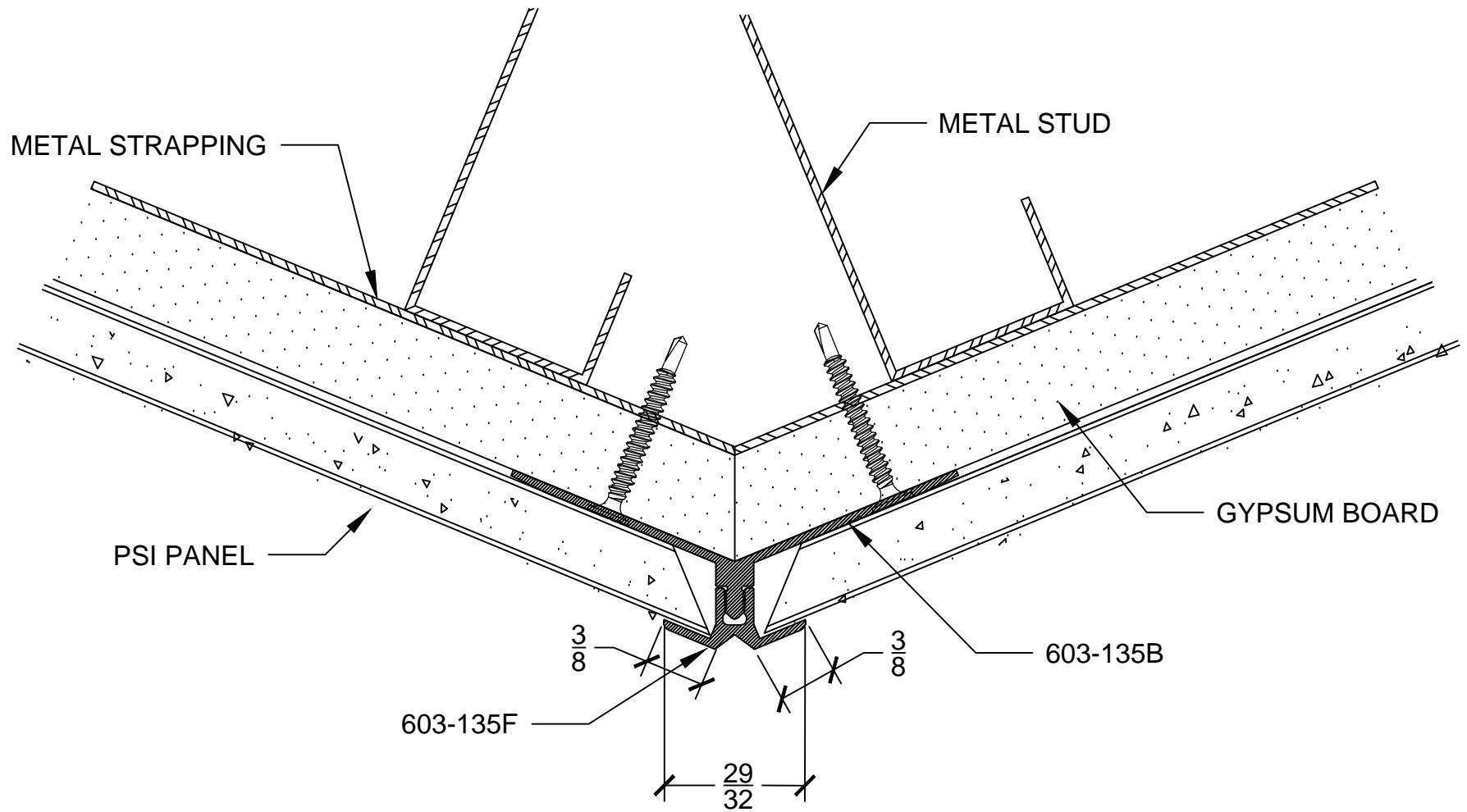
#103-135 OUTSIDE CORNER

TOP VIEW



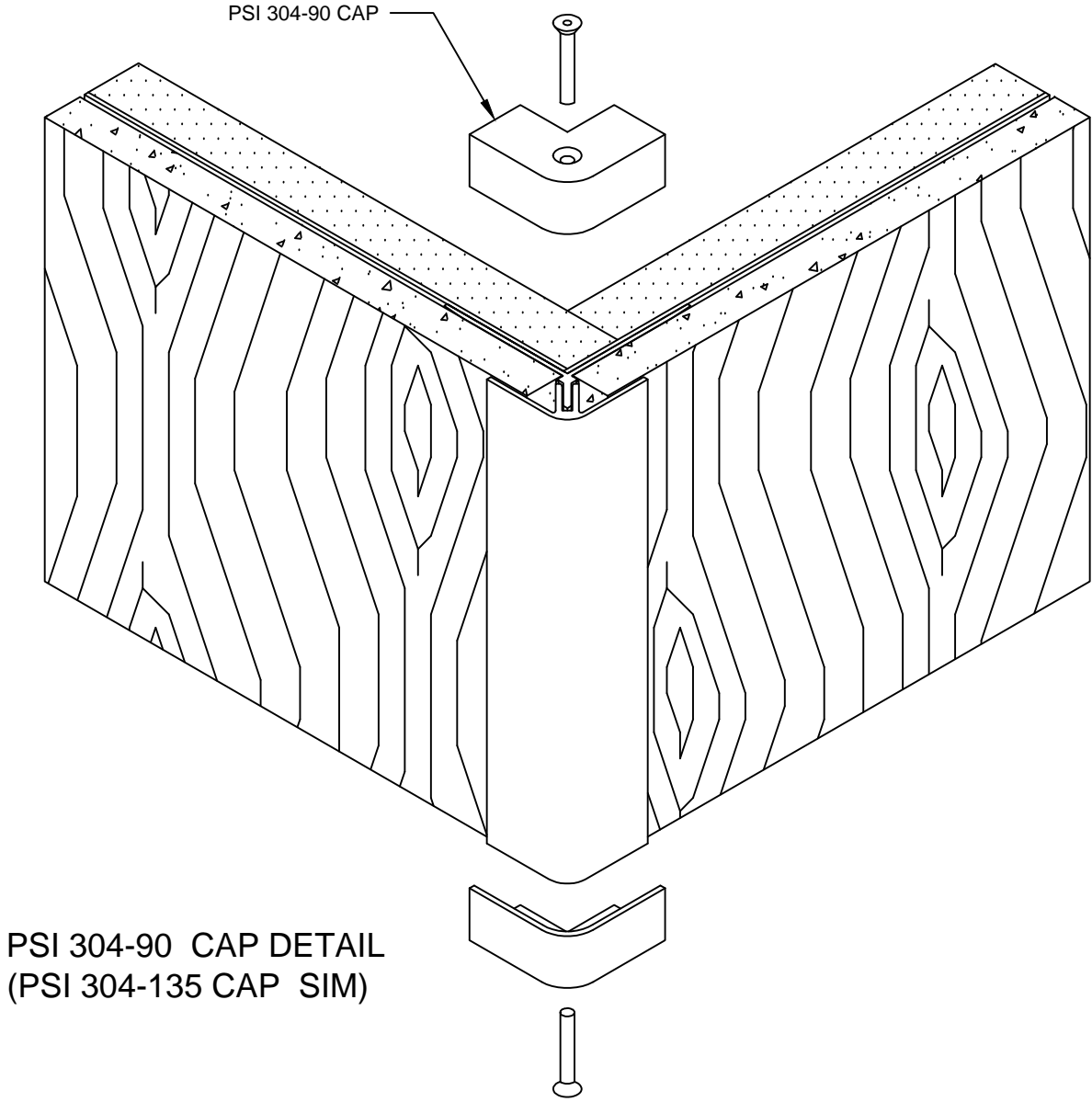
#603-90 OUTSIDE CORNER

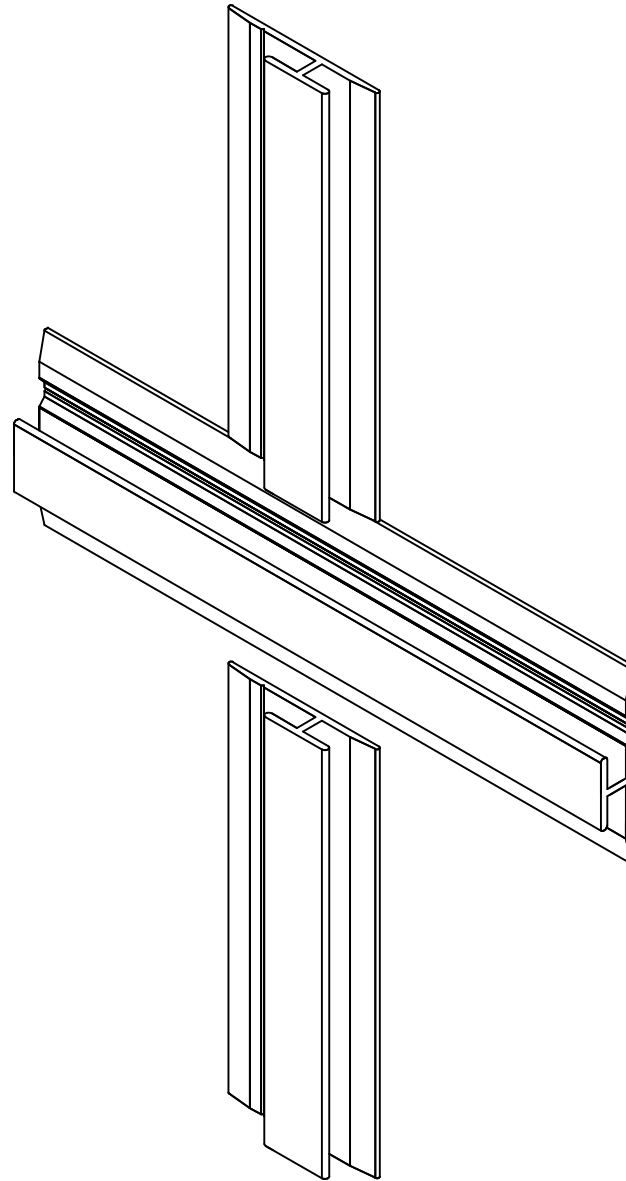
TOP VIEW



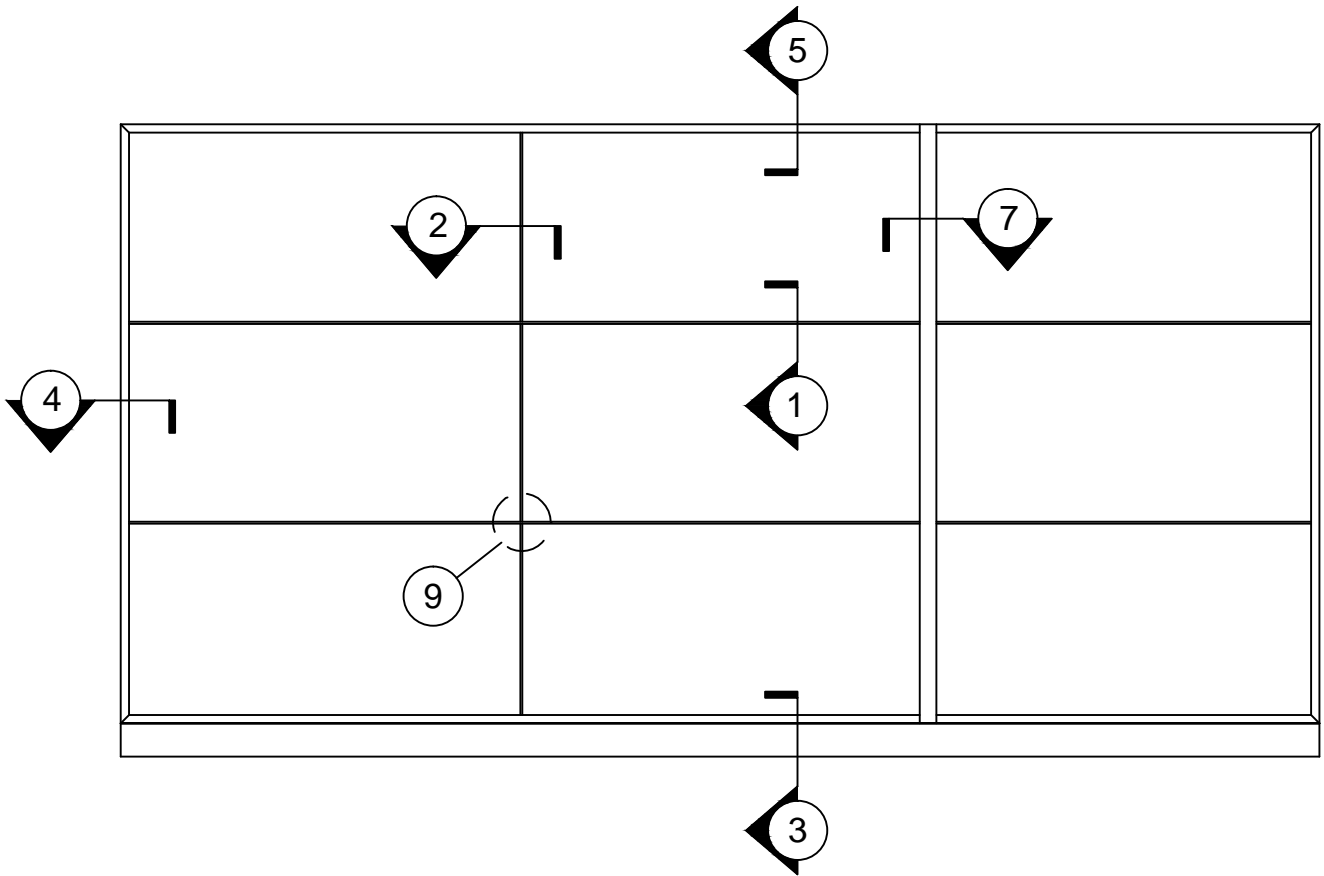
#603-135 OUTSIDE CORNER

TOP VIEW

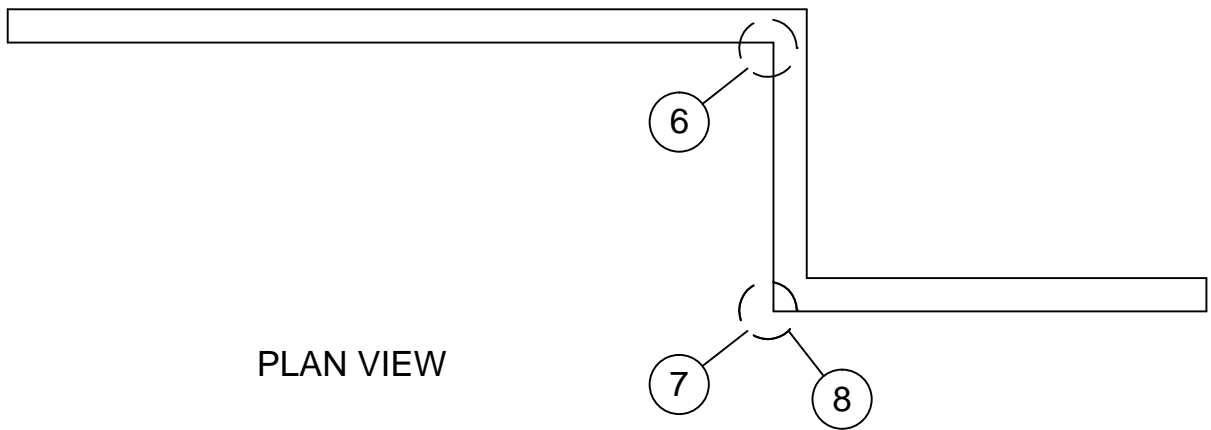




PANEL SPECIALISTS INC.  
WALL PANEL SYSTEM  
310EB-310



ELEVATION VIEW



PLAN VIEW