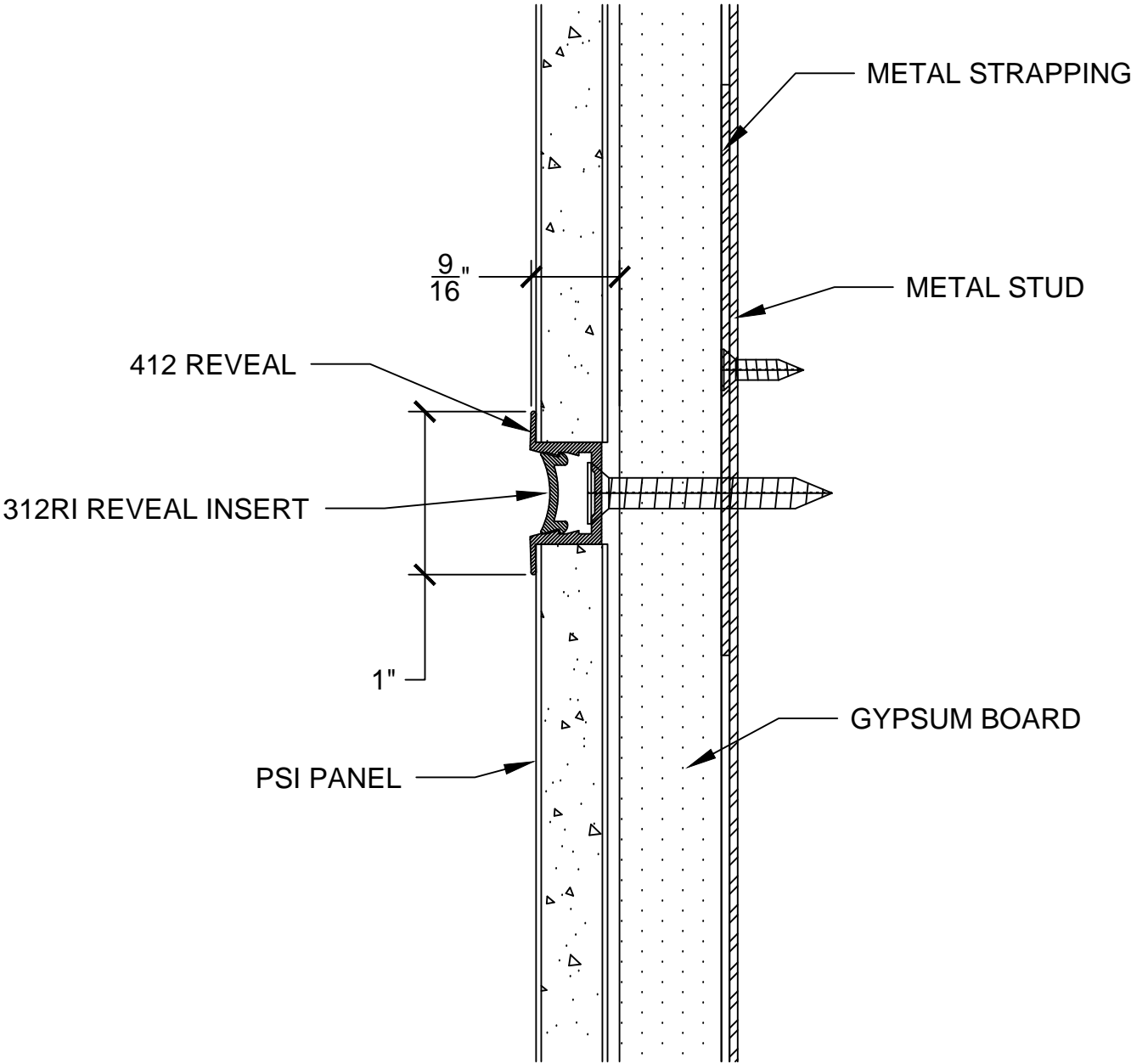


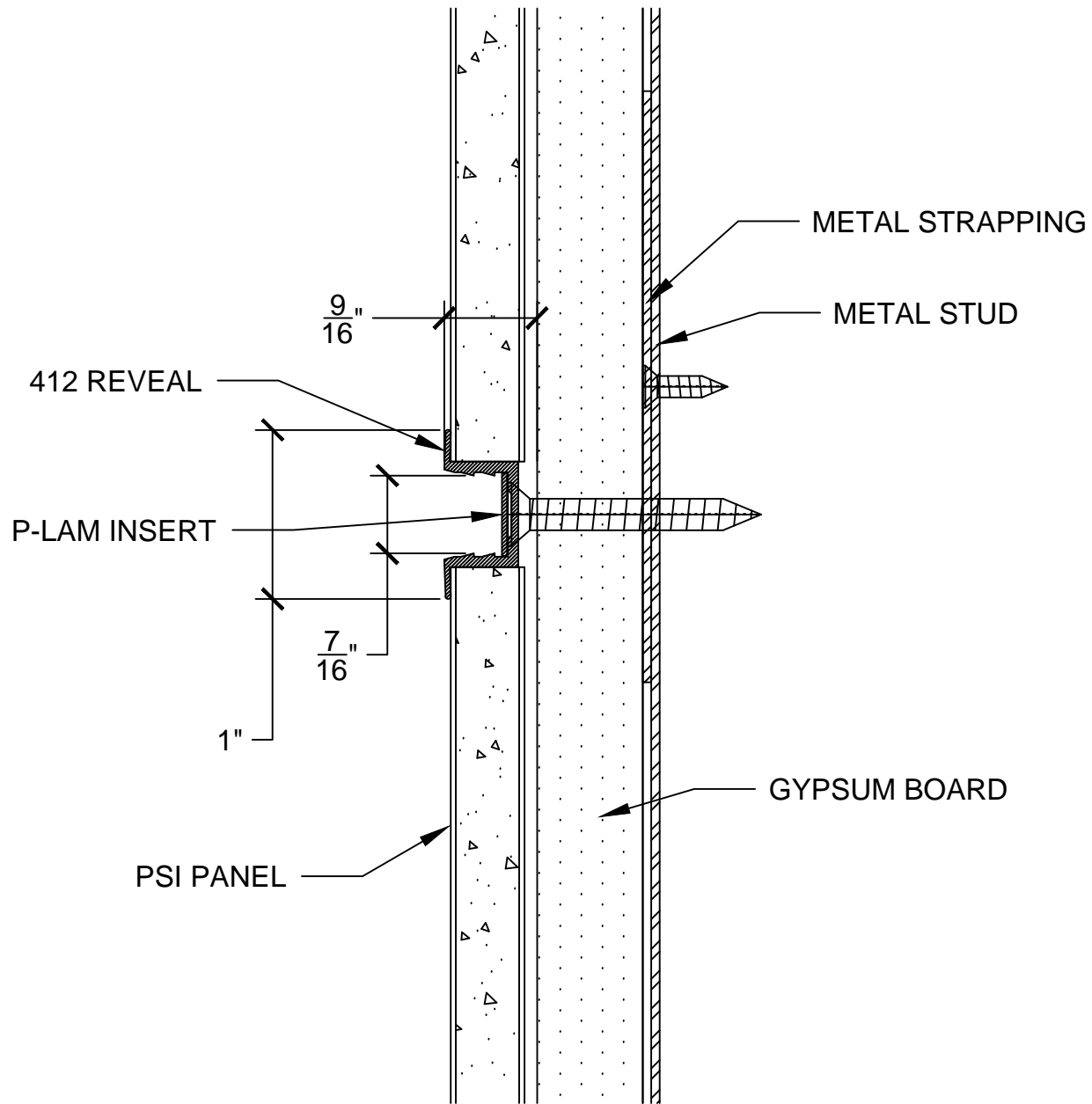
#412 HORIZONTAL REVEAL / DIVIDER

RIGHT SIDE VIEW



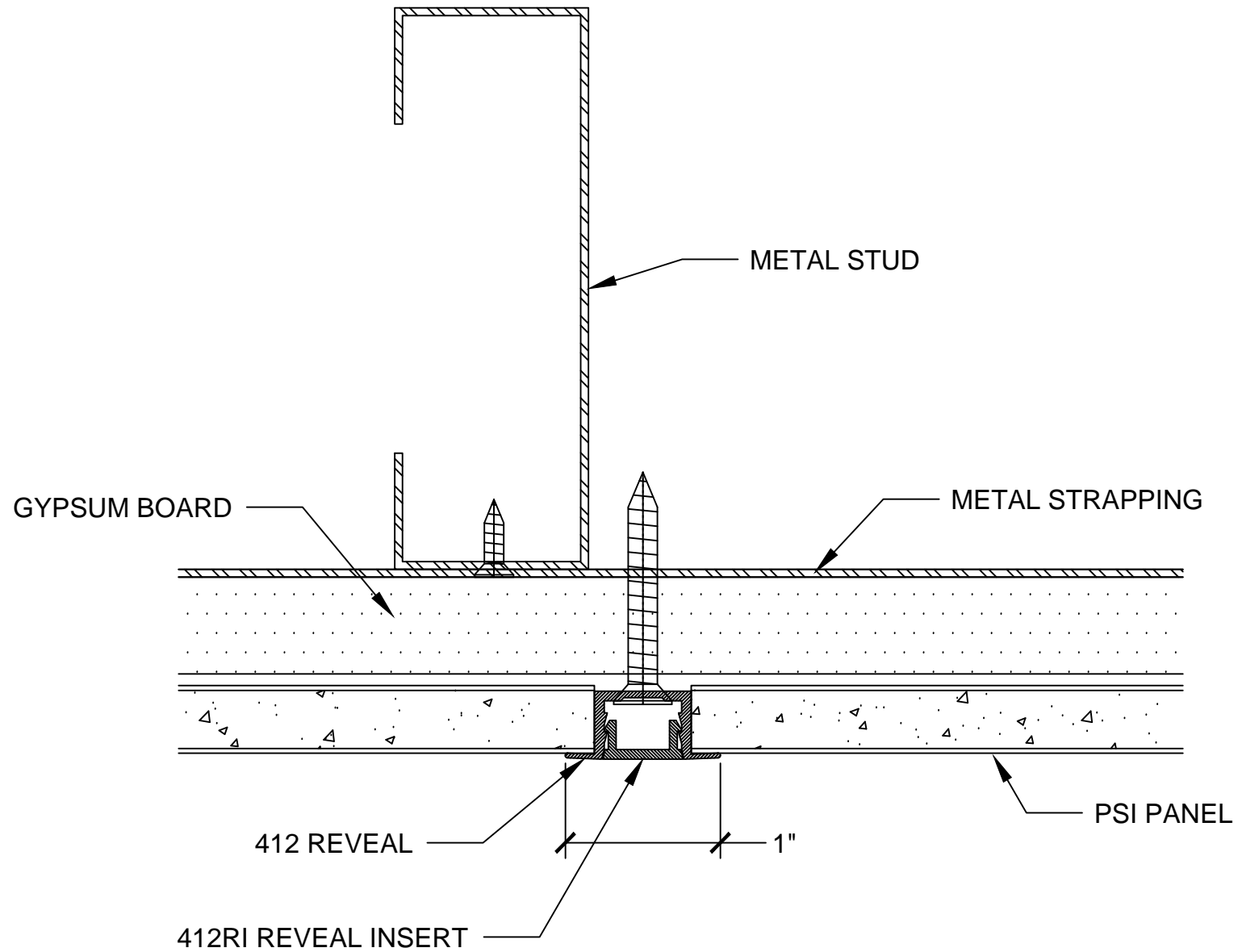
#412 HORIZONTAL REVEAL / DIVIDER

RIGHT SIDE VIEW



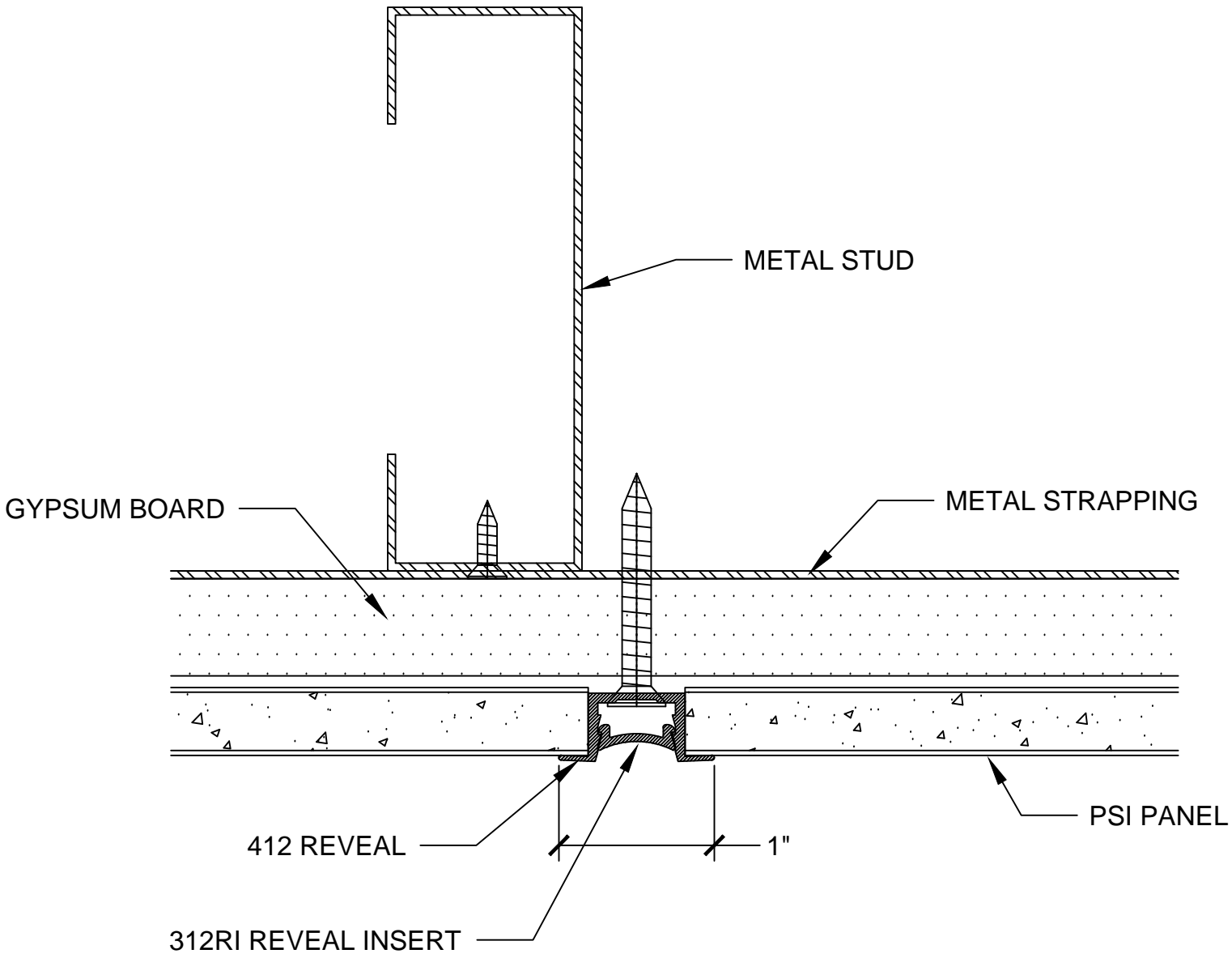
#412 HORIZONTAL REVEAL / DIVIDER

RIGHT SIDE VIEW



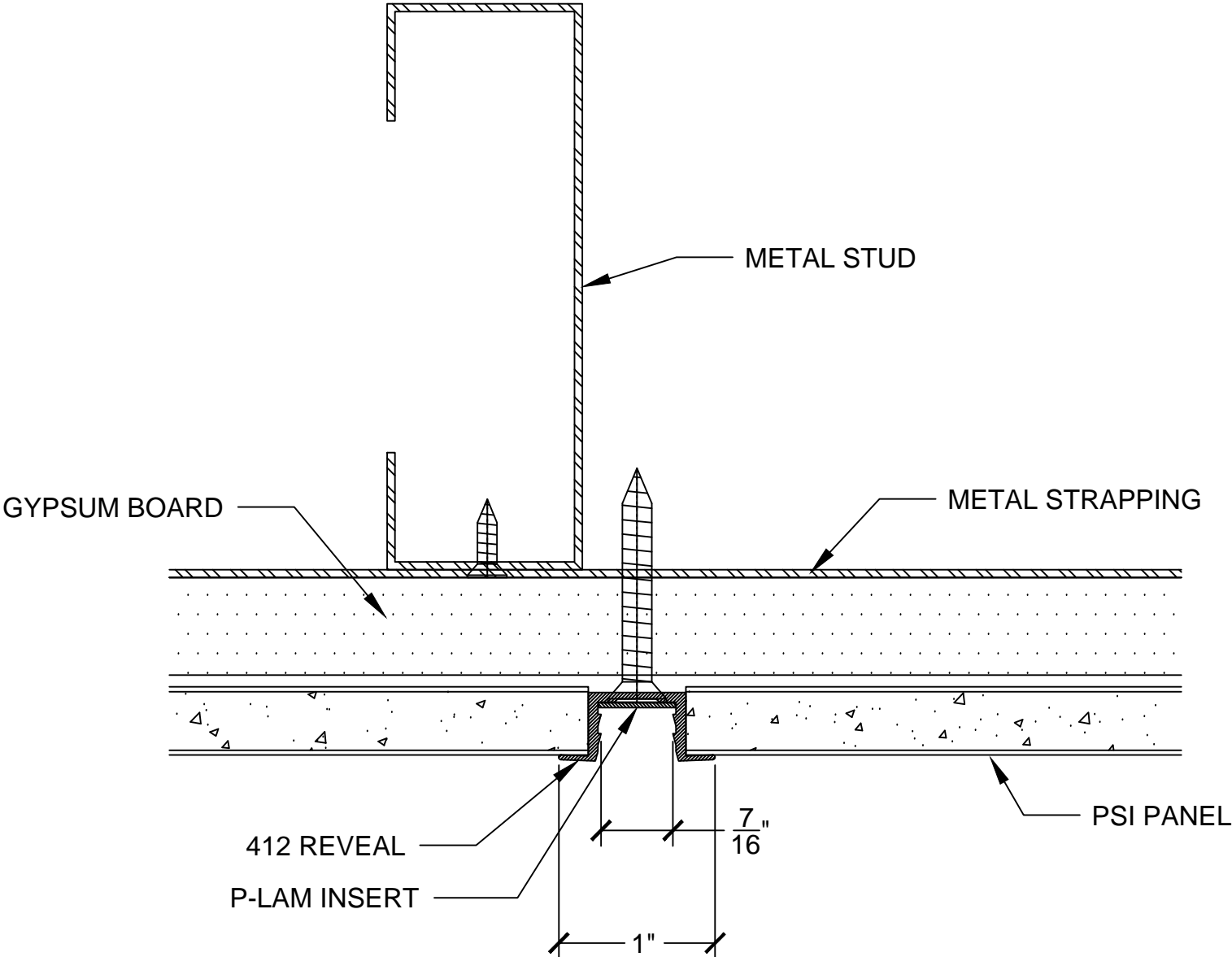
#412 VERTICAL REVEAL / DIVIDER

TOP VIEW



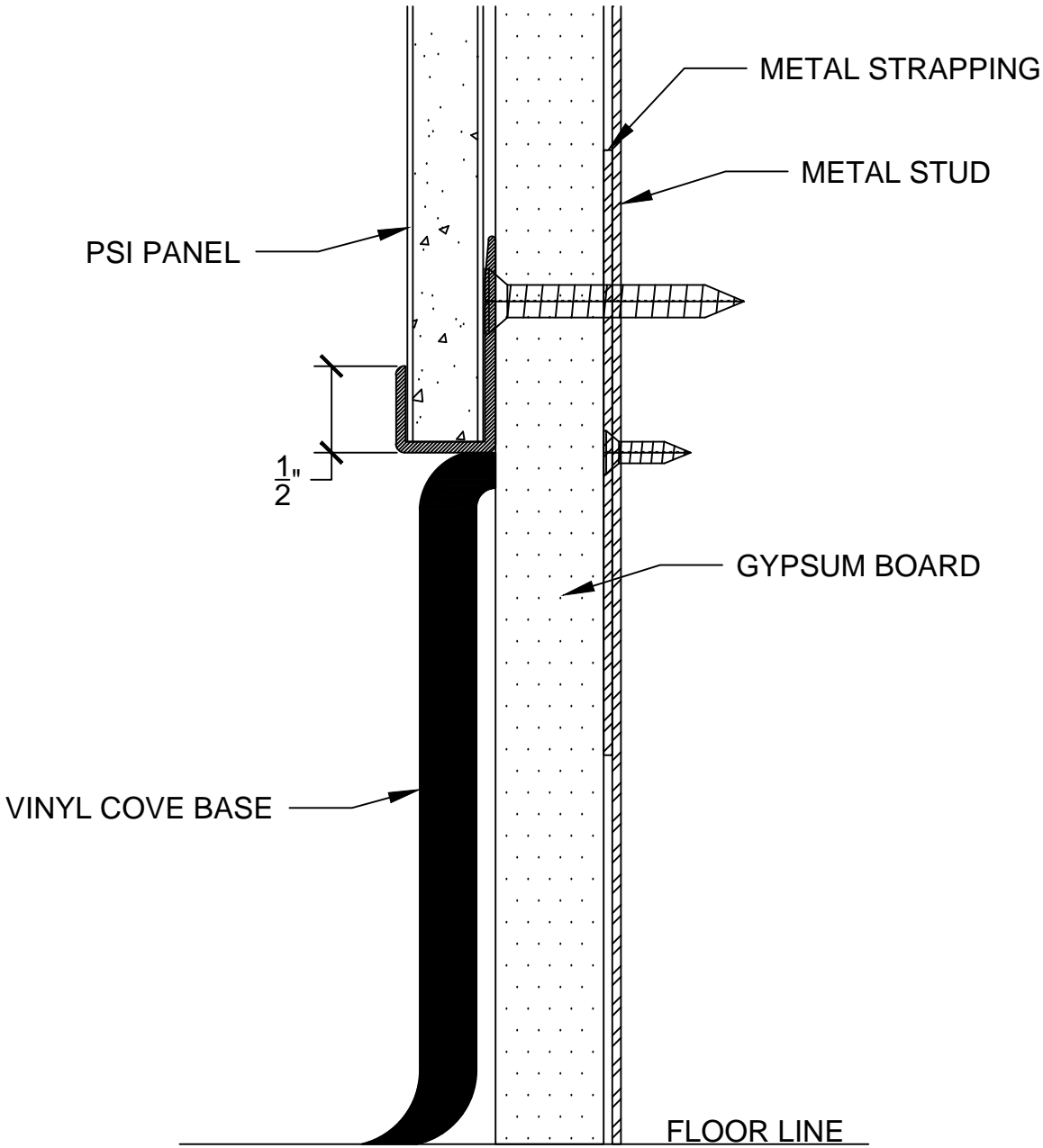
#412 VERTICAL REVEAL / DIVIDER

TOP VIEW



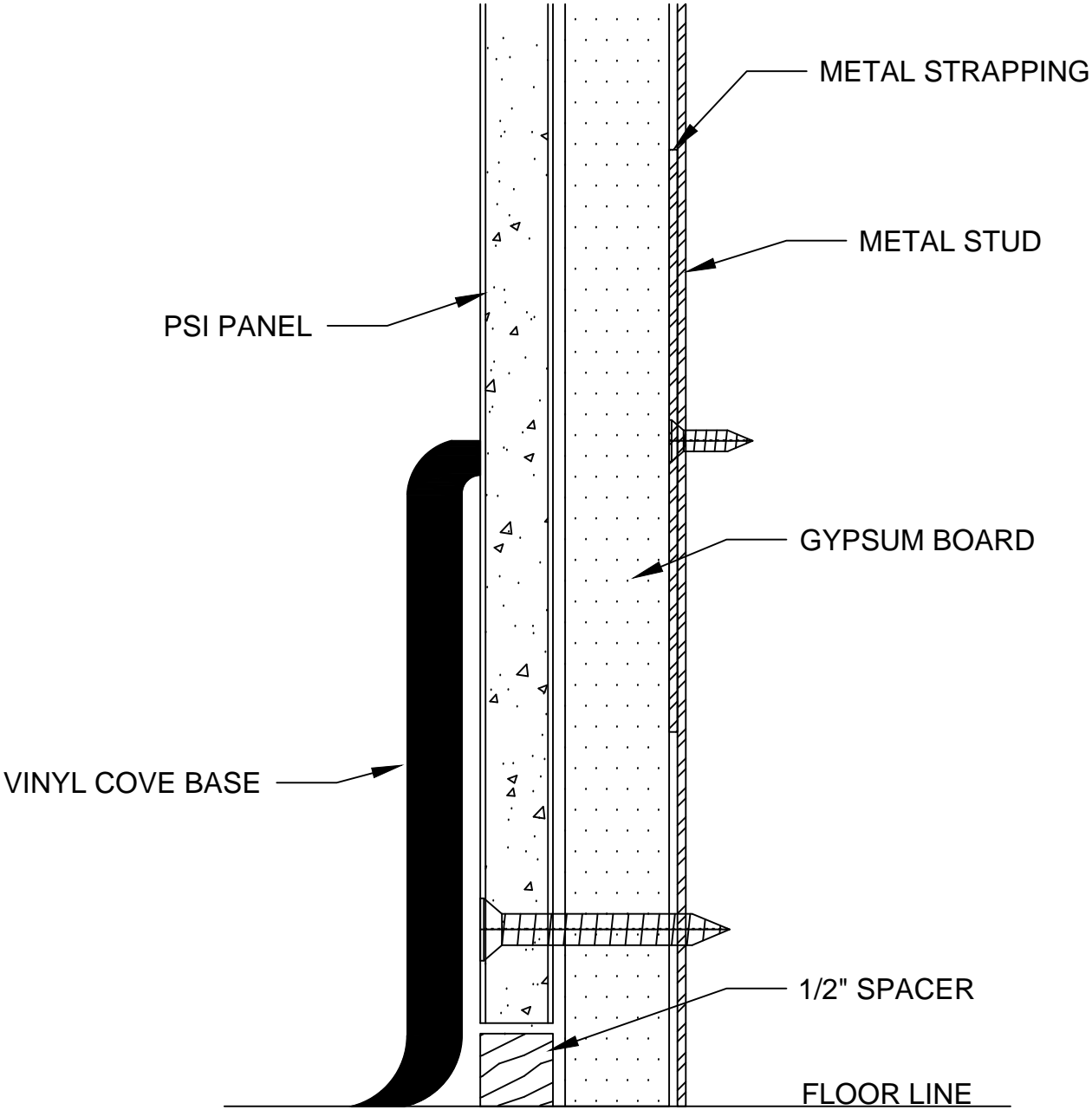
#412 VERTICAL REVEAL / DIVIDER

TOP VIEW



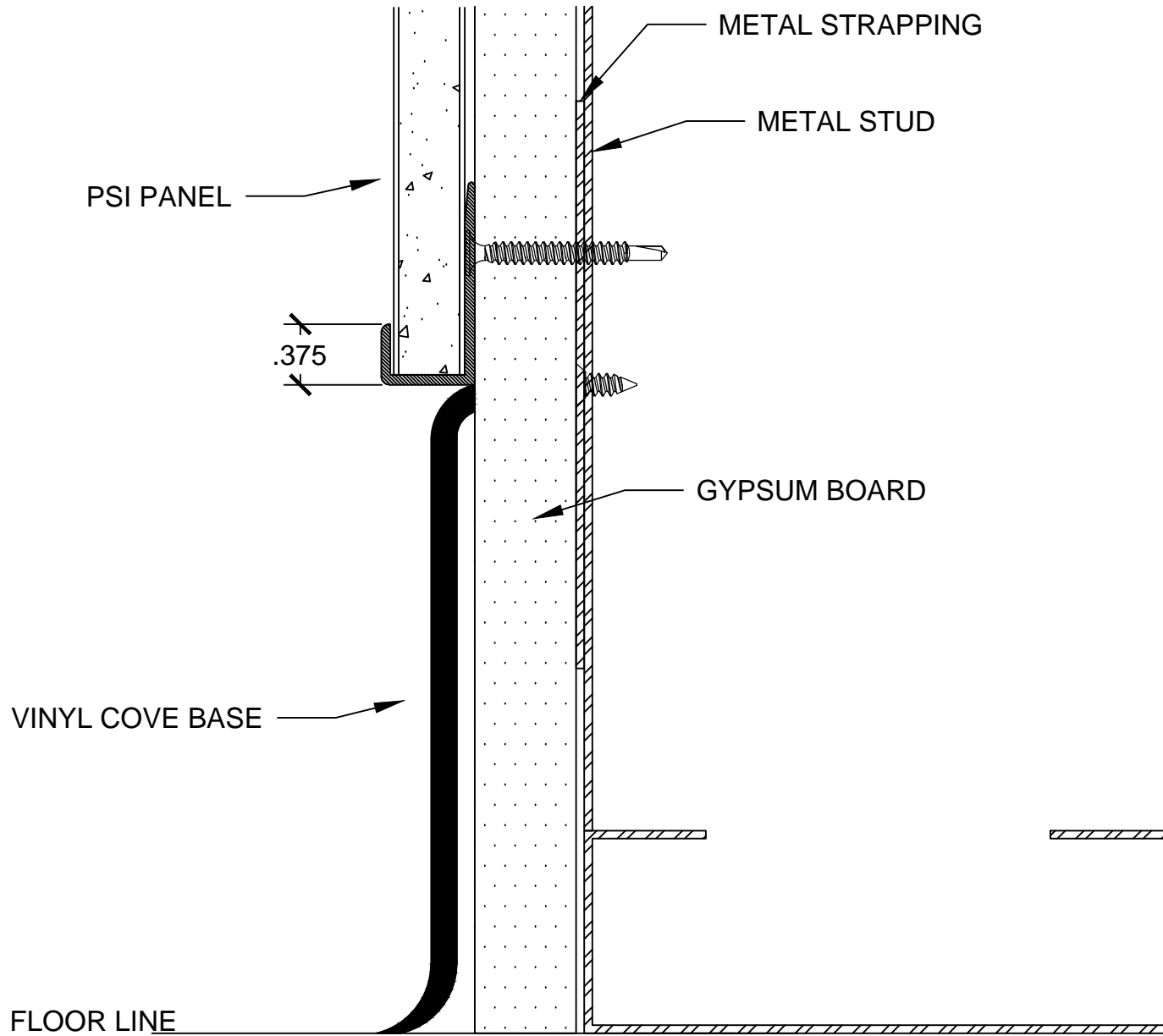
#304 HORIZONTAL TRIM - ABOVE BASE

RIGHT SIDE VIEW



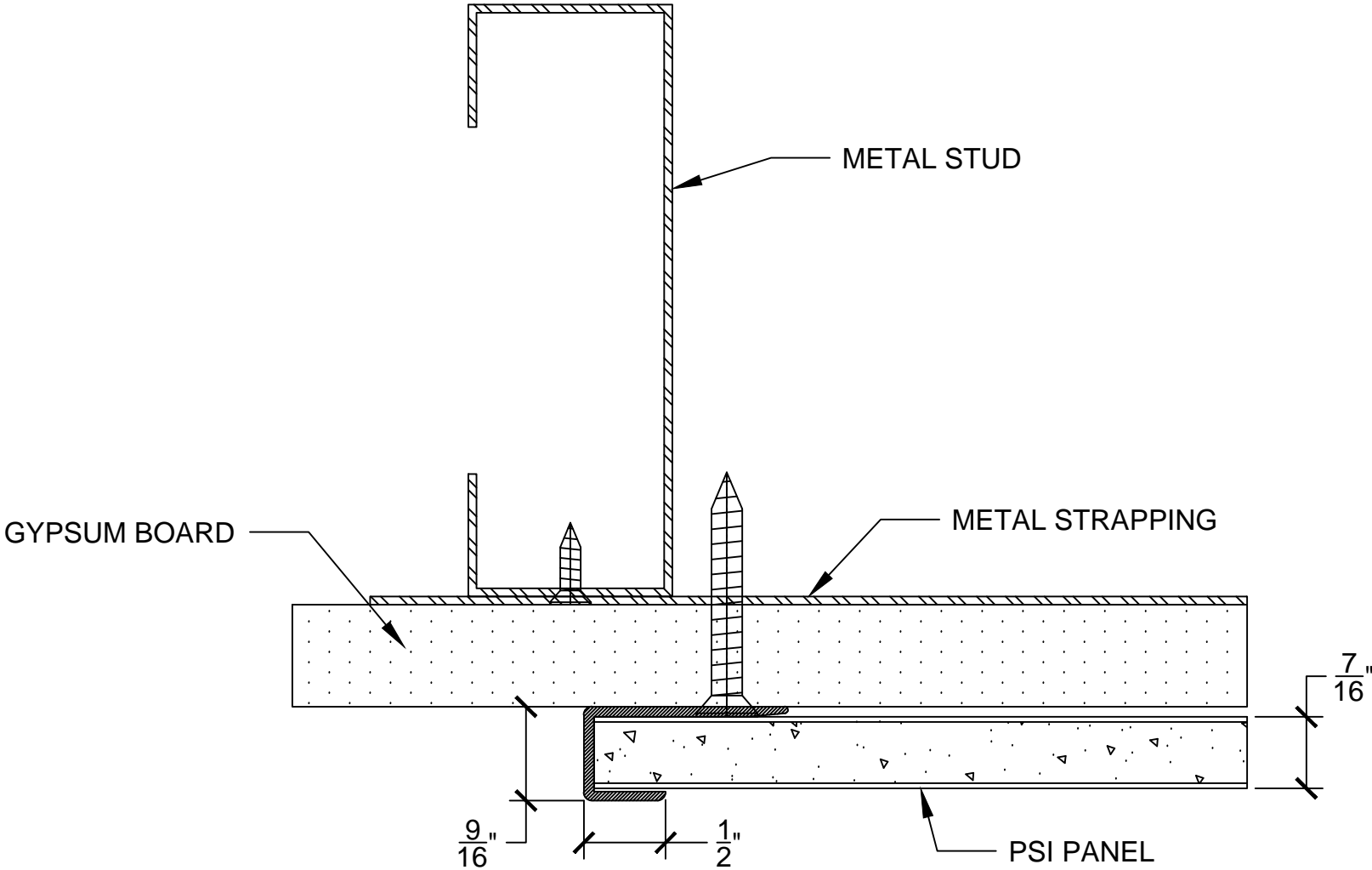
ALTERNATE - BEHIND BASE

RIGHT SIDE VIEW



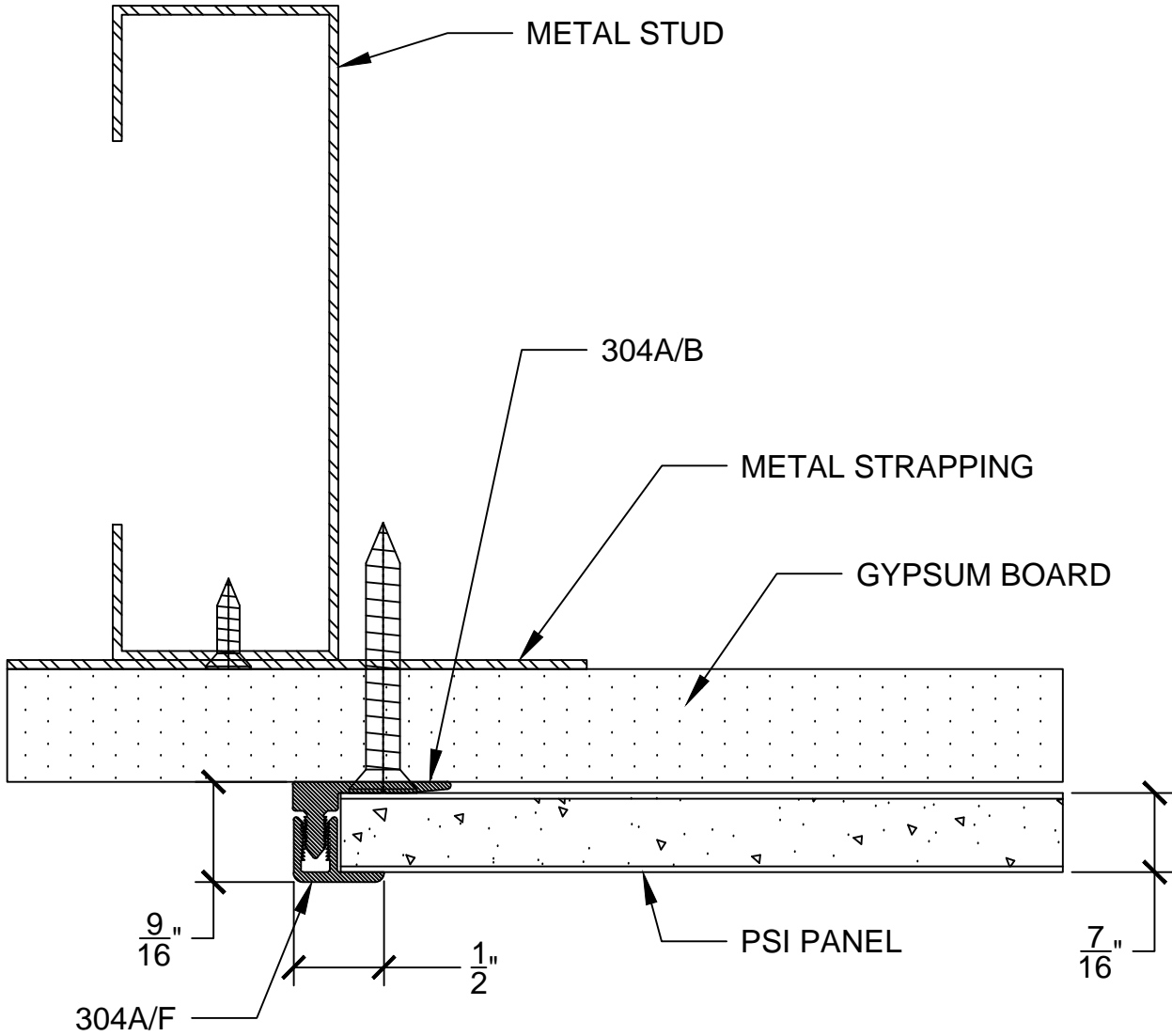
#604 HORIZONTAL TRIM - ABOVE BASE

RIGHT SIDE VIEW



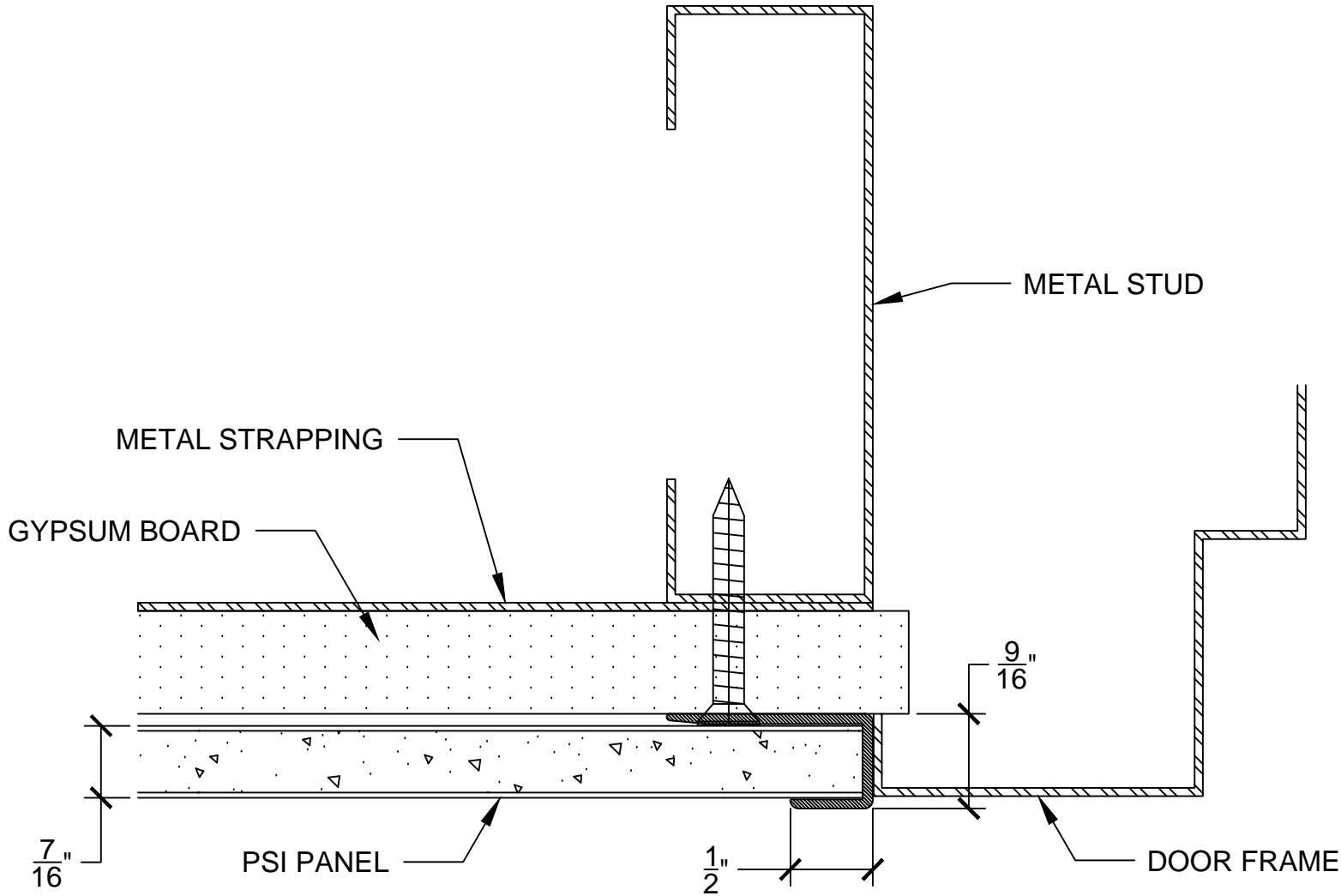
#304 VERTICAL EDGE TRIM

TOP VIEW



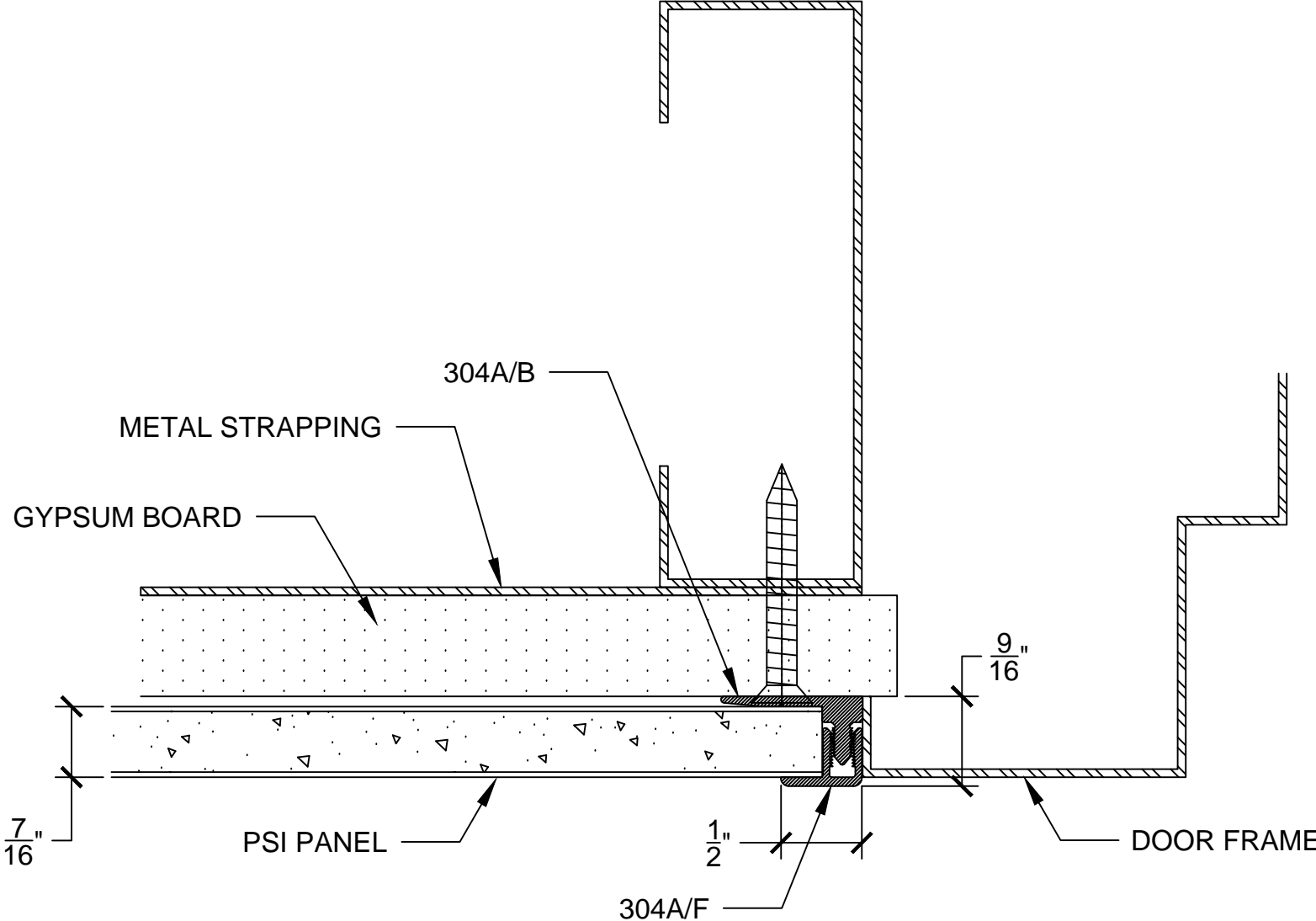
#304A VERTICAL EDGE TRIM

TOP VIEW



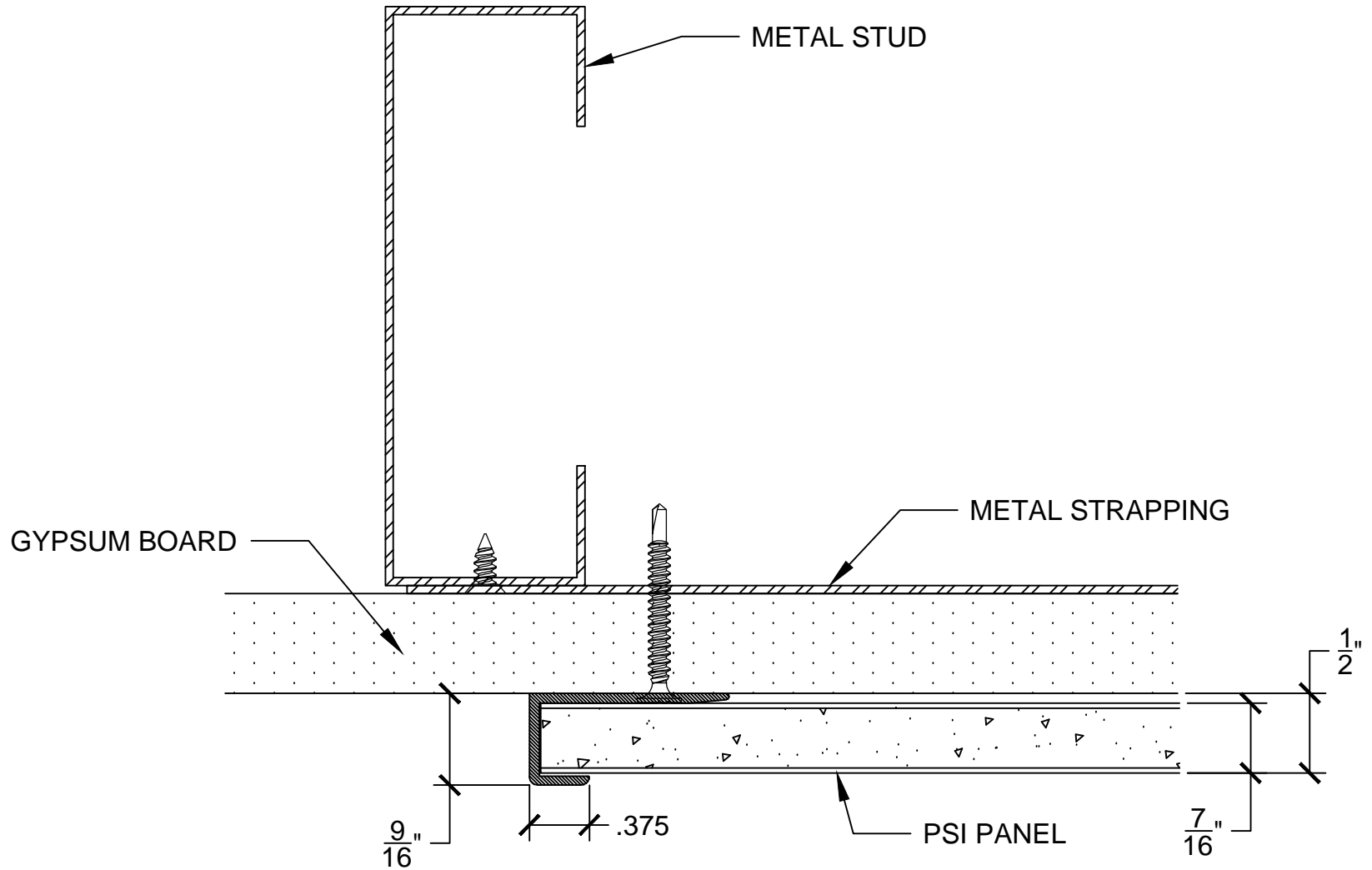
#304 EDGE TRIM @ DOOR OR WINDOW FRAME

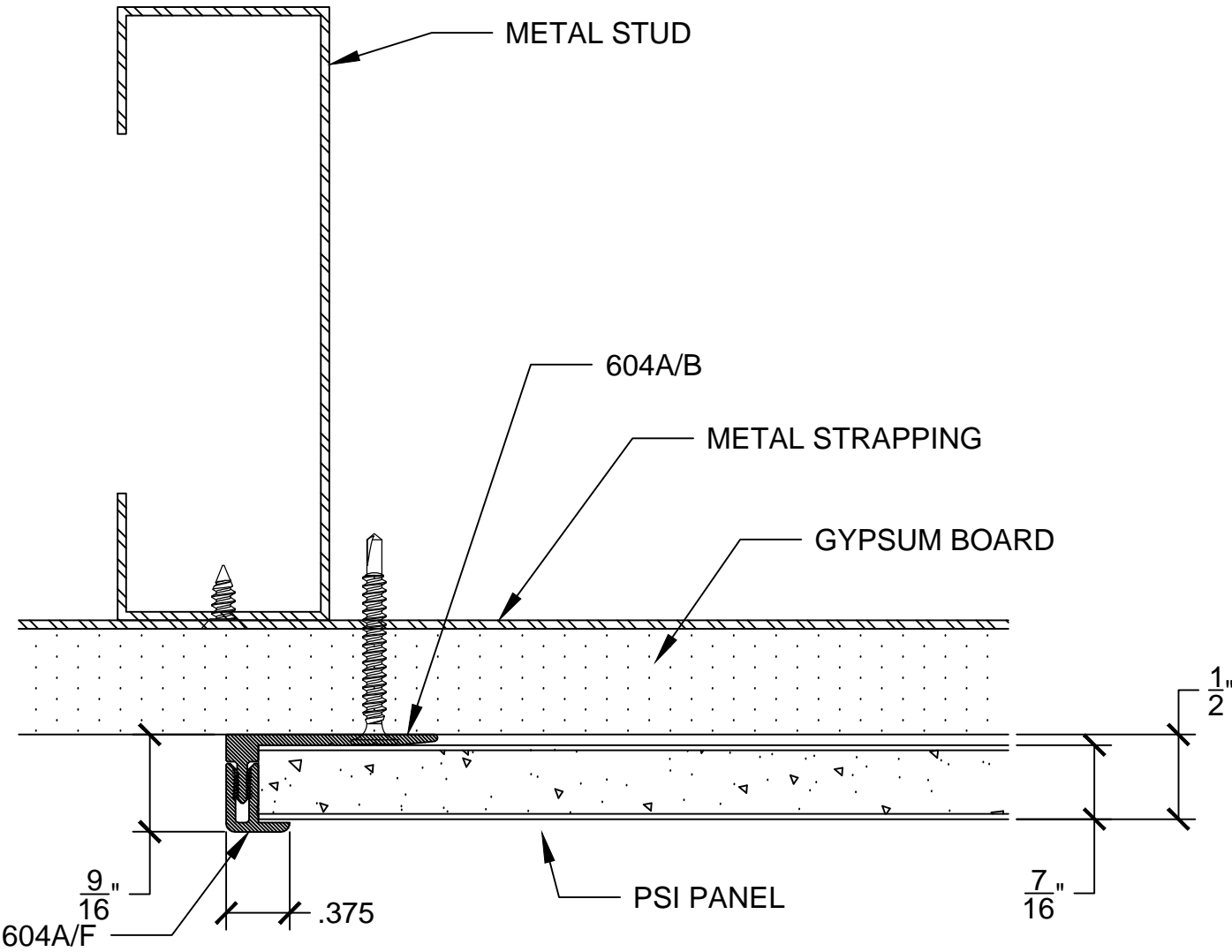
TOP VIEW



#304A EDGE TRIM @ DOOR OR WINDOW FRAME

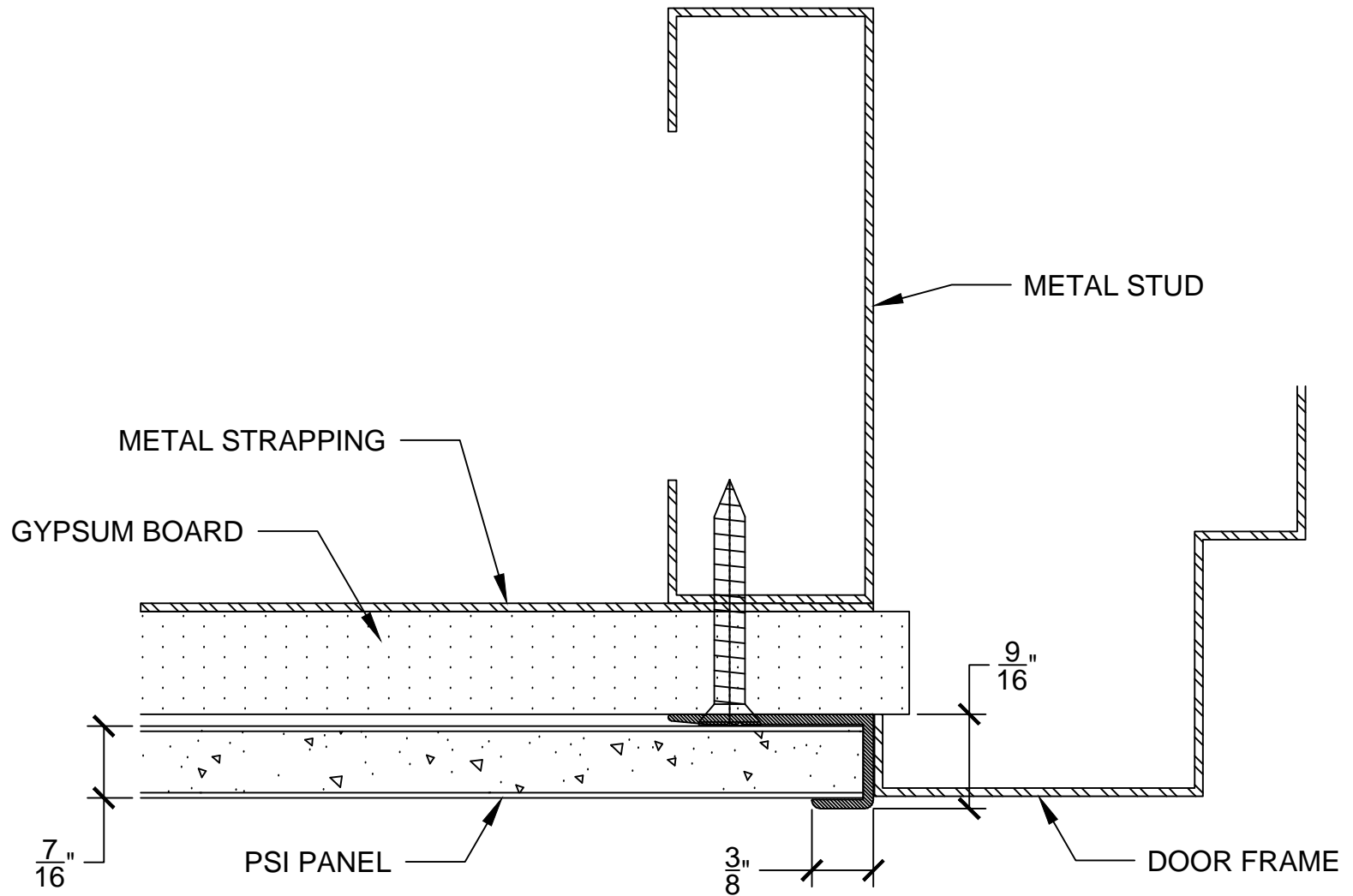
TOP VIEW





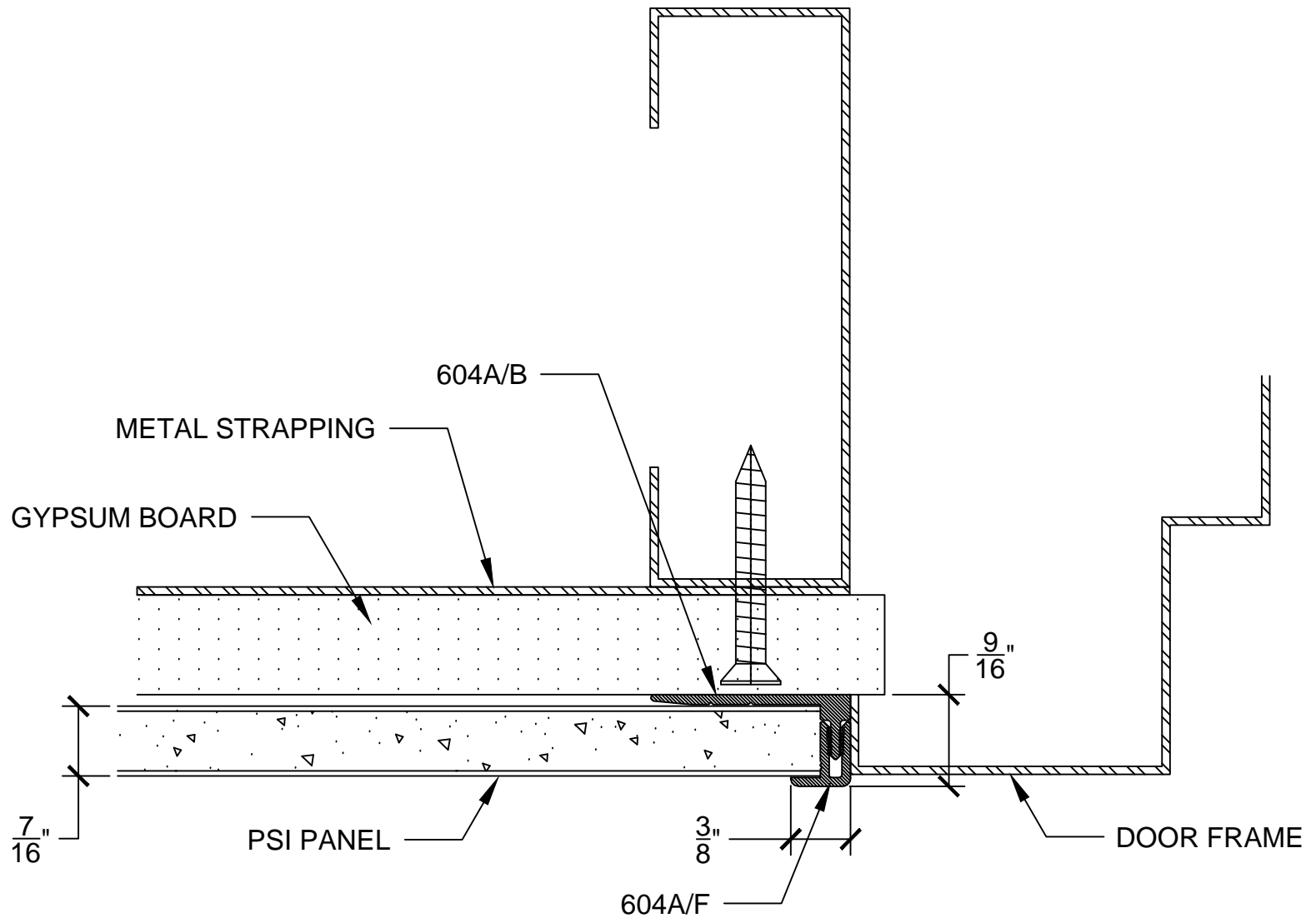
#604A VERTICAL EDGE TRIM

TOP VIEW



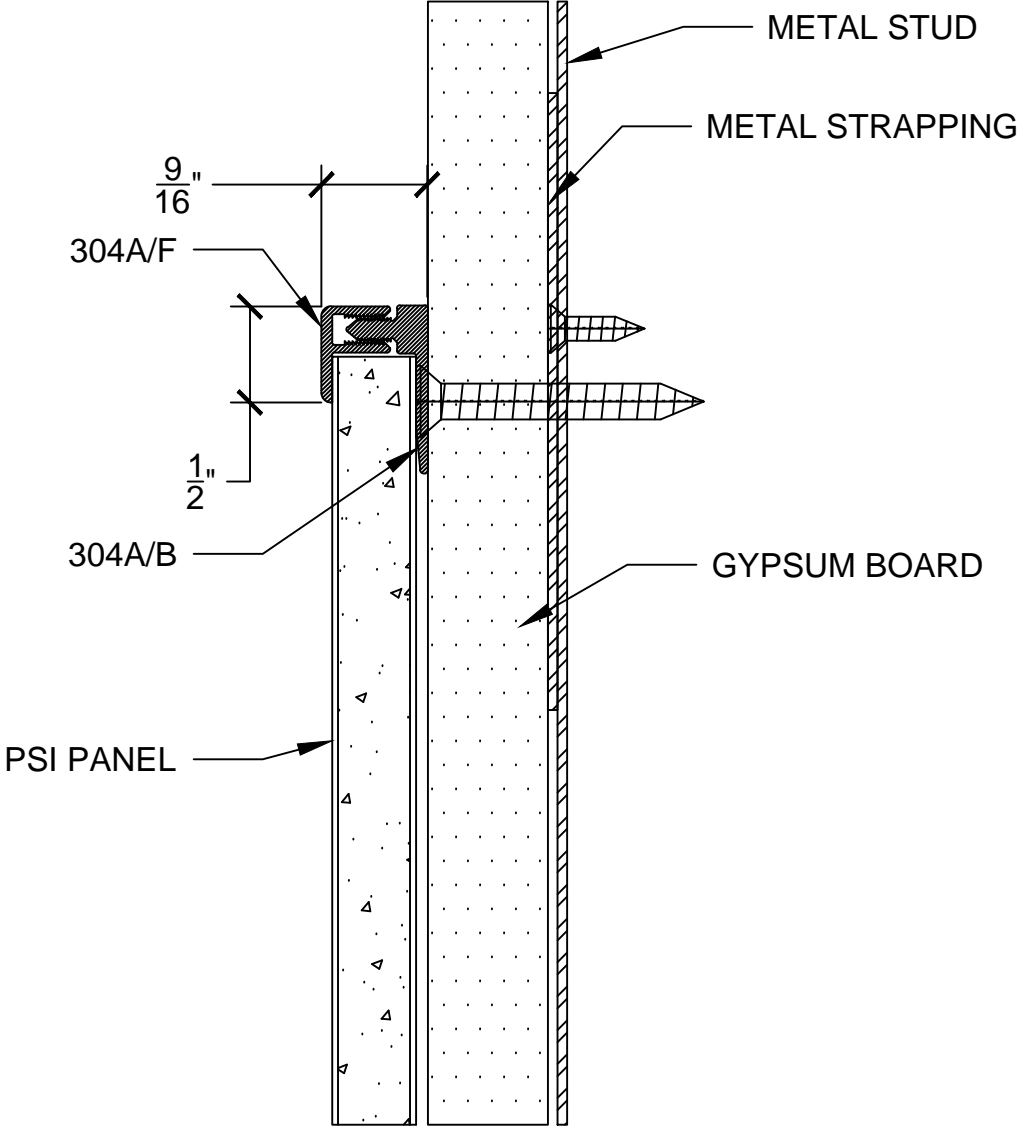
#604 EDGE TRIM @ DOOR OR WINDOW FRAME

TOP VIEW



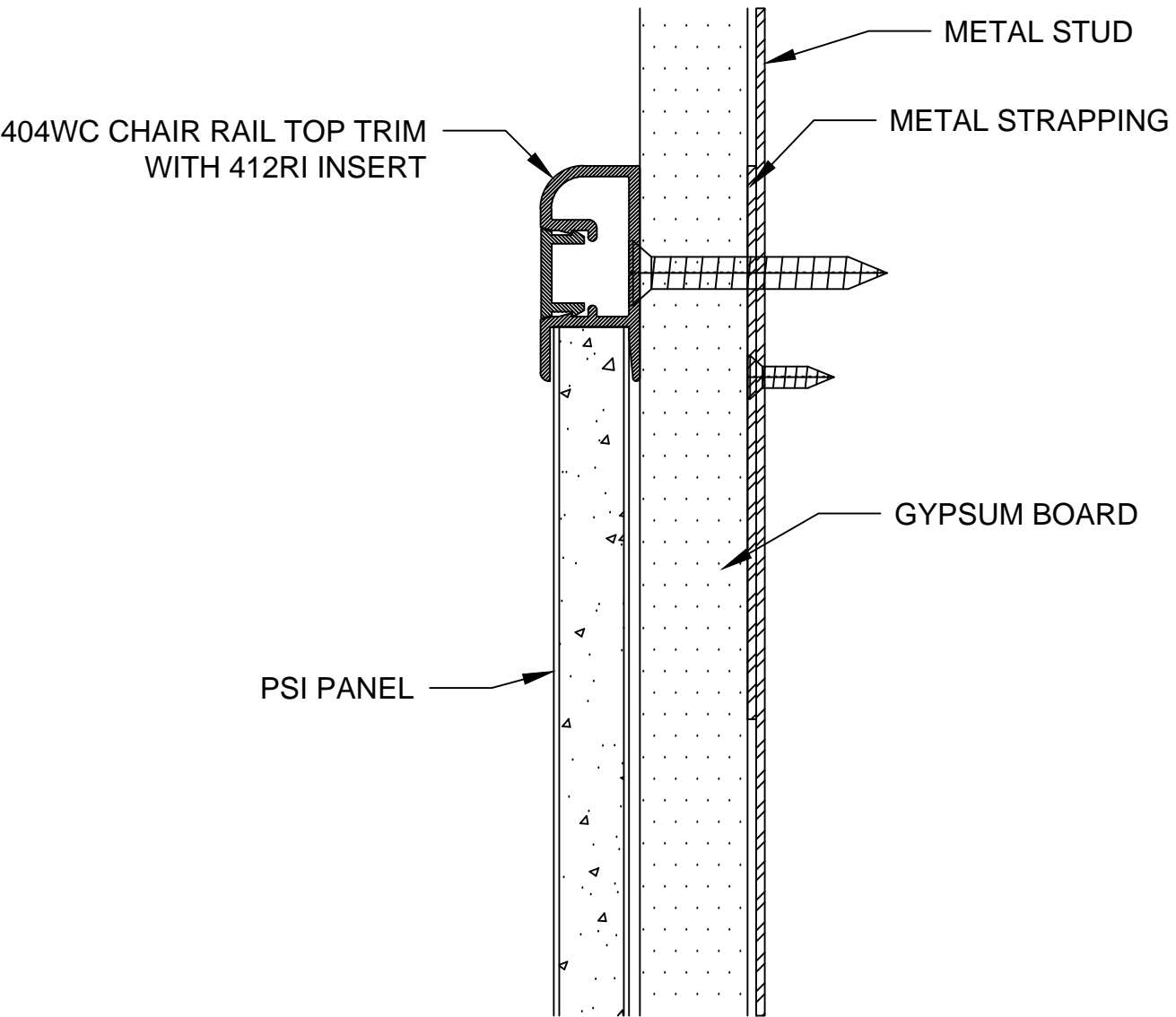
#604A EDGE TRIM @ DOOR OR WINDOW FRAME

TOP VIEW



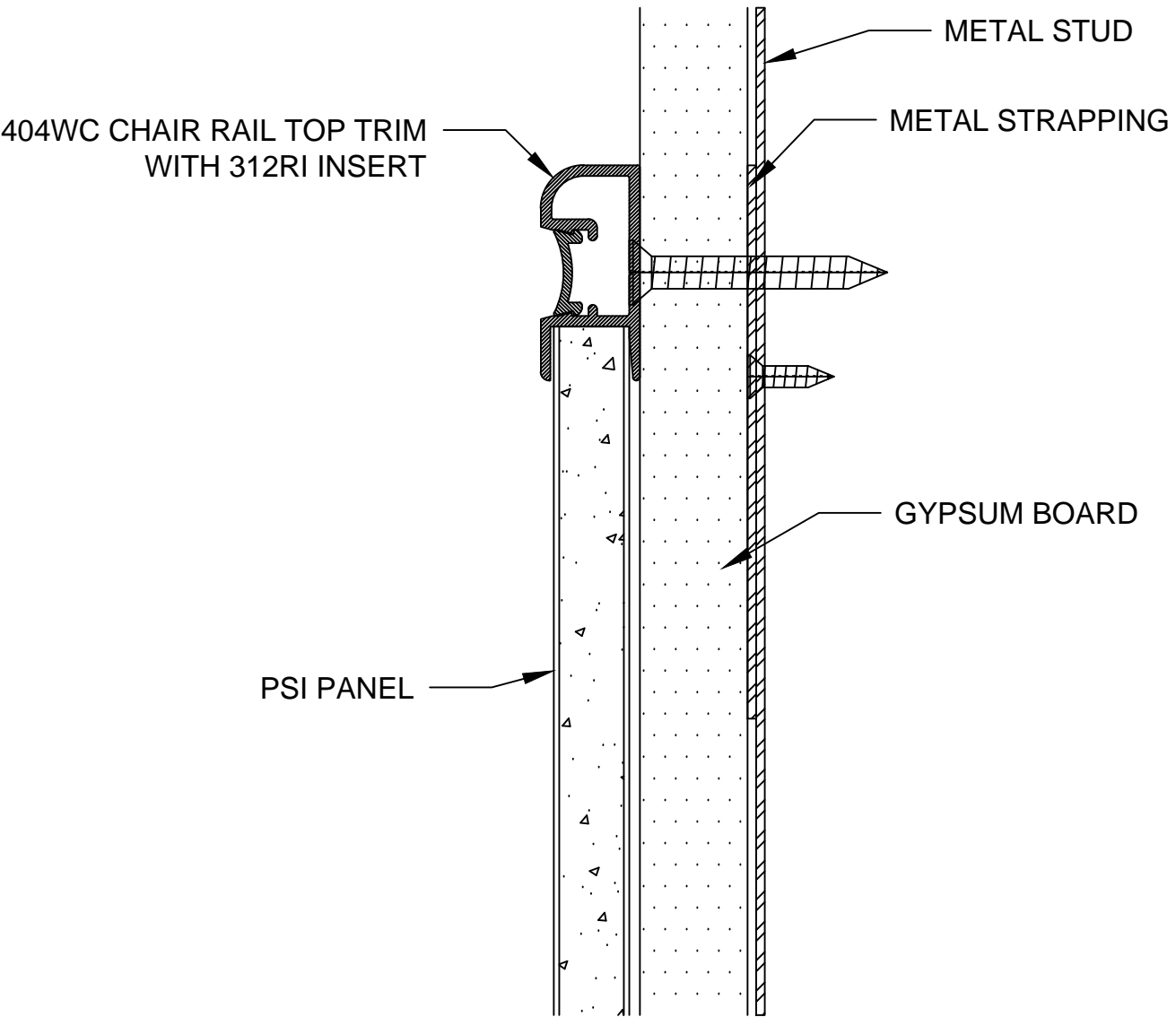
#304A TOP TRIM

RIGHT SIDE VIEW



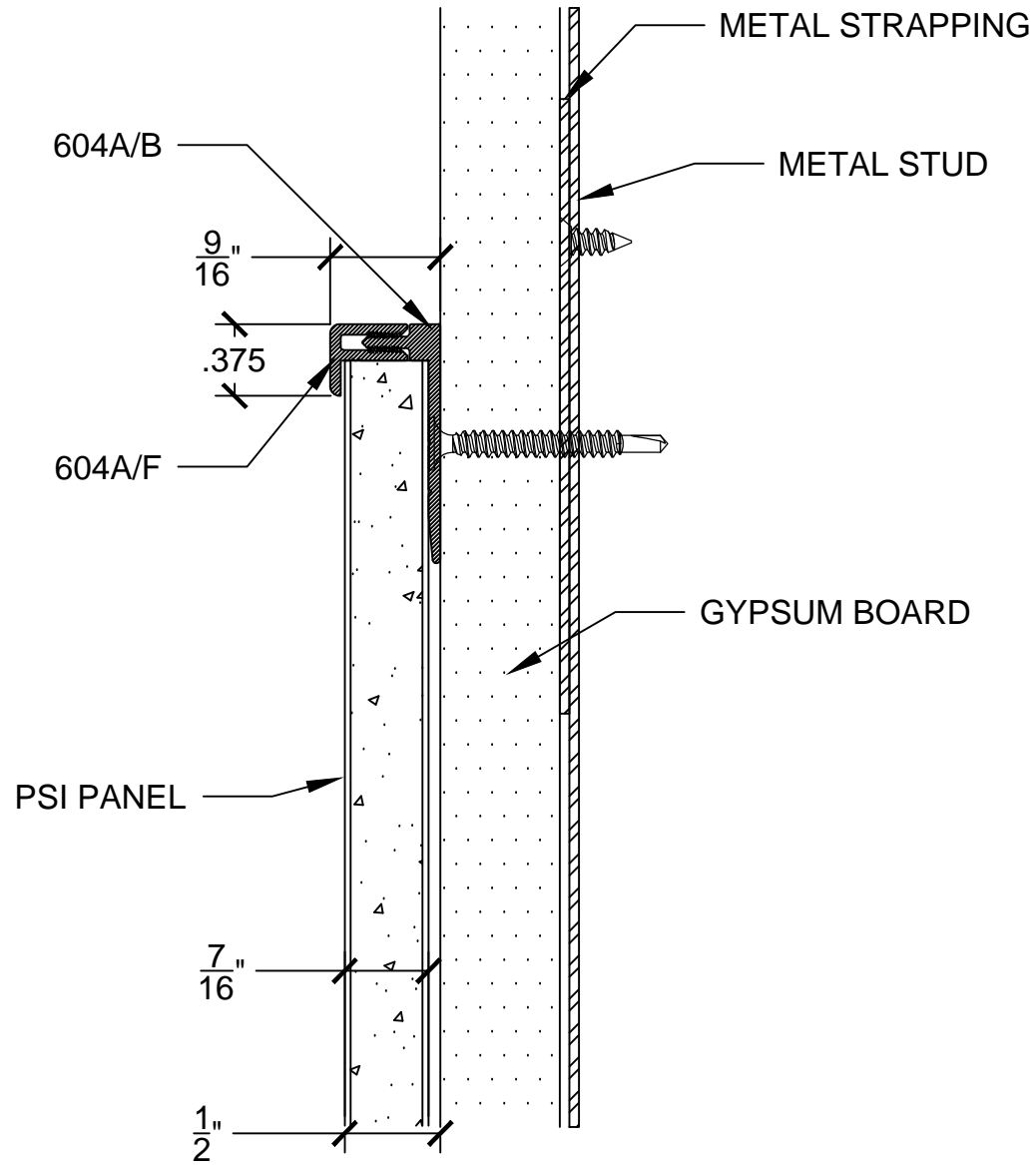
404WC WAINSCOT CHAIR RAIL TOP TRIM

RIGHT SIDE VIEW



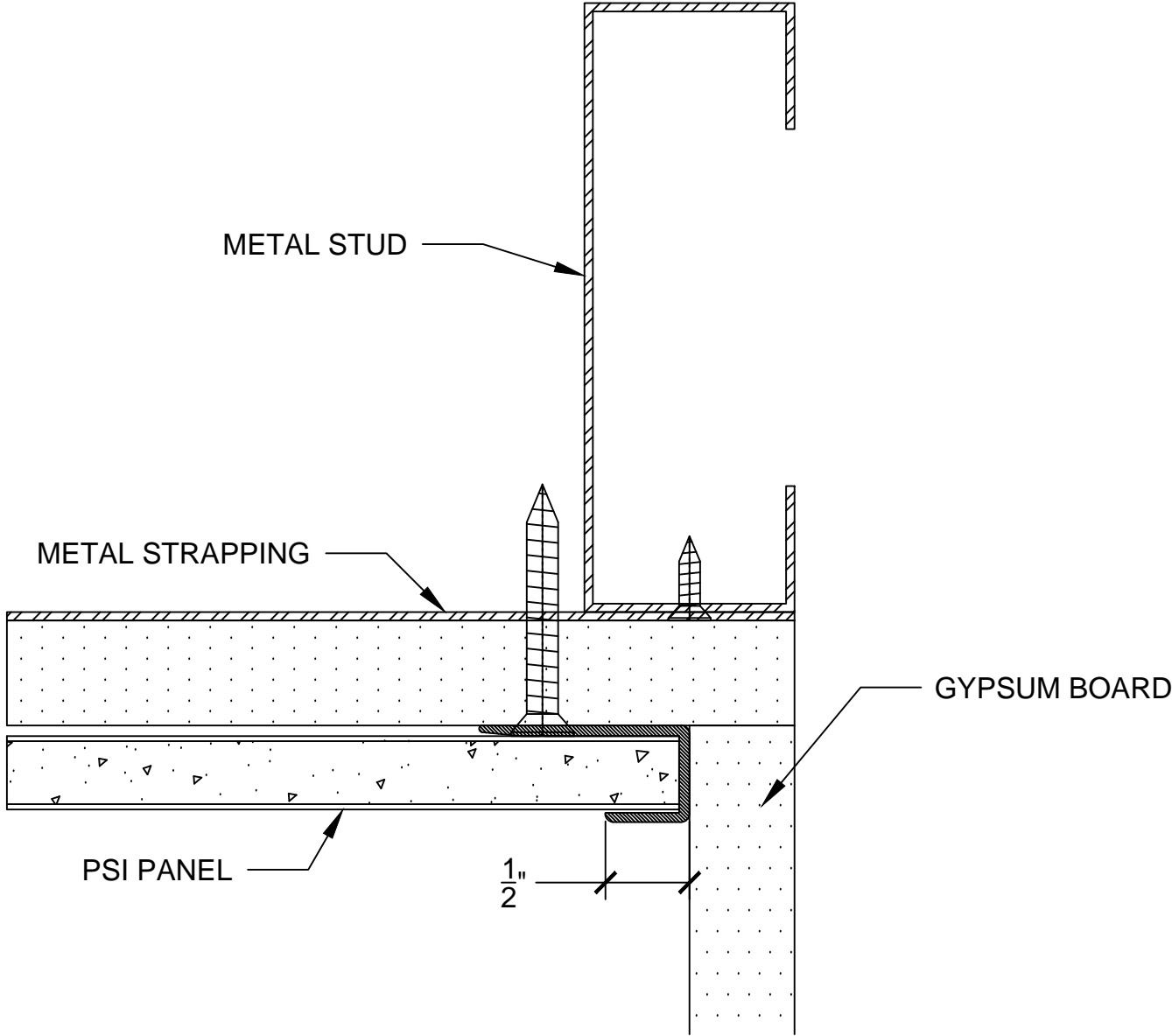
404WC WAINSCOT CHAIR RAIL TOP TRIM

RIGHT SIDE VIEW



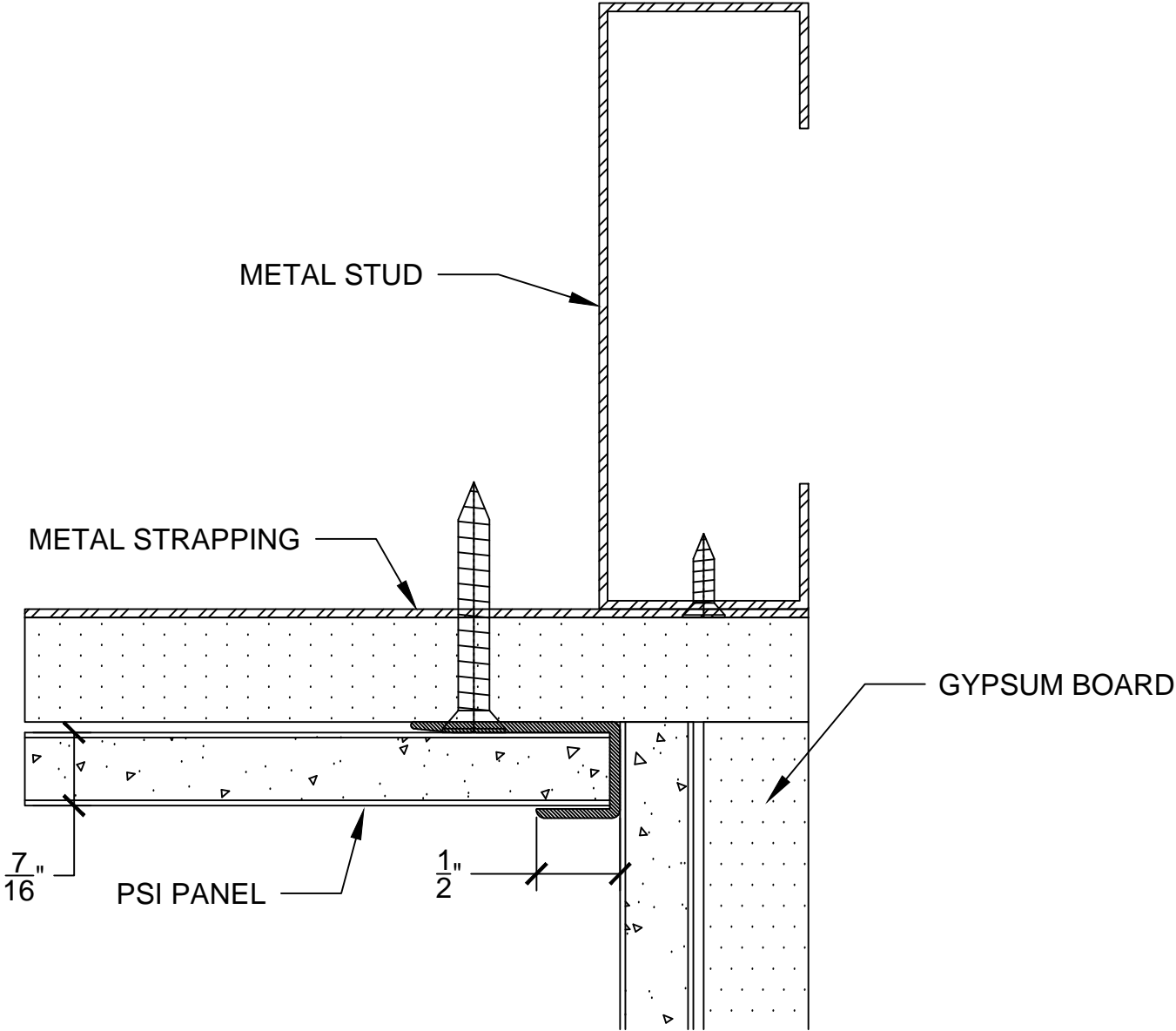
#604A TOP TRIM

RIGHT SIDE VIEW



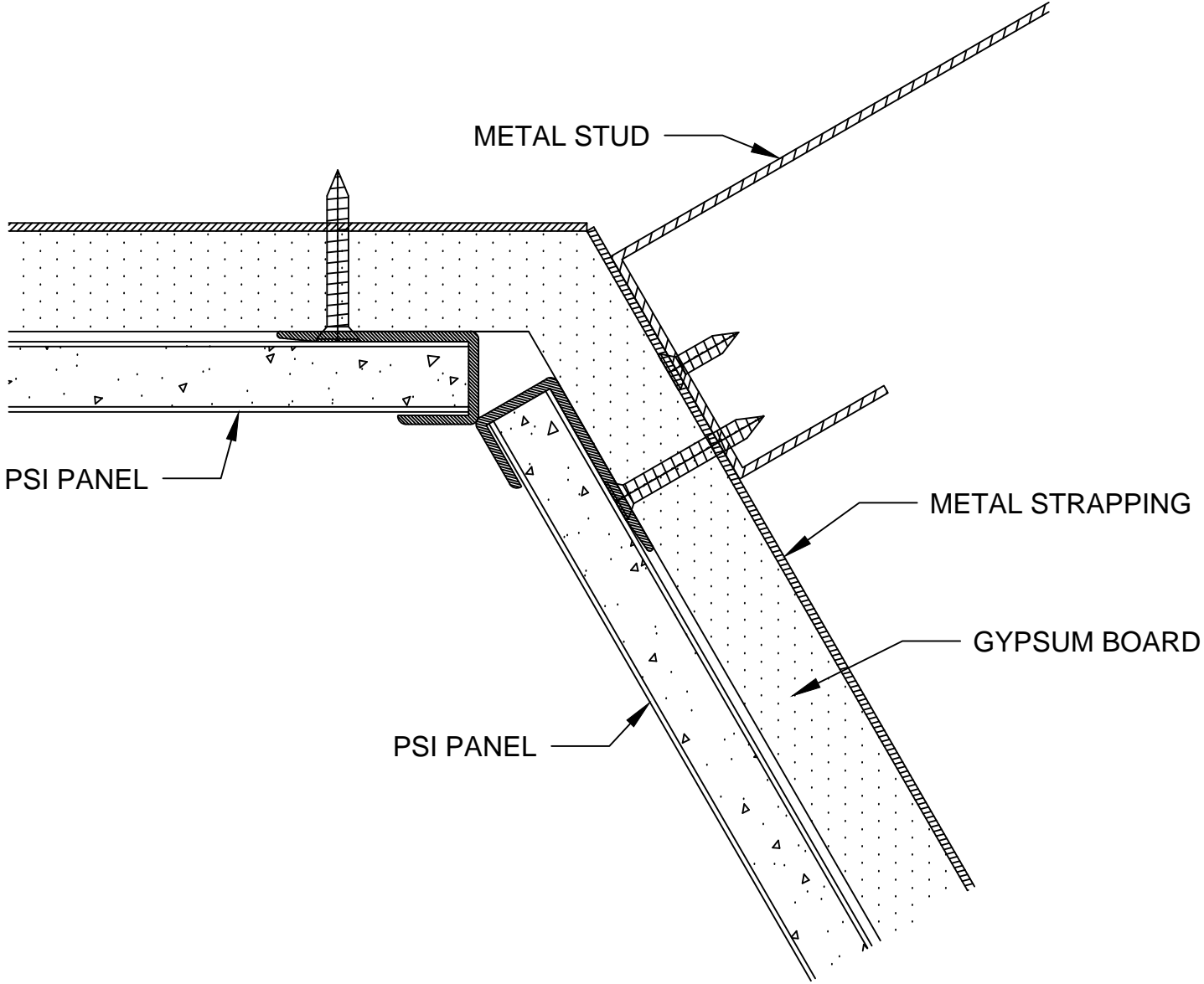
#304 INSIDE CORNER

TOP VIEW



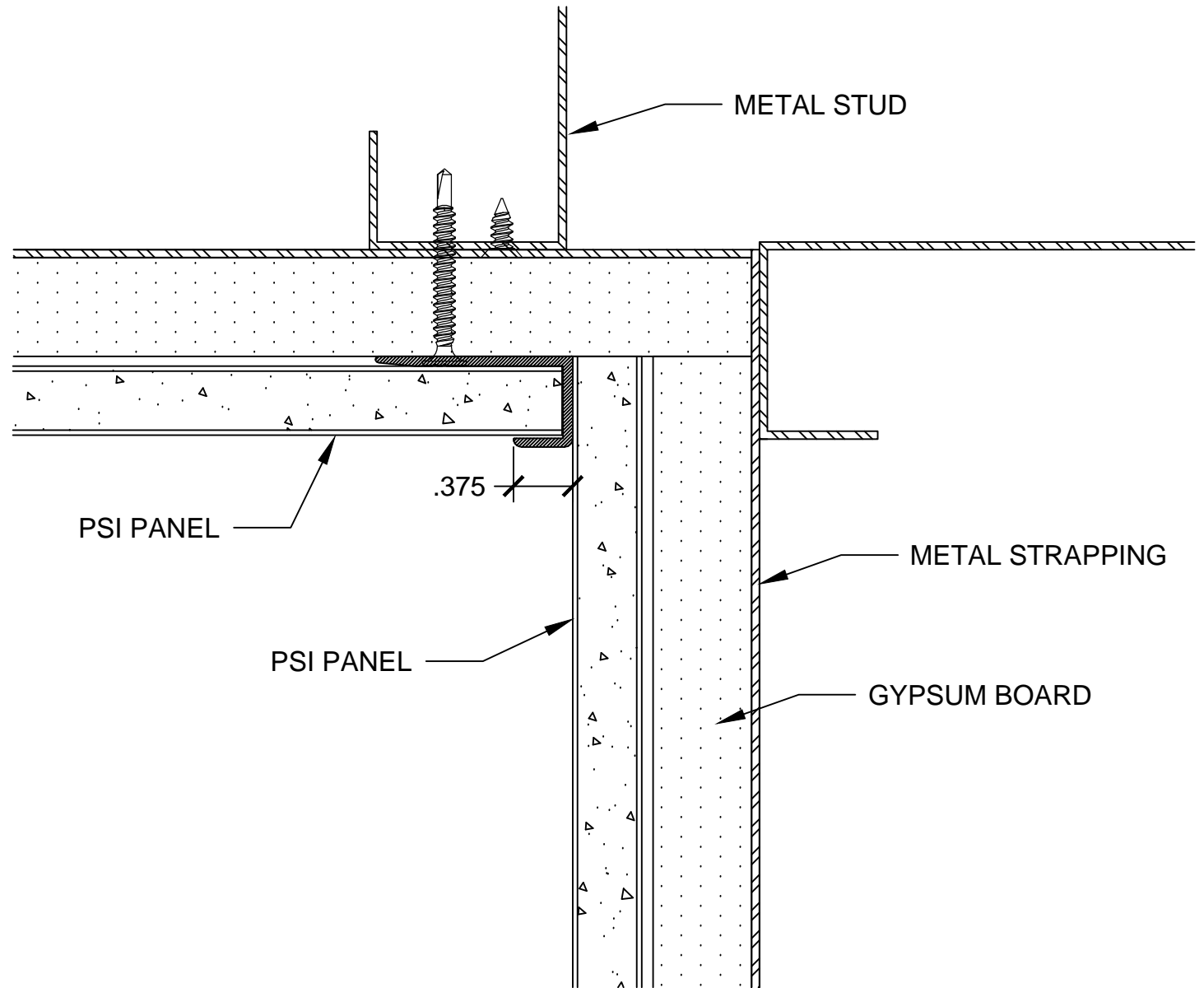
#304 INSIDE CORNER

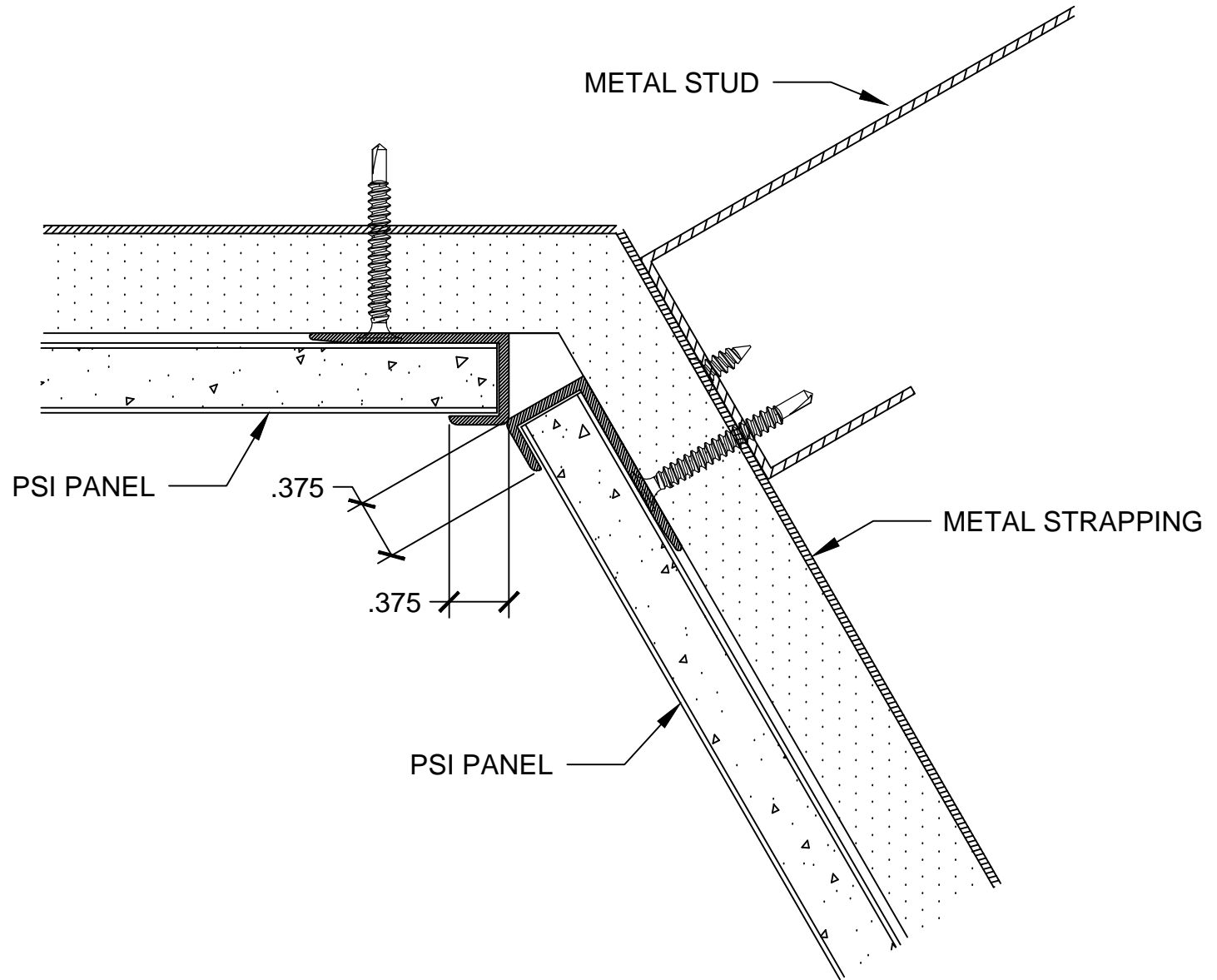
TOP VIEW



#304 ANGLED INSIDE CORNER

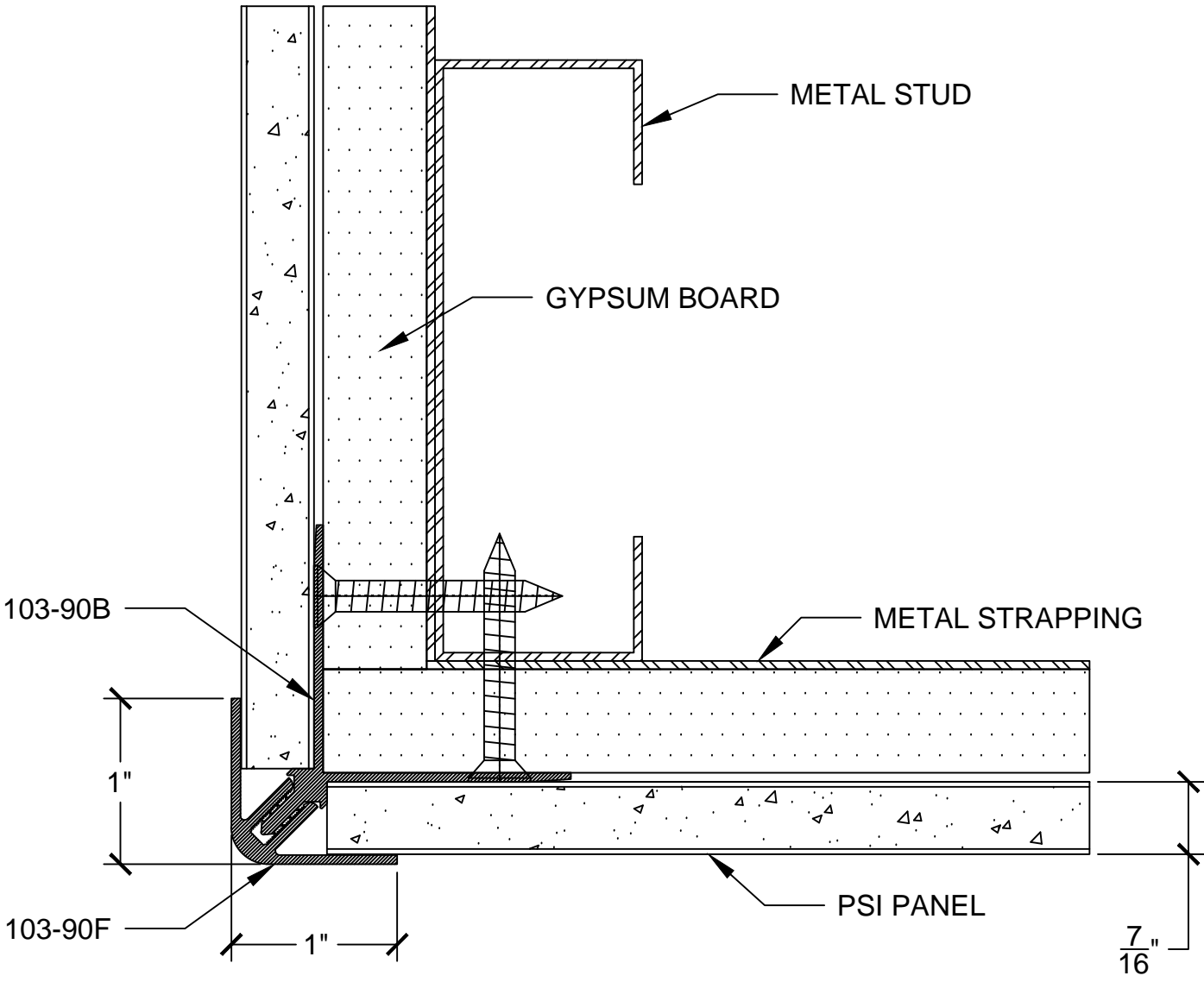
TOP VIEW





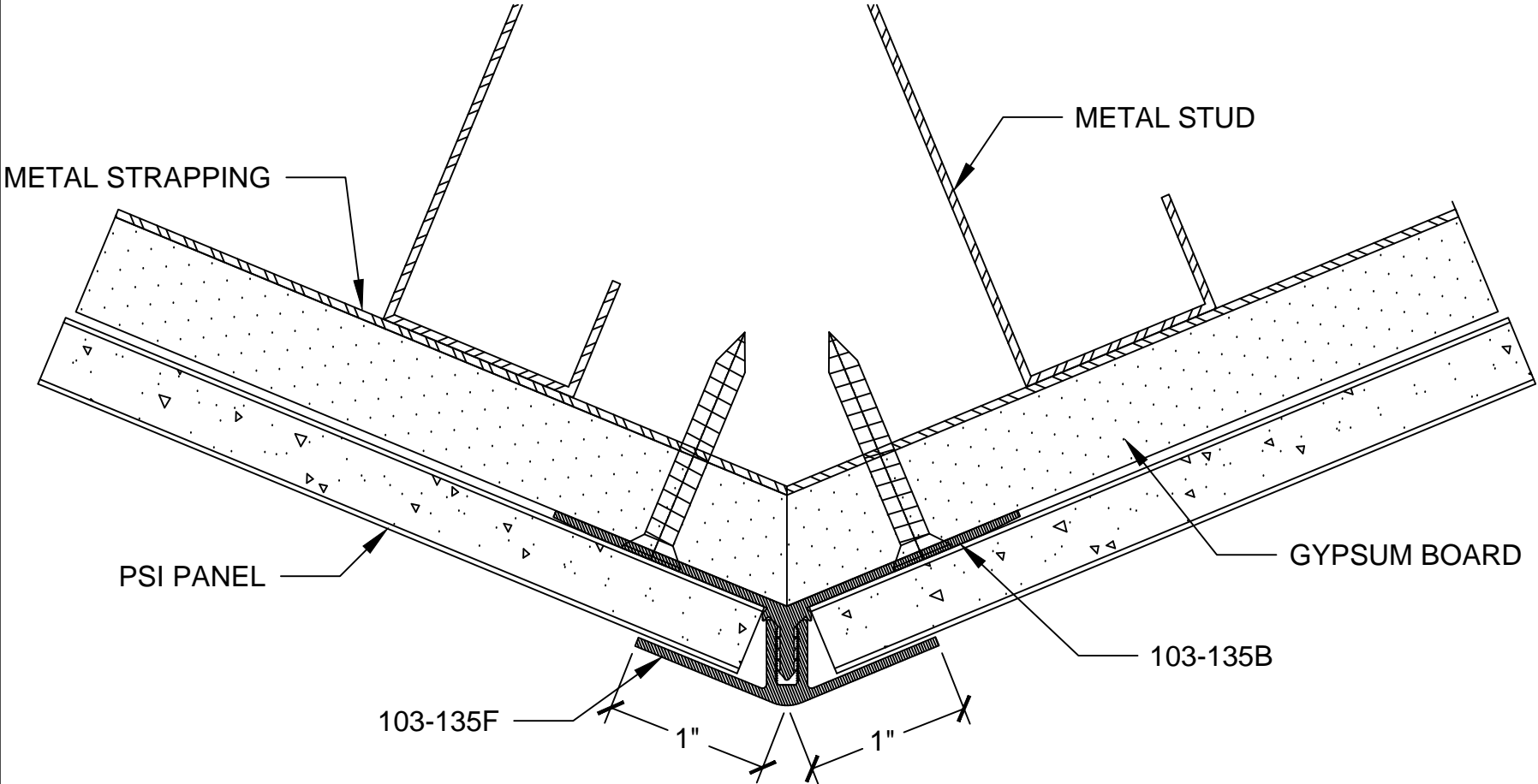
#604 ANGLED INSIDE CORNER

TOP VIEW



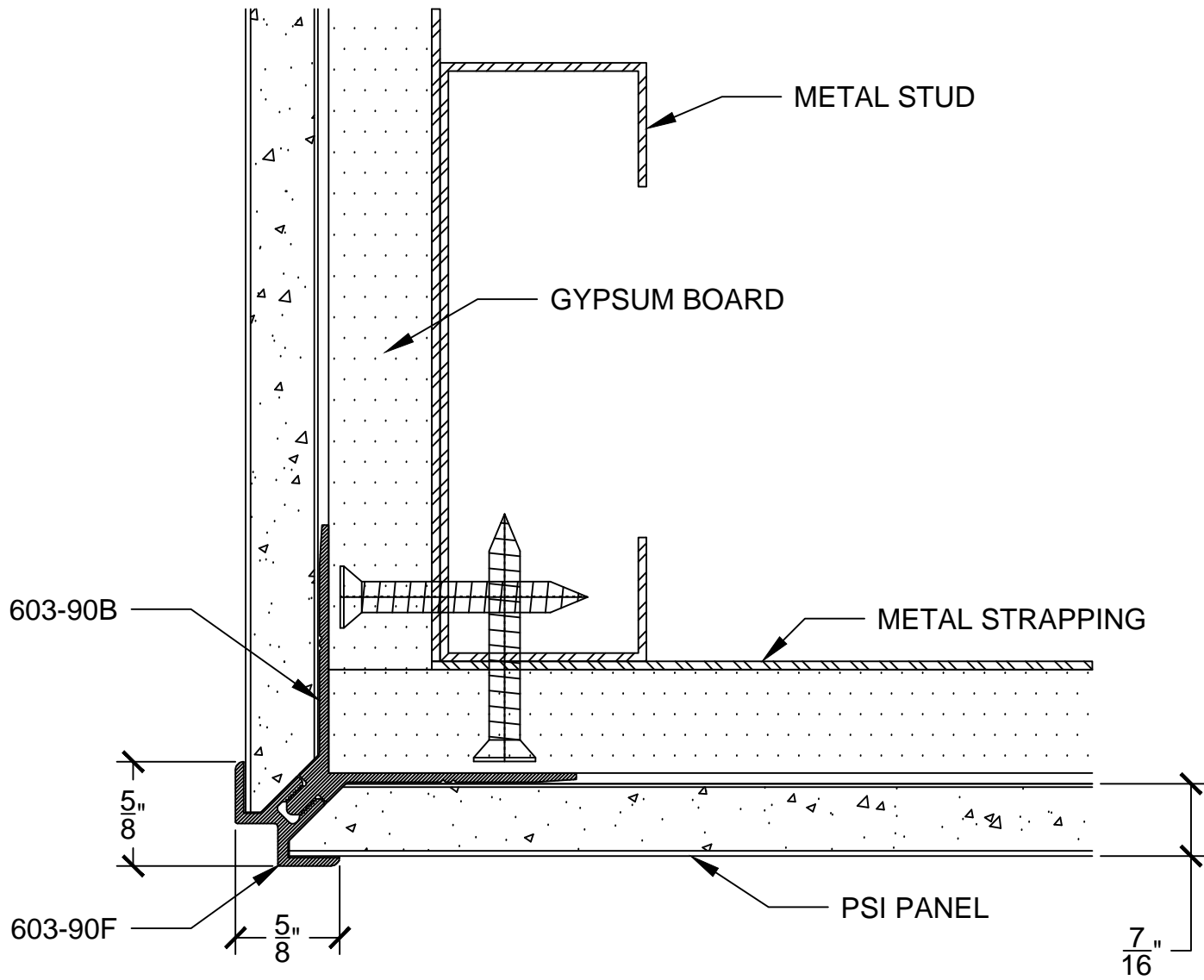
#103-90 OUTSIDE CORNER

TOP VIEW



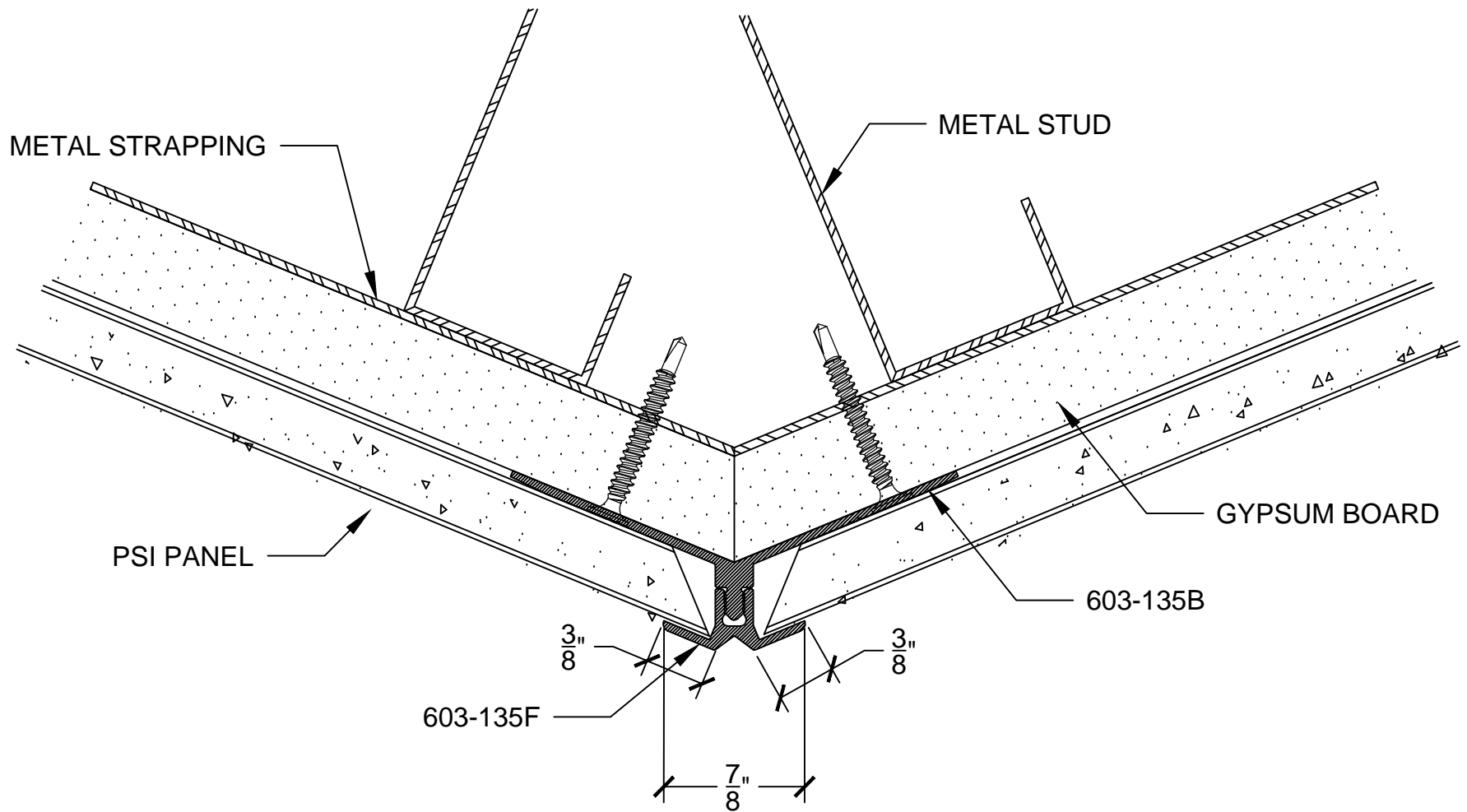
#103-135 OUTSIDE CORNER

TOP VIEW



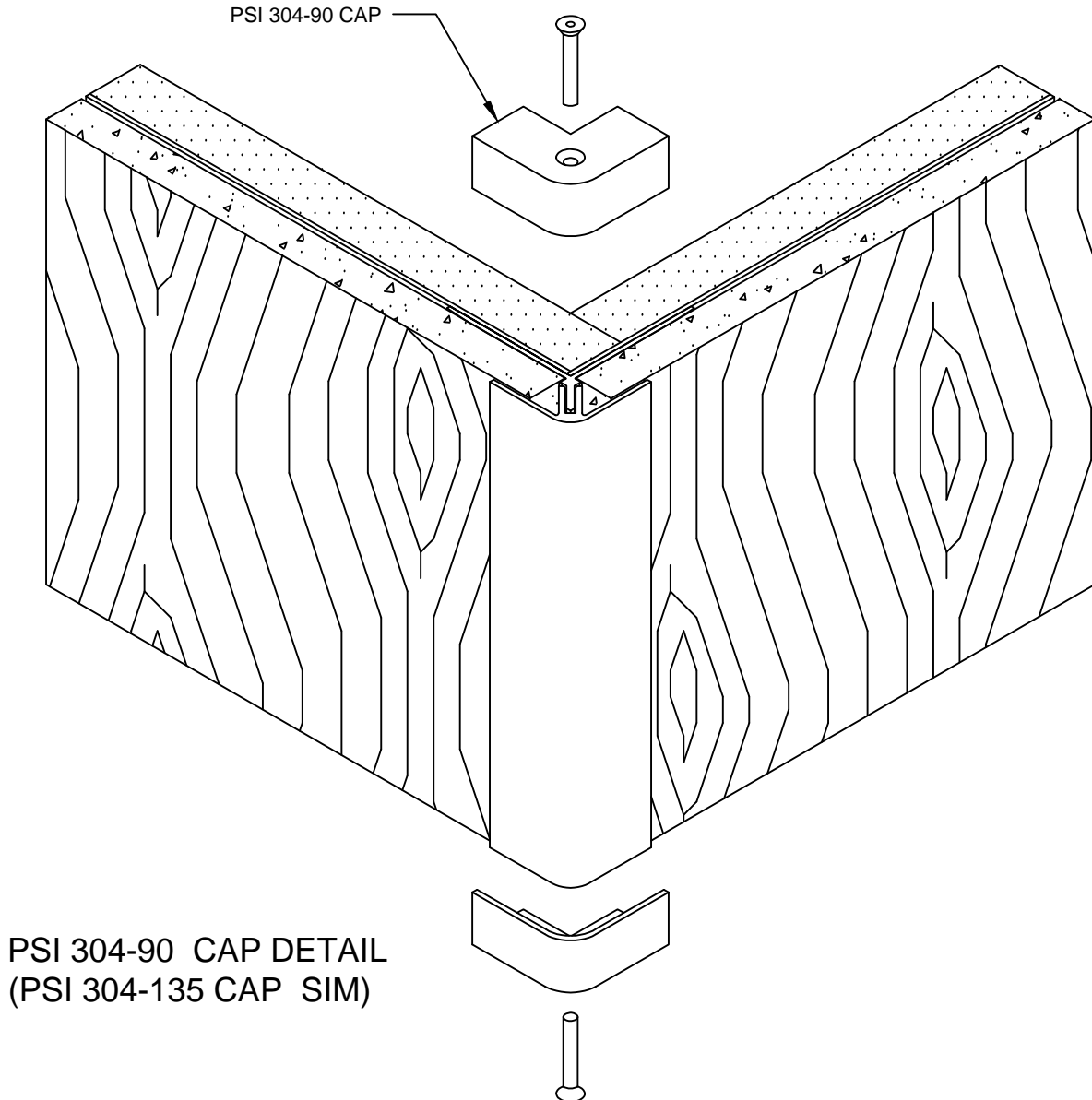
#603-90 OUTSIDE CORNER

TOP VIEW

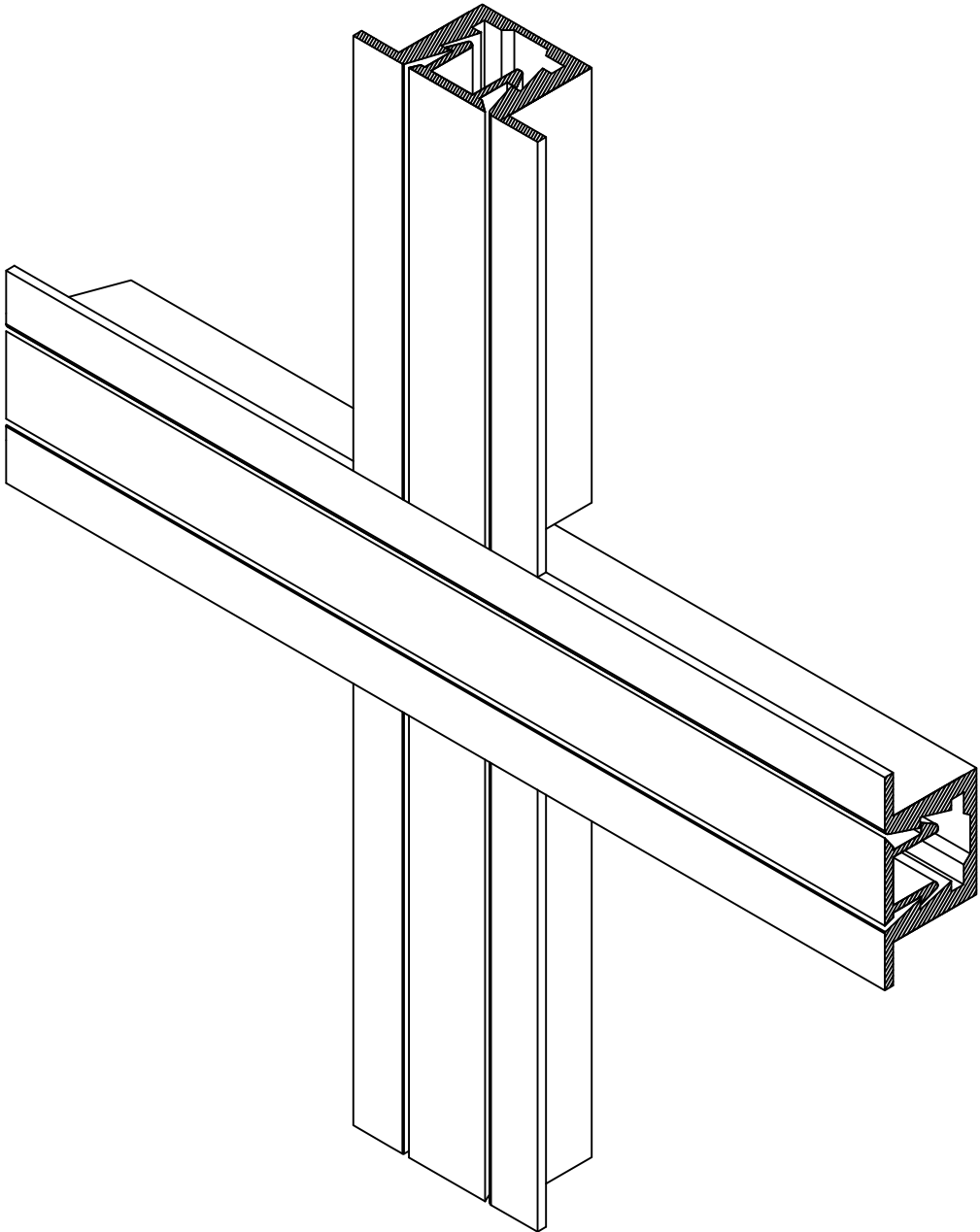


#603-135 OUTSIDE CORNER

TOP VIEW



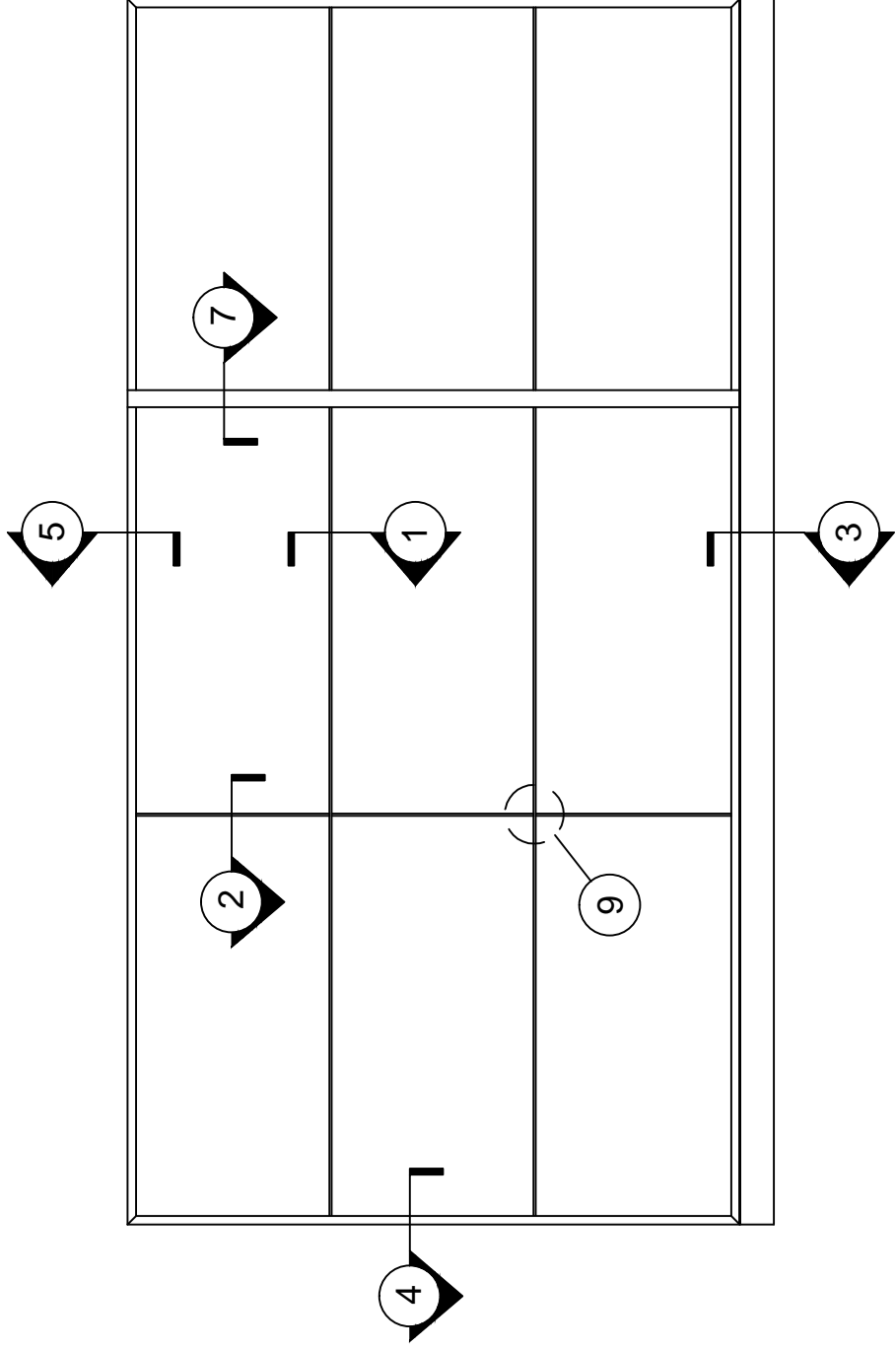
PSI 304-90 CAP DETAIL
(PSI 304-135 CAP SIM)



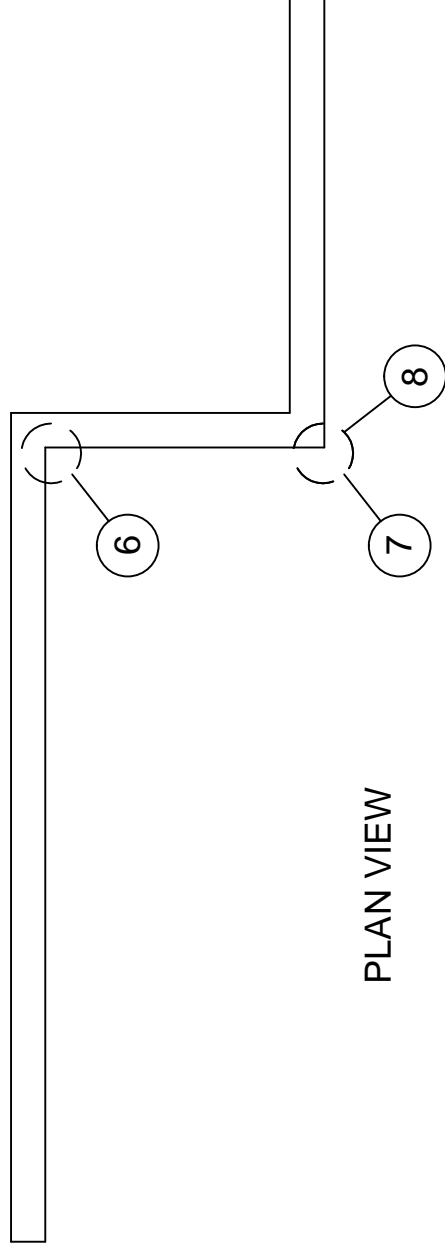
#412 REVEAL INTERSECTION DETAIL

ISOMETRIC VIEW

PANEL SPECIALISTS INC.
WALL PANEL SYSTEM 410



ELEVATION VIEW



PLAN VIEW