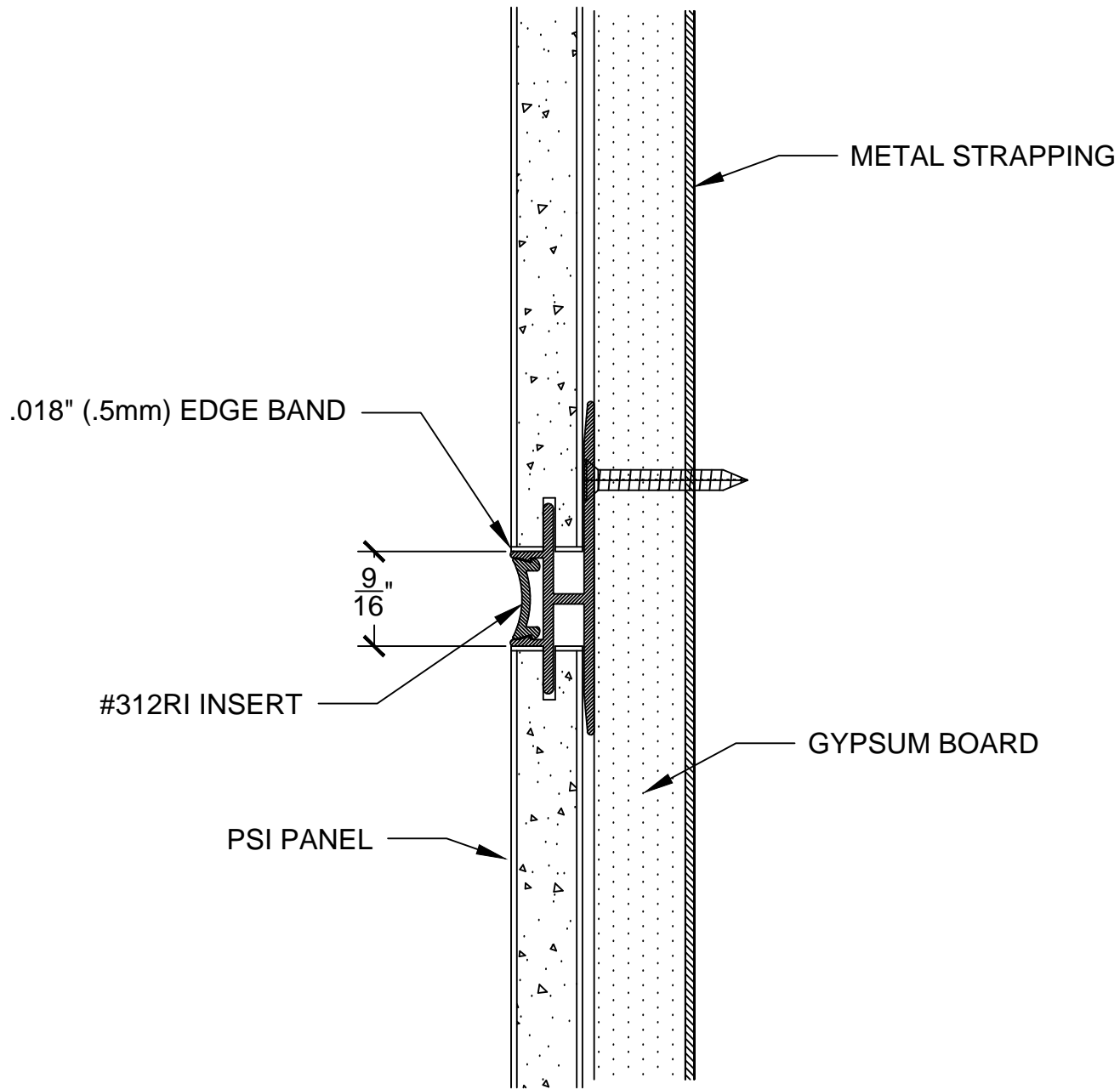


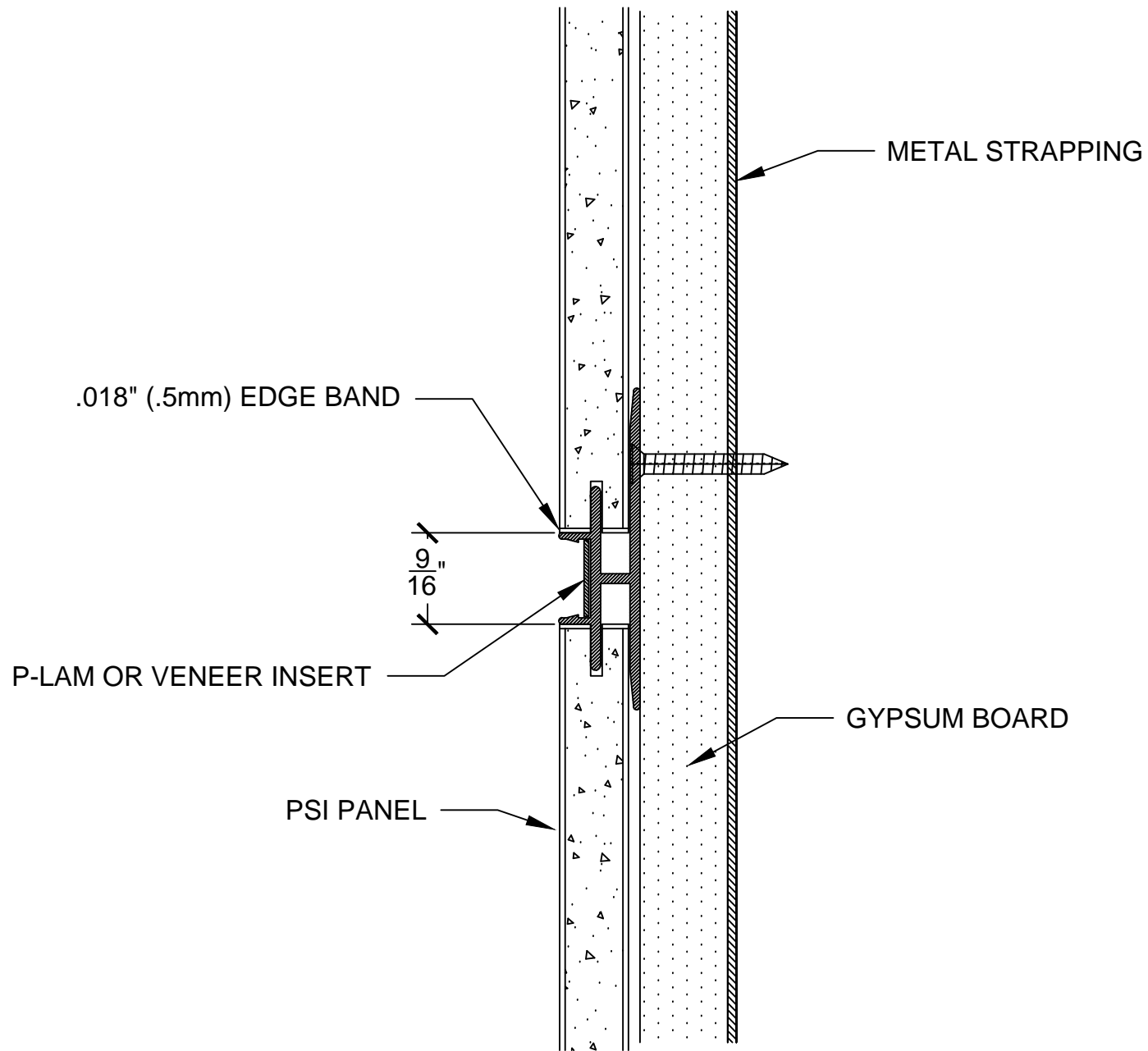
#312 HORIZONTAL REVEAL / DIVIDER

RIGHT SIDE VIEW



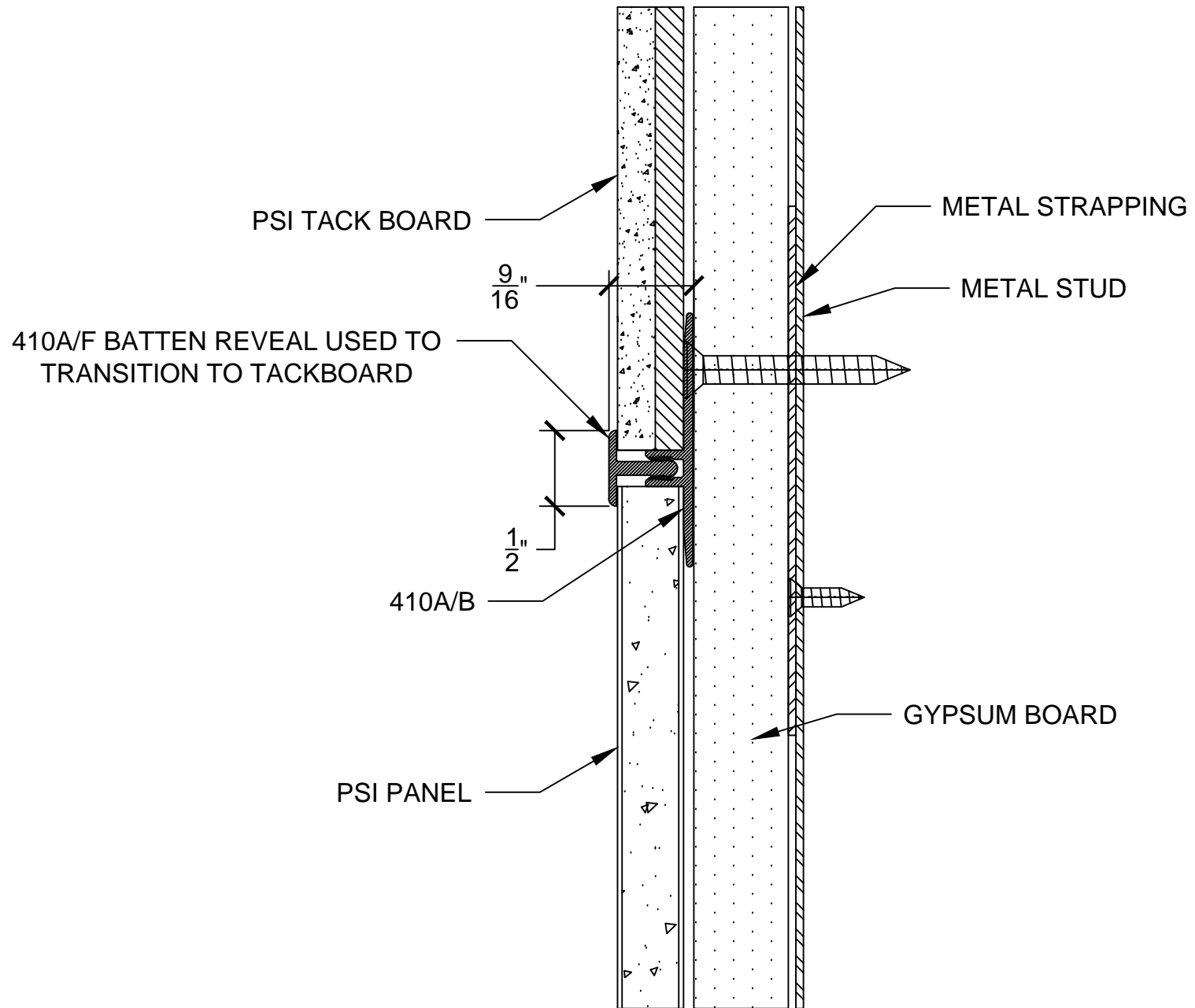
#312 HORIZONTAL REVEAL / DIVIDER

RIGHT SIDE VIEW



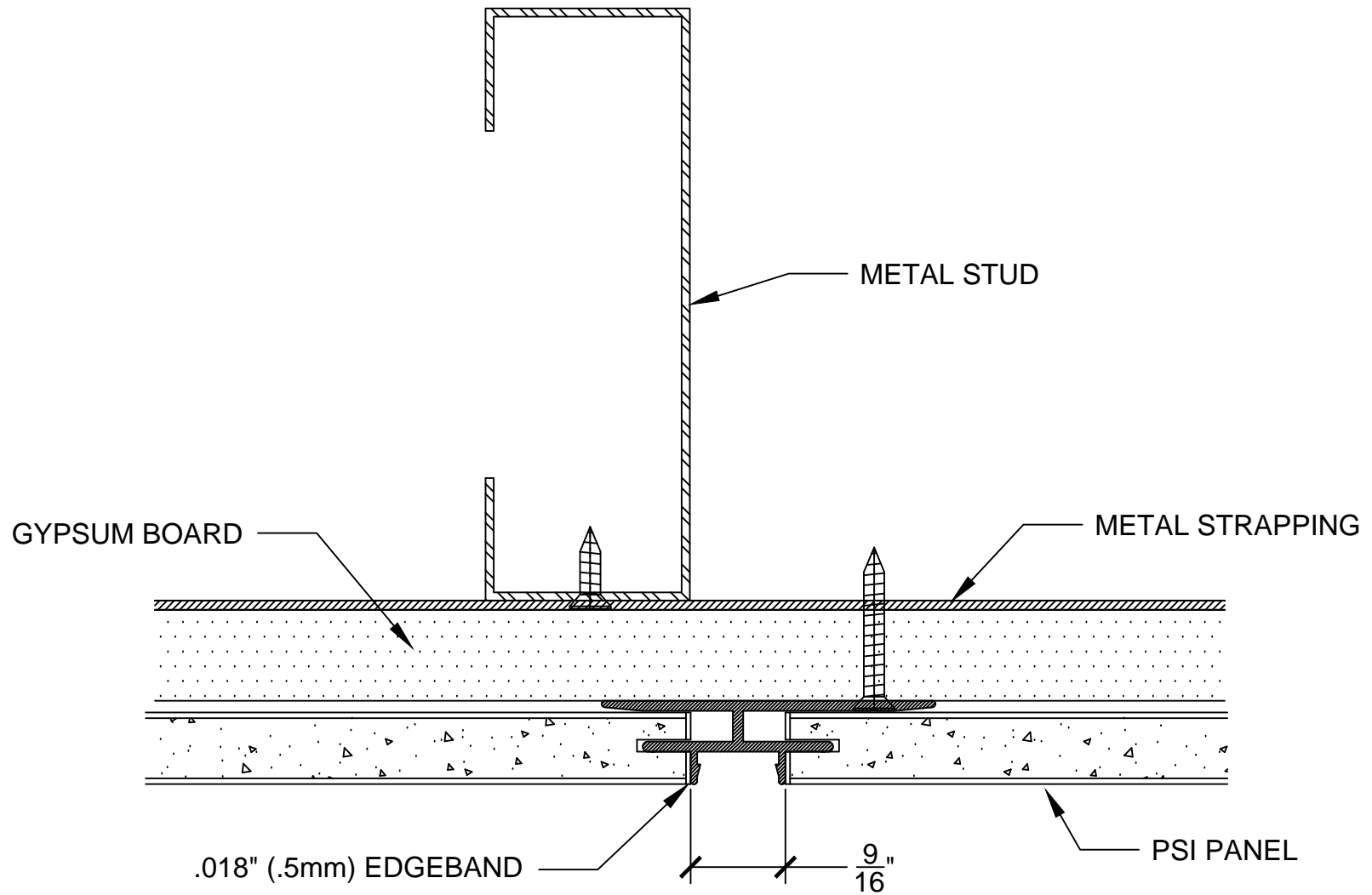
#312 HORIZONTAL REVEAL / DIVIDER

RIGHT SIDE VIEW



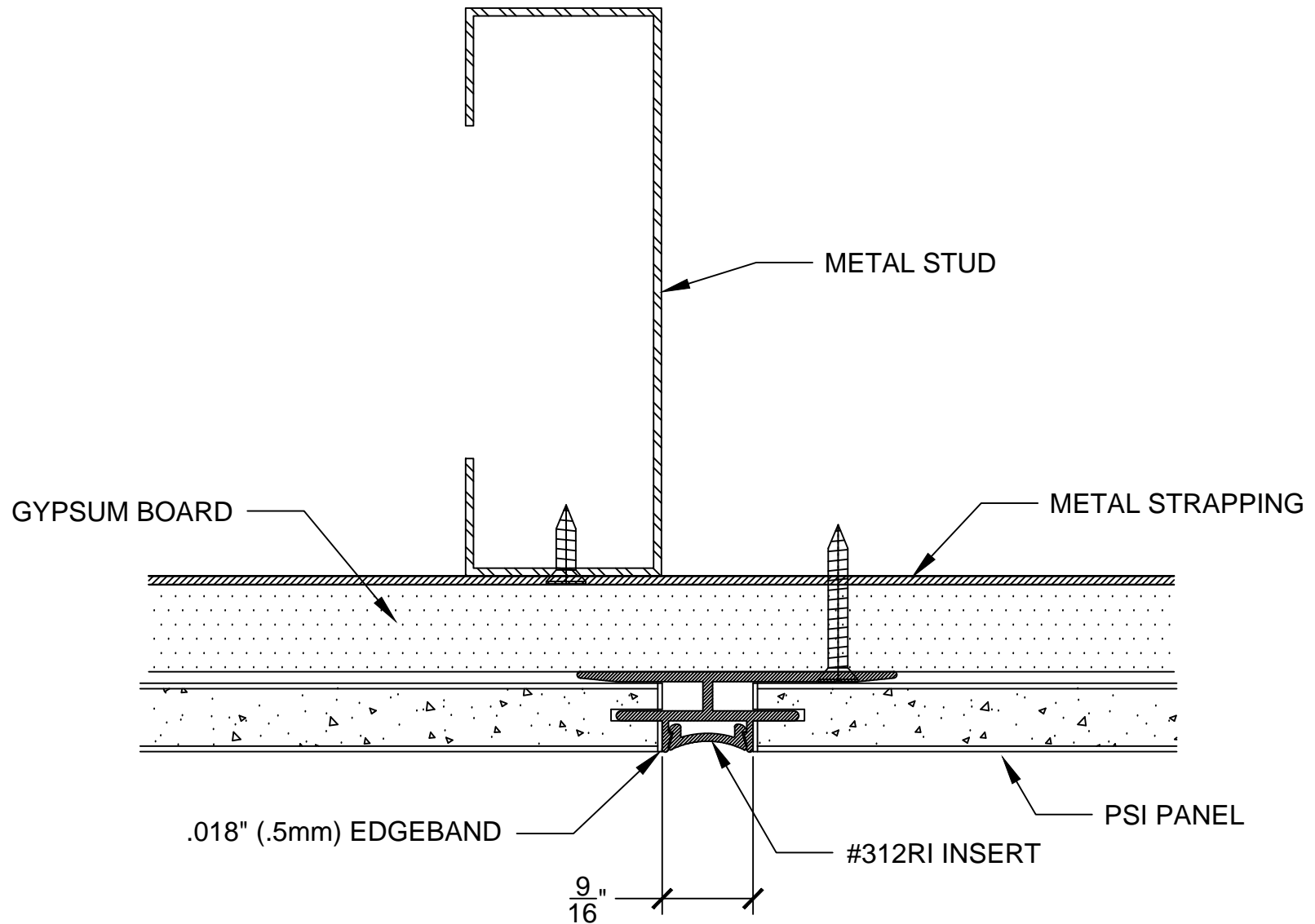
#410A HORIZONTAL BATTEN / DIVIDER

RIGHT SIDE VIEW



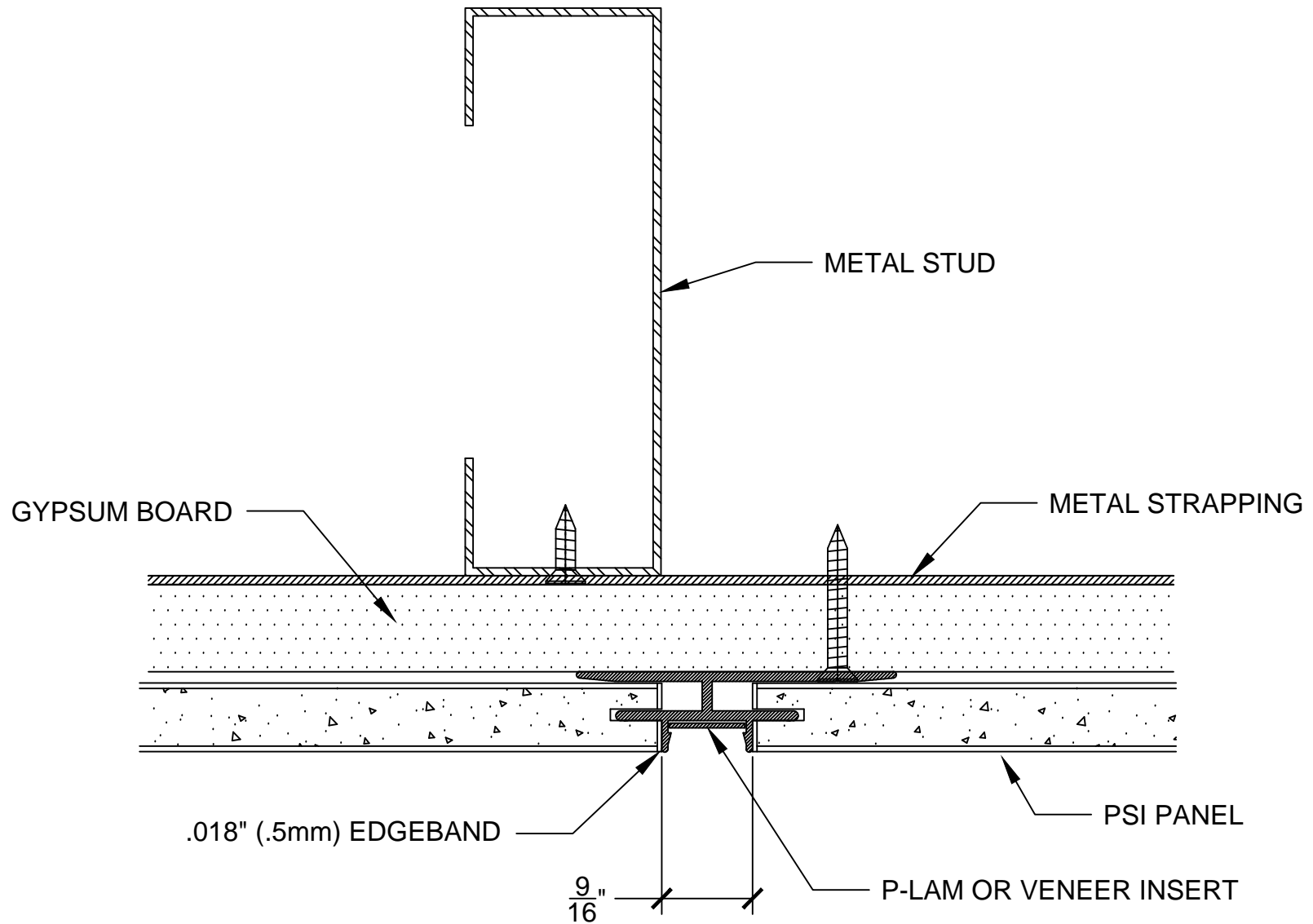
#312 VERTICAL REVEAL / DIVIDER

TOP VIEW



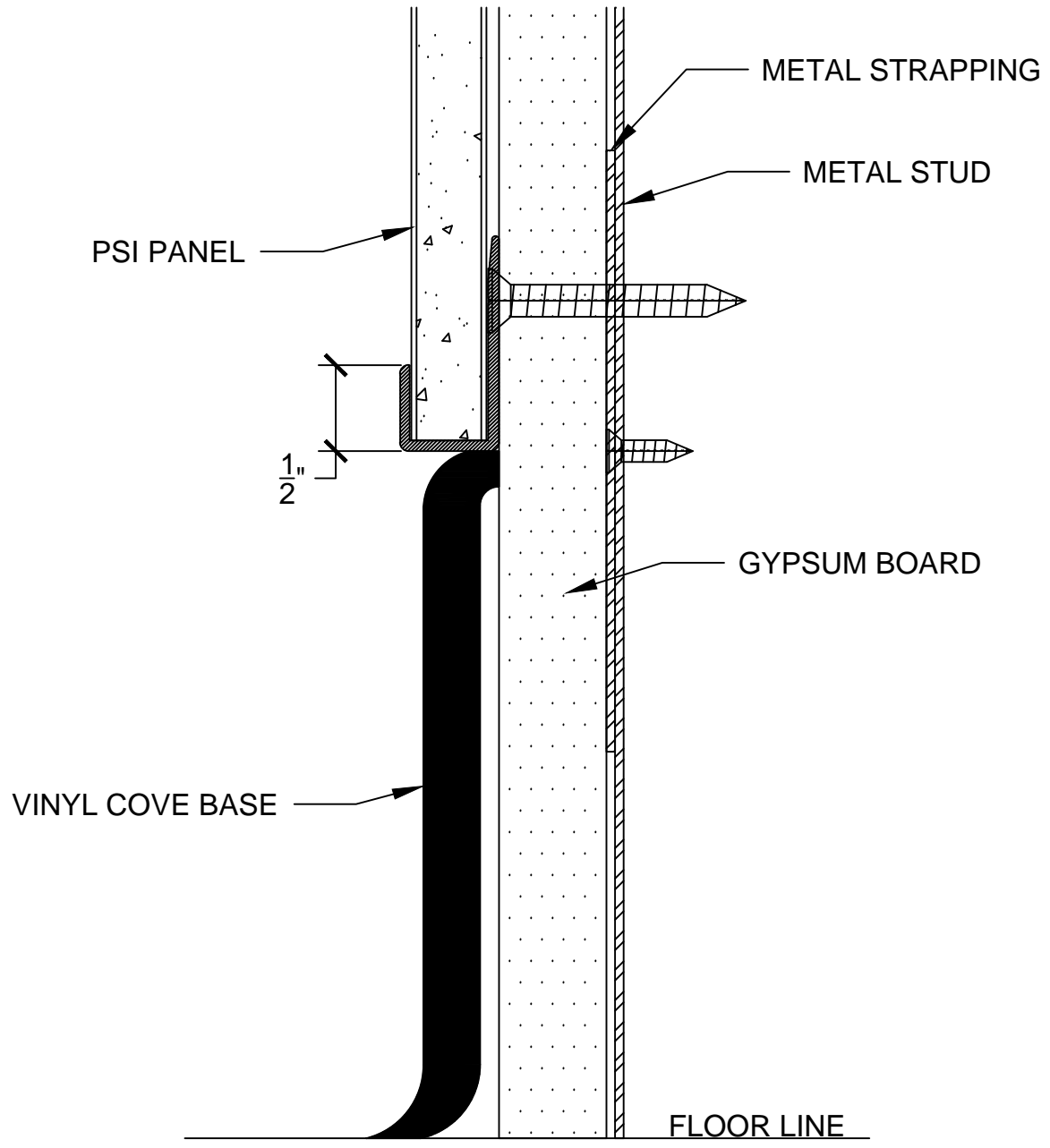
#312 VERTICAL REVEAL / DIVIDER

TOP VIEW



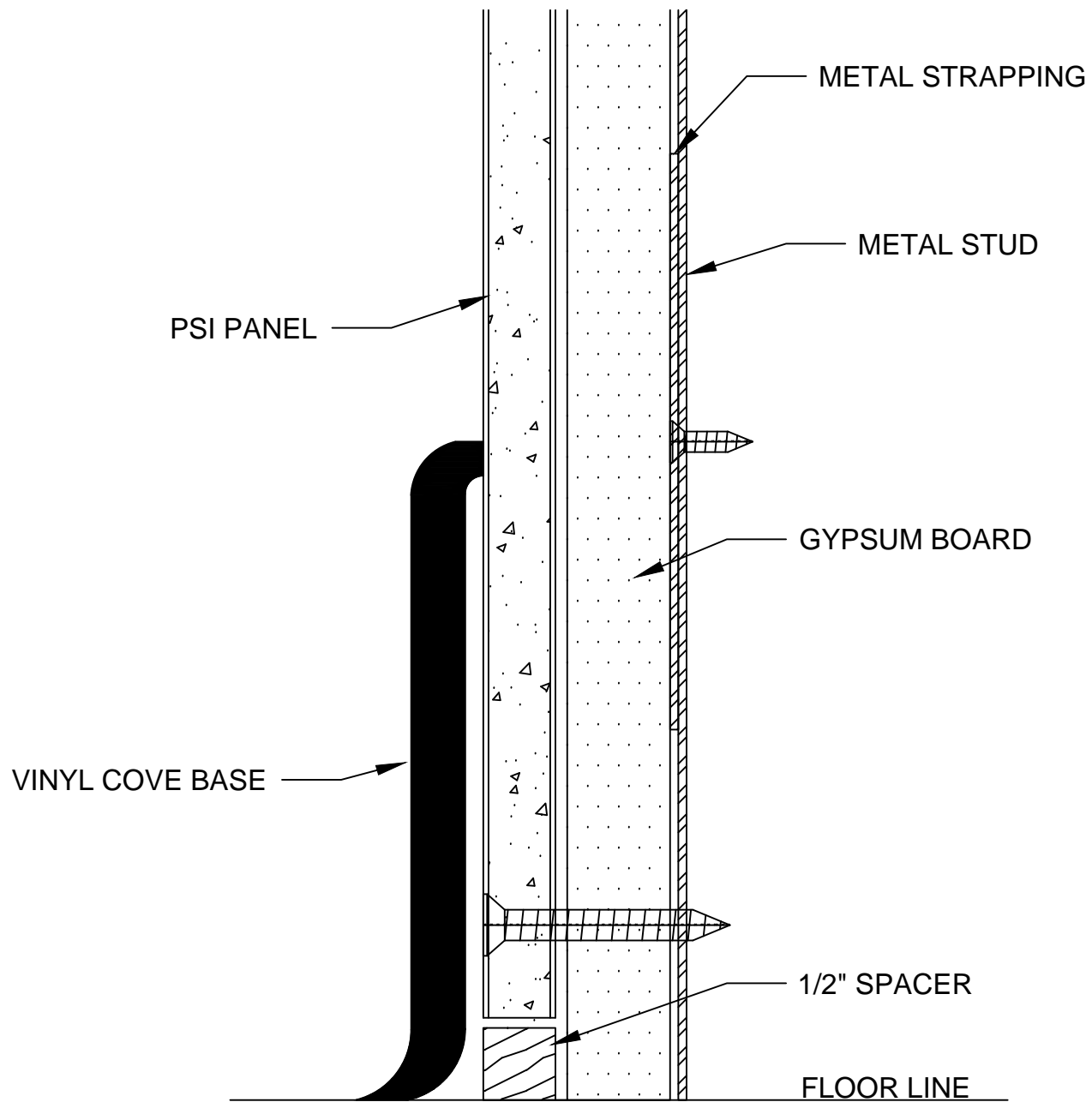
#312 VERTICAL REVEAL / DIVIDER

TOP VIEW



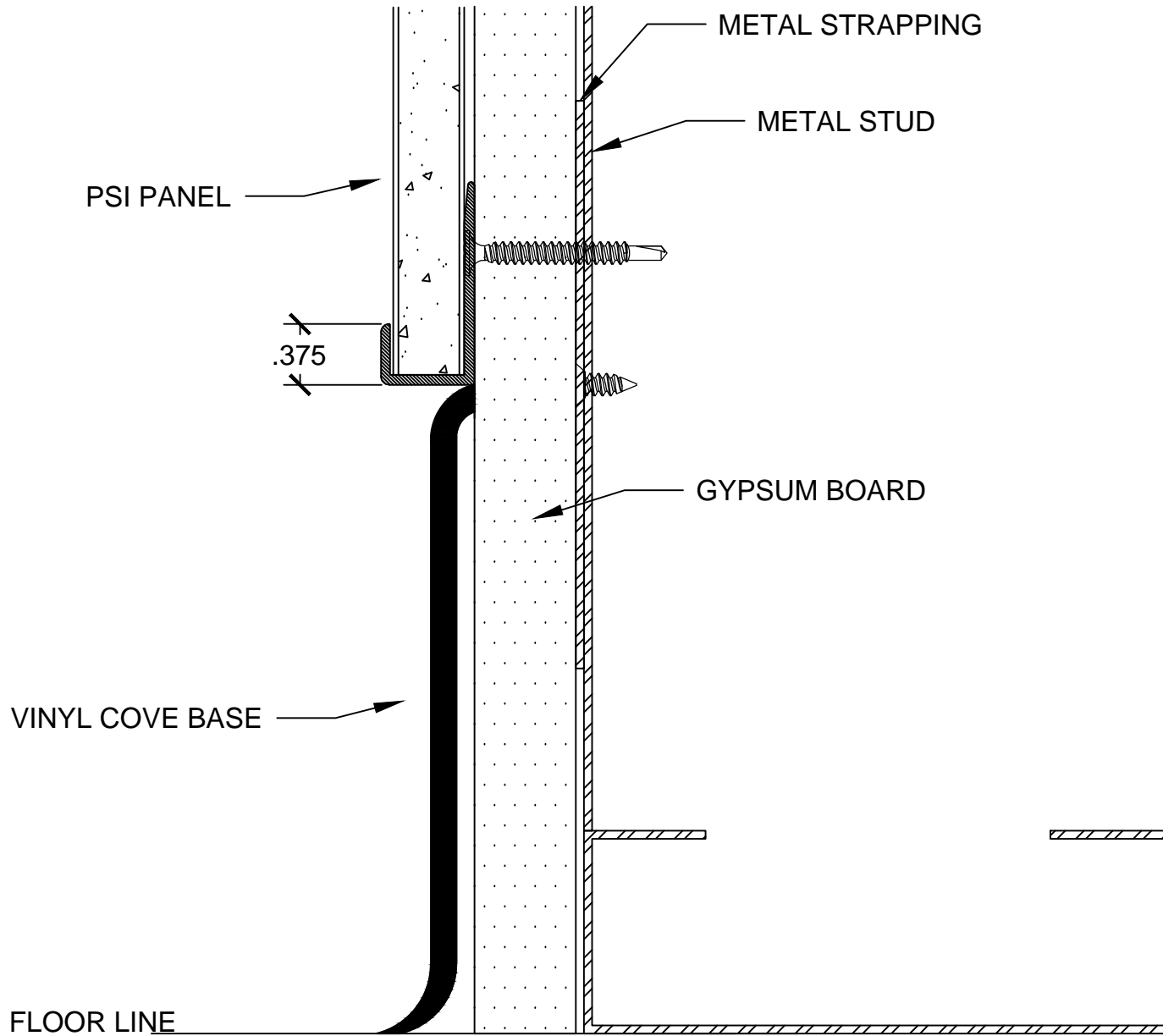
#304 HORIZONTAL TRIM - ABOVE BASE

RIGHT SIDE VIEW



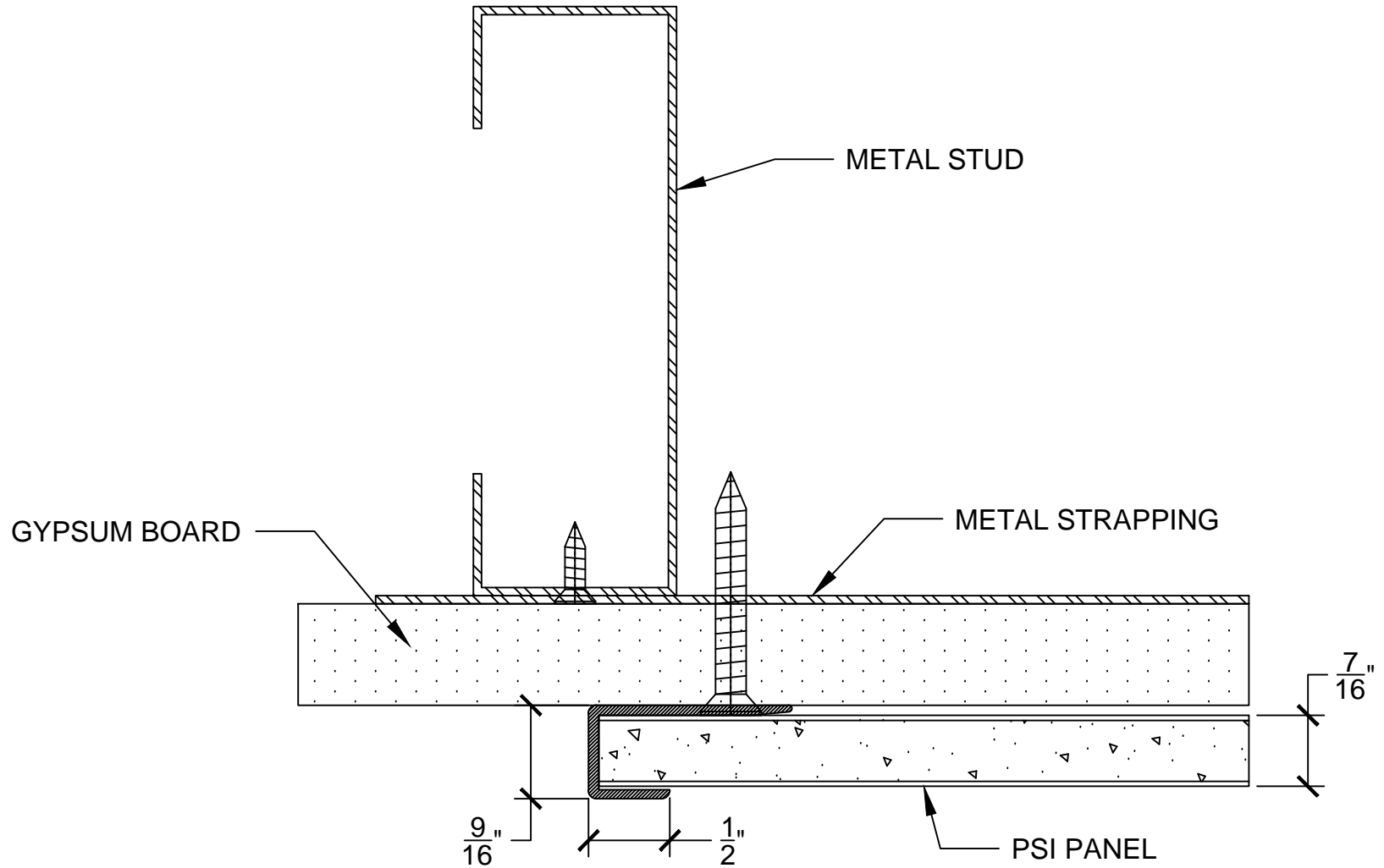
ALTERNATE - BEHIND BASE

RIGHT SIDE VIEW



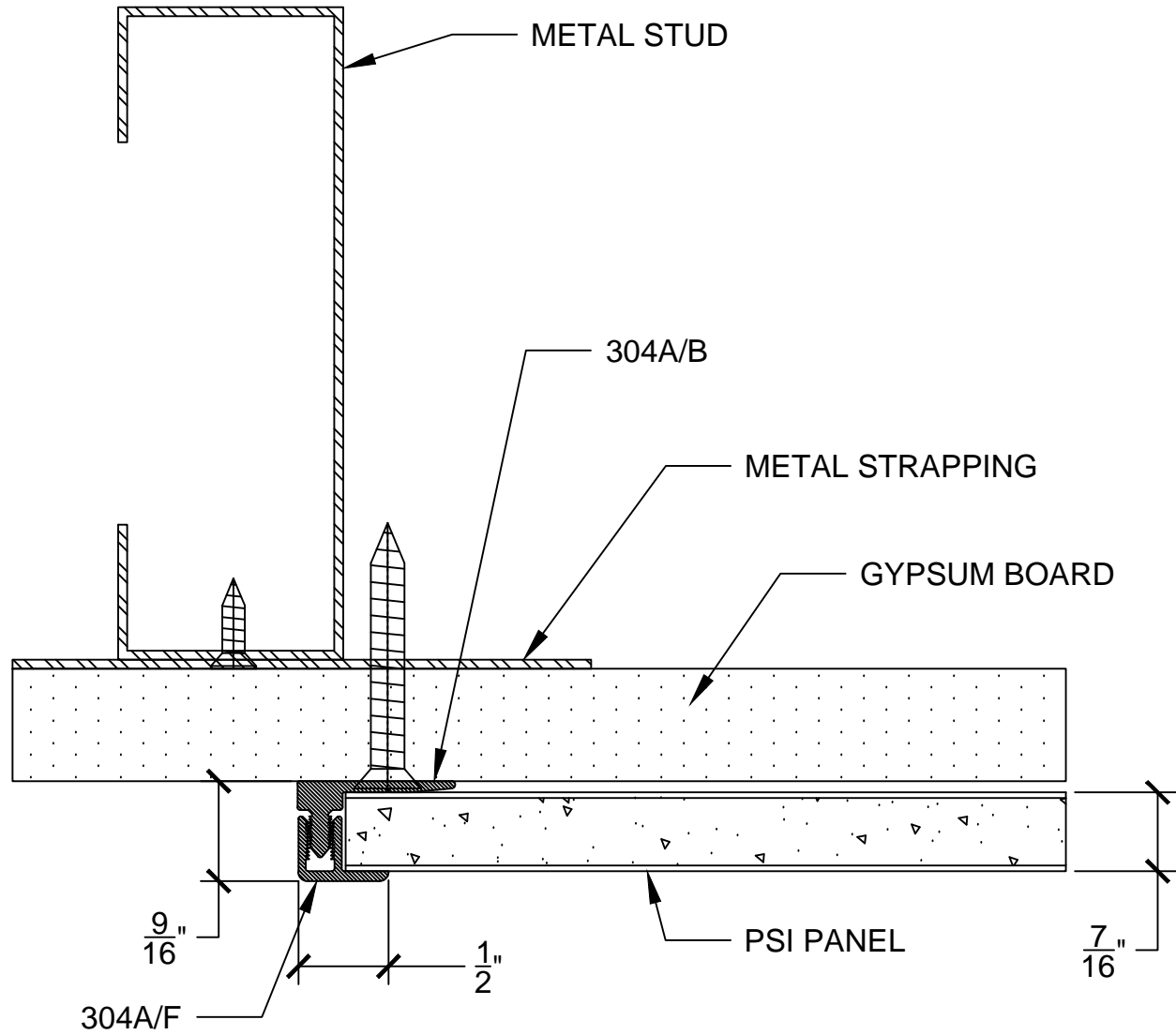
#604 HORIZONTAL TRIM - ABOVE BASE

RIGHT SIDE VIEW



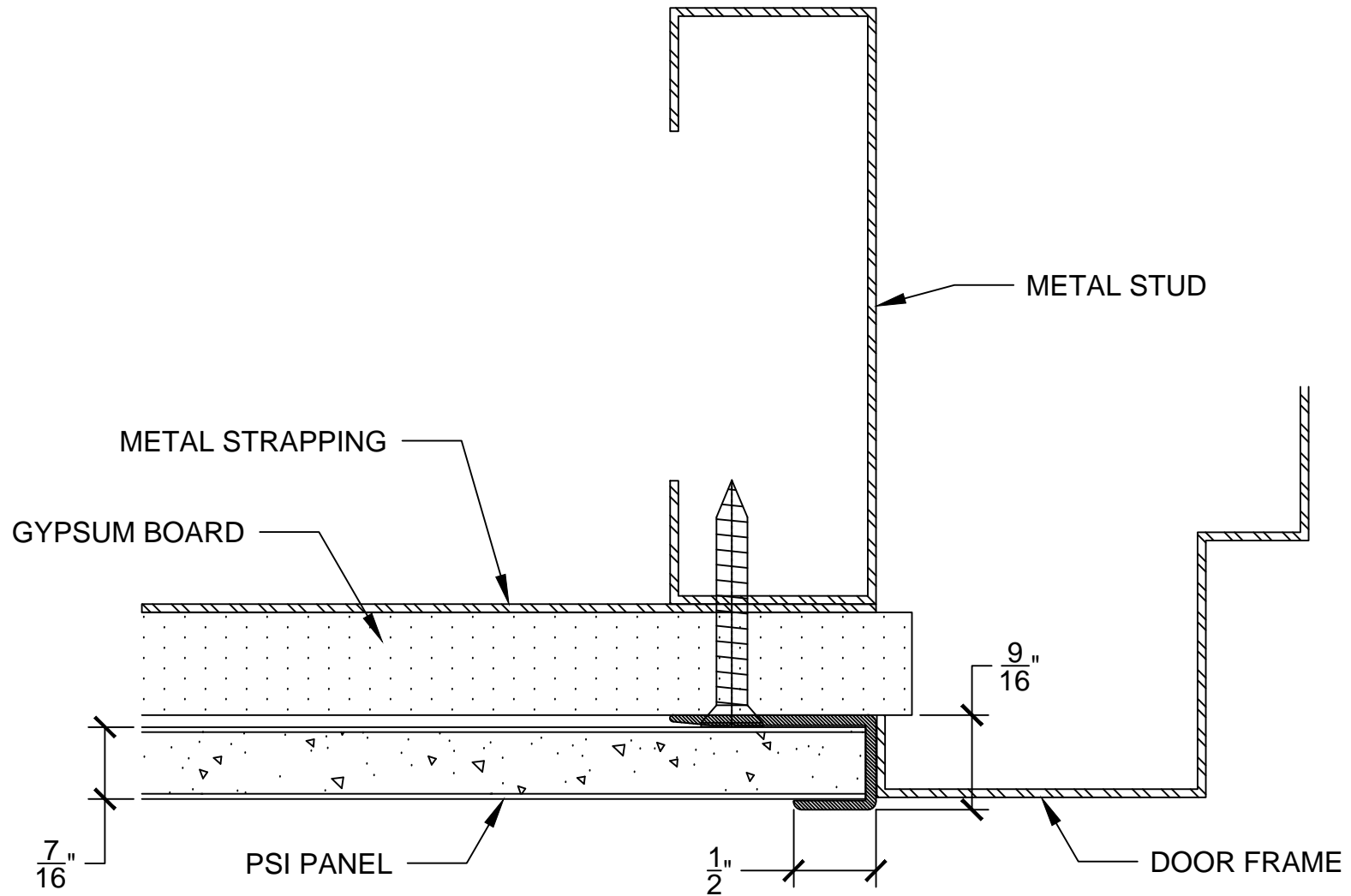
#304 VERTICAL EDGE TRIM

TOP VIEW



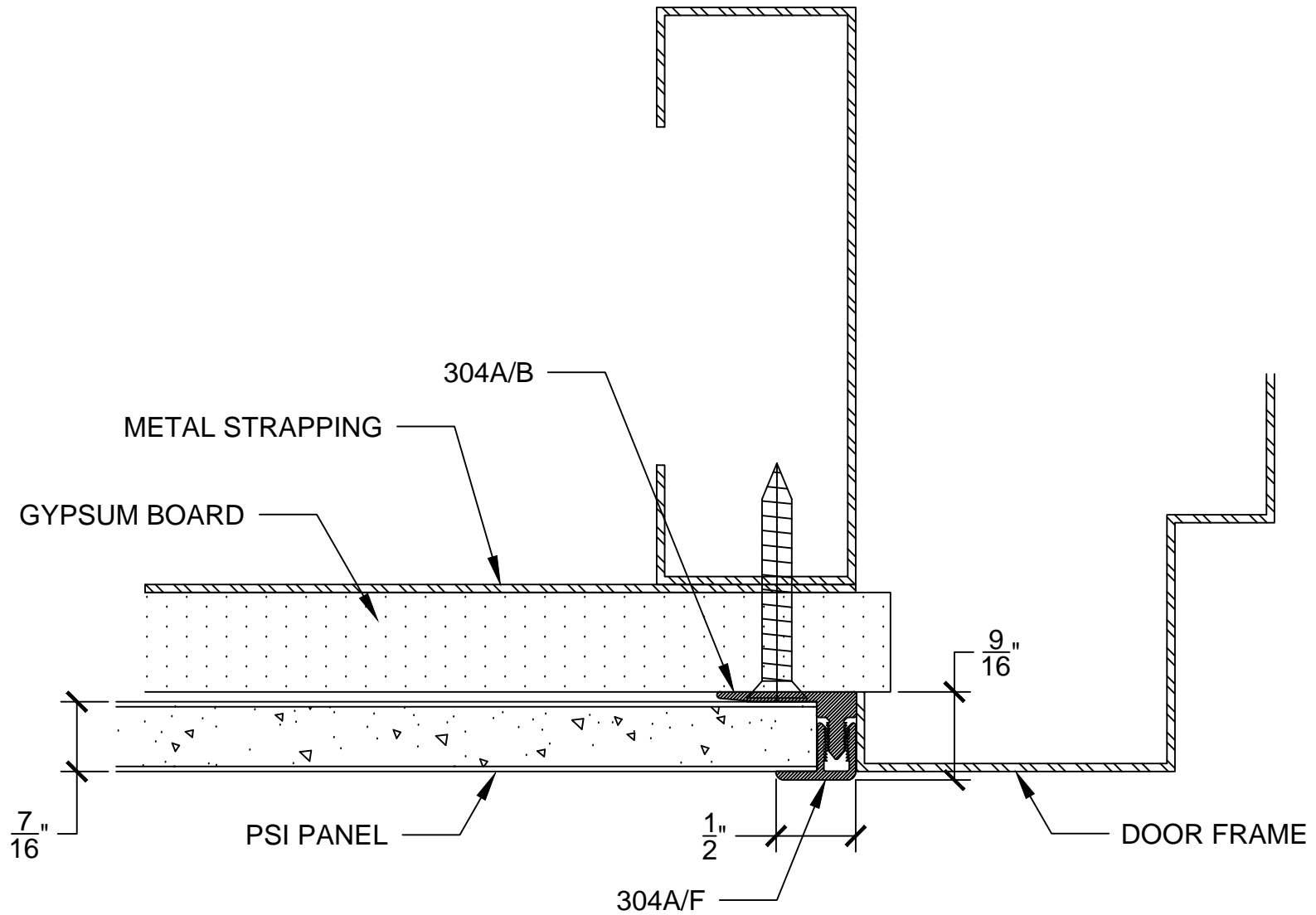
#304A VERTICAL EDGE TRIM

TOP VIEW



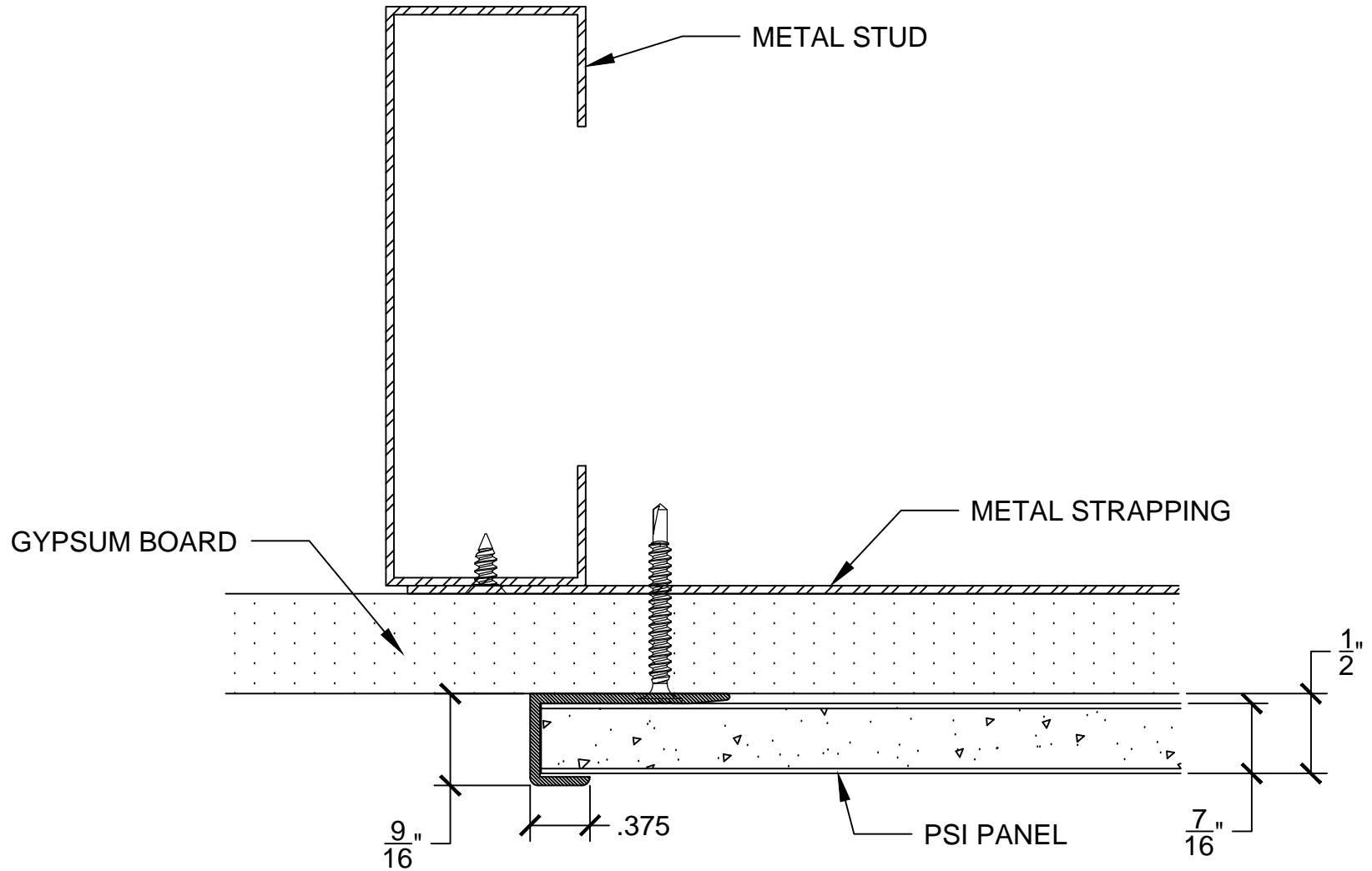
#304 EDGE TRIM @ DOOR OR WINDOW FRAME

TOP VIEW



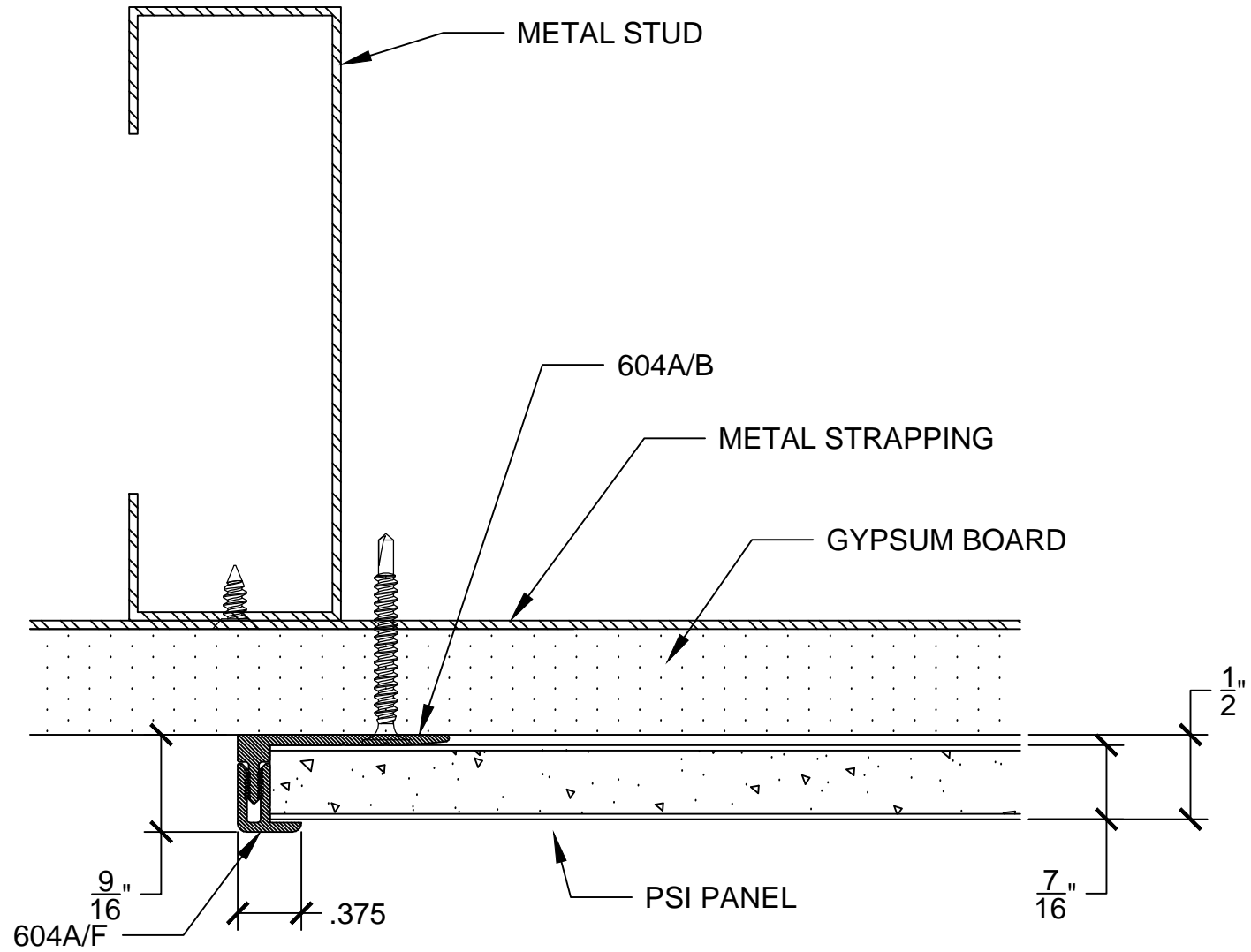
#304A EDGE TRIM @ DOOR OR WINDOW FRAME

TOP VIEW



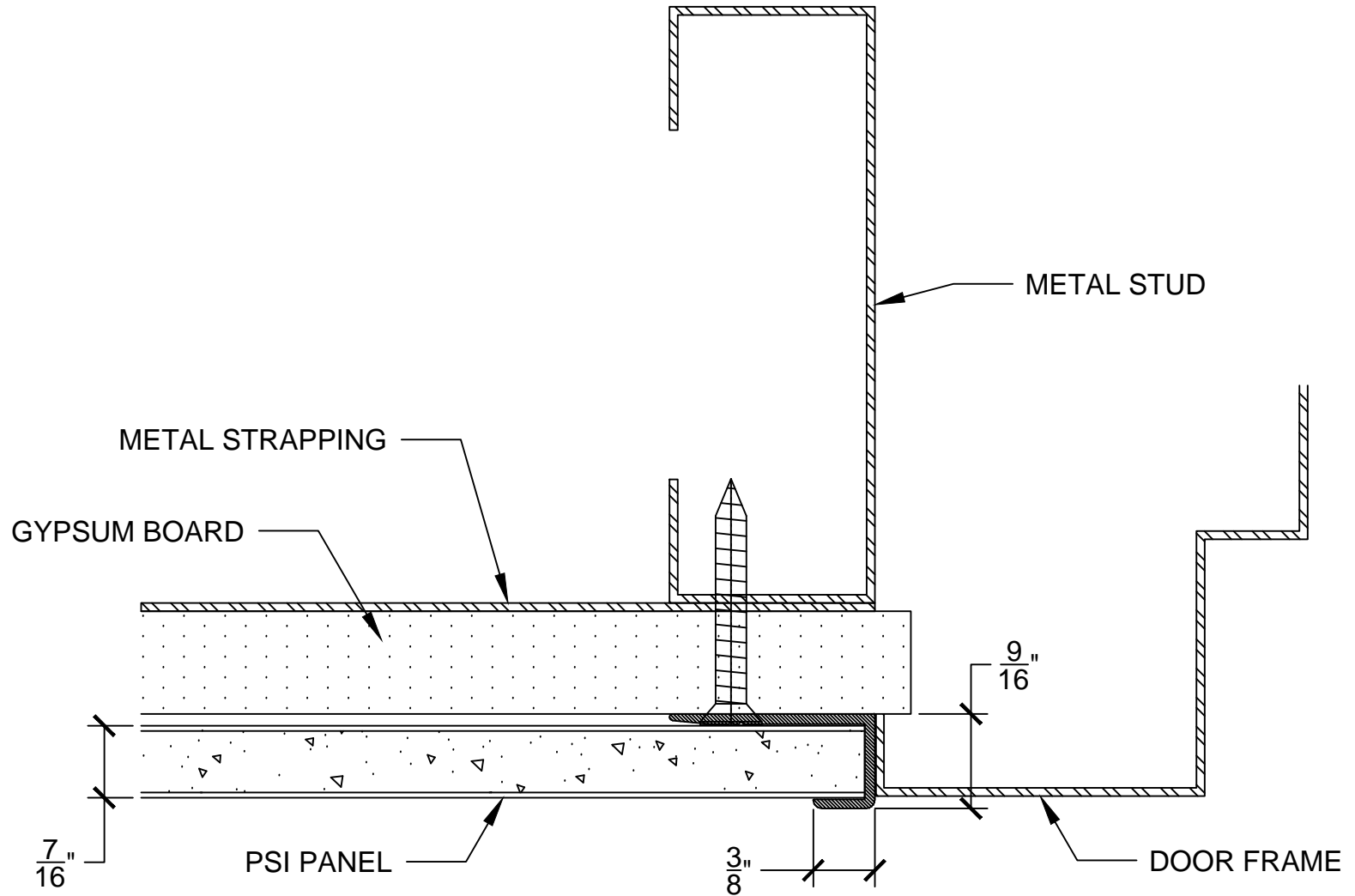
#604 VERTICAL EDGE TRIM

TOP VIEW



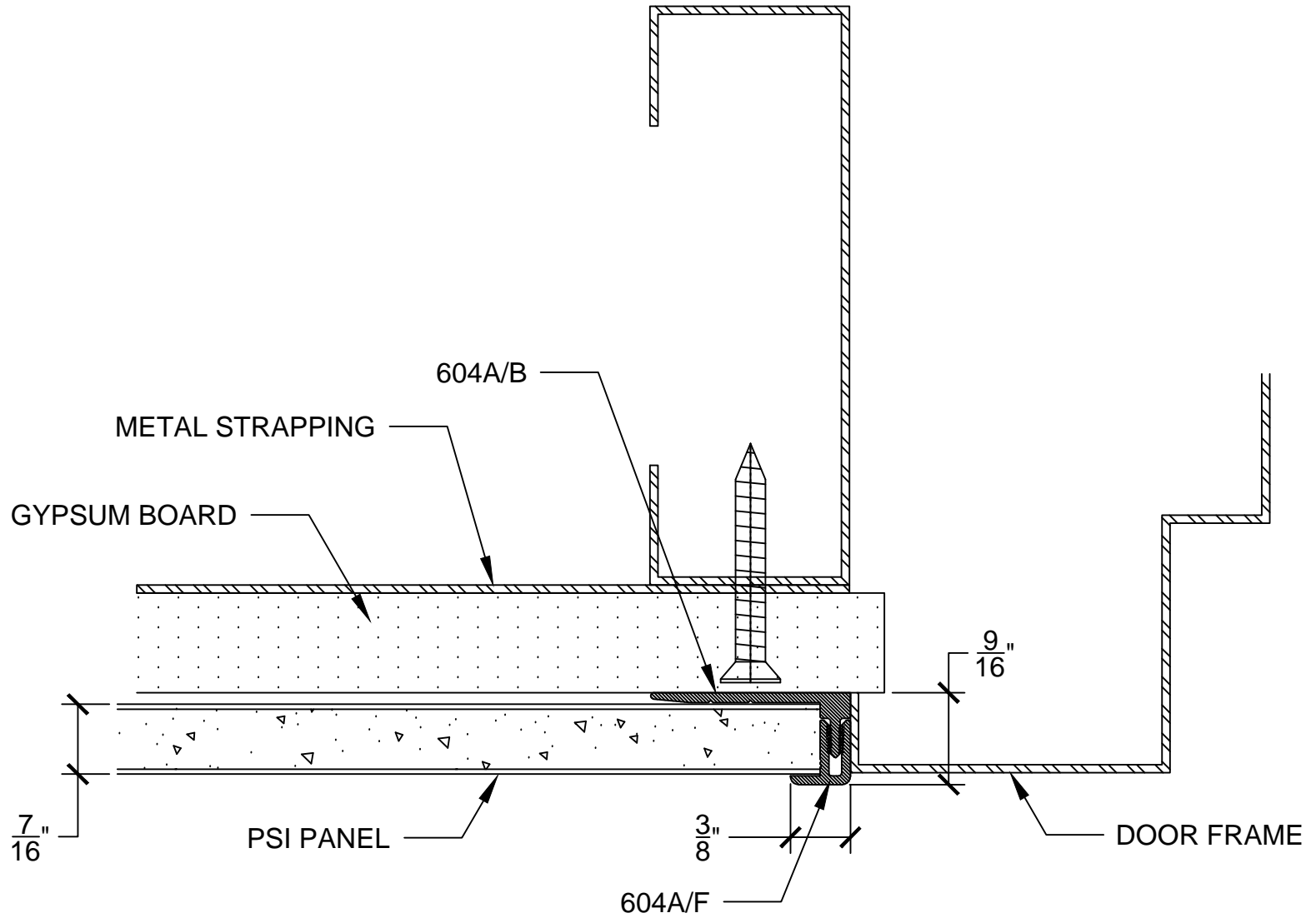
#604A VERTICAL EDGE TRIM

TOP VIEW



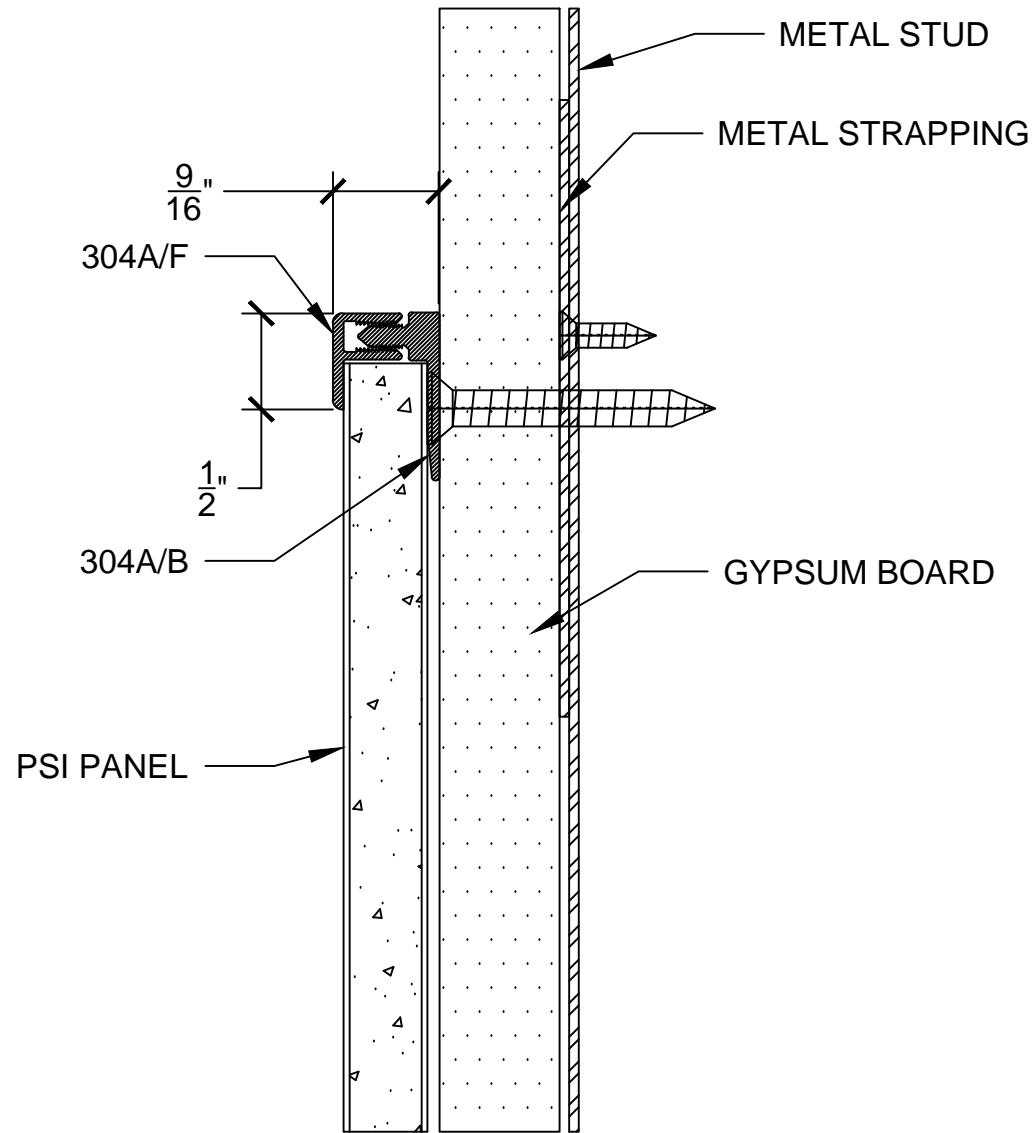
#604 EDGE TRIM @ DOOR OR WINDOW FRAME

TOP VIEW



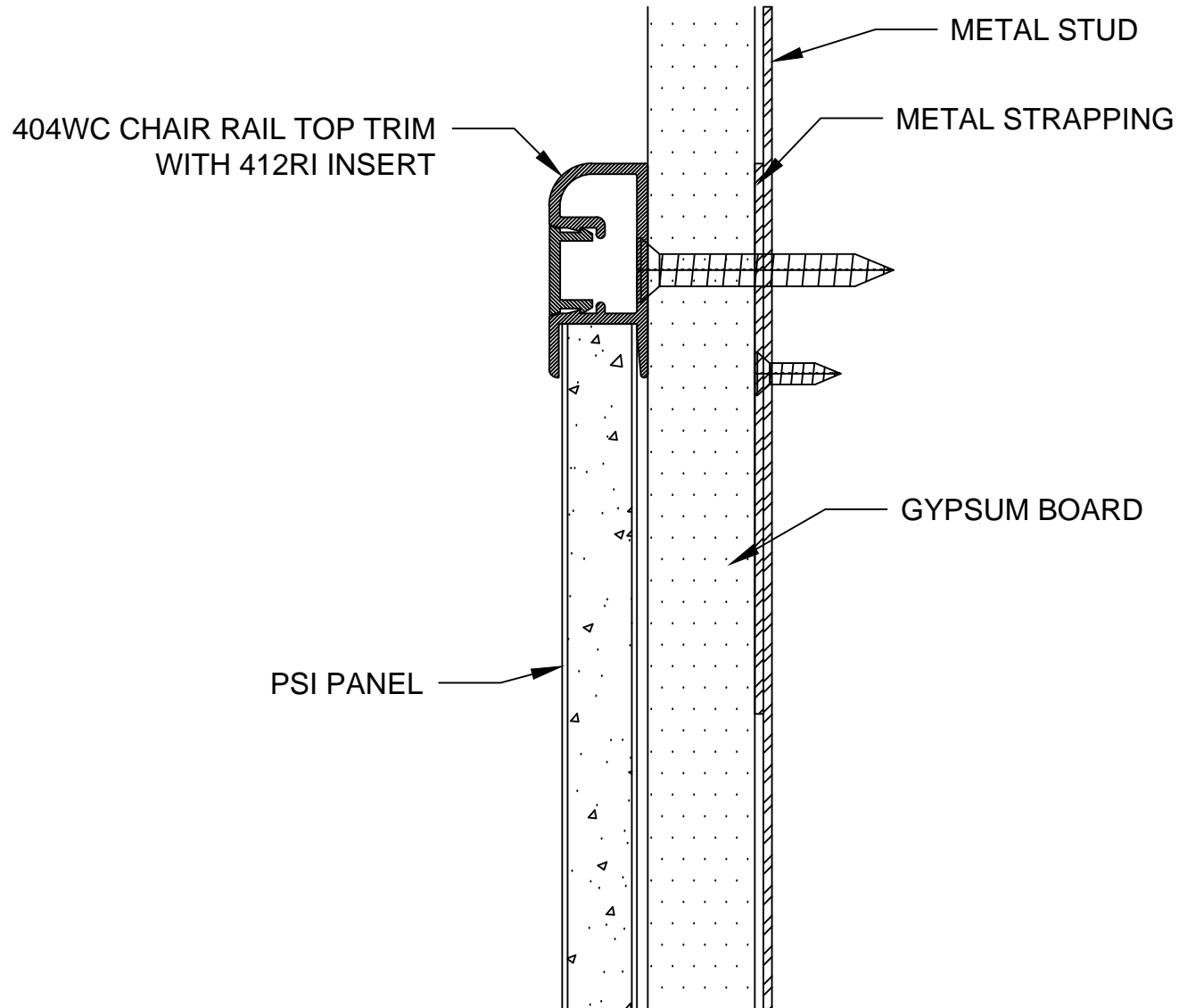
#604A EDGE TRIM @ DOOR OR WINDOW FRAME

TOP VIEW



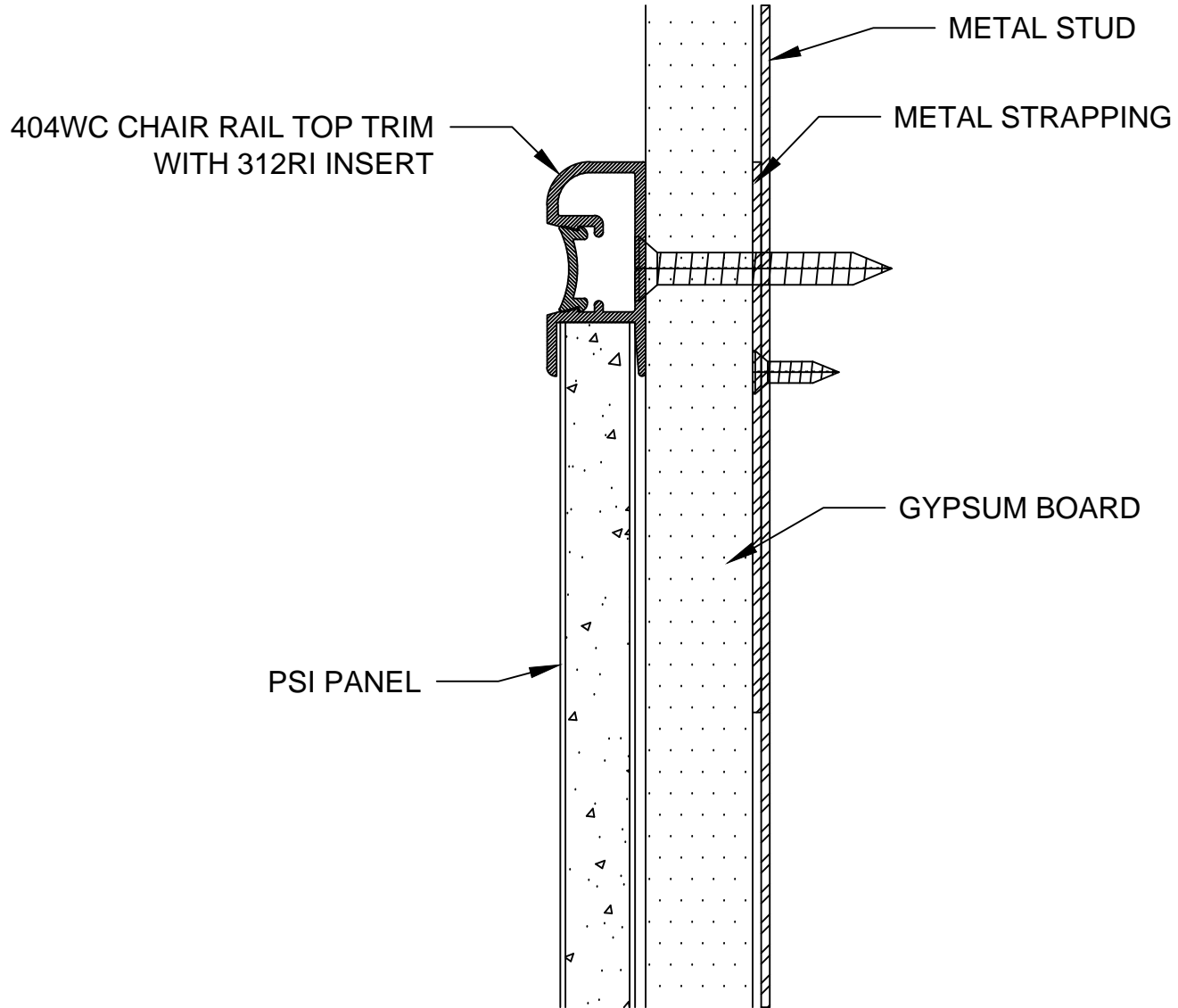
#304A TOP TRIM

RIGHT SIDE VIEW



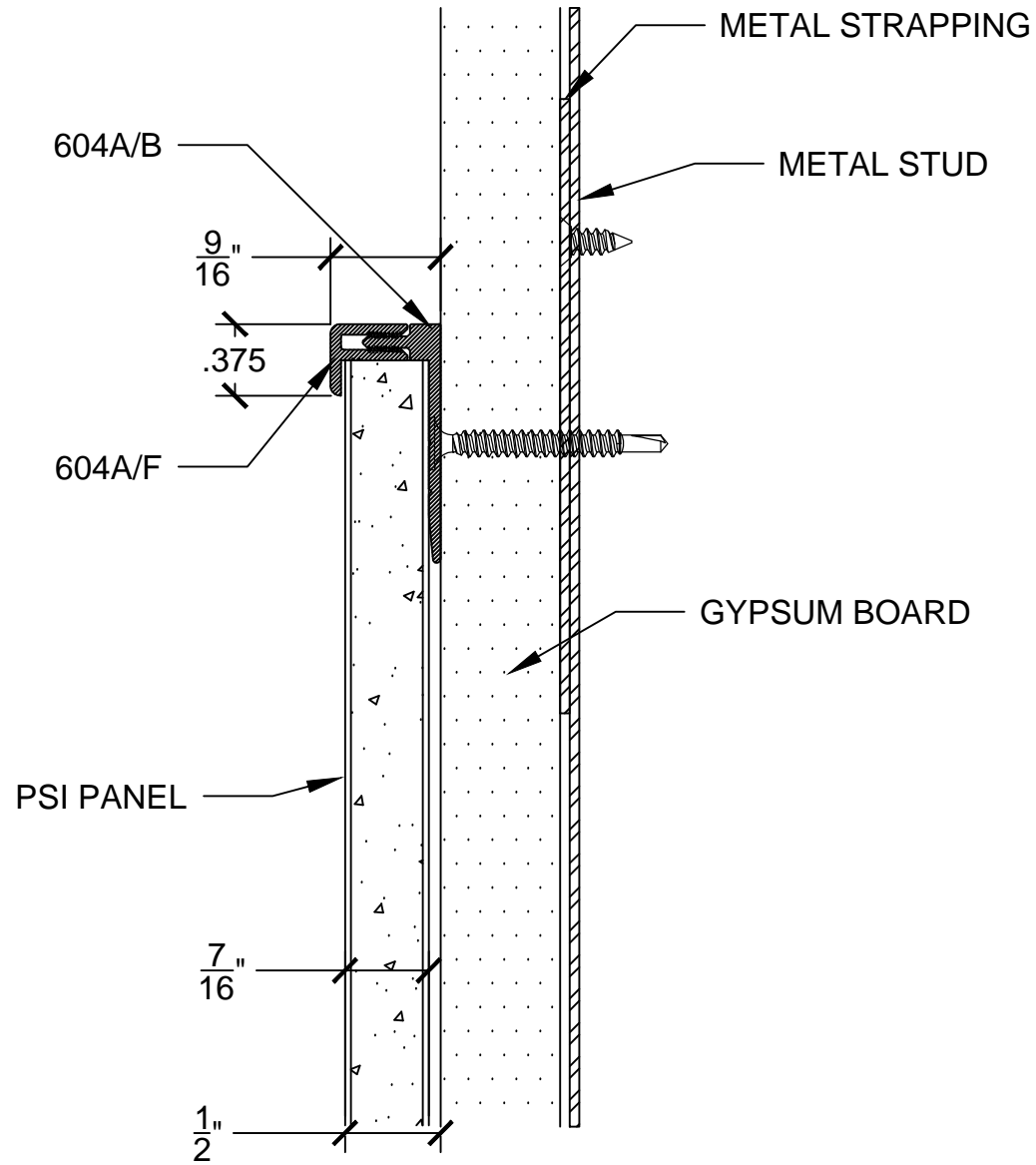
404WC WAINSCOT CHAIR RAIL TOP TRIM

RIGHT SIDE VIEW



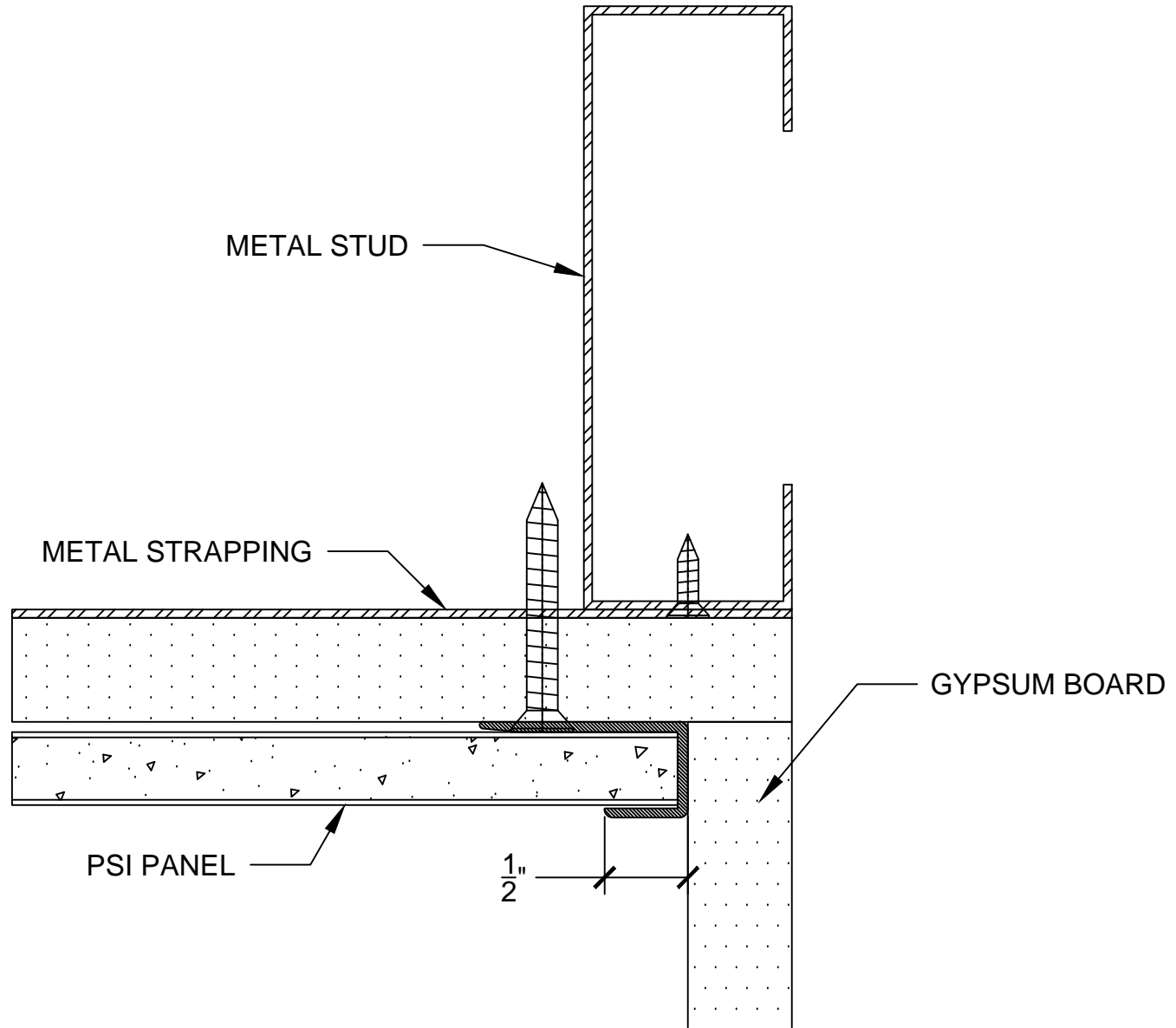
404WC WAINSCOT CHAIR RAIL TOP TRIM

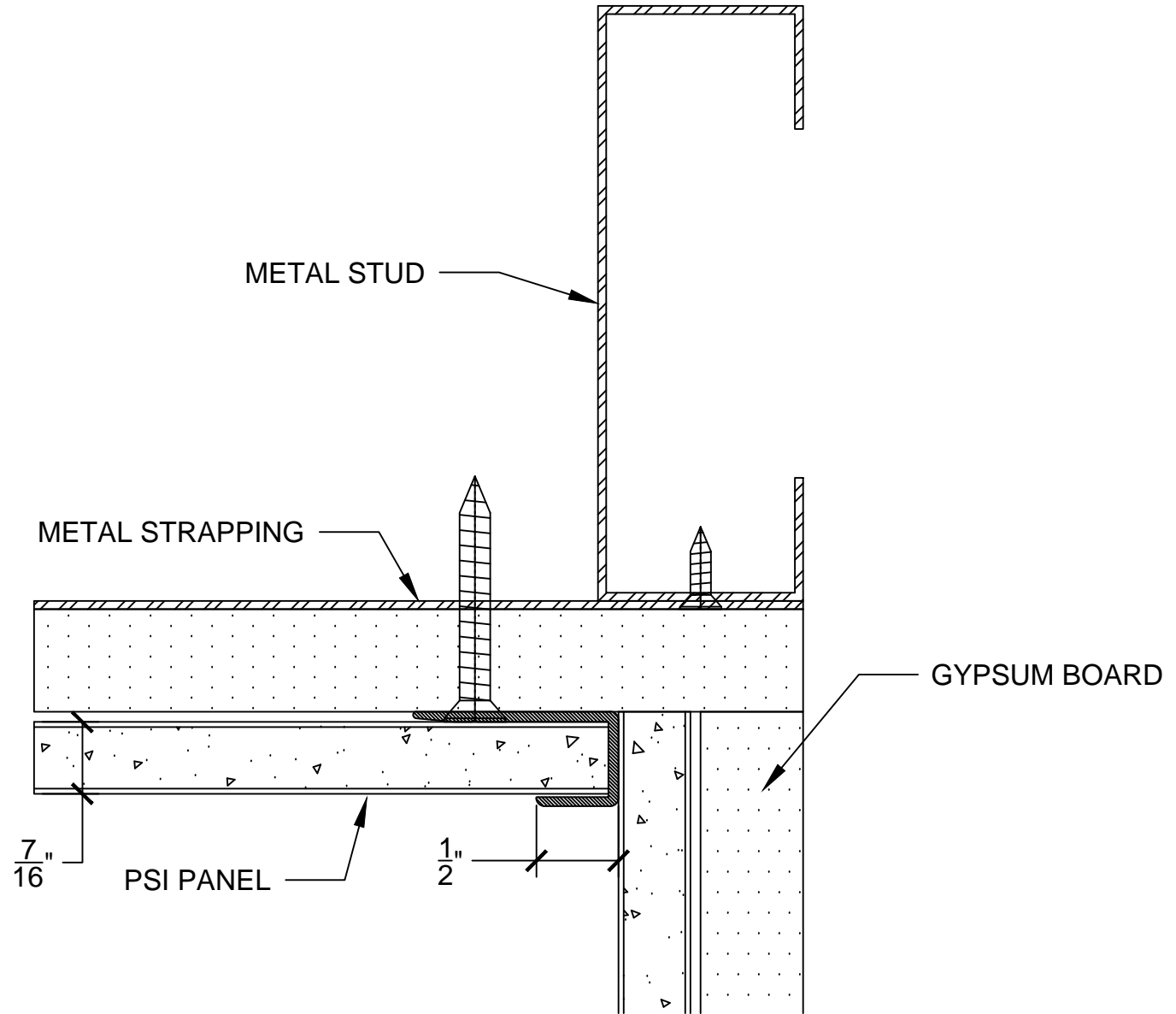
RIGHT SIDE VIEW

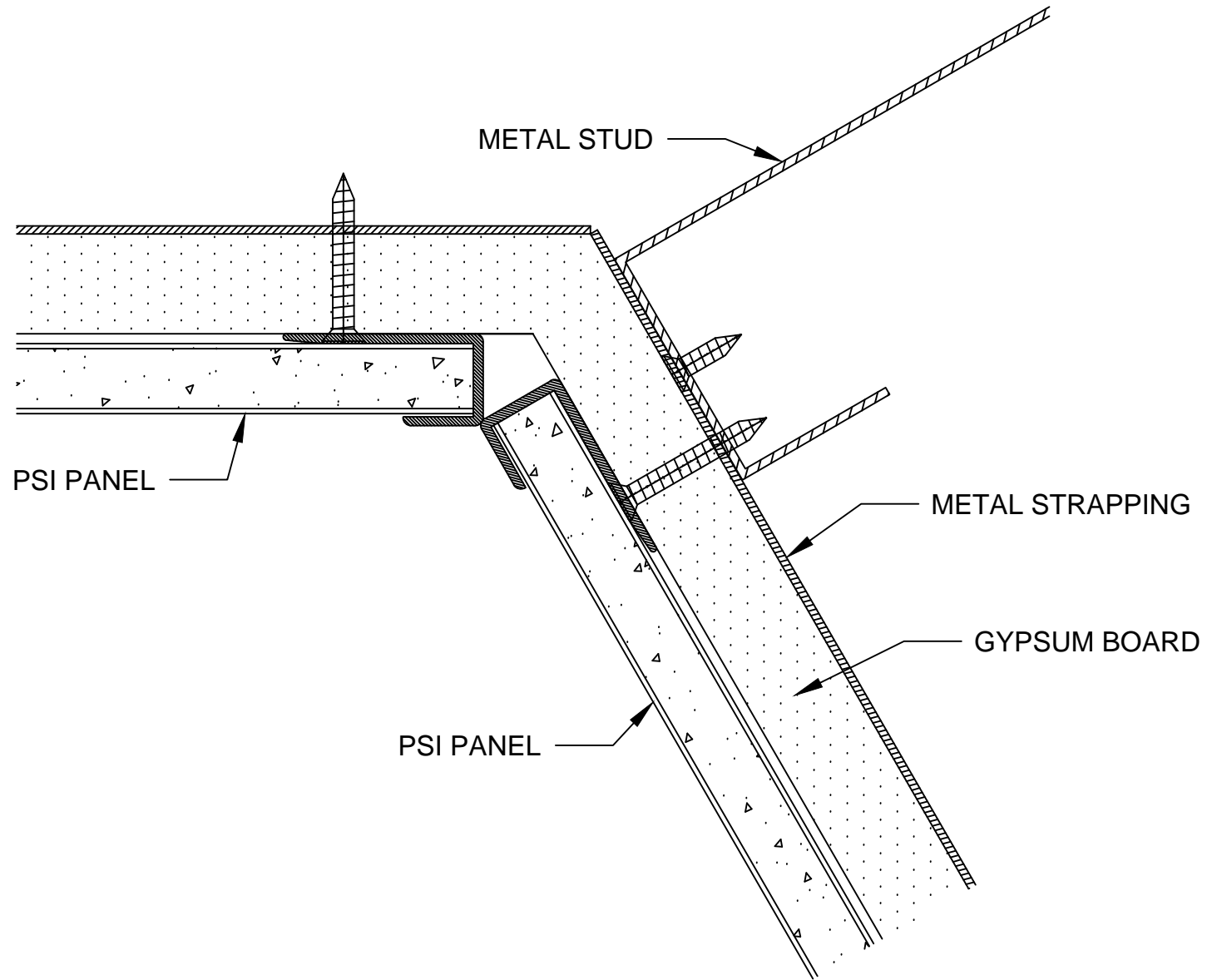


#604A TOP TRIM

RIGHT SIDE VIEW

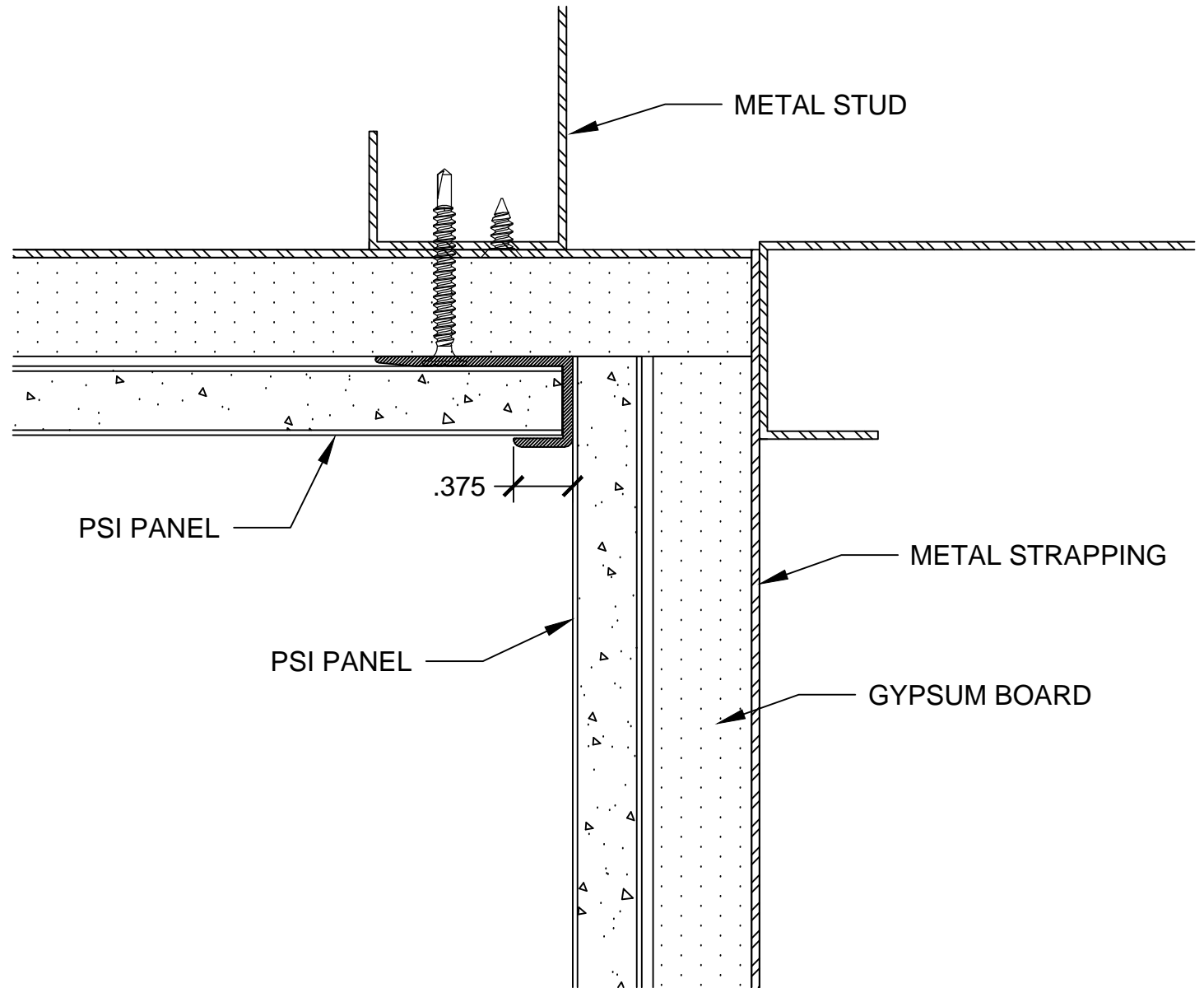






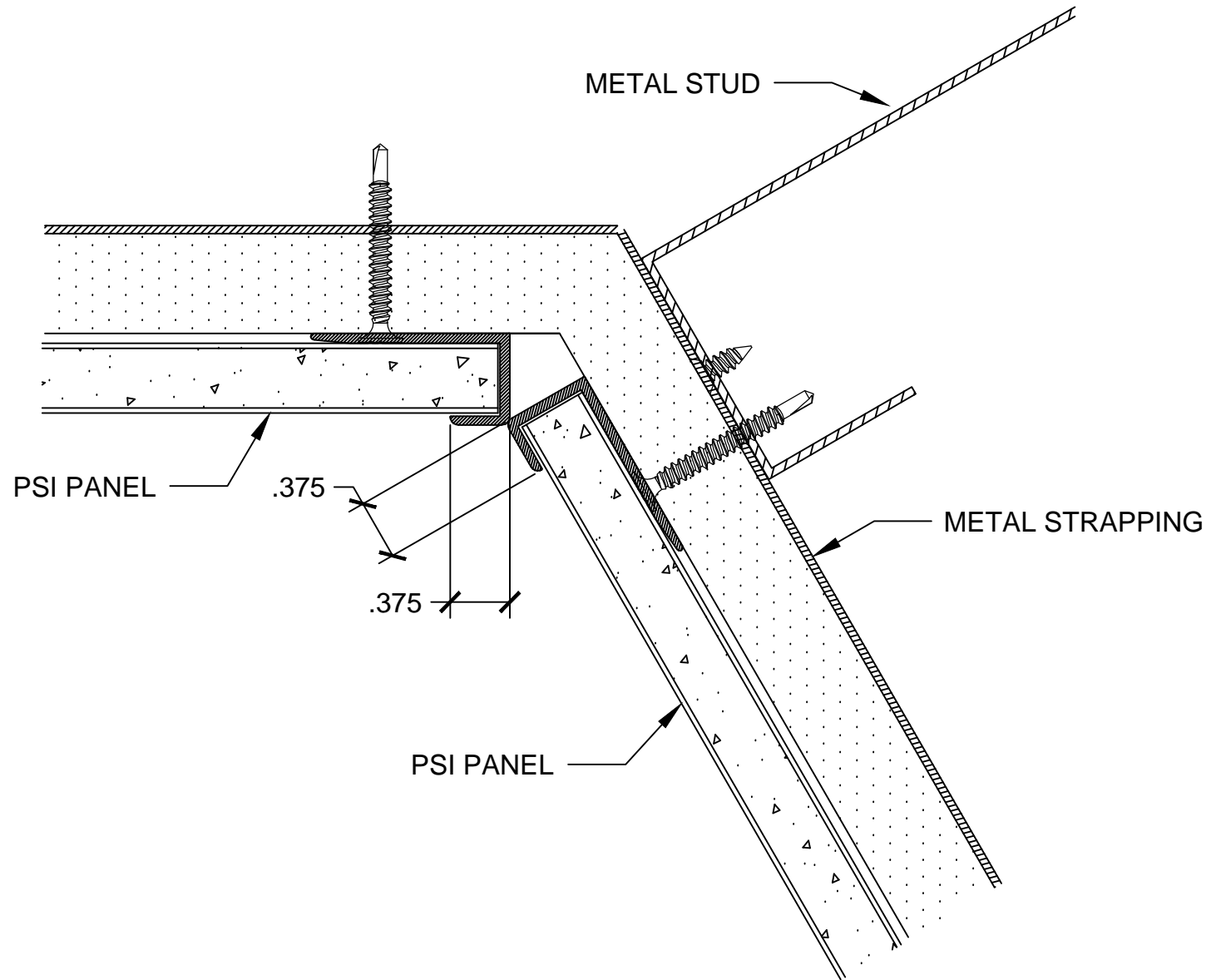
#304 ANGLED INSIDE CORNER

TOP VIEW



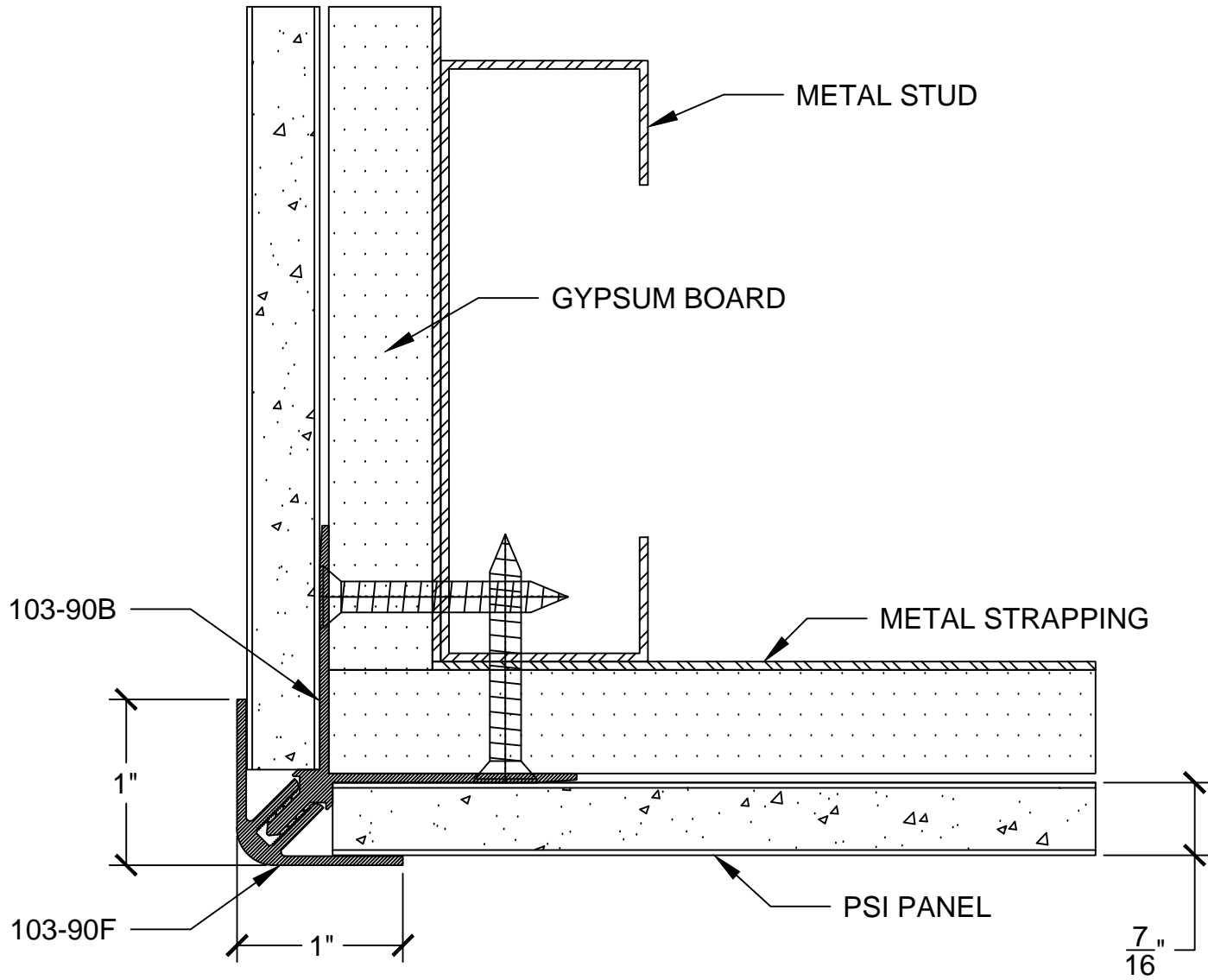
#604 INSIDE CORNER

TOP VIEW



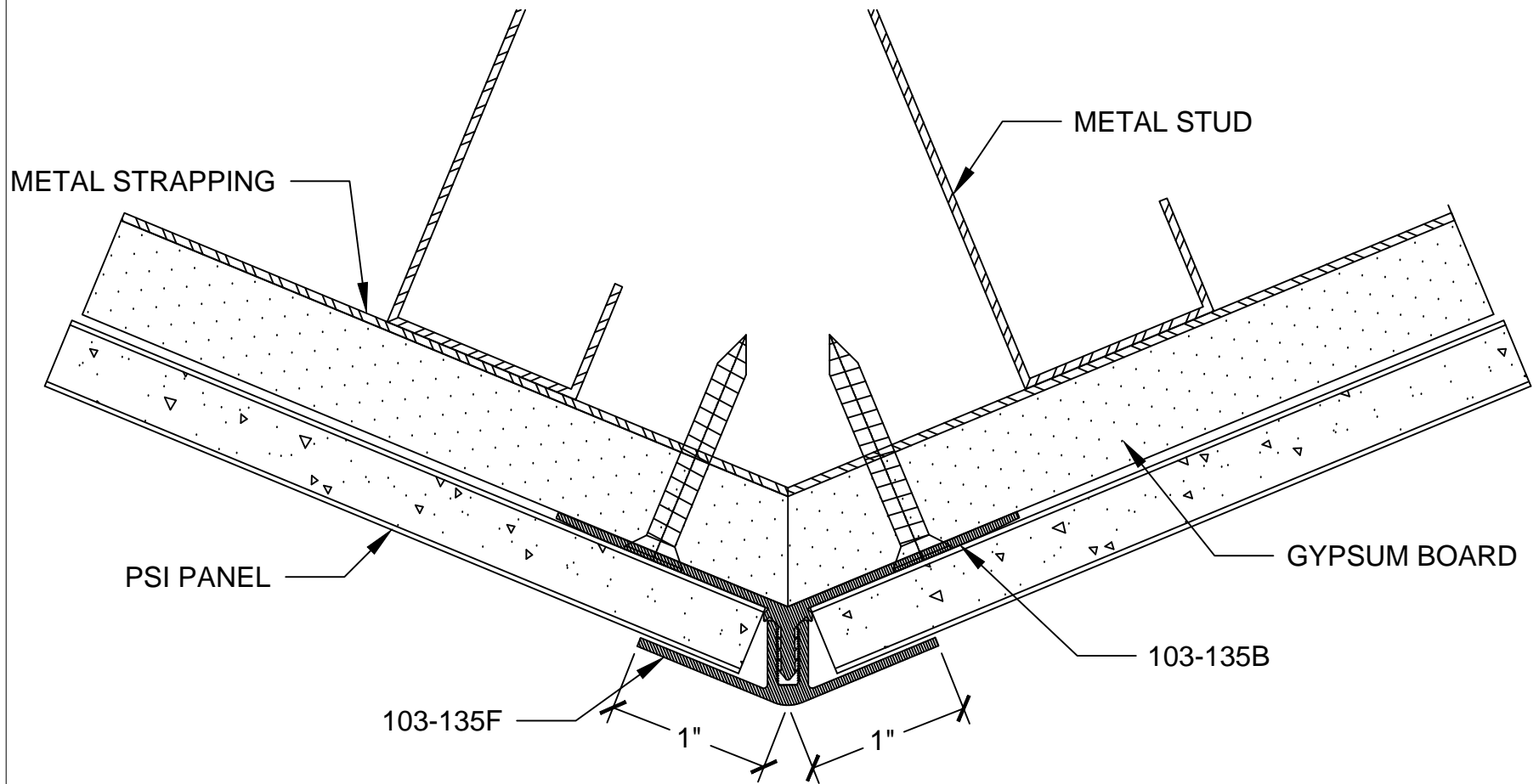
#604 ANGLED INSIDE CORNER

TOP VIEW



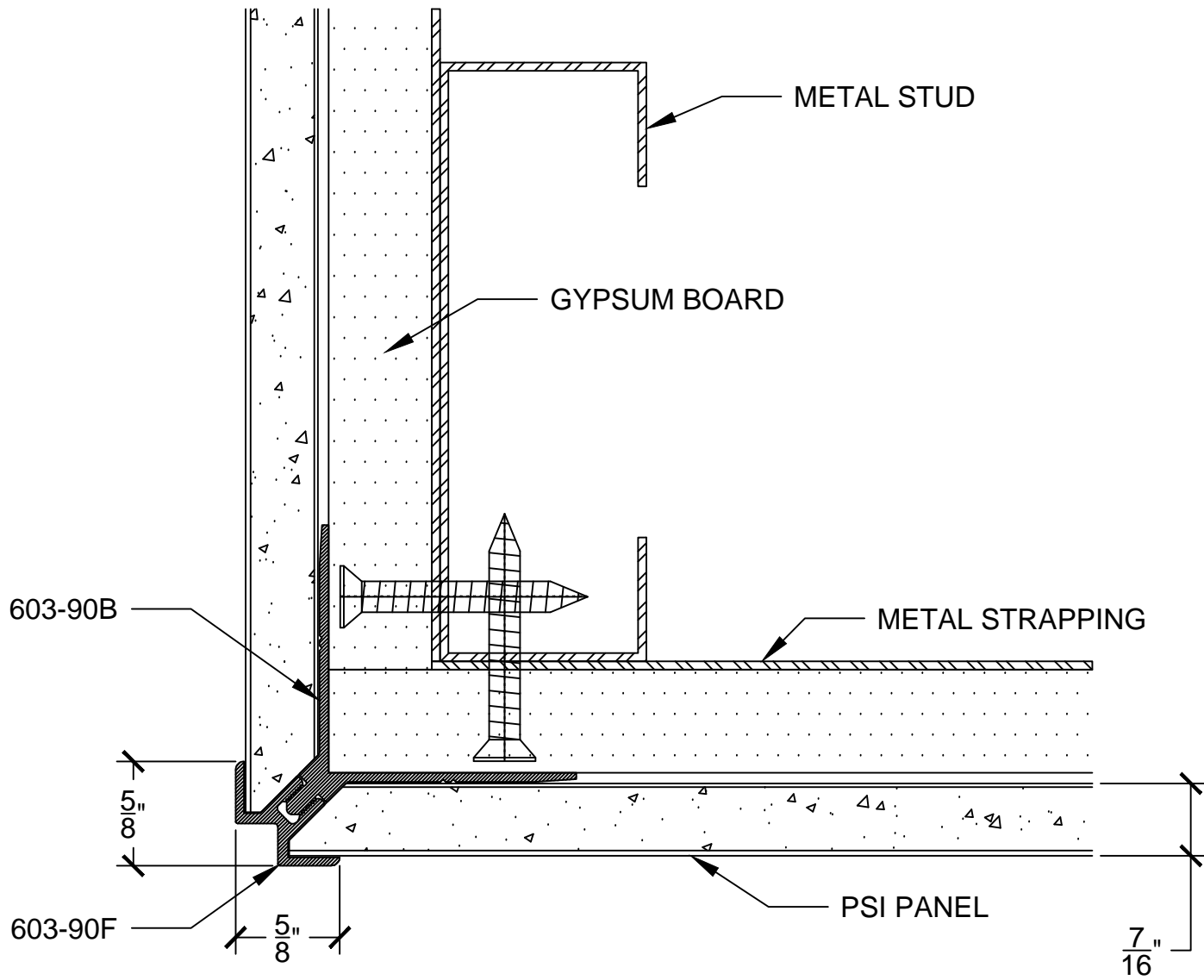
#103-90 OUTSIDE CORNER

TOP VIEW



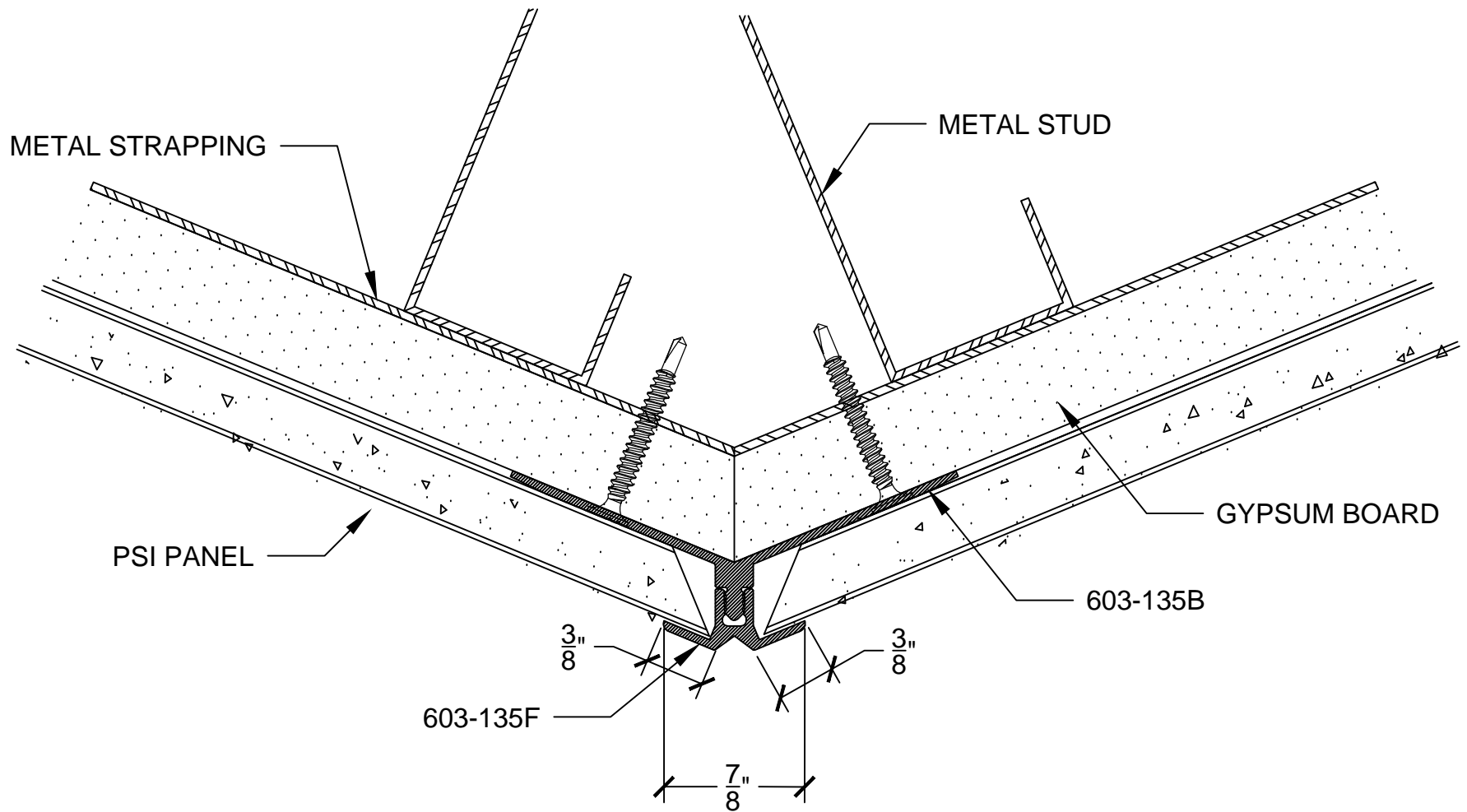
#103-135 OUTSIDE CORNER

TOP VIEW



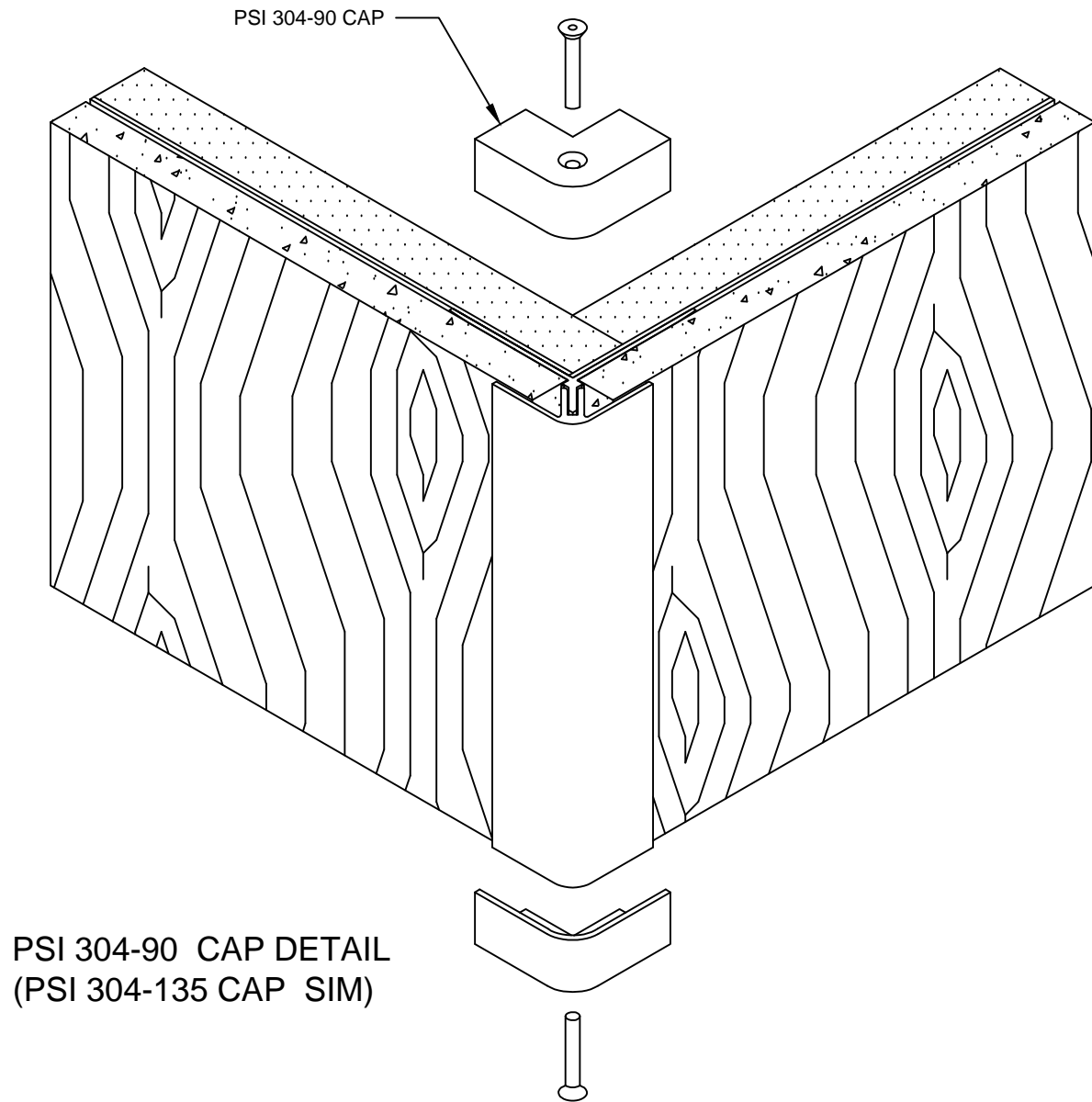
#603-90 OUTSIDE CORNER

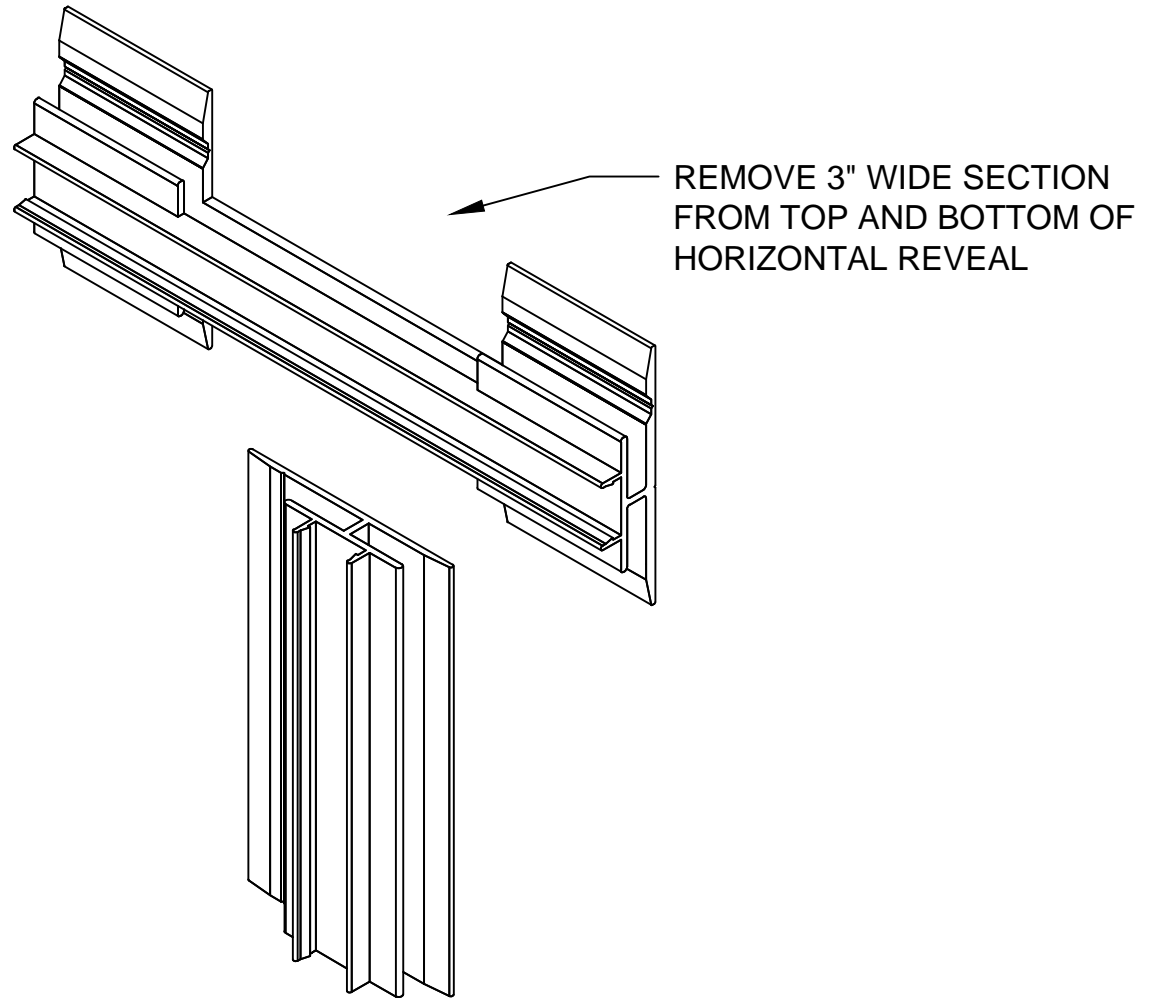
TOP VIEW

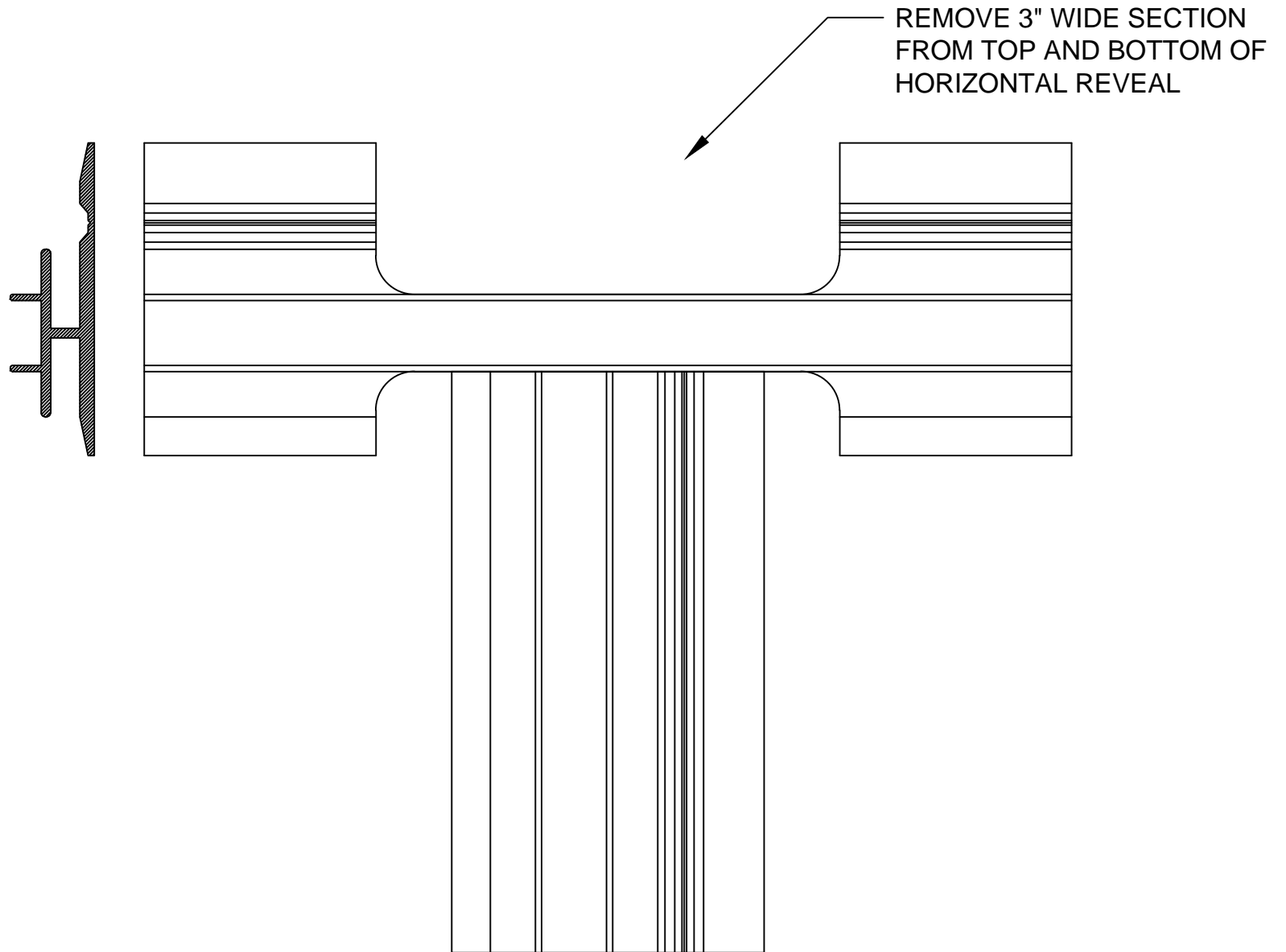


#603-135 OUTSIDE CORNER

TOP VIEW



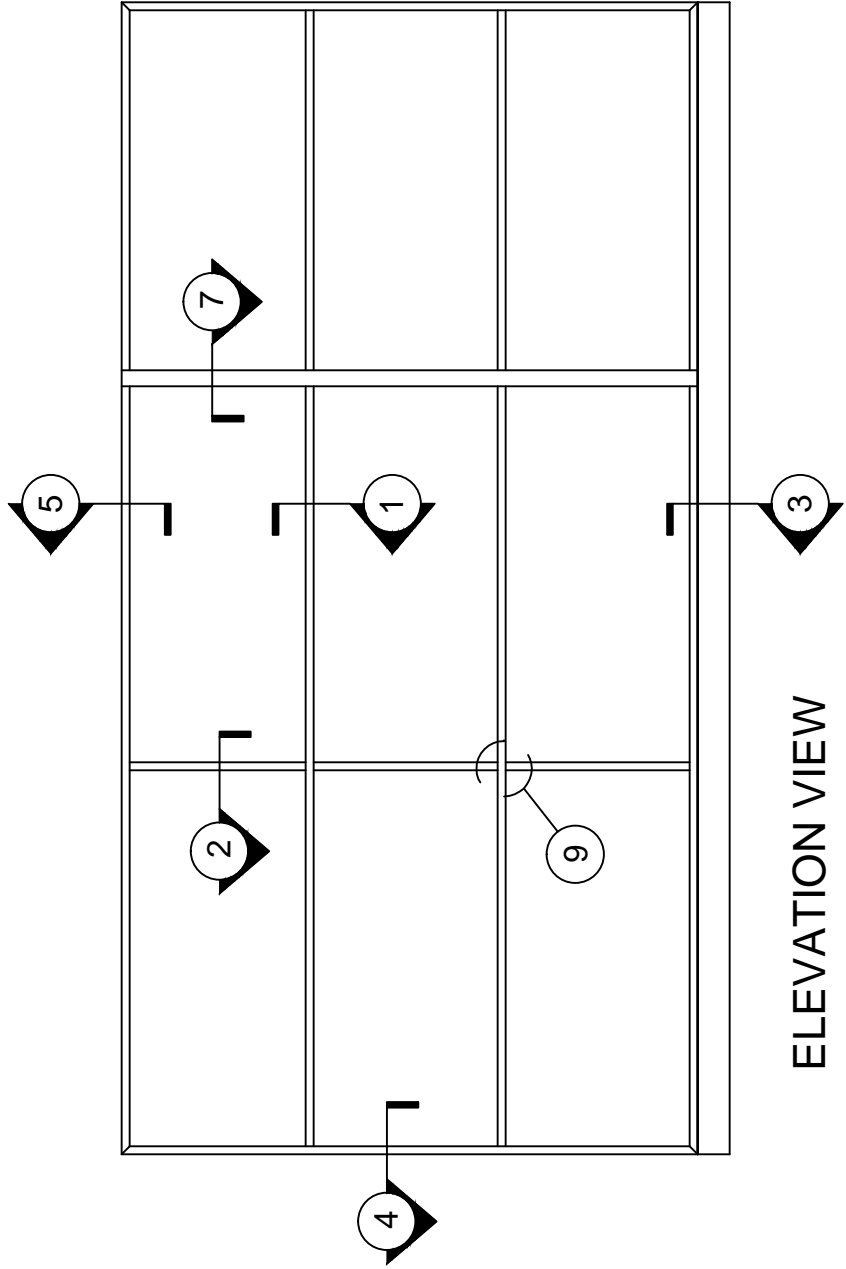




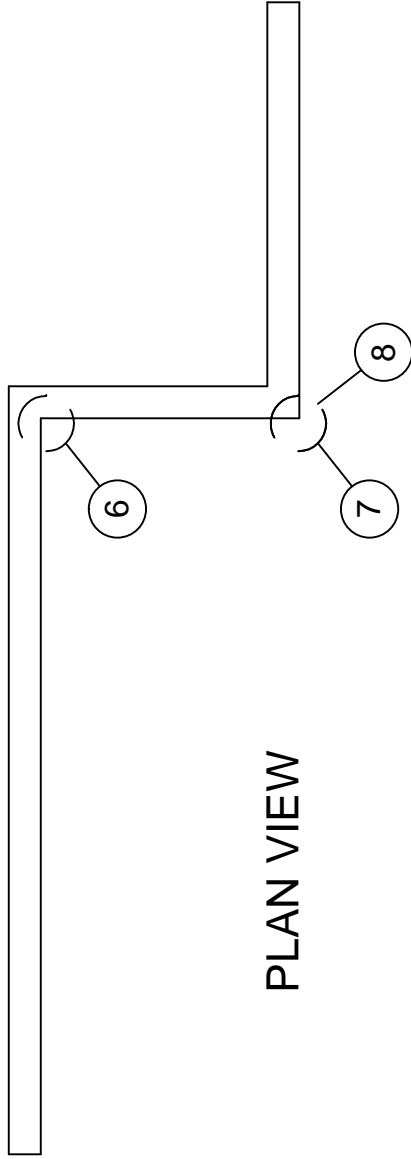
#312 REVEAL INTERSECTION DETAIL

ISOMETRIC VIEW

PANEL SPECIALISTS INC.
WALL PANEL SYSTEM 312



ELEVATION VIEW



PLAN VIEW