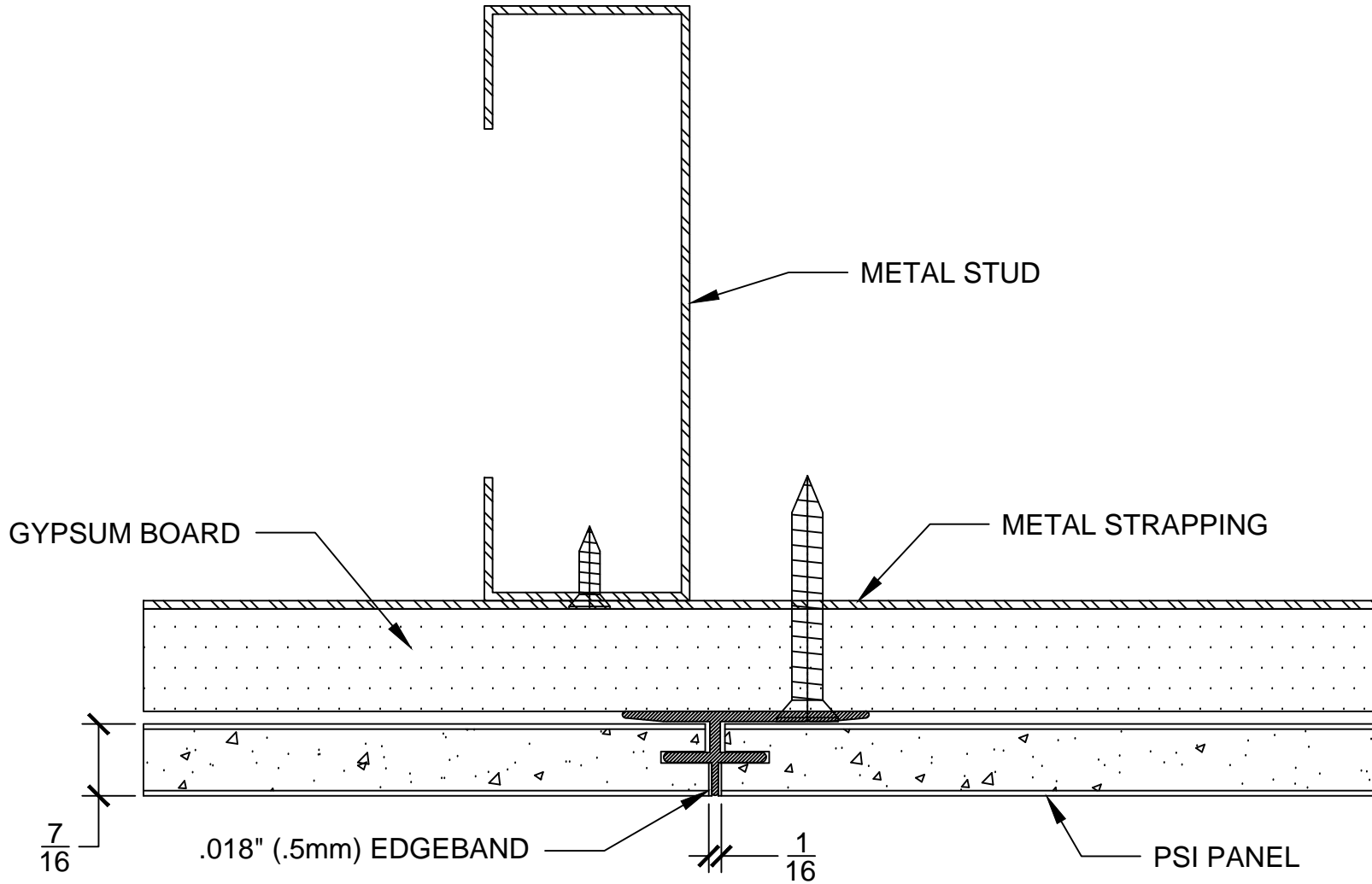


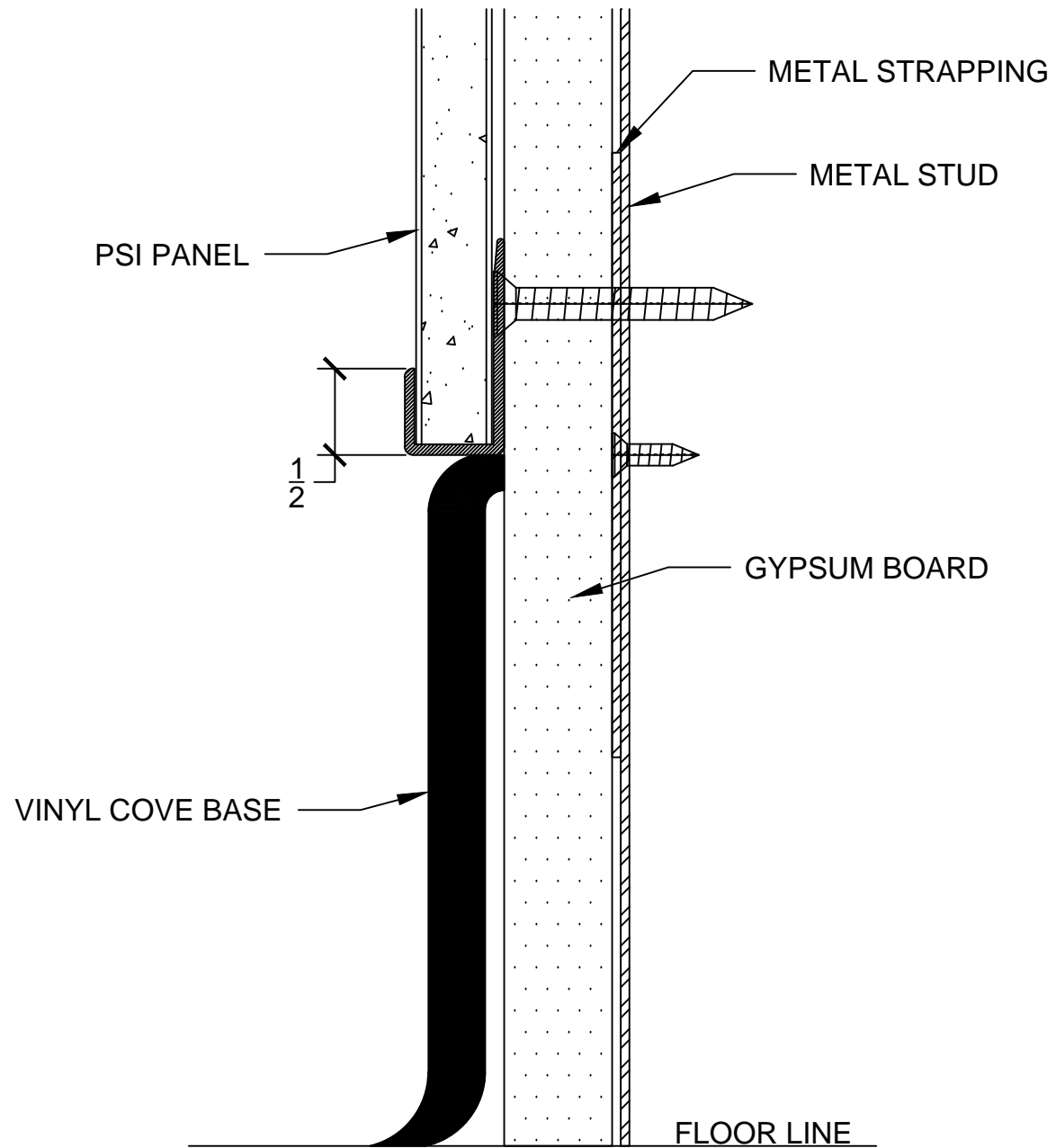
#412H HORIZONTAL BATTEN DIVIDER

ISOMETRIC VIEW



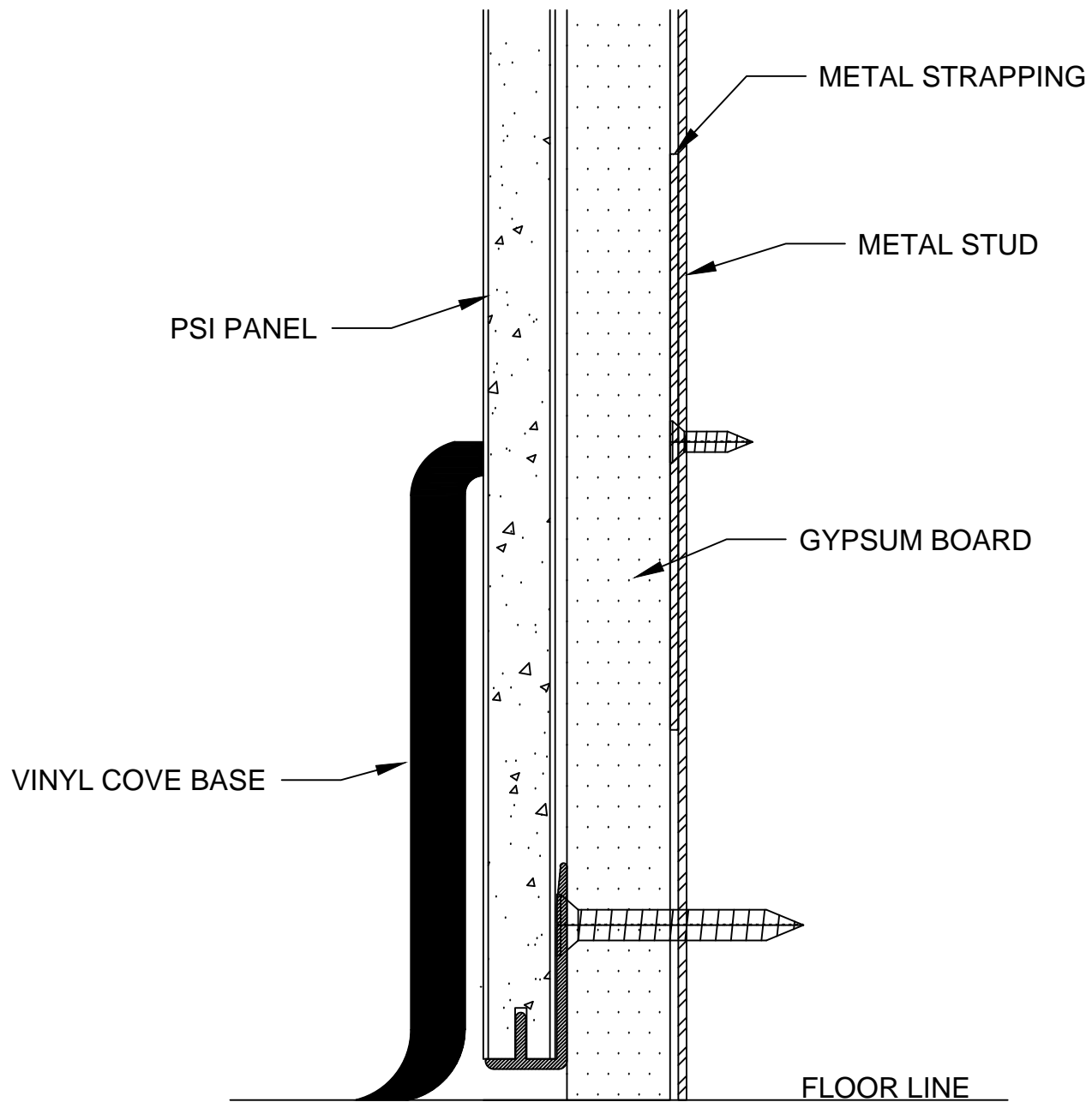
#302A VERTICAL REVEAL / DIVIDER

TOP VIEW



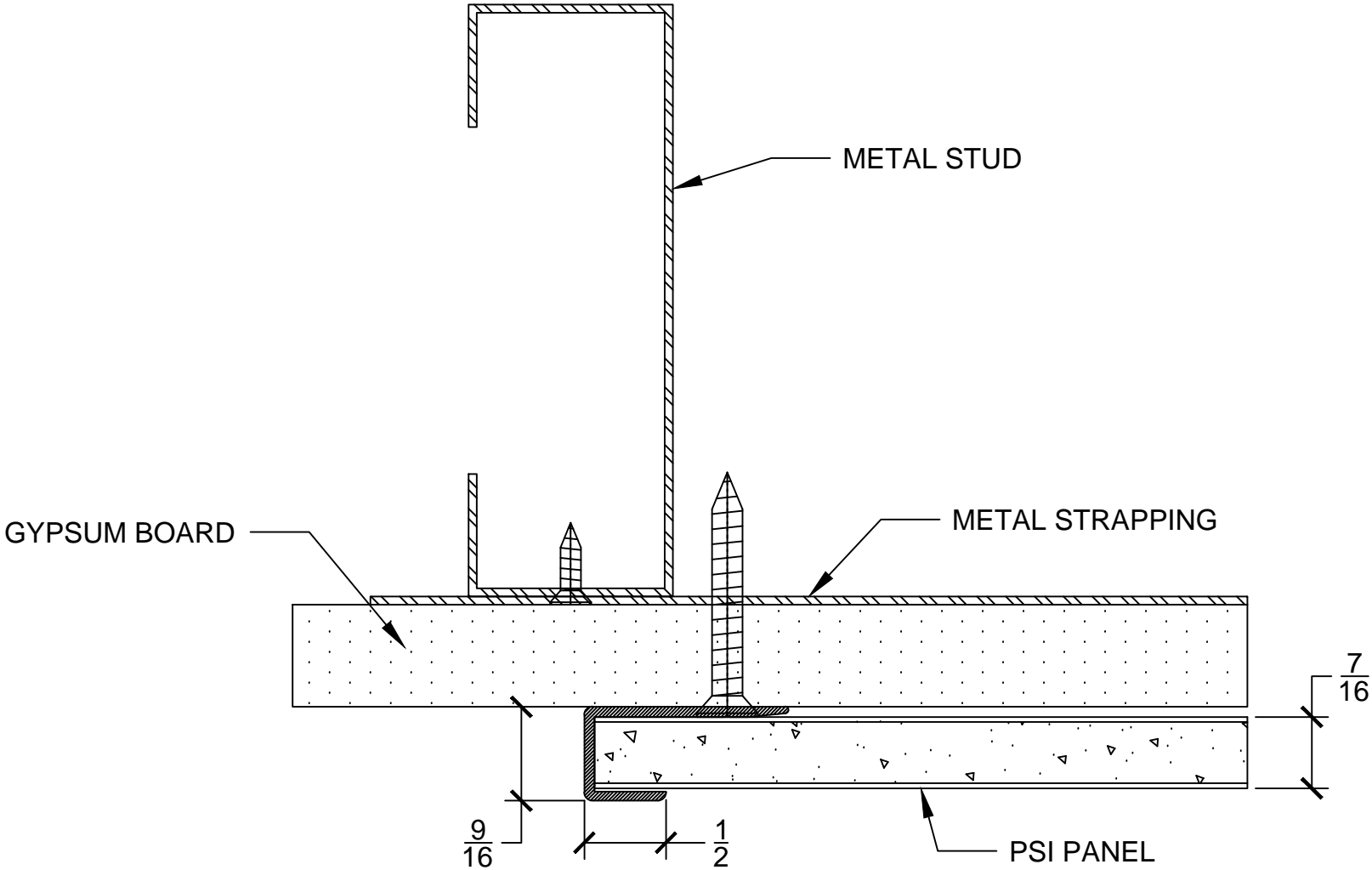
#304 HORIZONTAL TRIM - ABOVE BASE

RIGHT SIDE VIEW



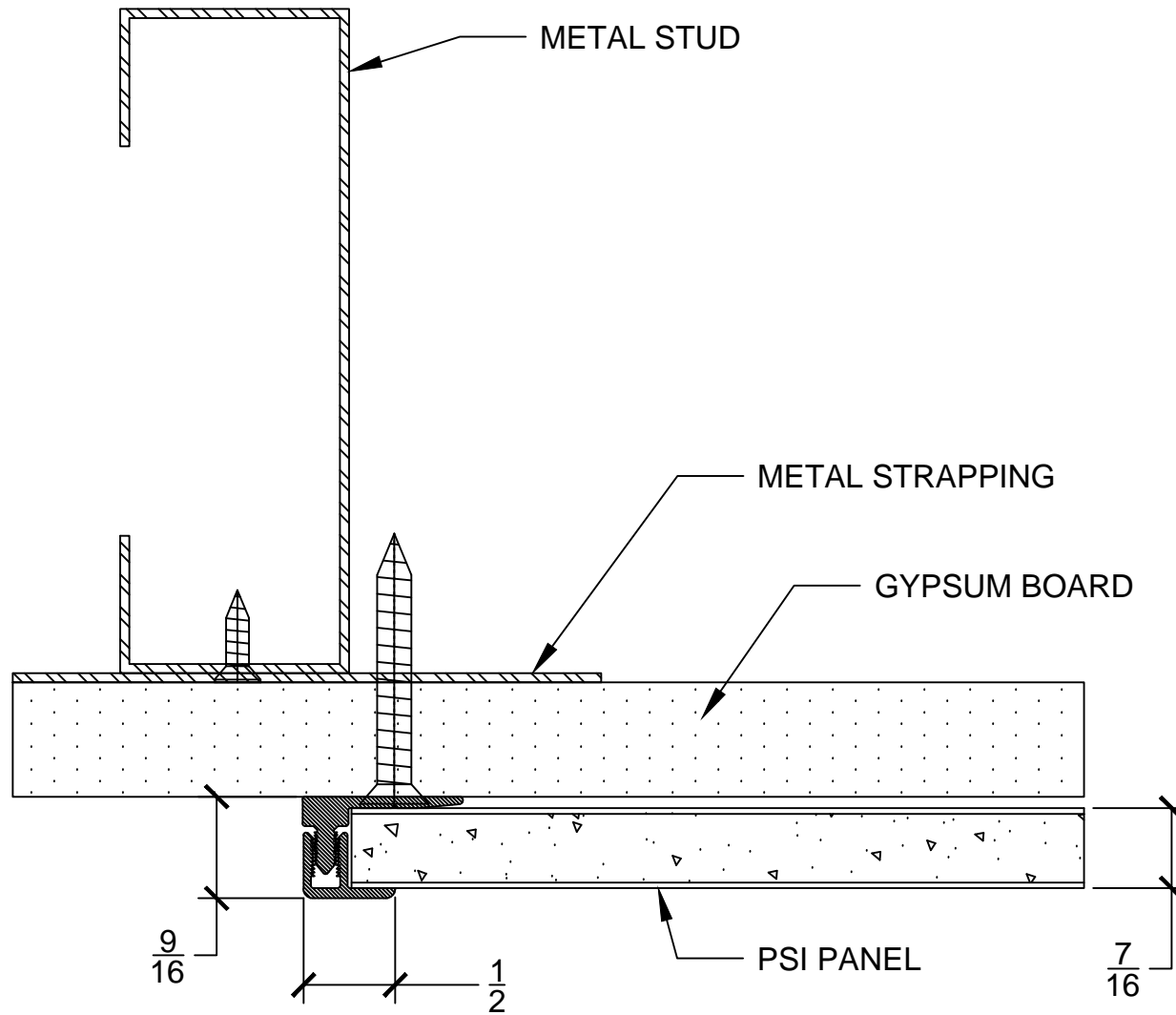
#305 HORIZONTAL TRIM - BEHIND BASE

RIGHT SIDE VIEW



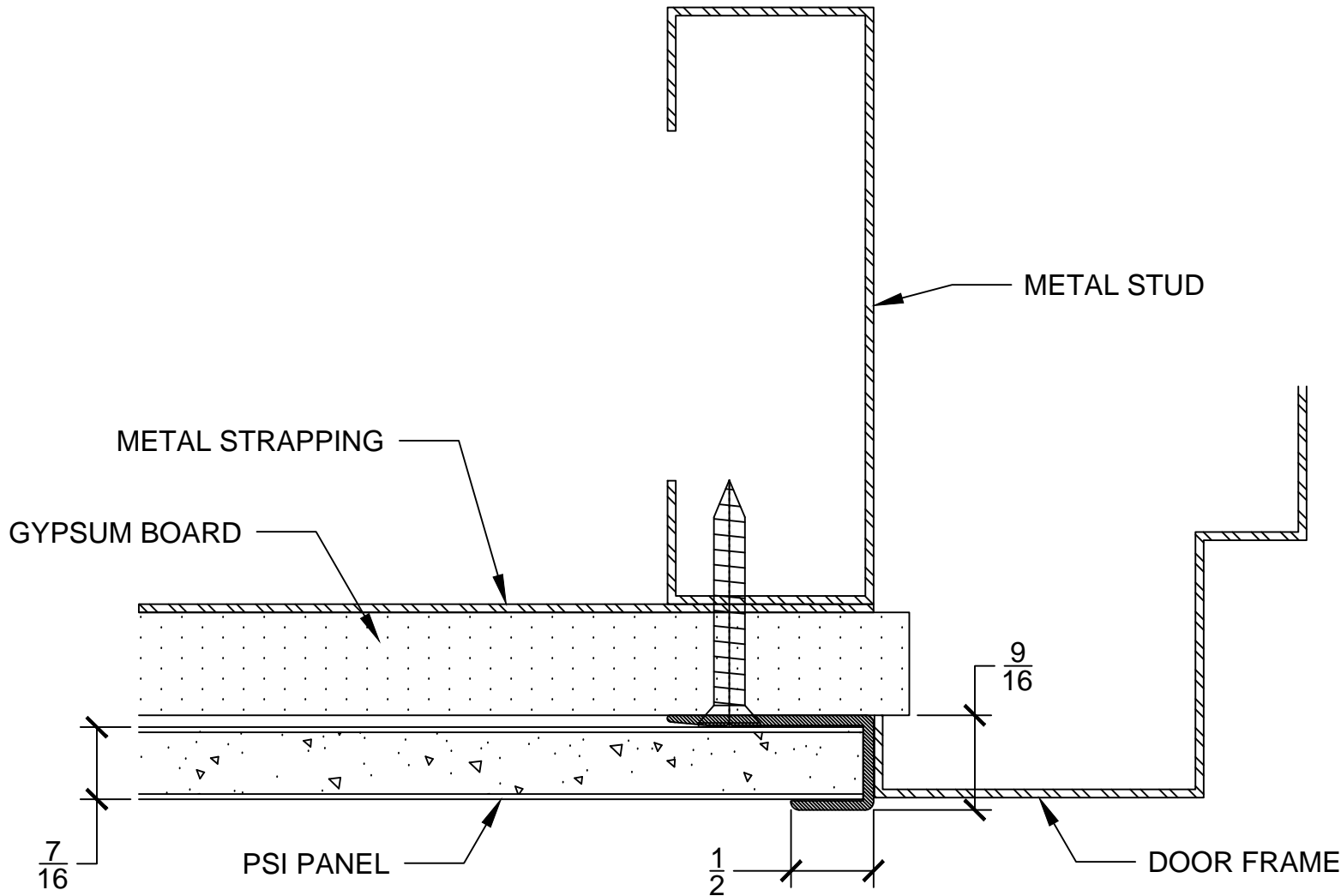
#304 VERTICAL EDGE TRIM

TOP VIEW



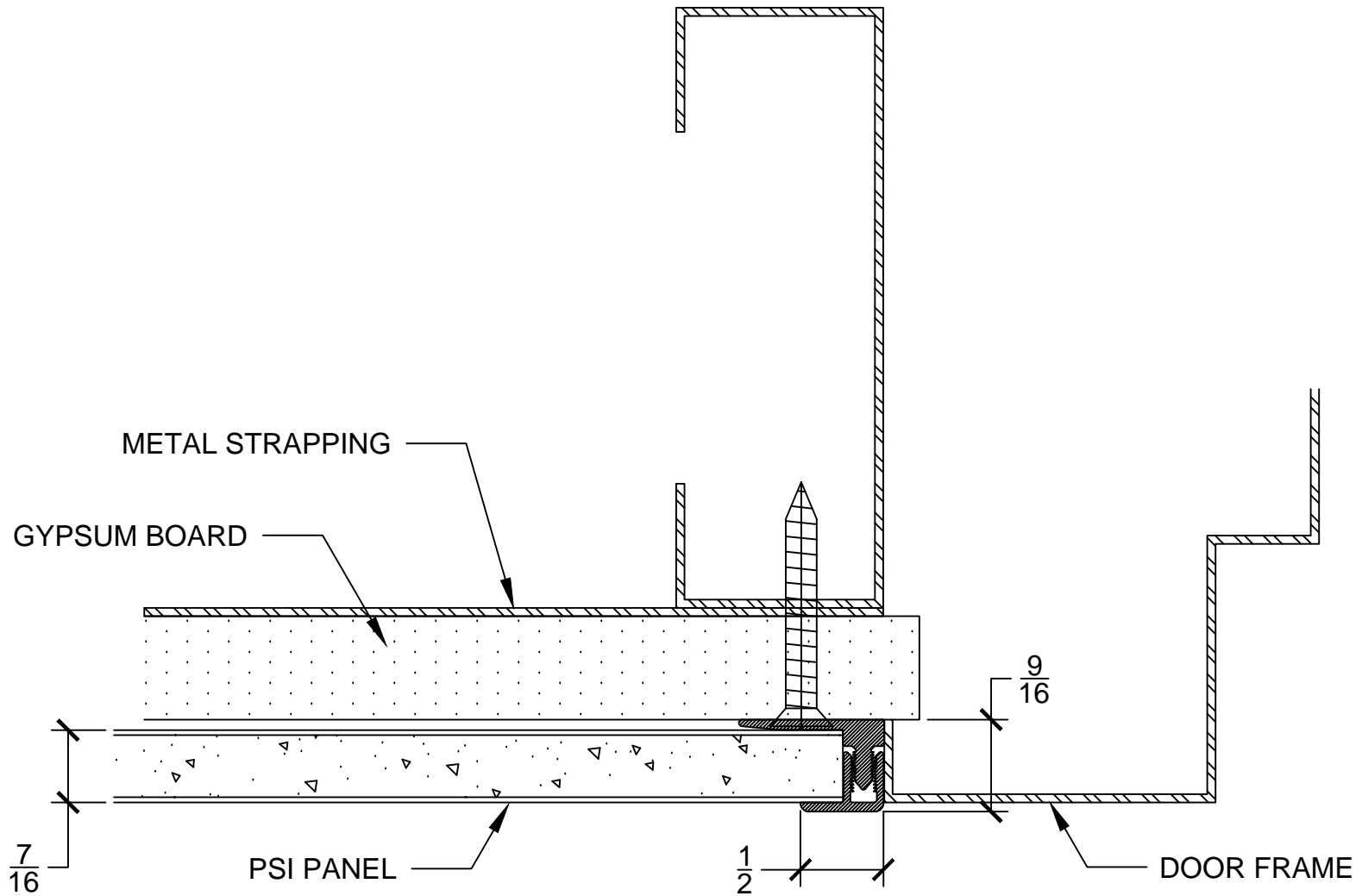
#304A VERTICAL EDGE TRIM

TOP VIEW



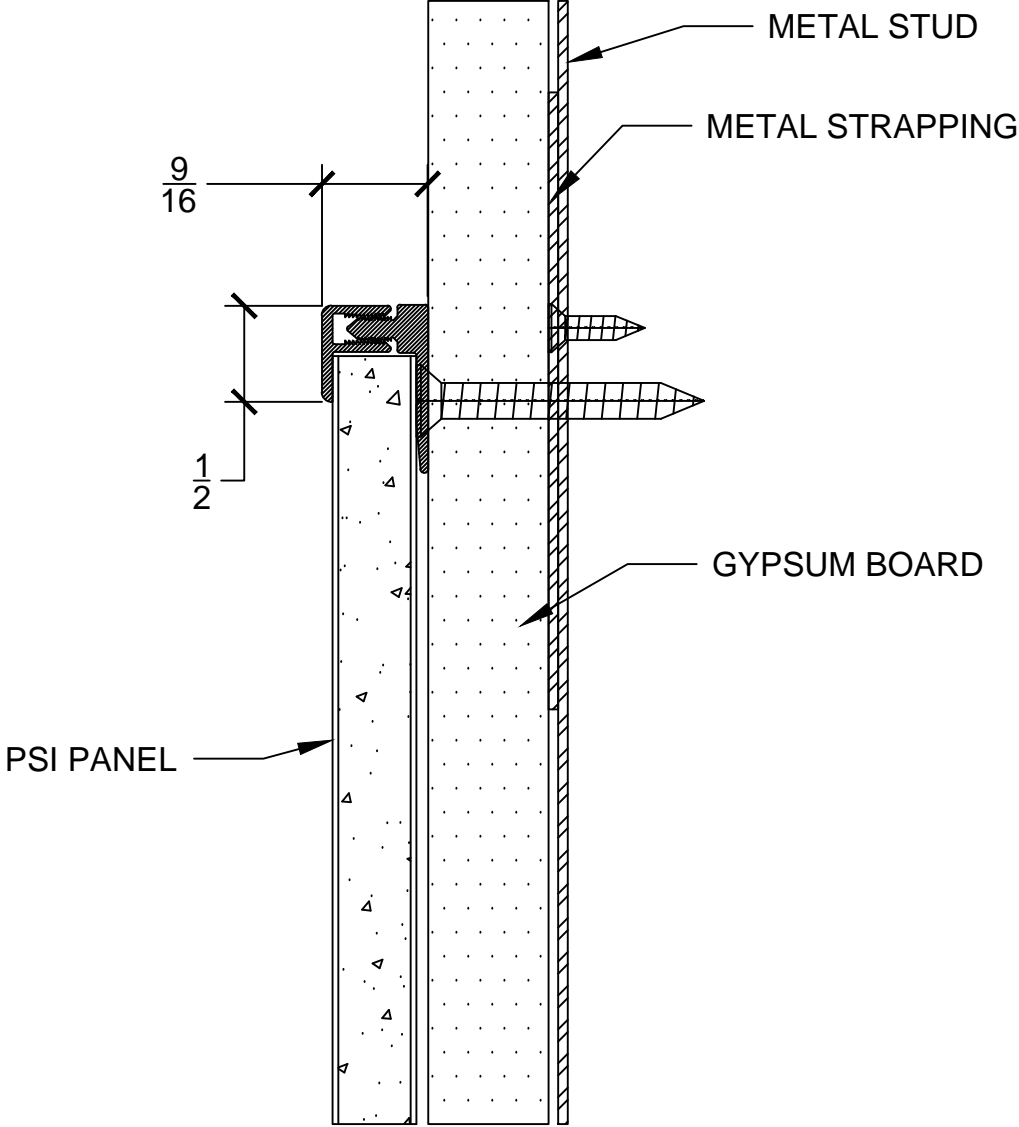
#304 EDGE TRIM @ DOOR OR WINDOW FRAME

TOP VIEW



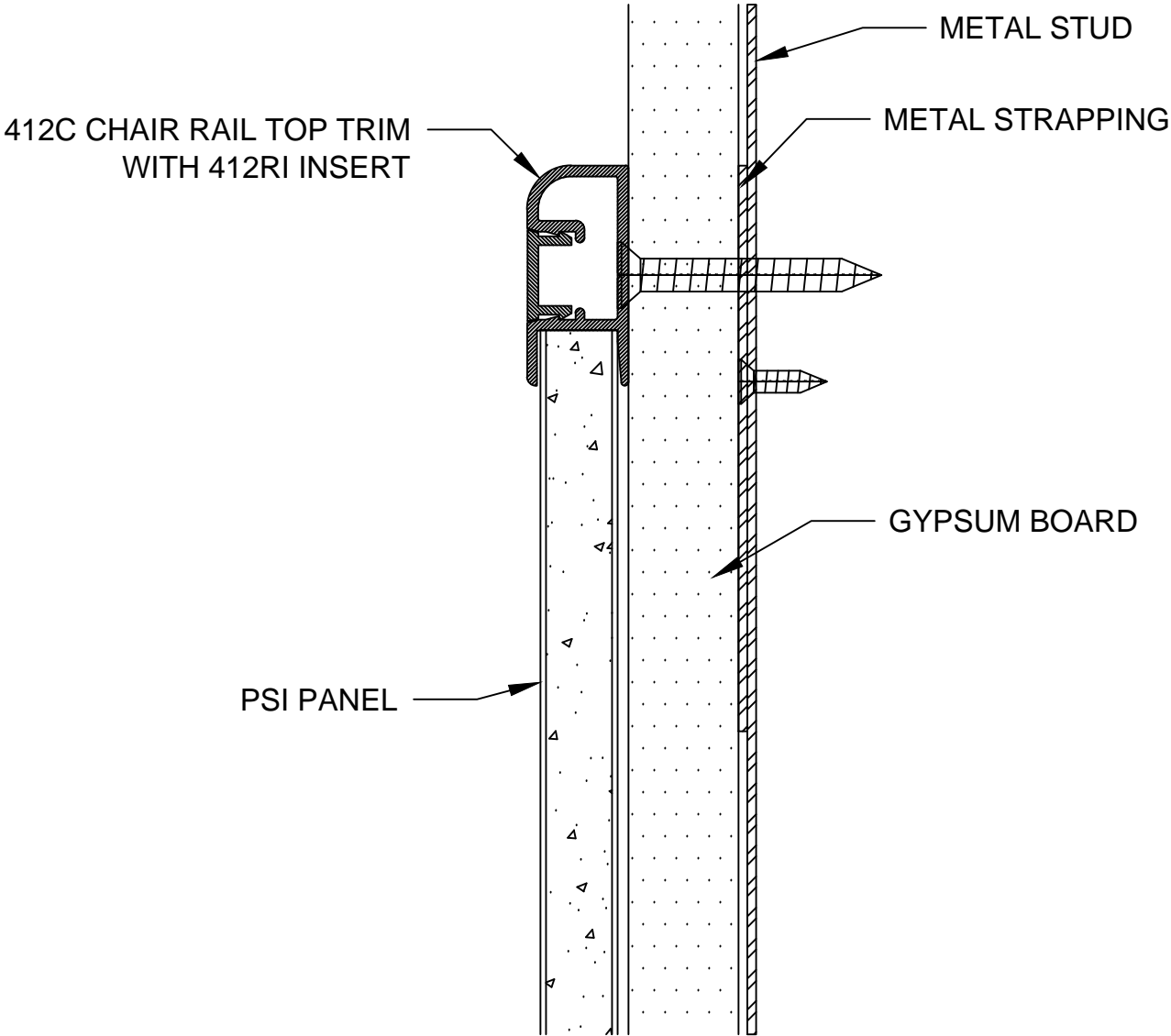
#304A EDGE TRIM @ DOOR OR WINDOW FRAME

TOP VIEW



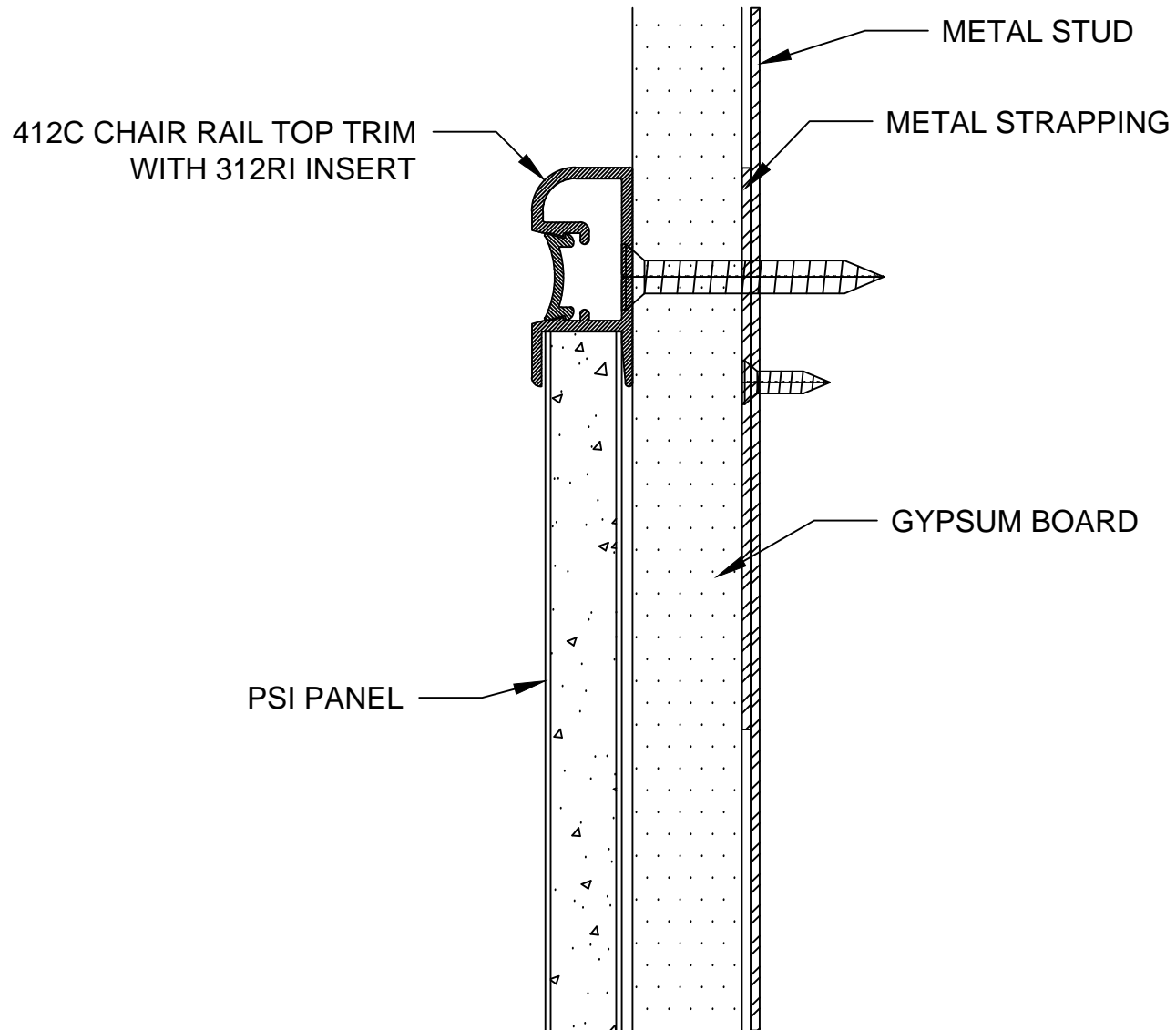
#304A TOP TRIM

RIGHT SIDE VIEW



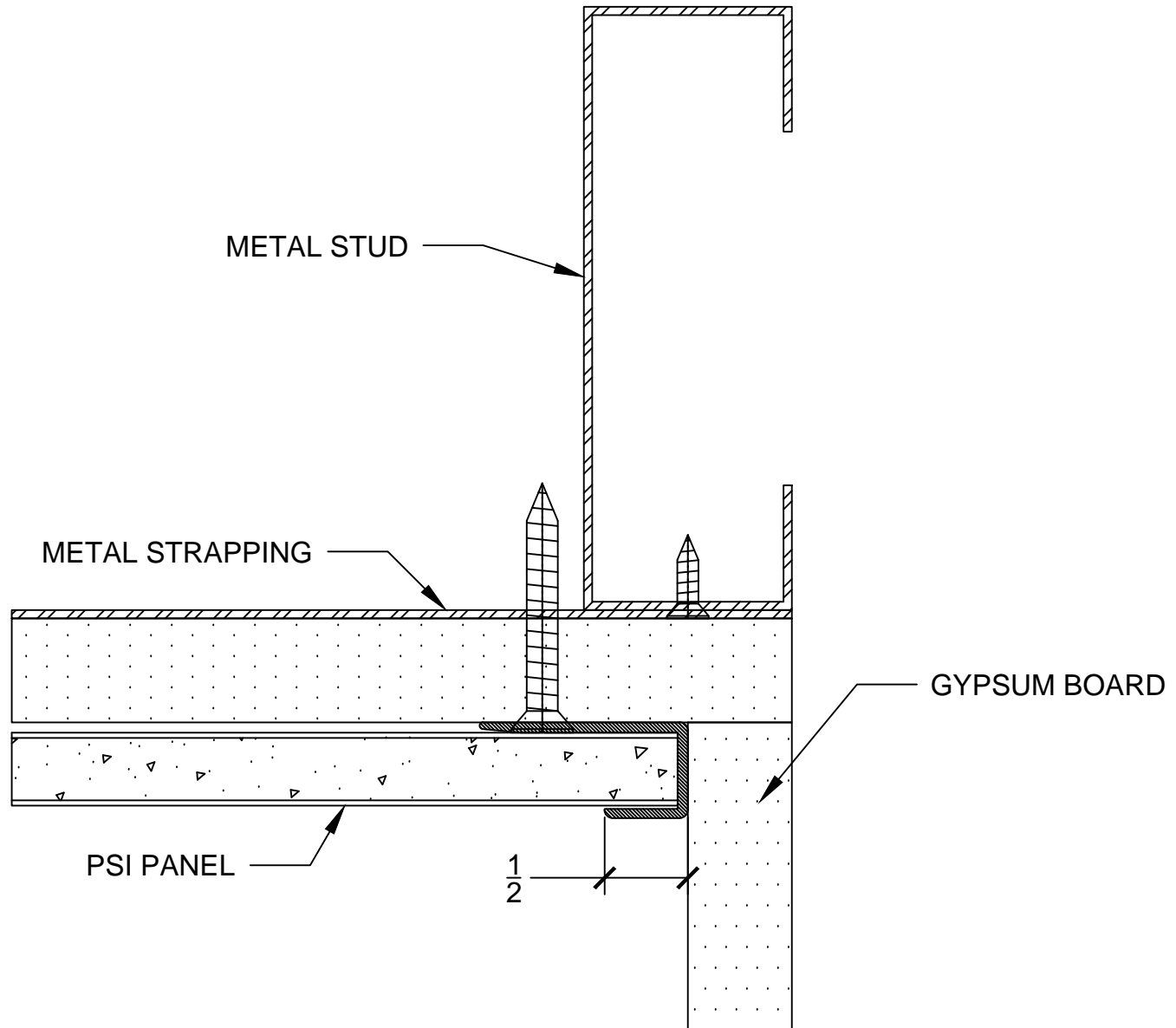
412C WAINSCOT CHAIR RAIL TOP TRIM

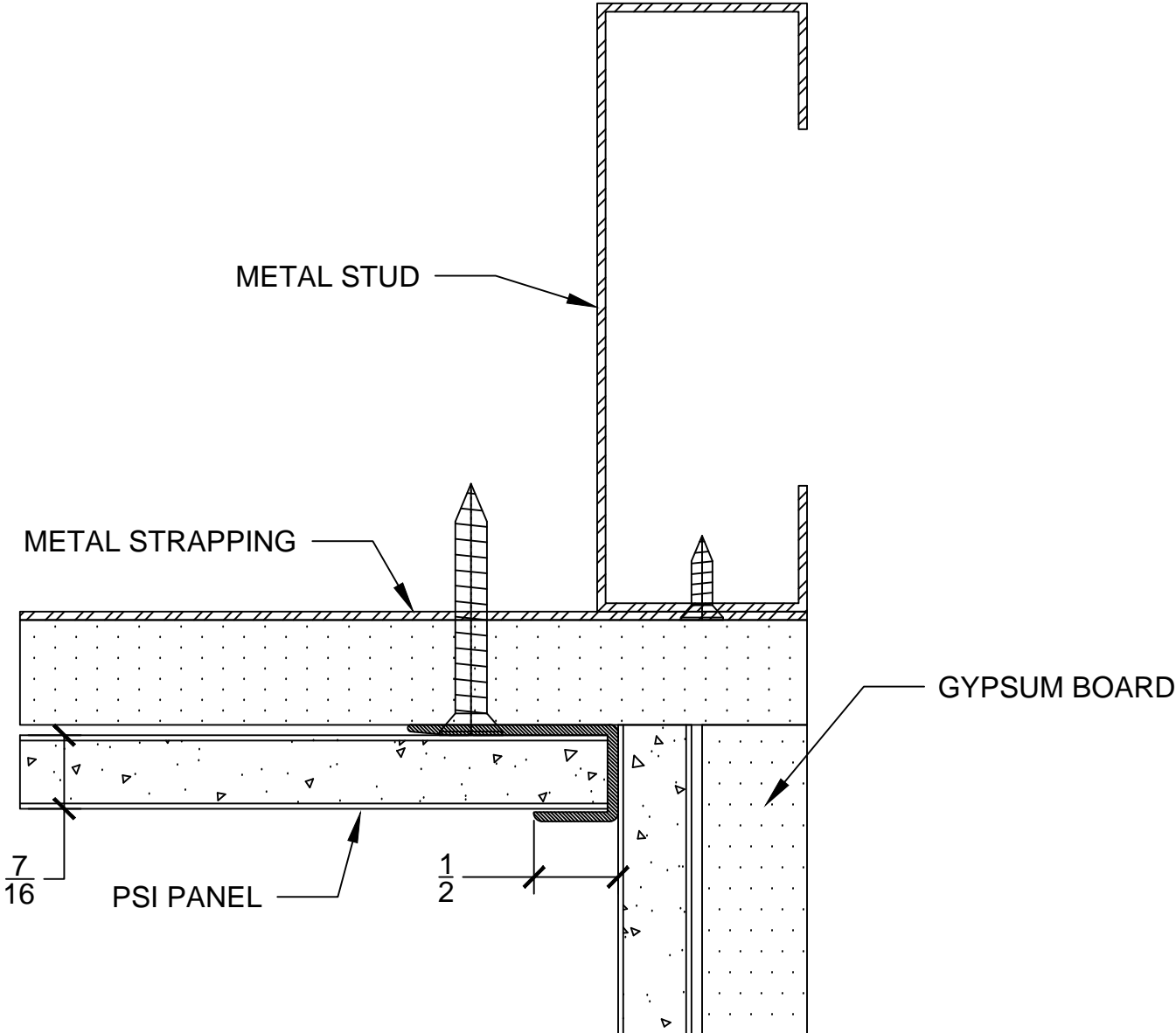
RIGHT SIDE VIEW



412C WAINSCOT CHAIR RAIL TOP TRIM

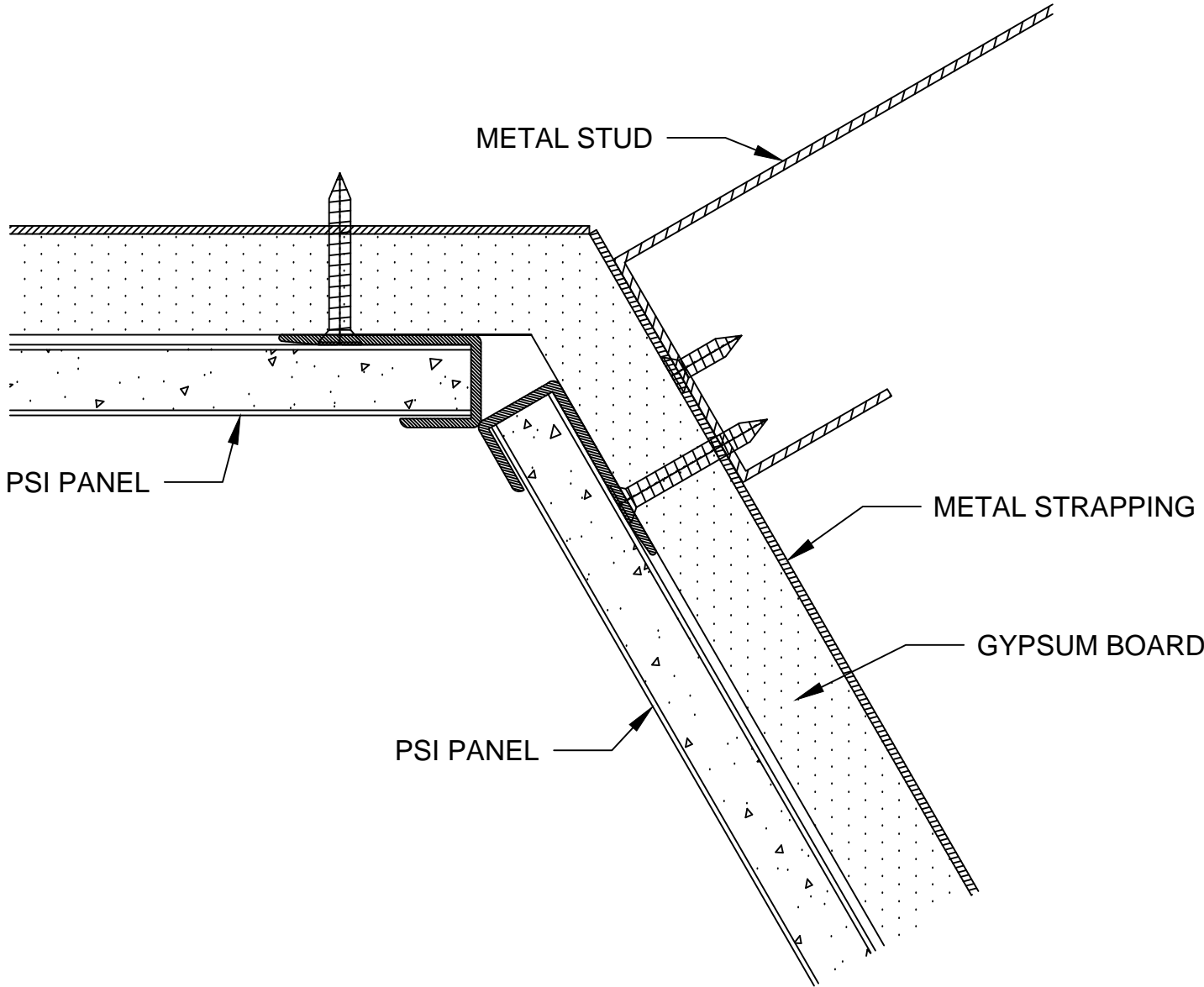
RIGHT SIDE VIEW





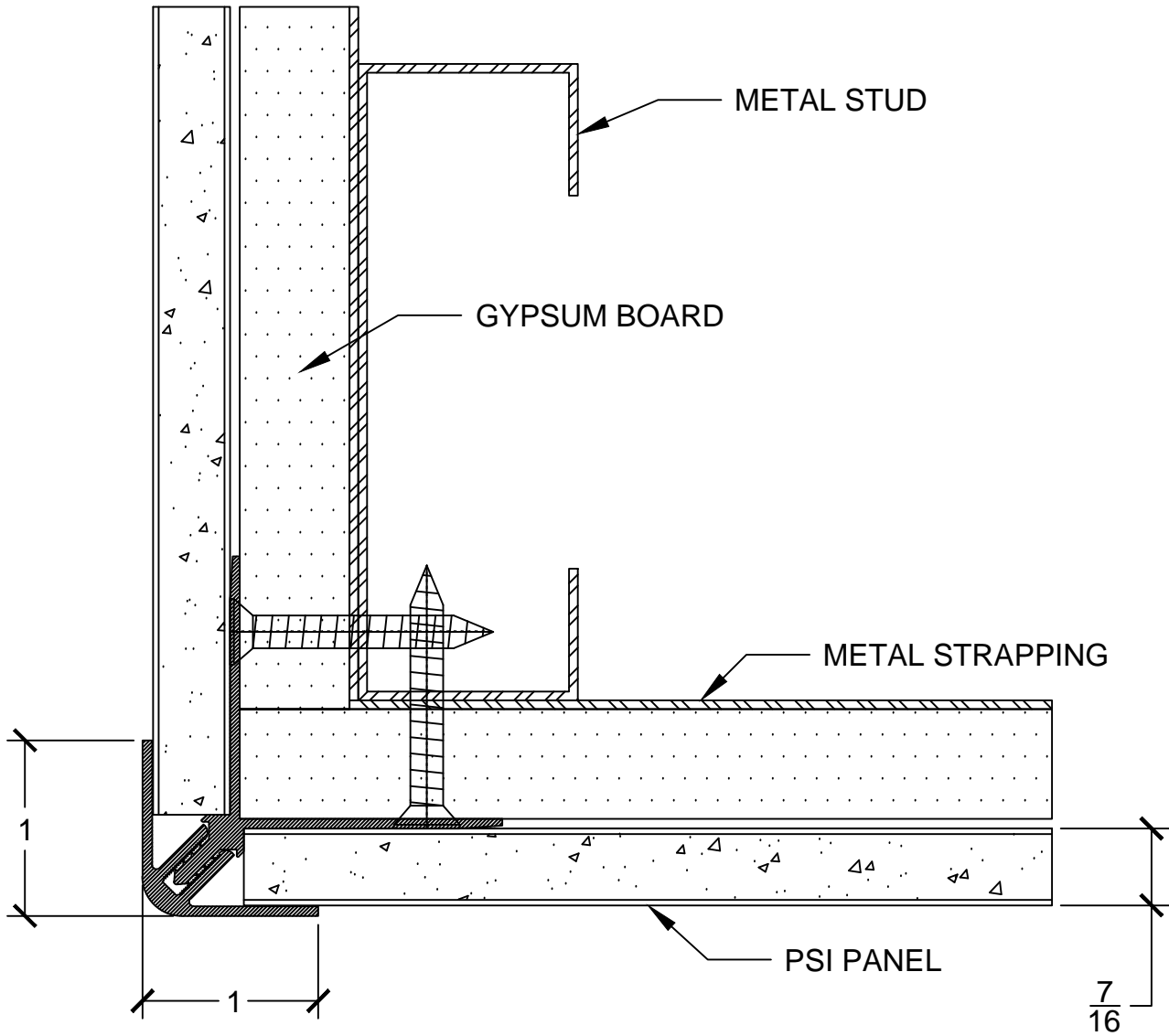
#304 INSIDE CORNER

TOP VIEW



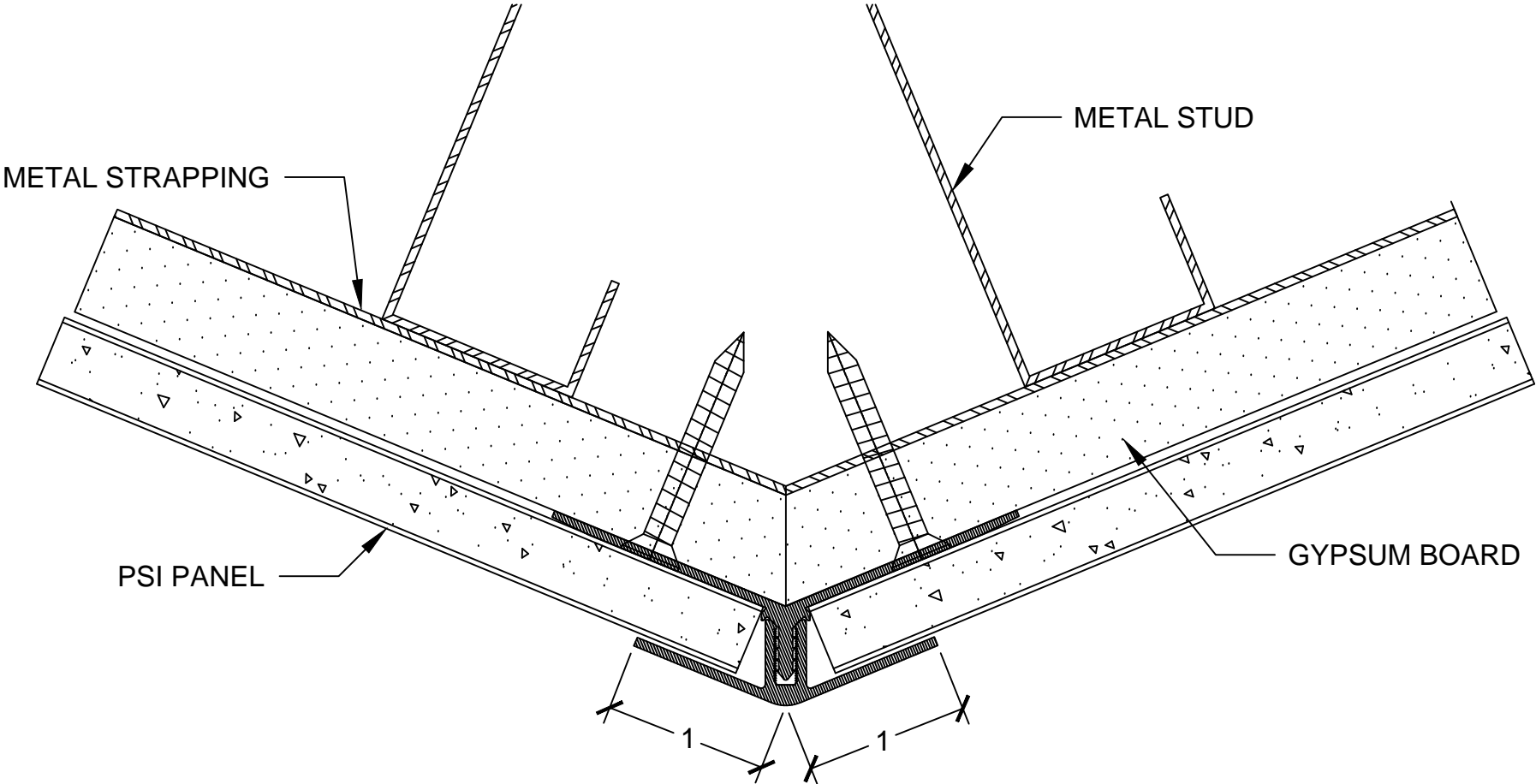
#304 ANGLED INSIDE CORNER

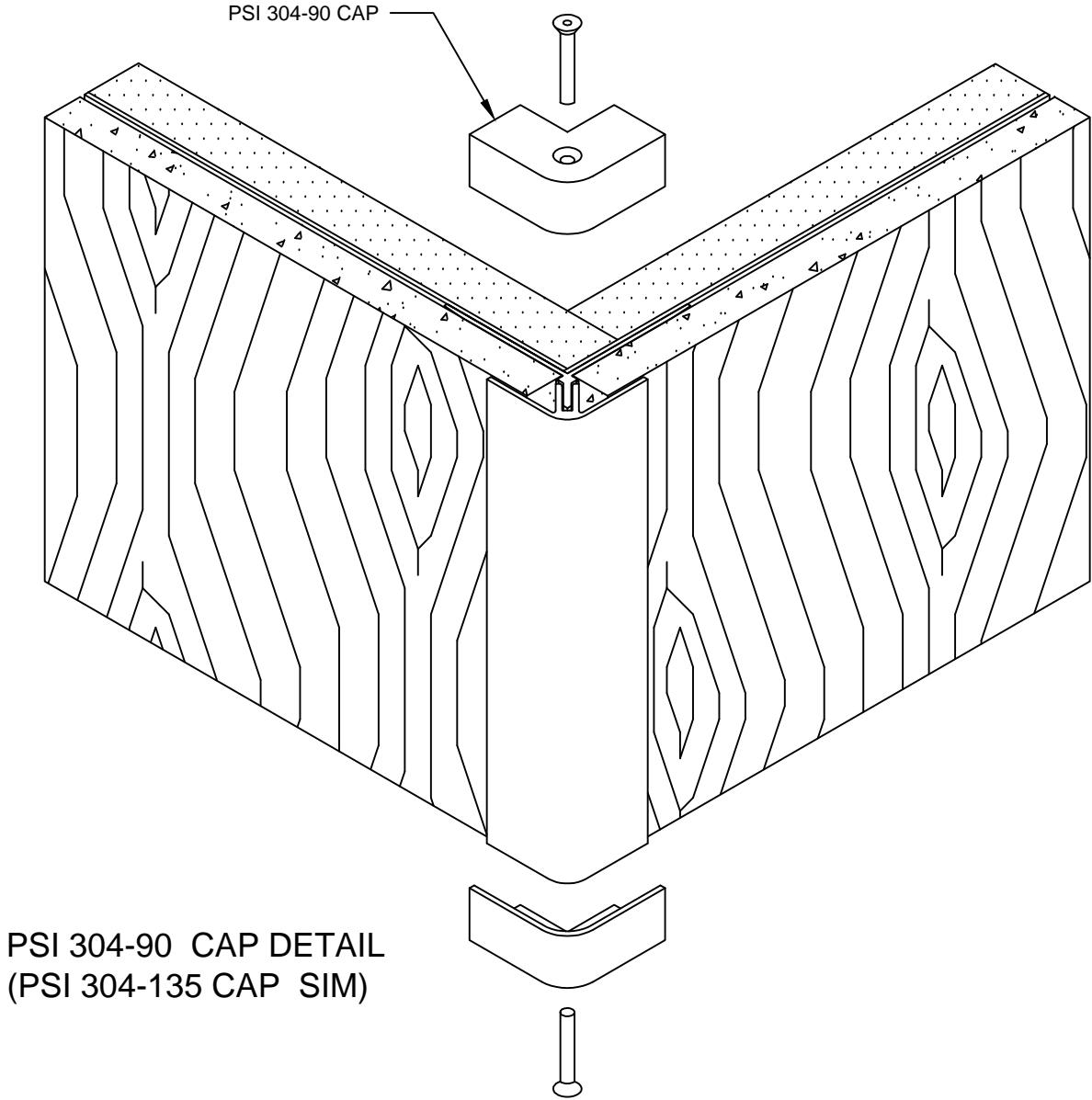
TOP VIEW

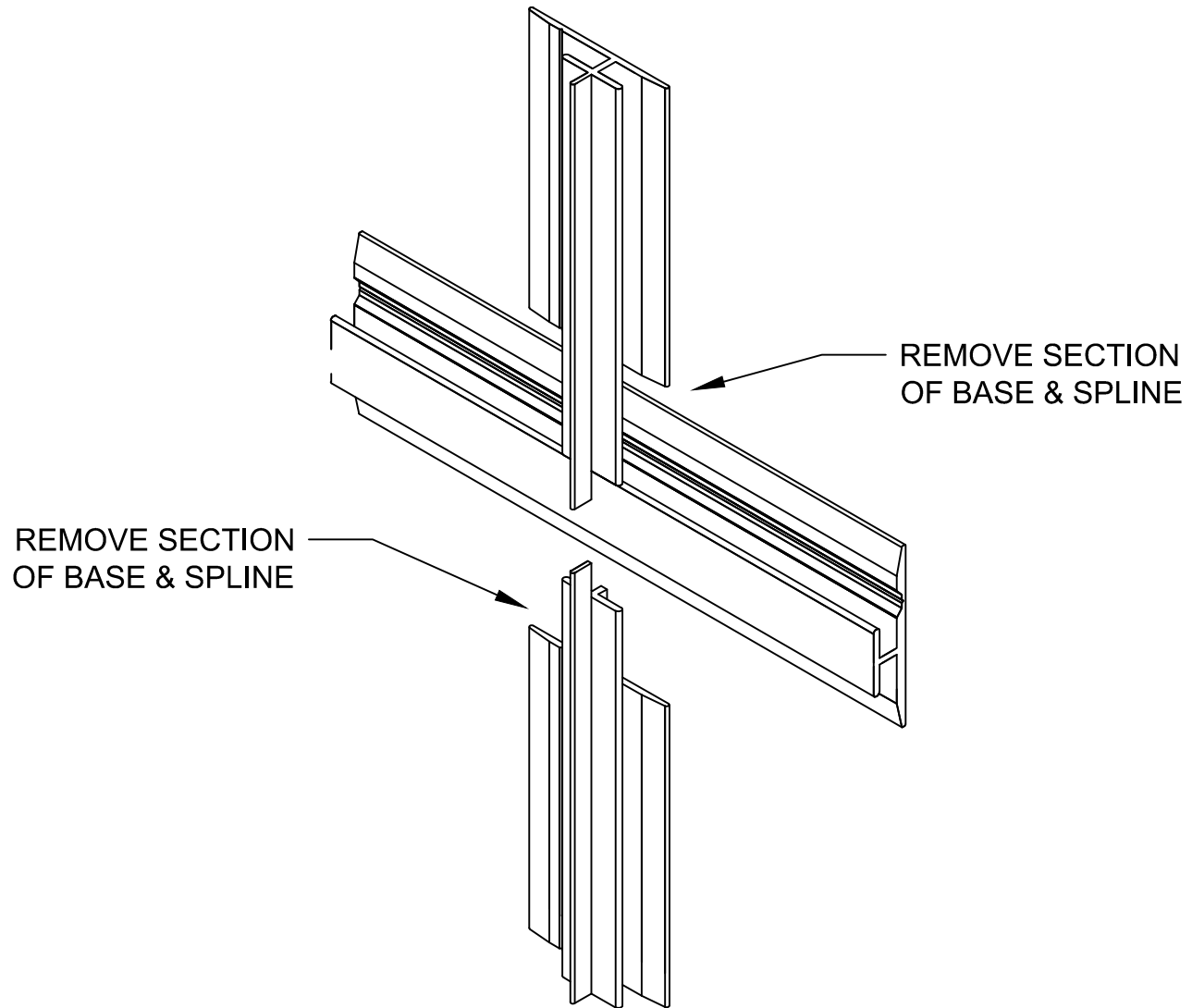


#103L-90 OUTSIDE CORNER

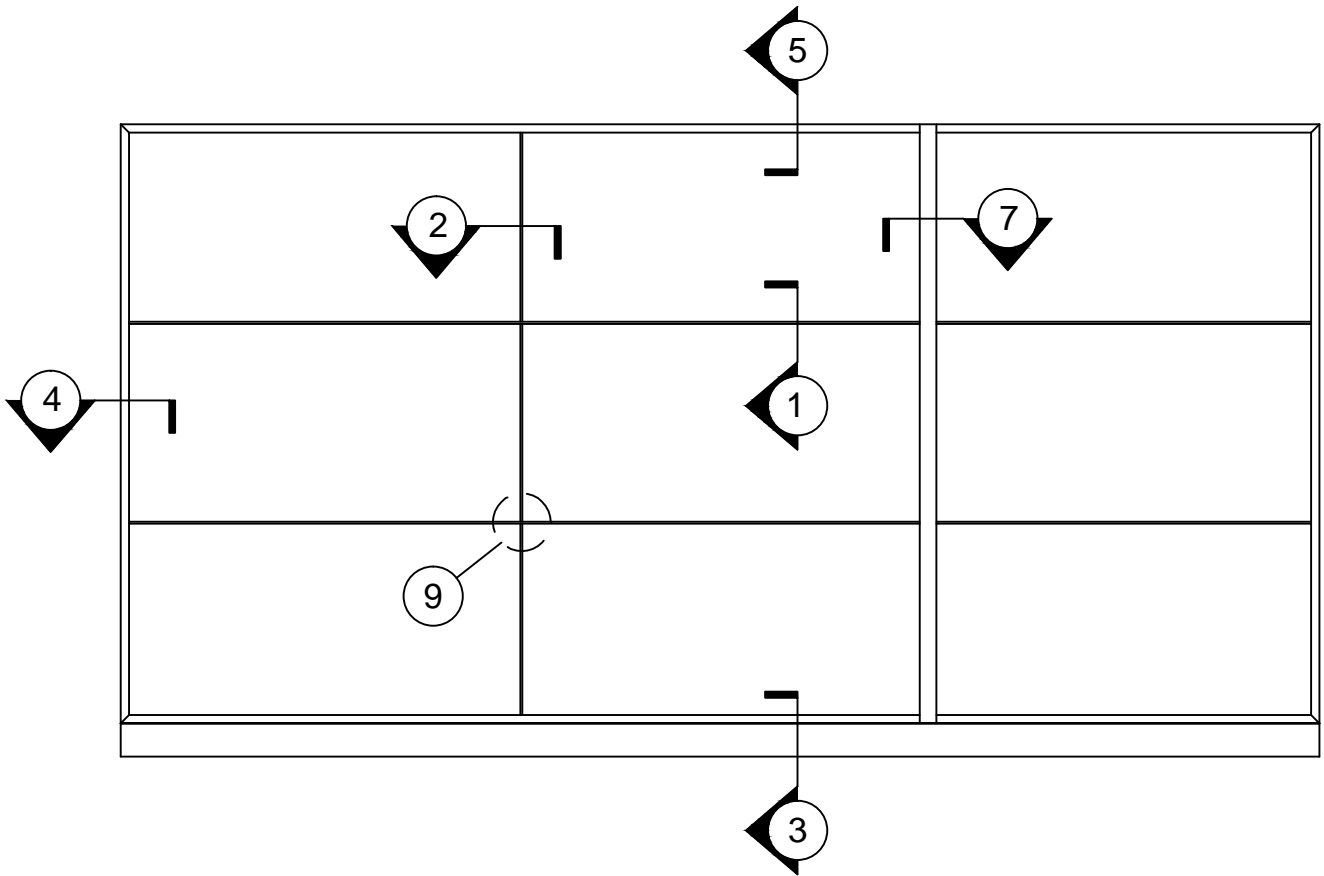
TOP VIEW



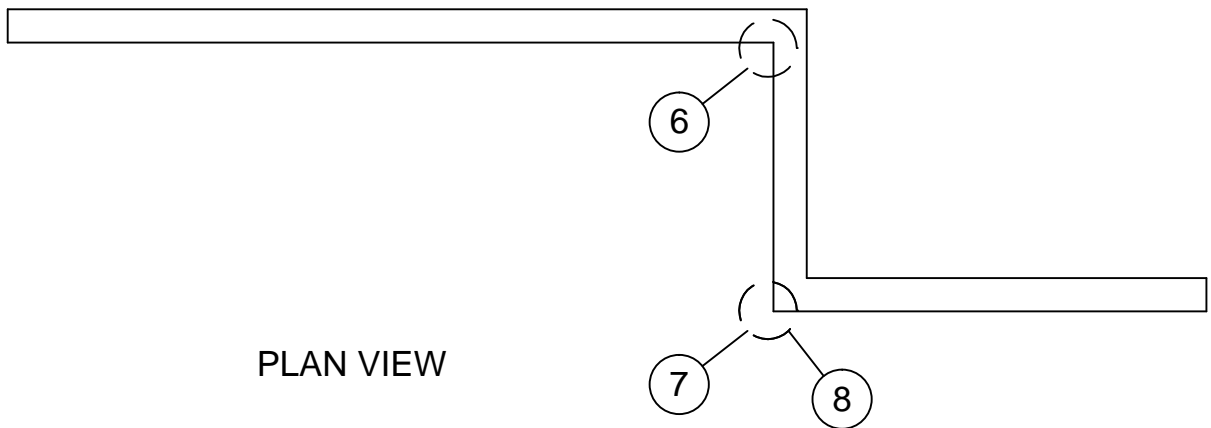




PANEL SPECIALISTS INC.
WALL PANEL SYSTEM
310EB-310



ELEVATION VIEW



PLAN VIEW