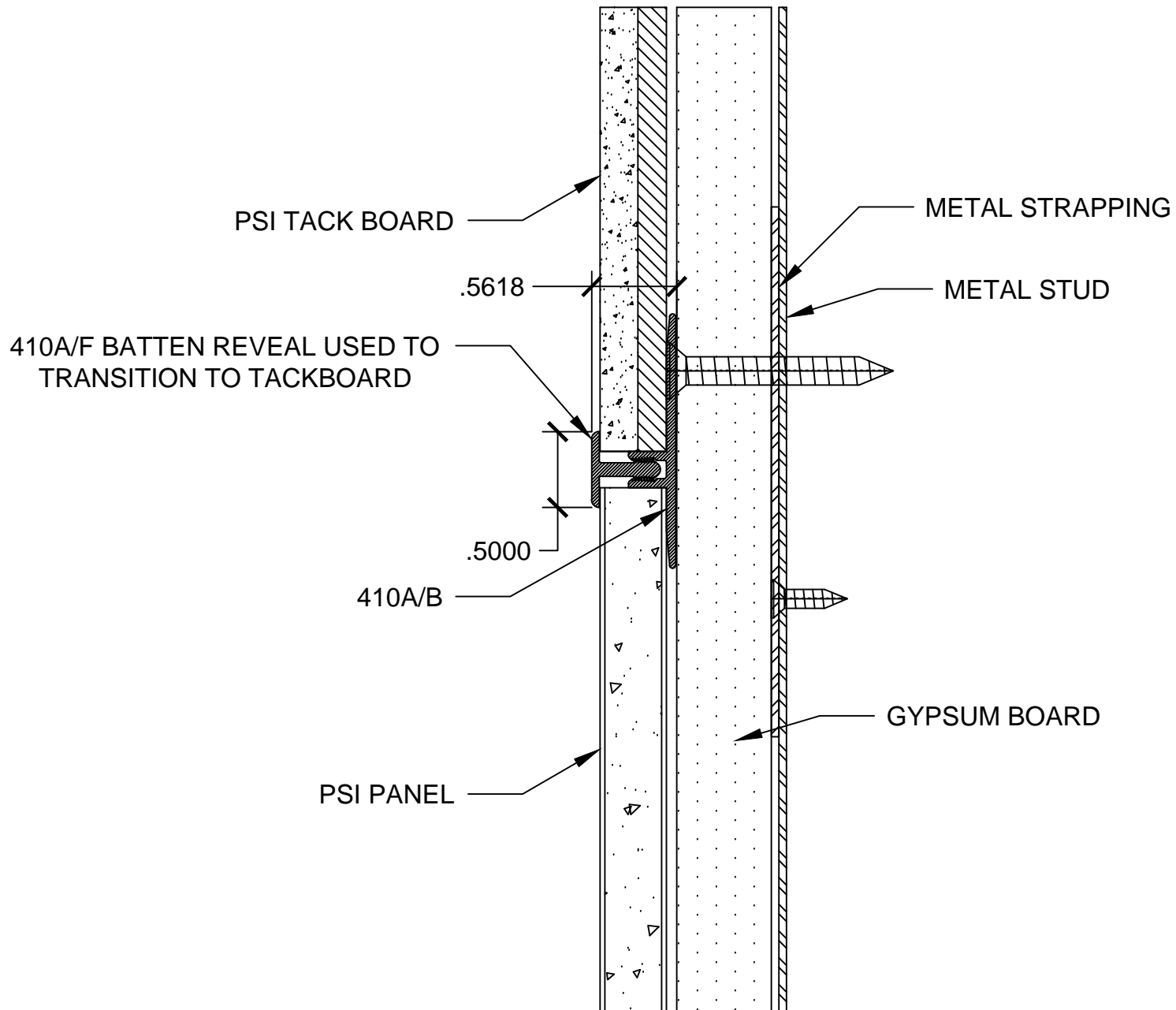


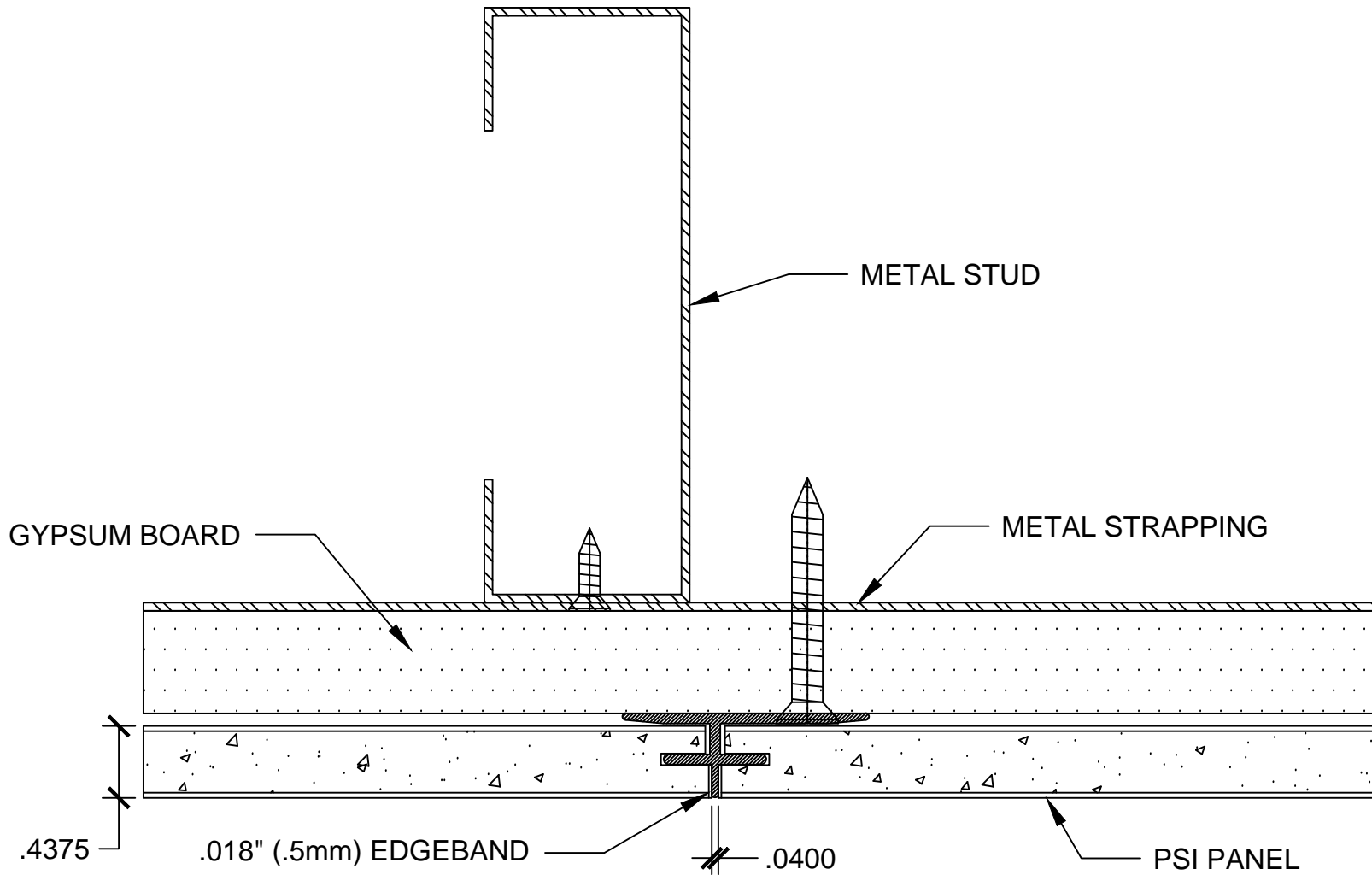
#302A HORIZONTAL REVEAL / DIVIDER

RIGHT SIDE VIEW



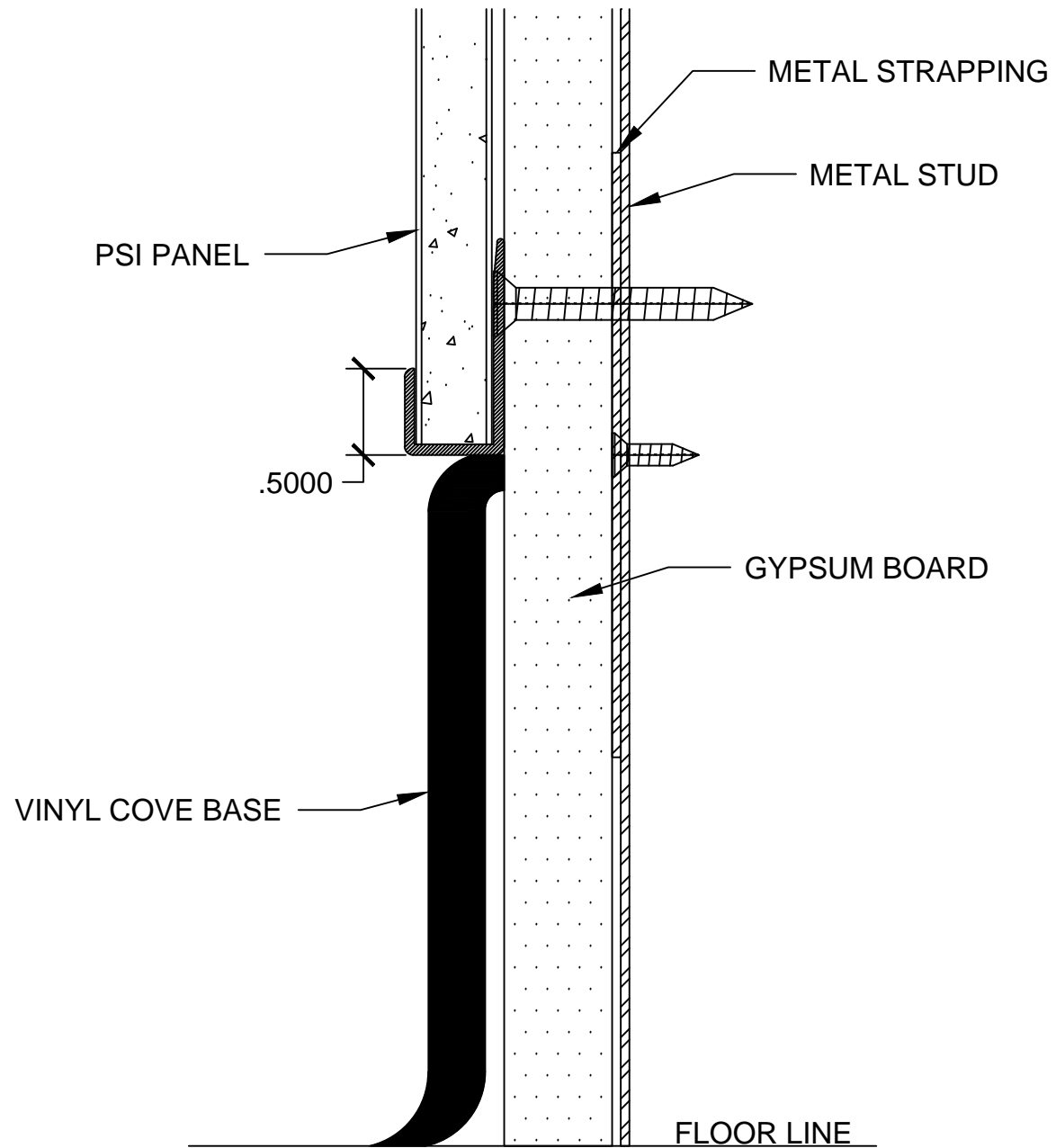
#410A HORIZONTAL BATTEN / DIVIDER

RIGHT SIDE VIEW



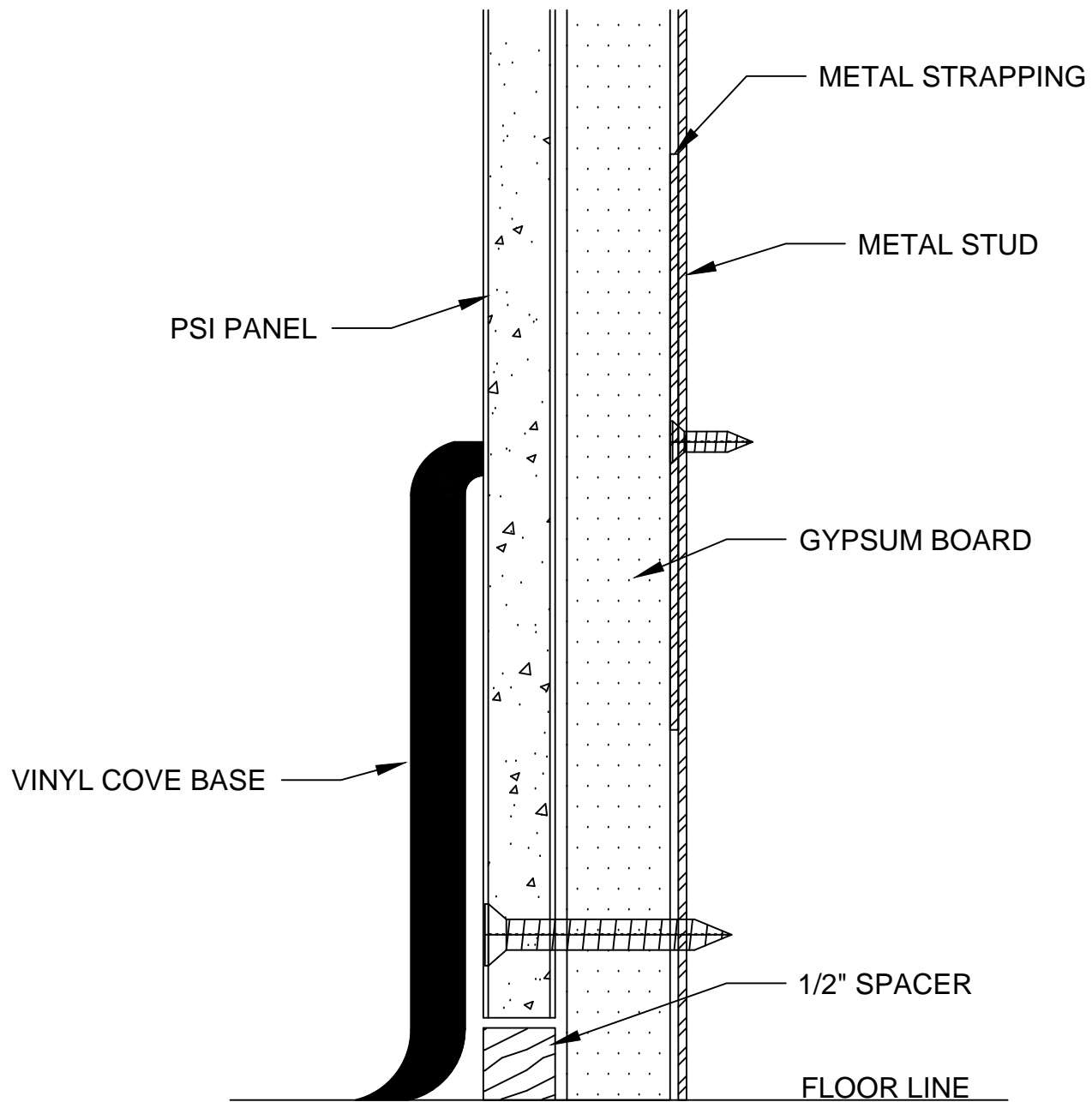
#302A VERTICAL REVEAL / DIVIDER

TOP VIEW



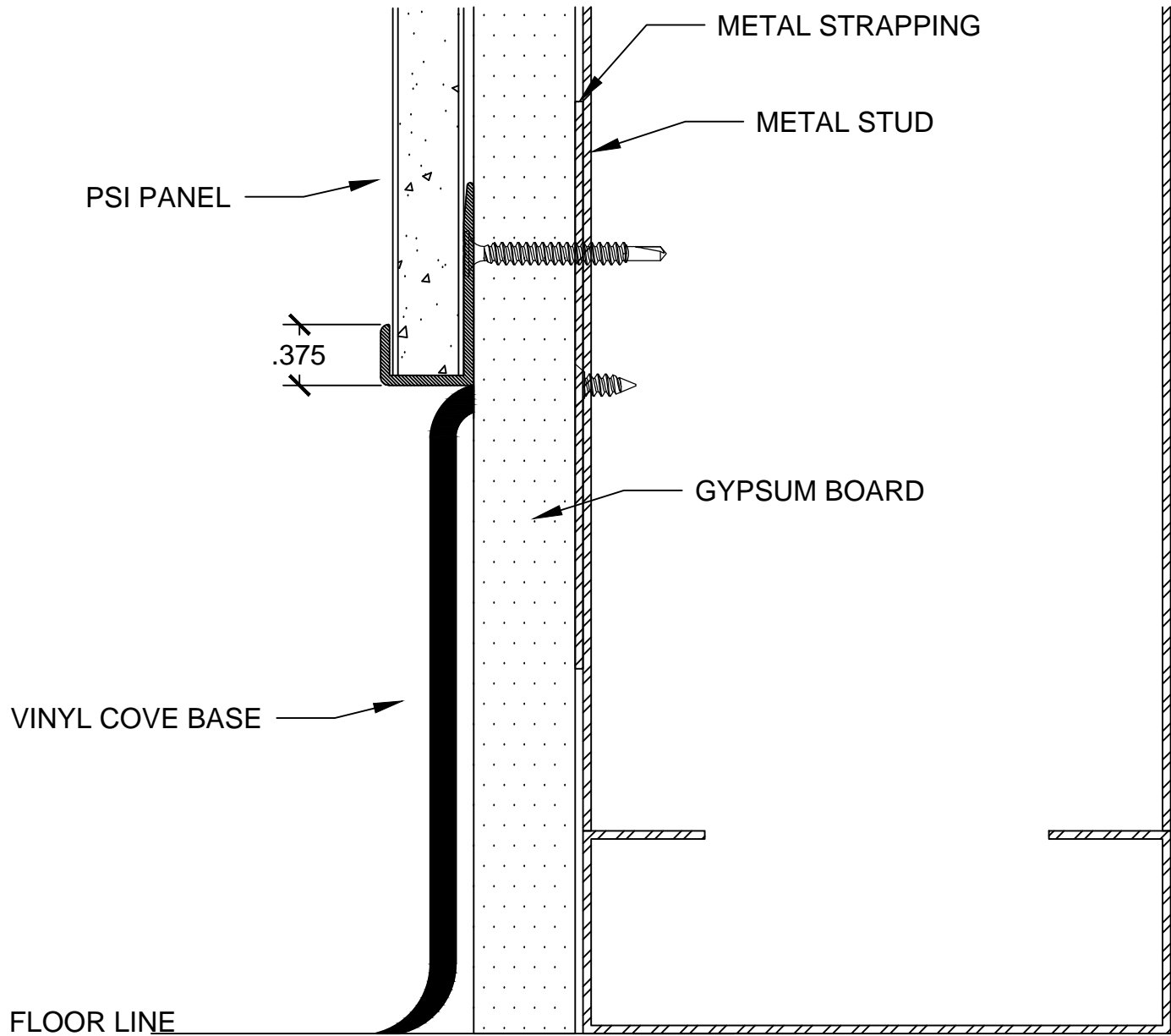
#304 HORIZONTAL TRIM - ABOVE BASE

RIGHT SIDE VIEW



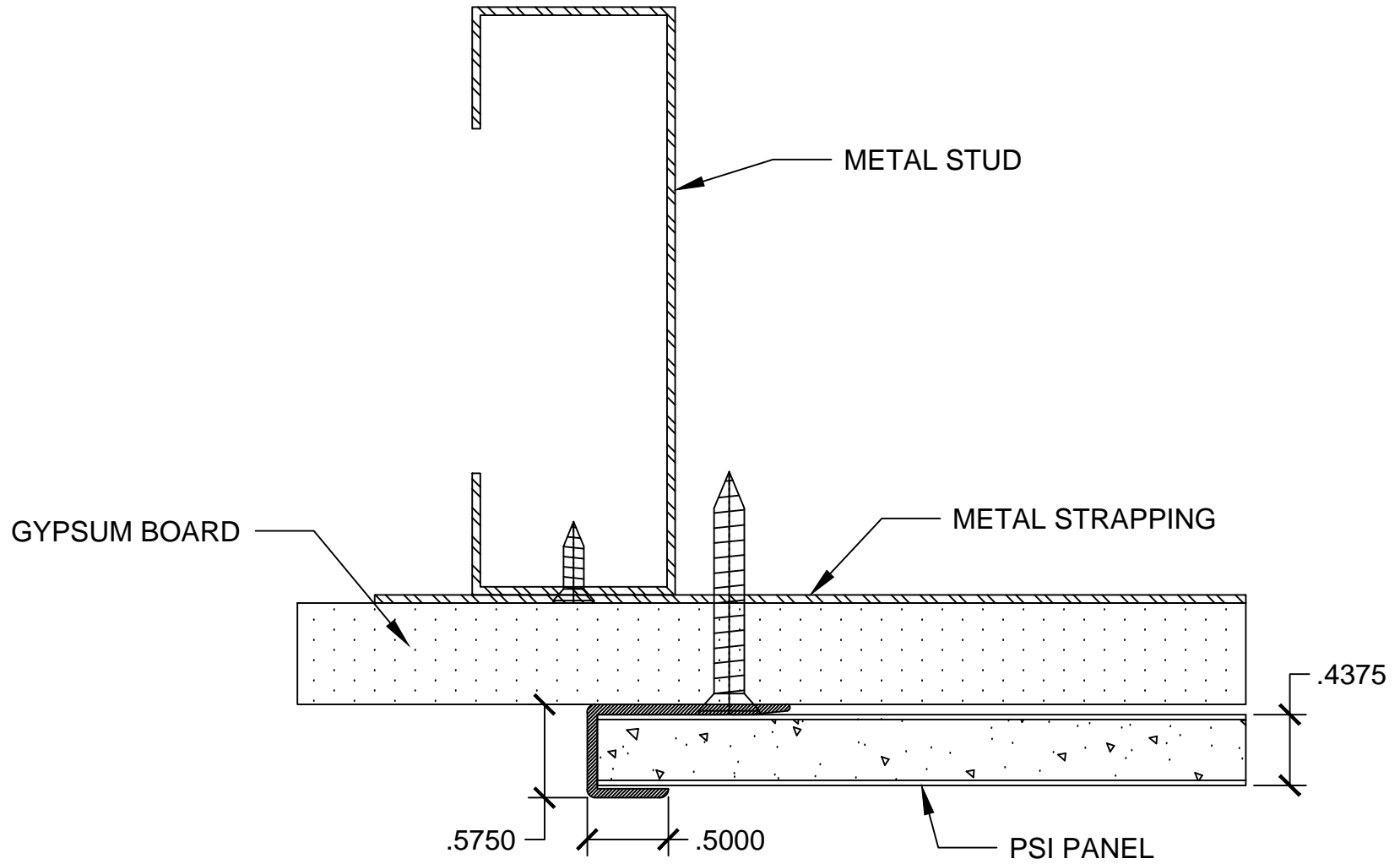
ALTERNATE - BEHIND BASE

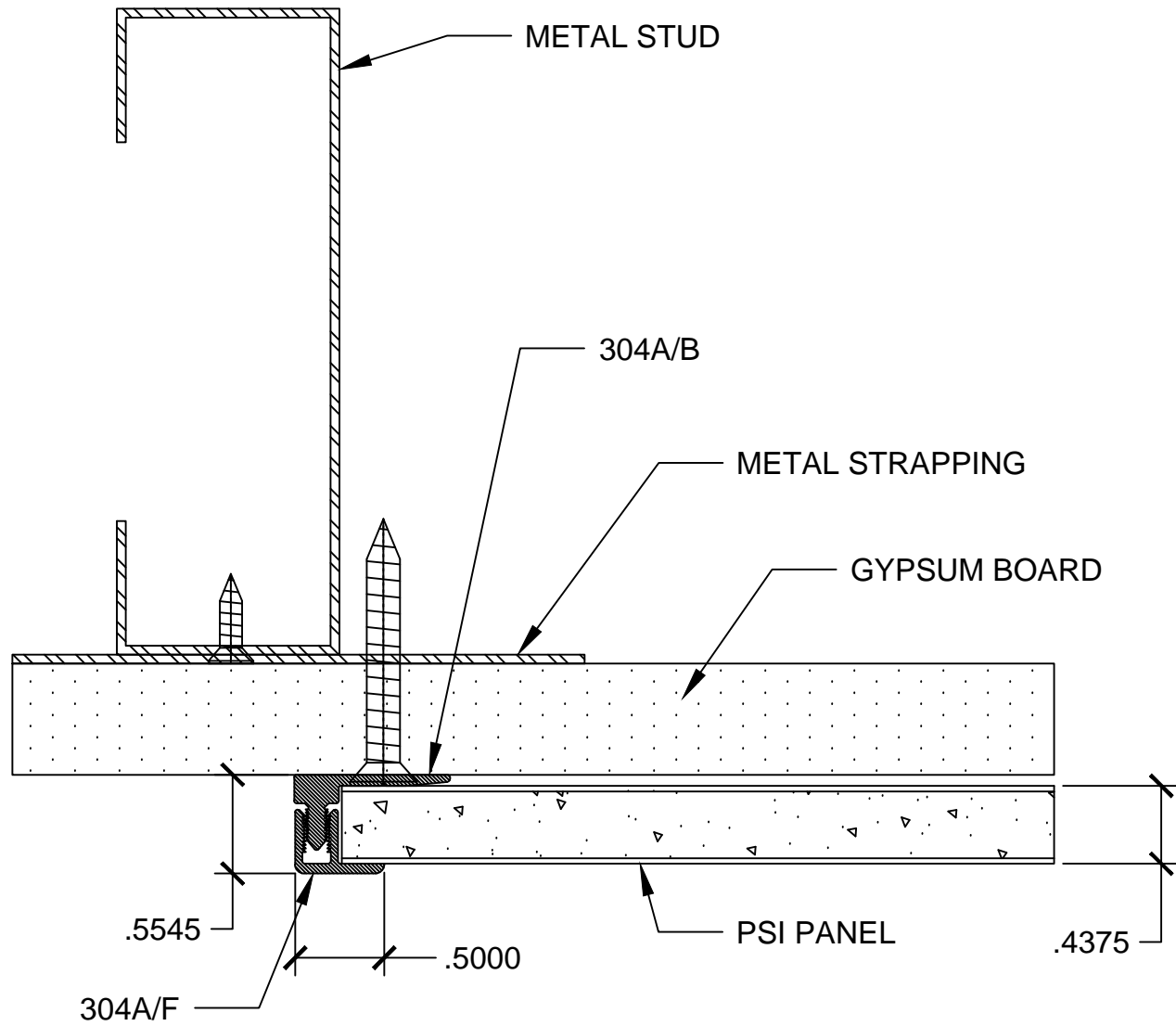
RIGHT SIDE VIEW



#604 HORIZONTAL TRIM - ABOVE BASE

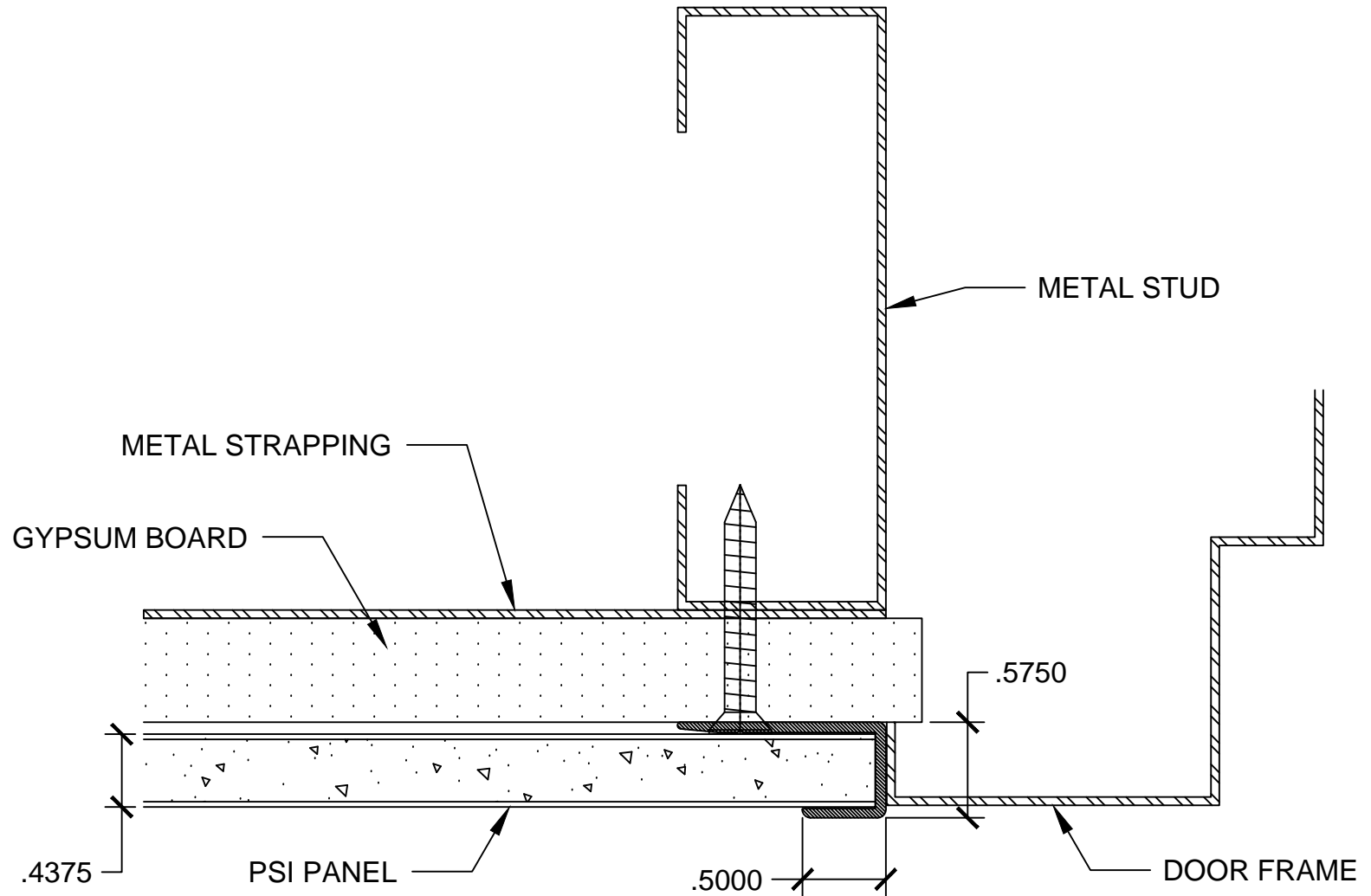
RIGHT SIDE VIEW





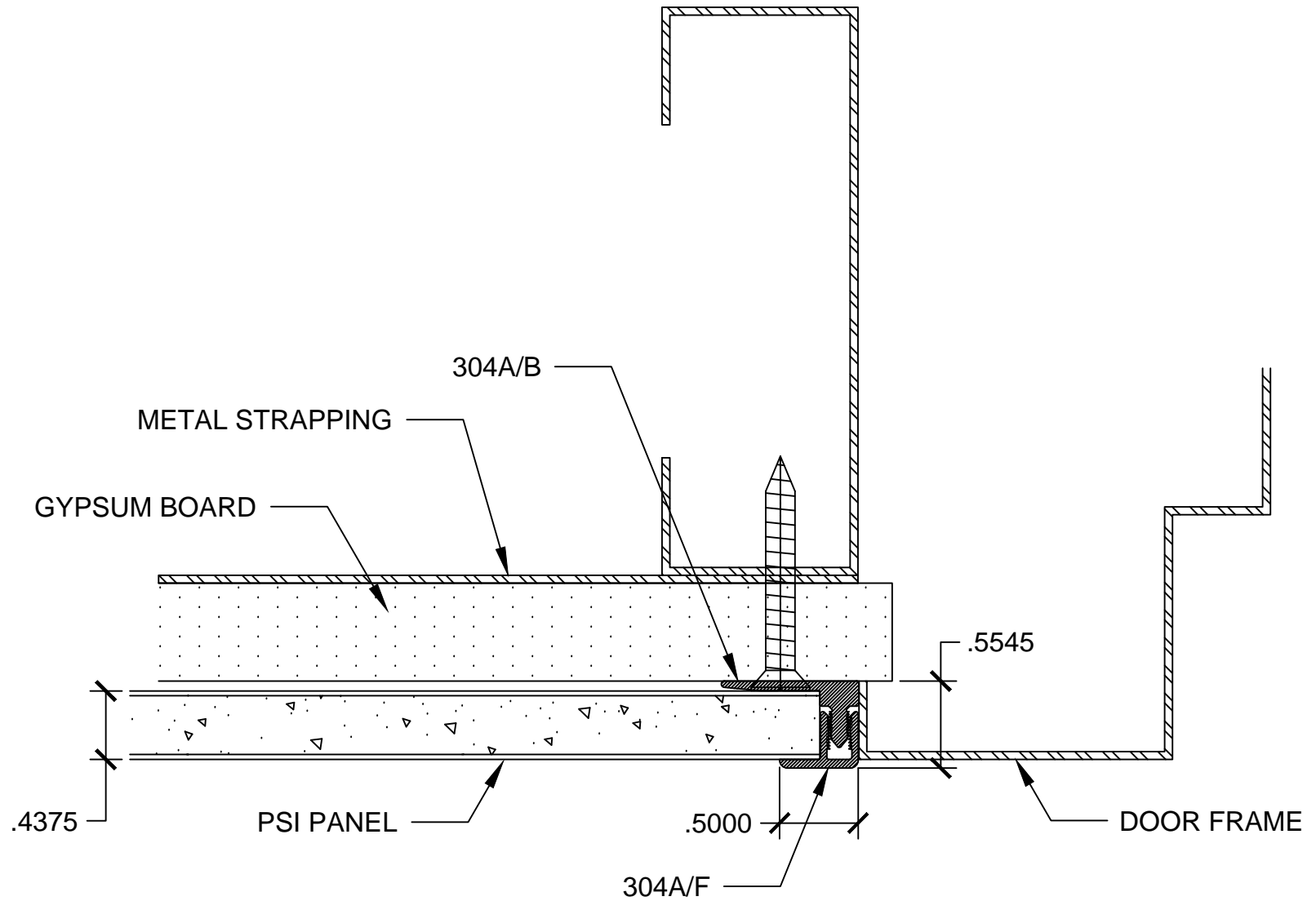
#304A VERTICAL EDGE TRIM

TOP VIEW



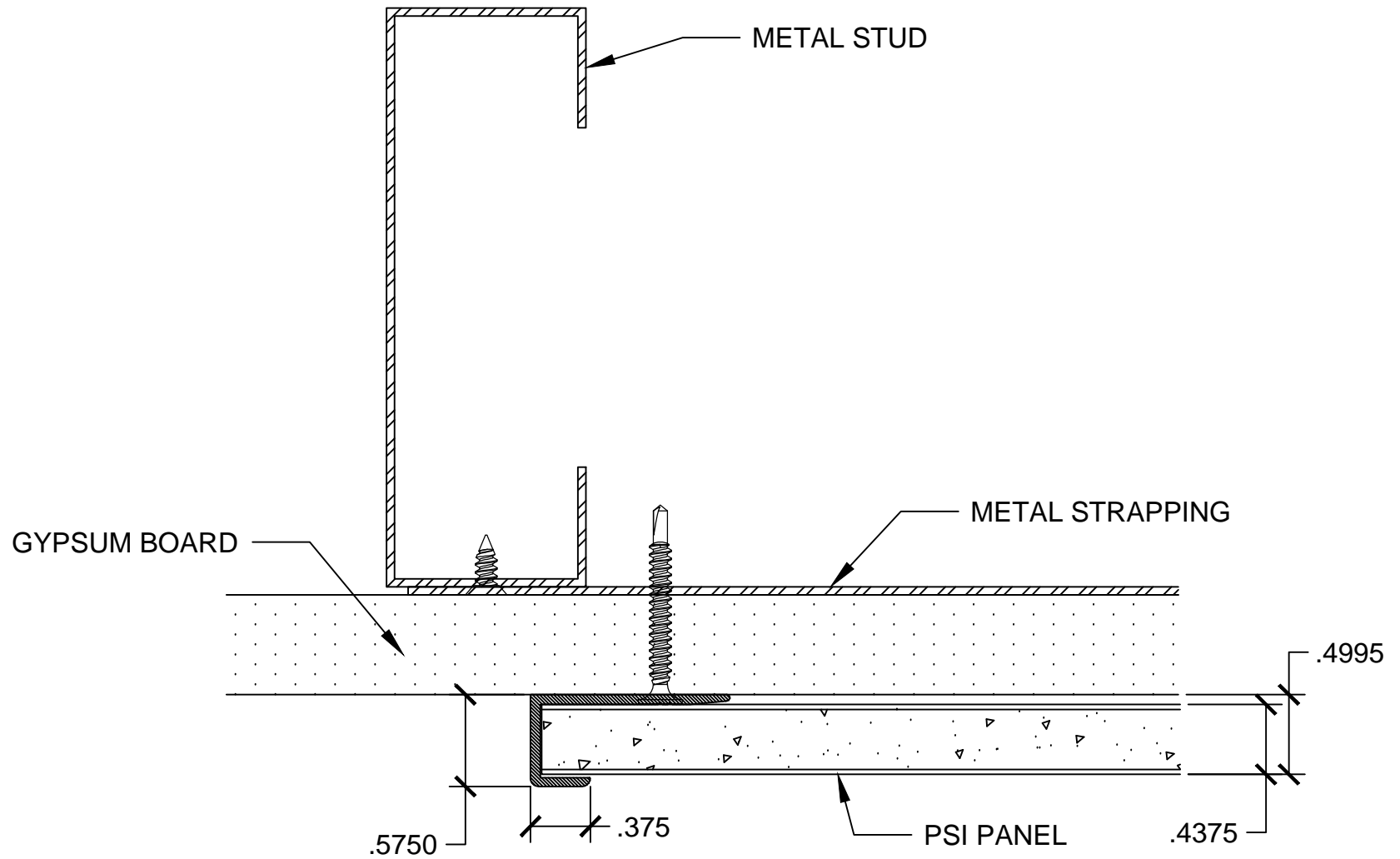
#304 EDGE TRIM @ DOOR OR WINDOW FRAME

TOP VIEW



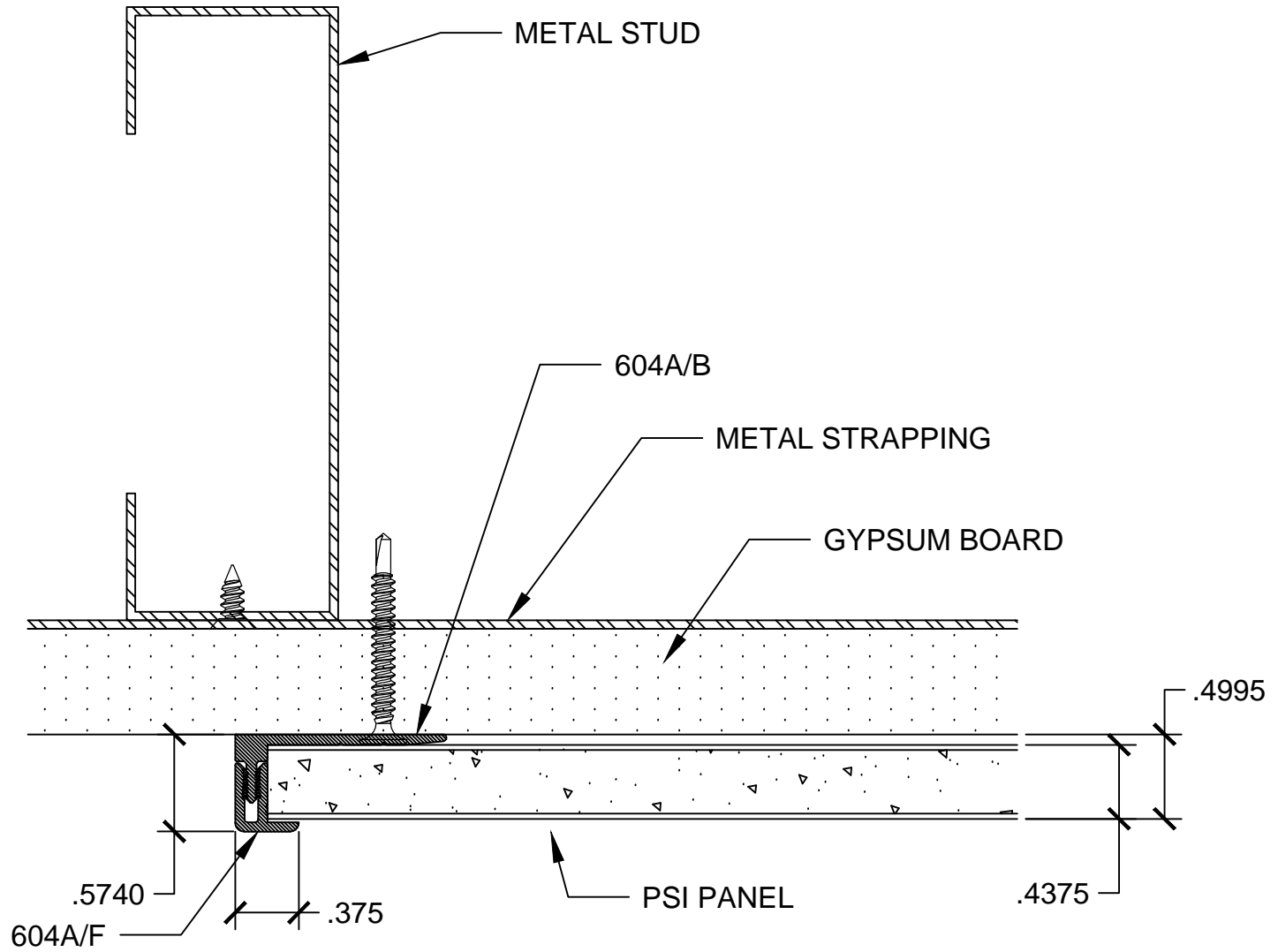
#304A EDGE TRIM @ DOOR OR WINDOW FRAME

TOP VIEW



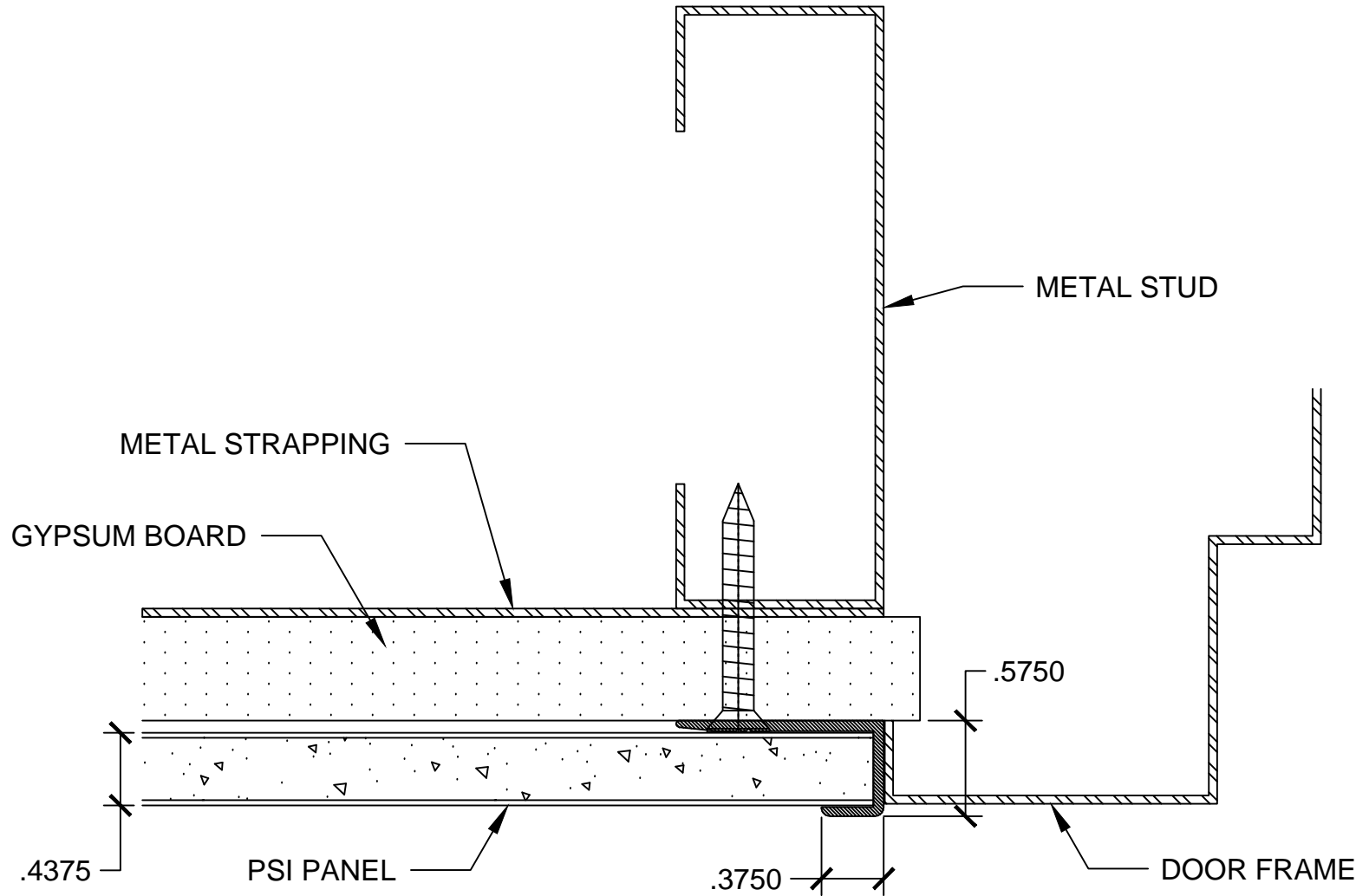
#604 VERTICAL EDGE TRIM

TOP VIEW



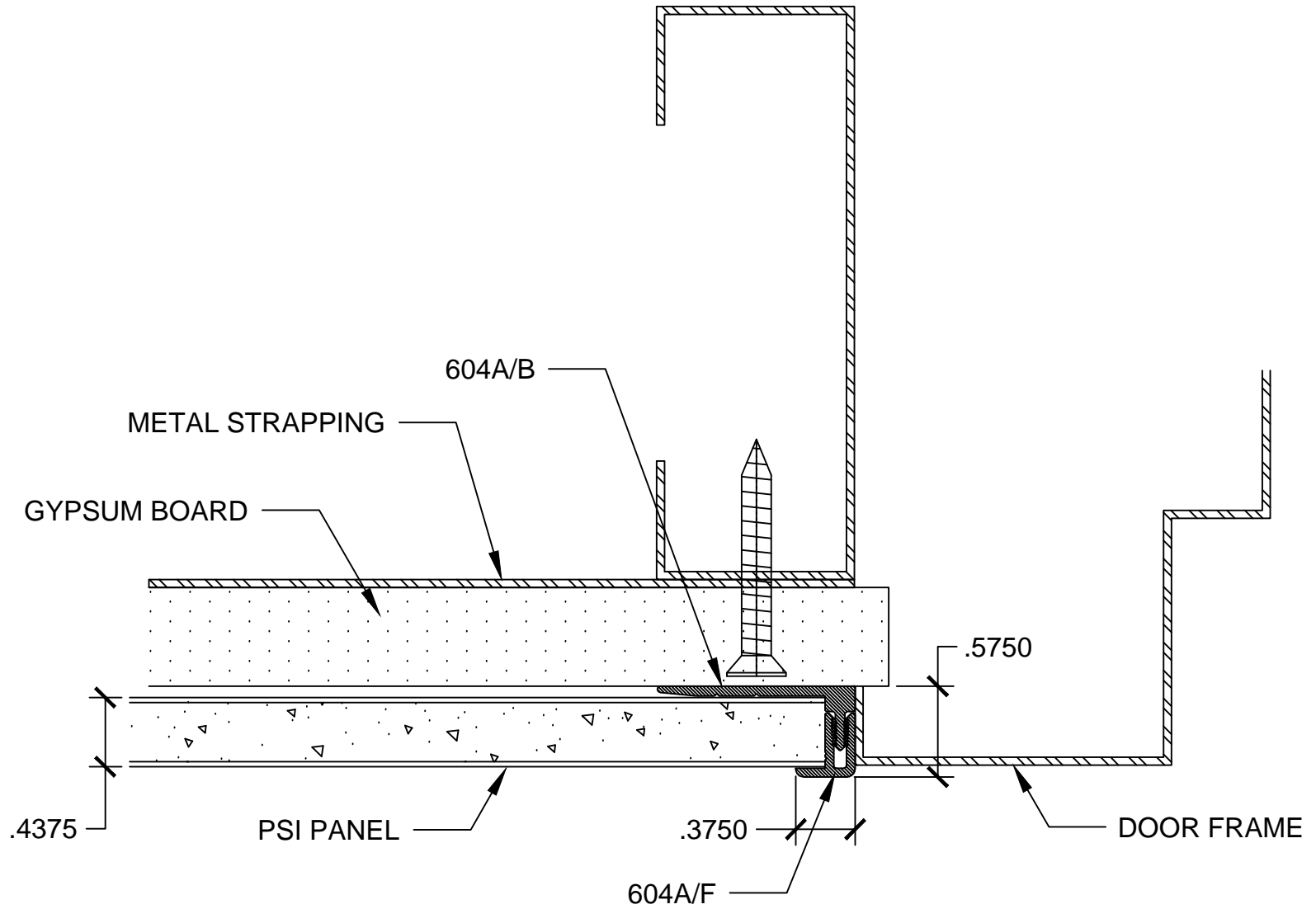
#604A VERTICAL EDGE TRIM

TOP VIEW



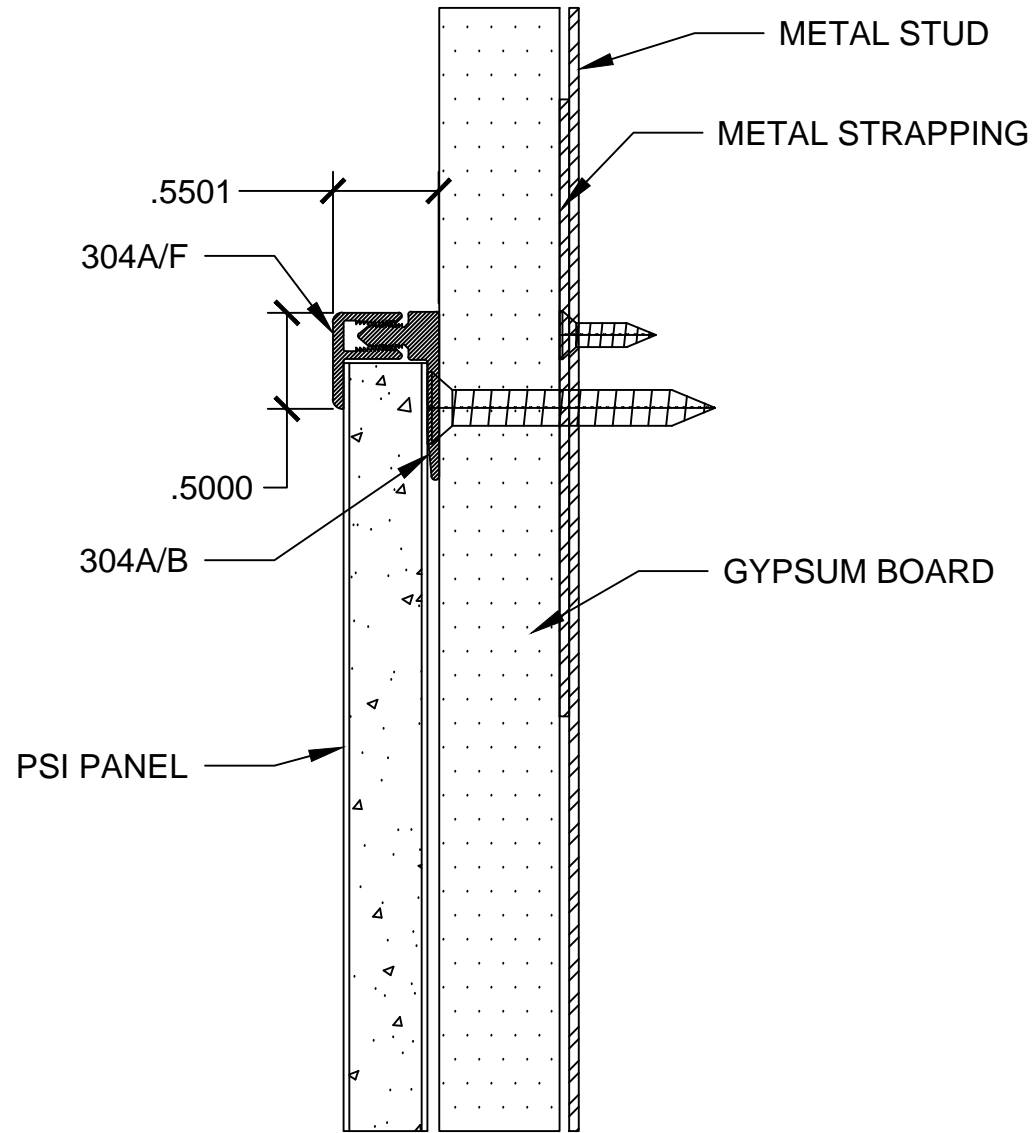
#604 EDGE TRIM @ DOOR OR WINDOW FRAME

TOP VIEW



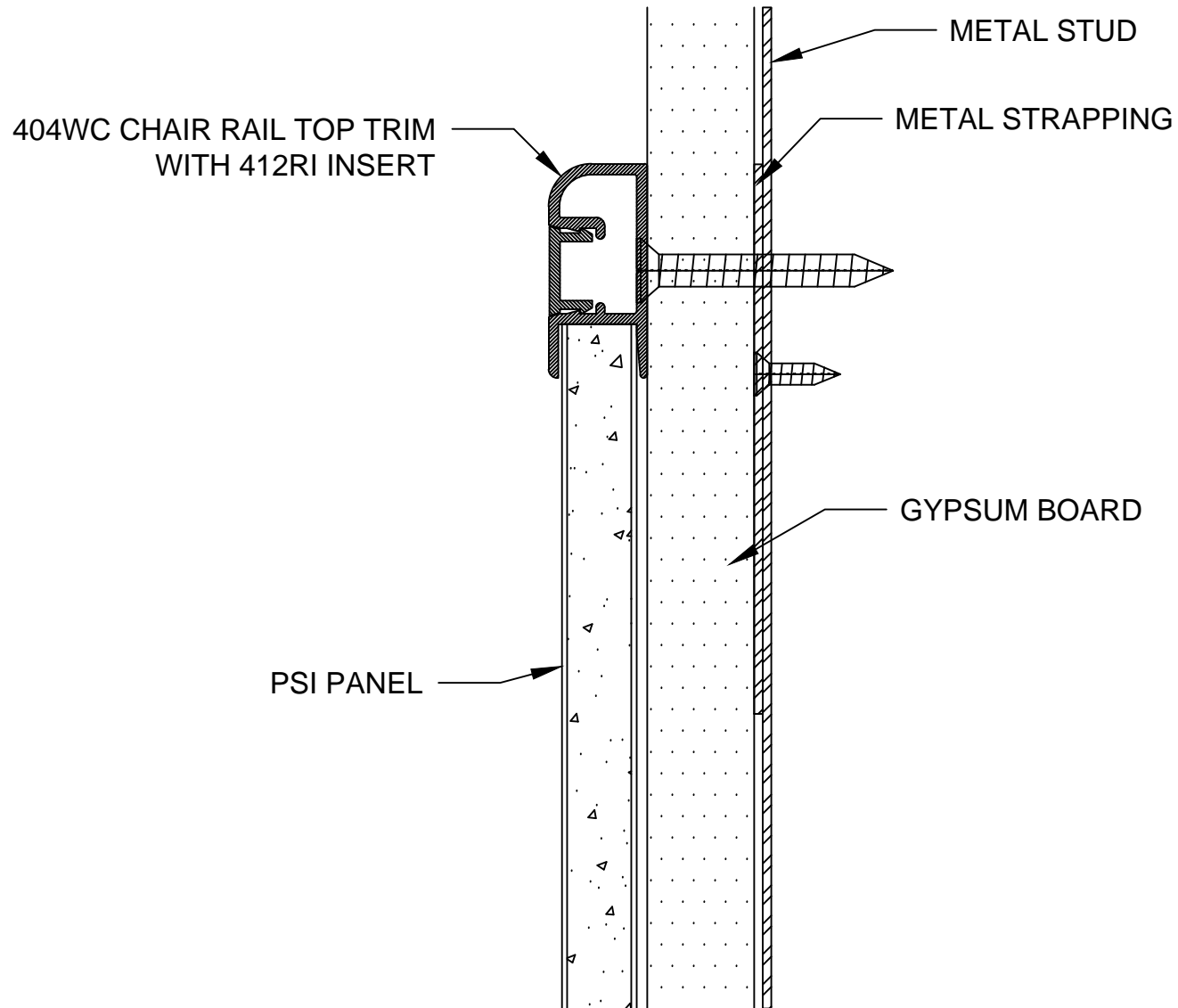
#604A EDGE TRIM @ DOOR OR WINDOW FRAME

TOP VIEW



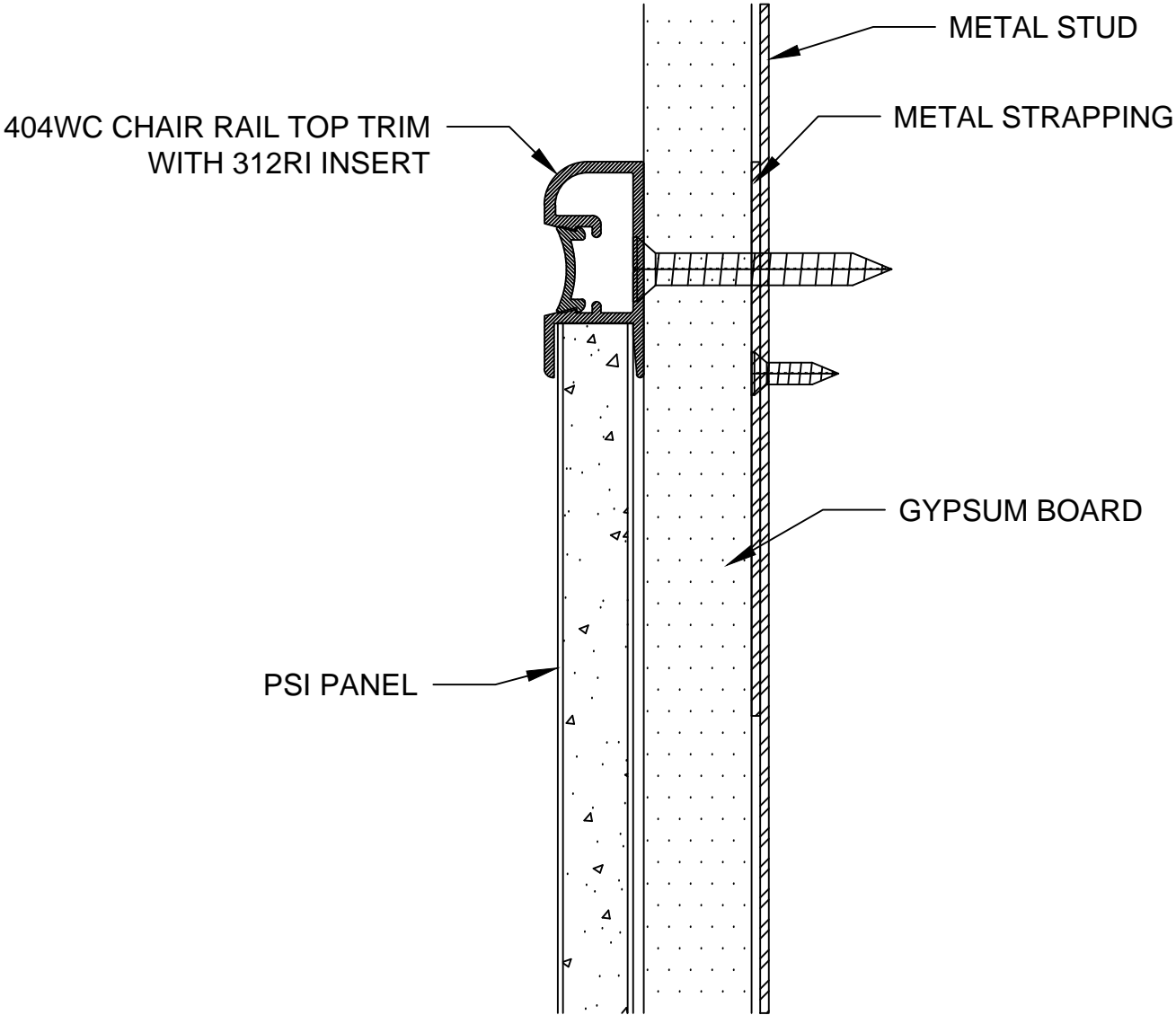
#304A TOP TRIM

RIGHT SIDE VIEW



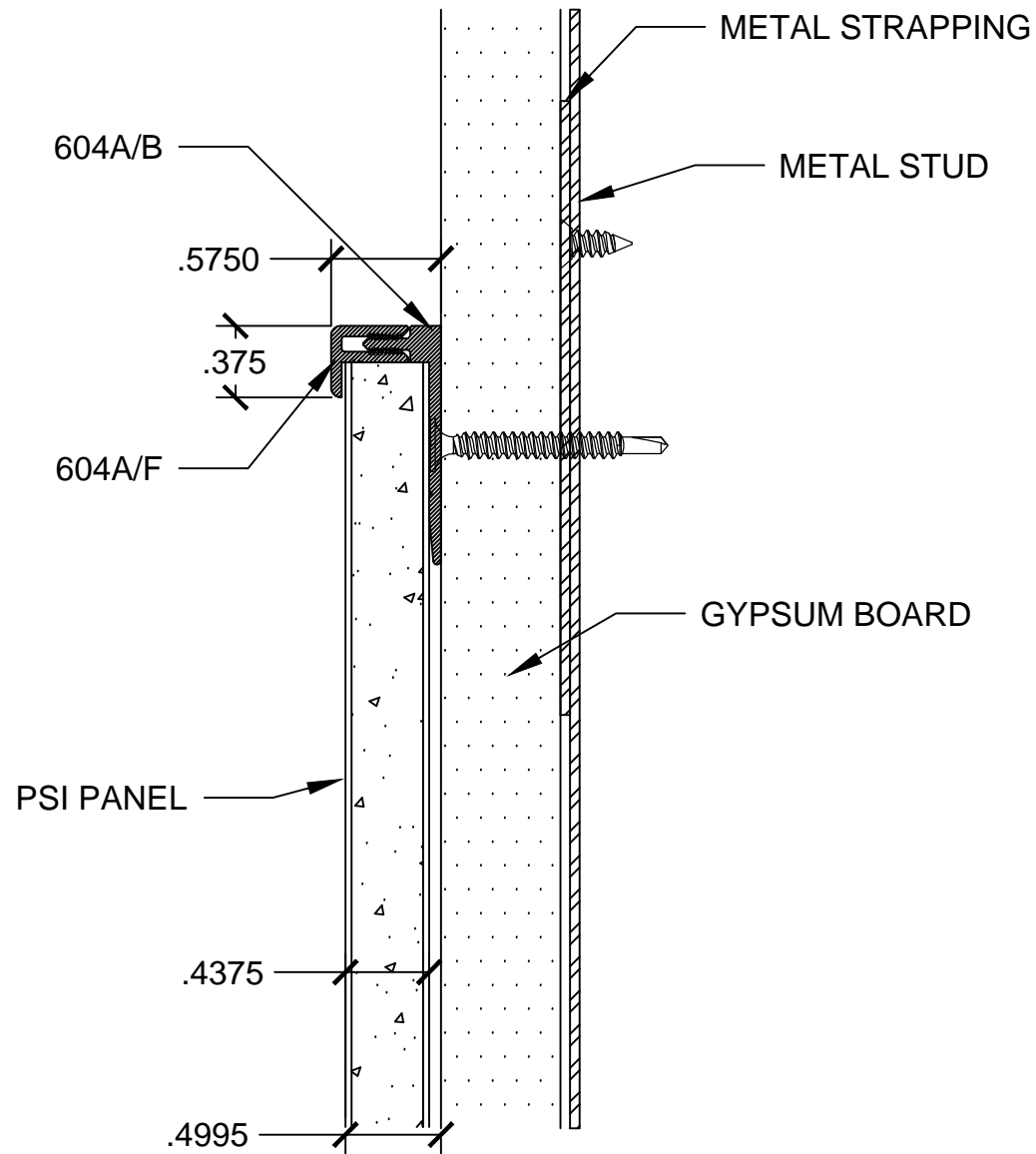
404WC WAINSCOT CHAIR RAIL TOP TRIM

RIGHT SIDE VIEW



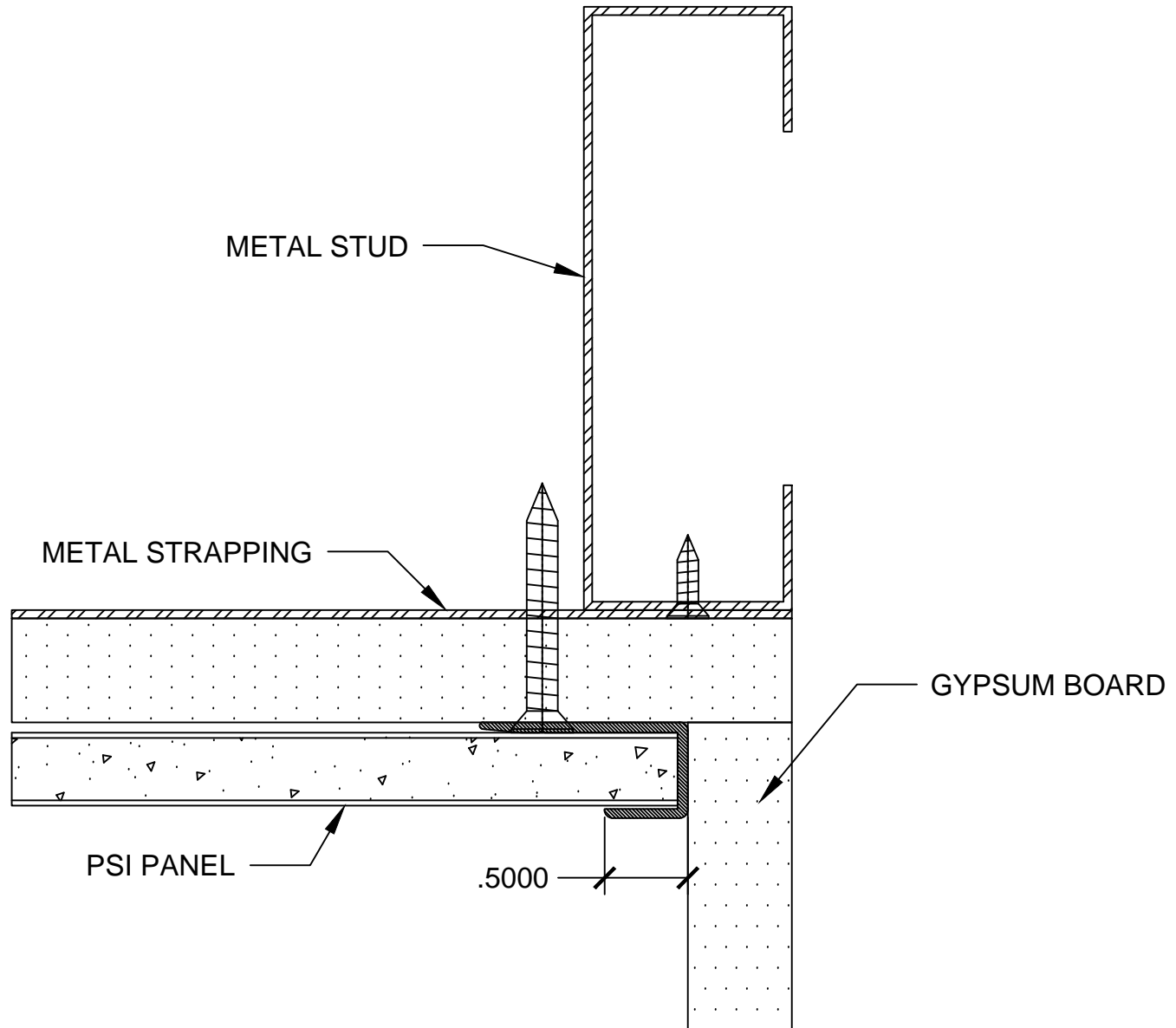
404WC WAINSCOT CHAIR RAIL TOP TRIM

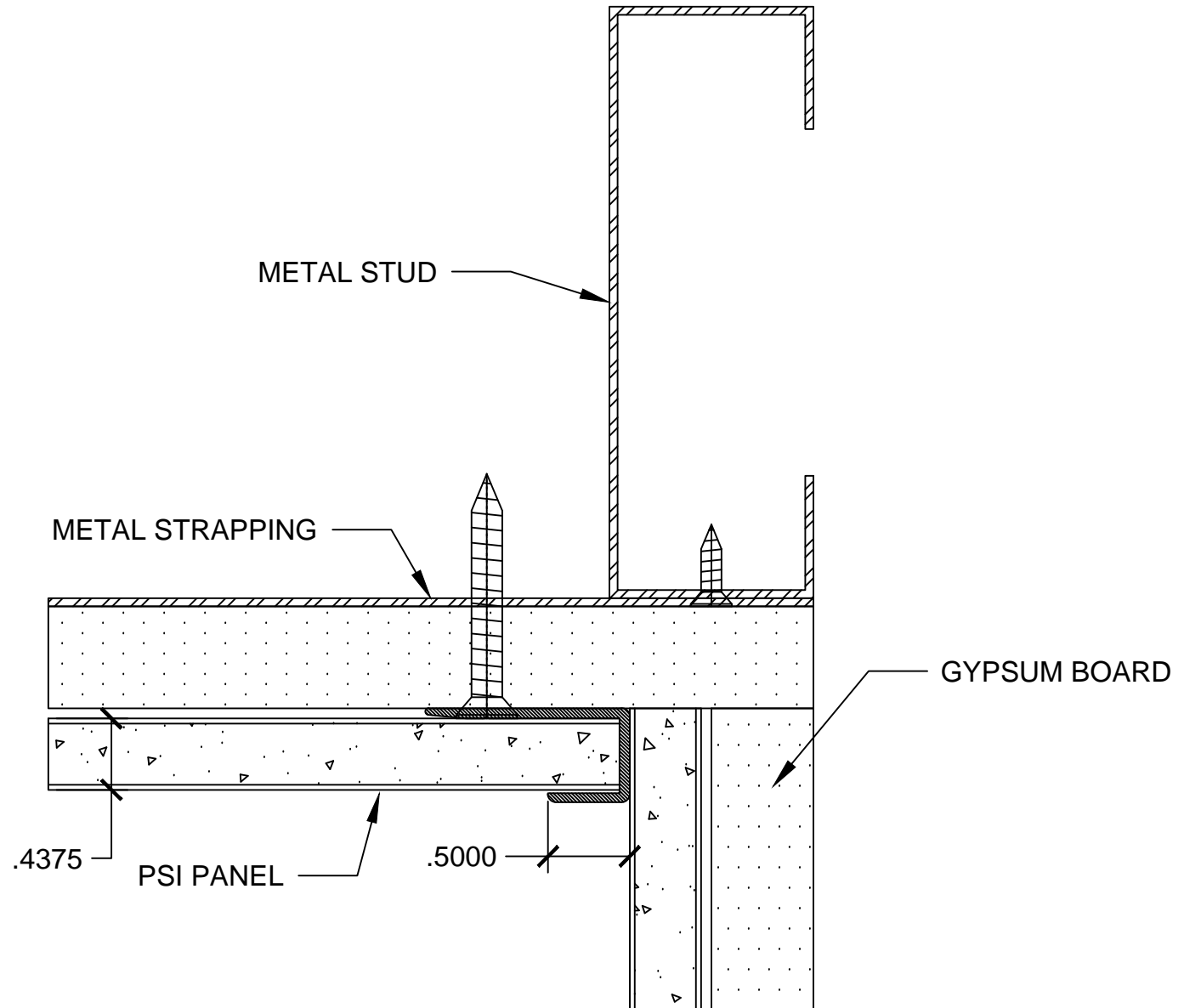
RIGHT SIDE VIEW



#604A TOP TRIM

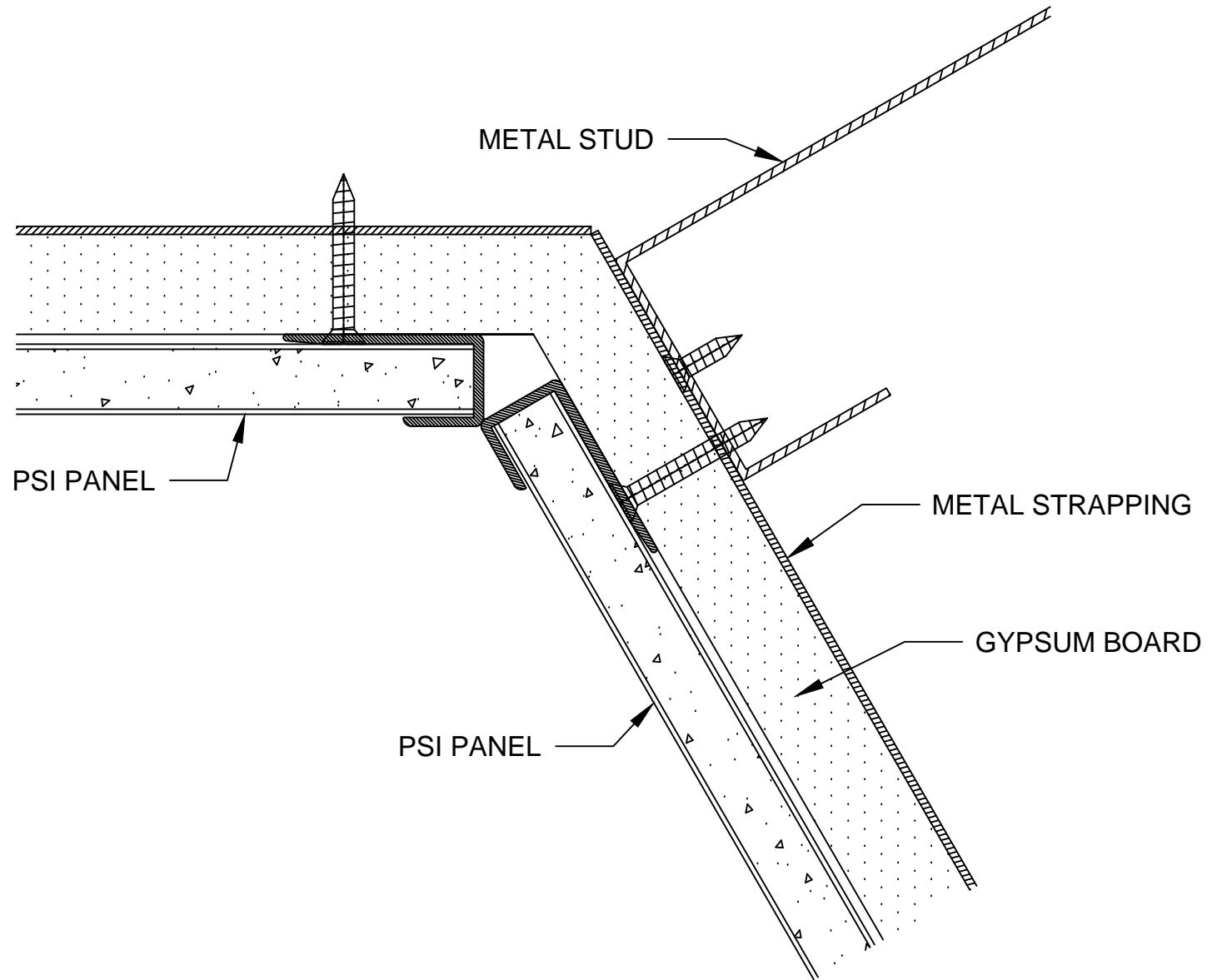
RIGHT SIDE VIEW





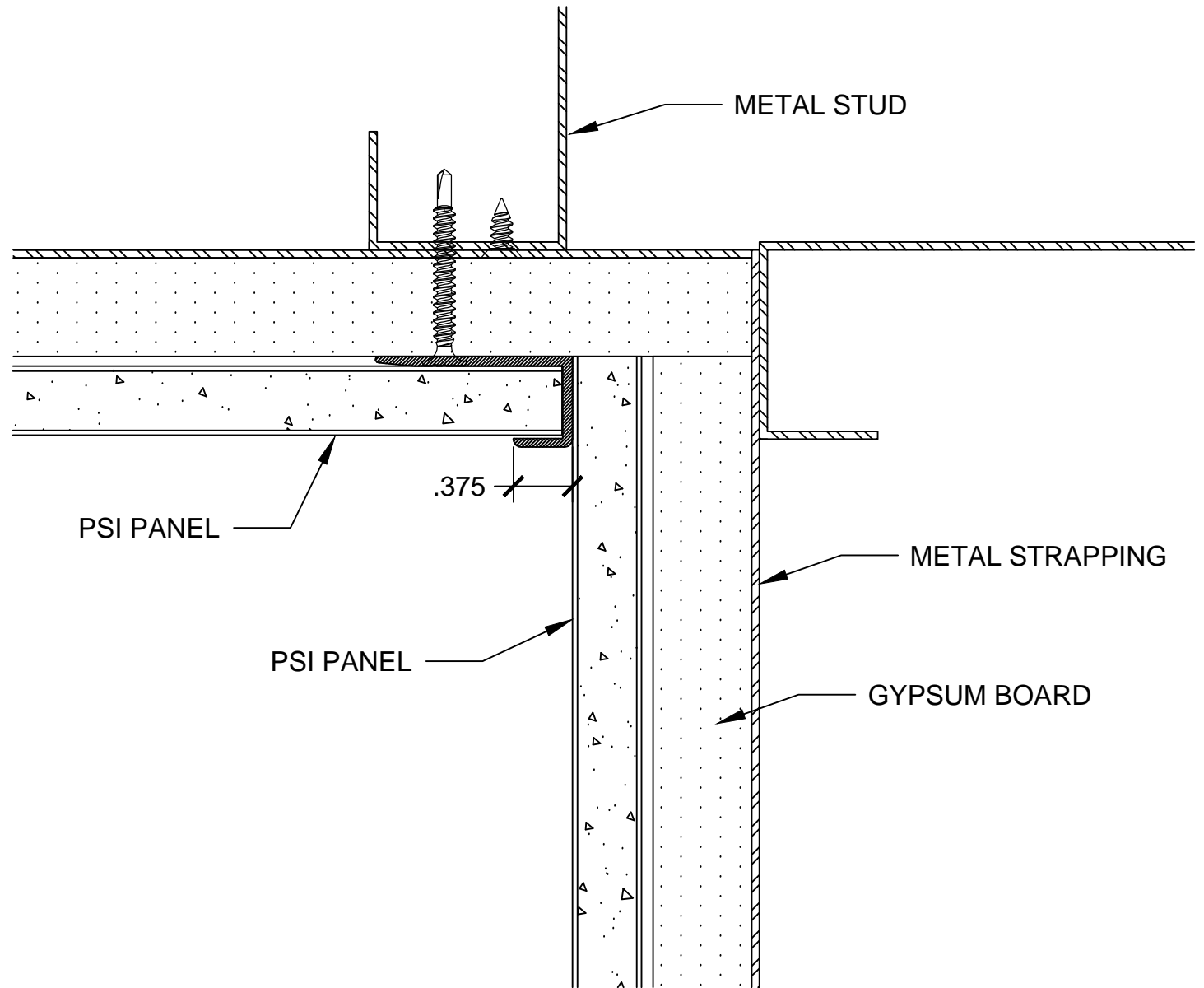
#304 INSIDE CORNER

TOP VIEW



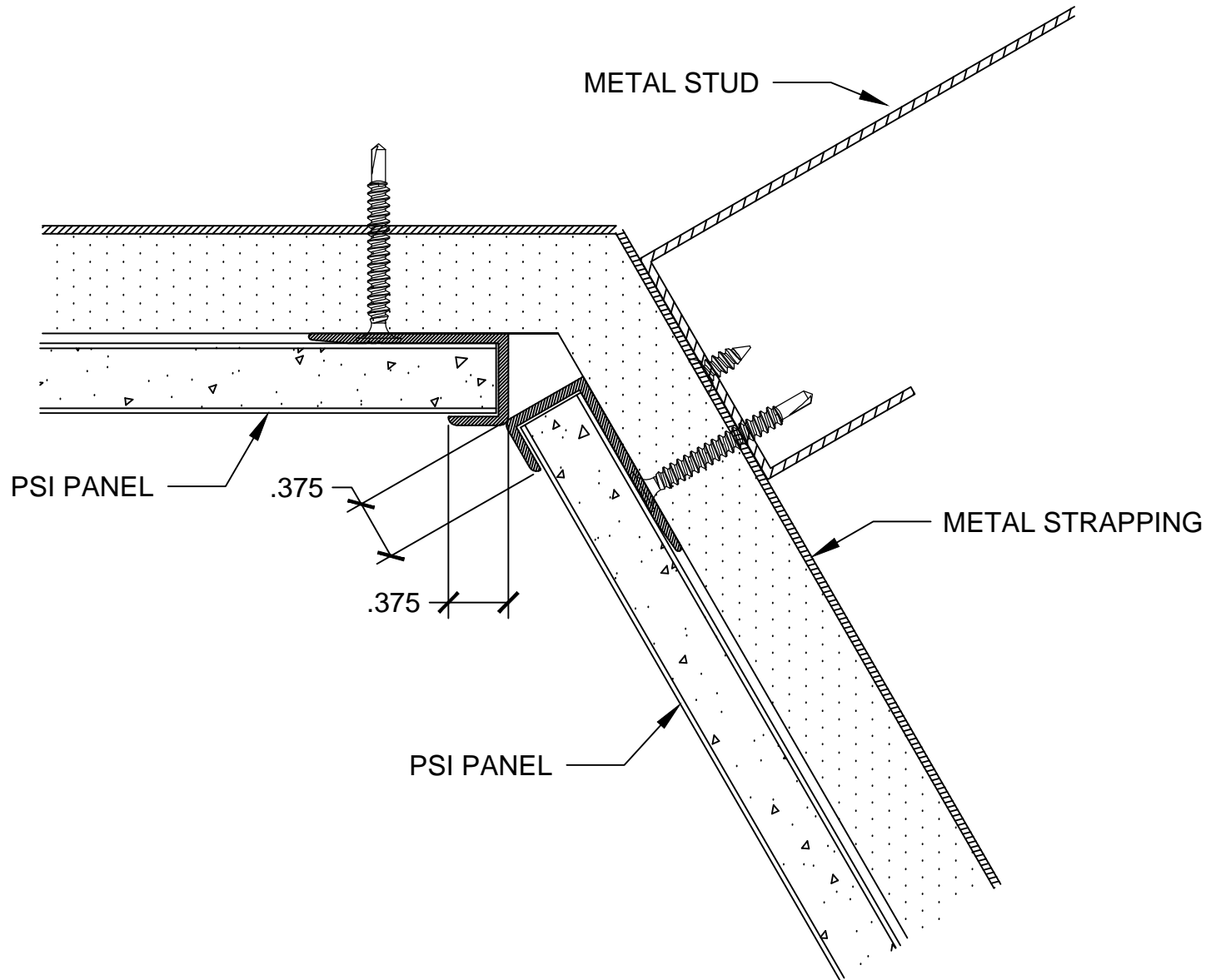
#304 ANGLED INSIDE CORNER

TOP VIEW



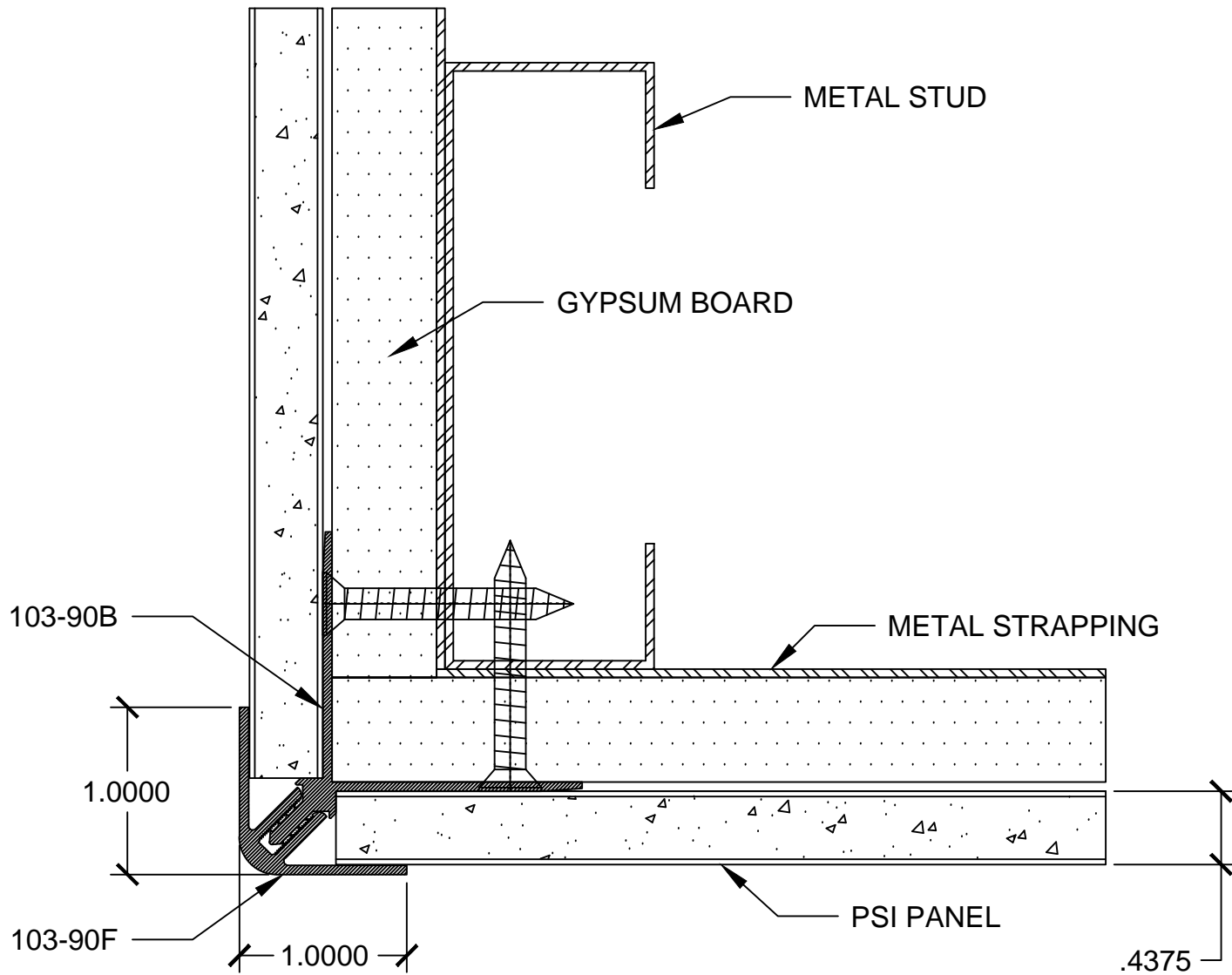
#604 INSIDE CORNER

TOP VIEW



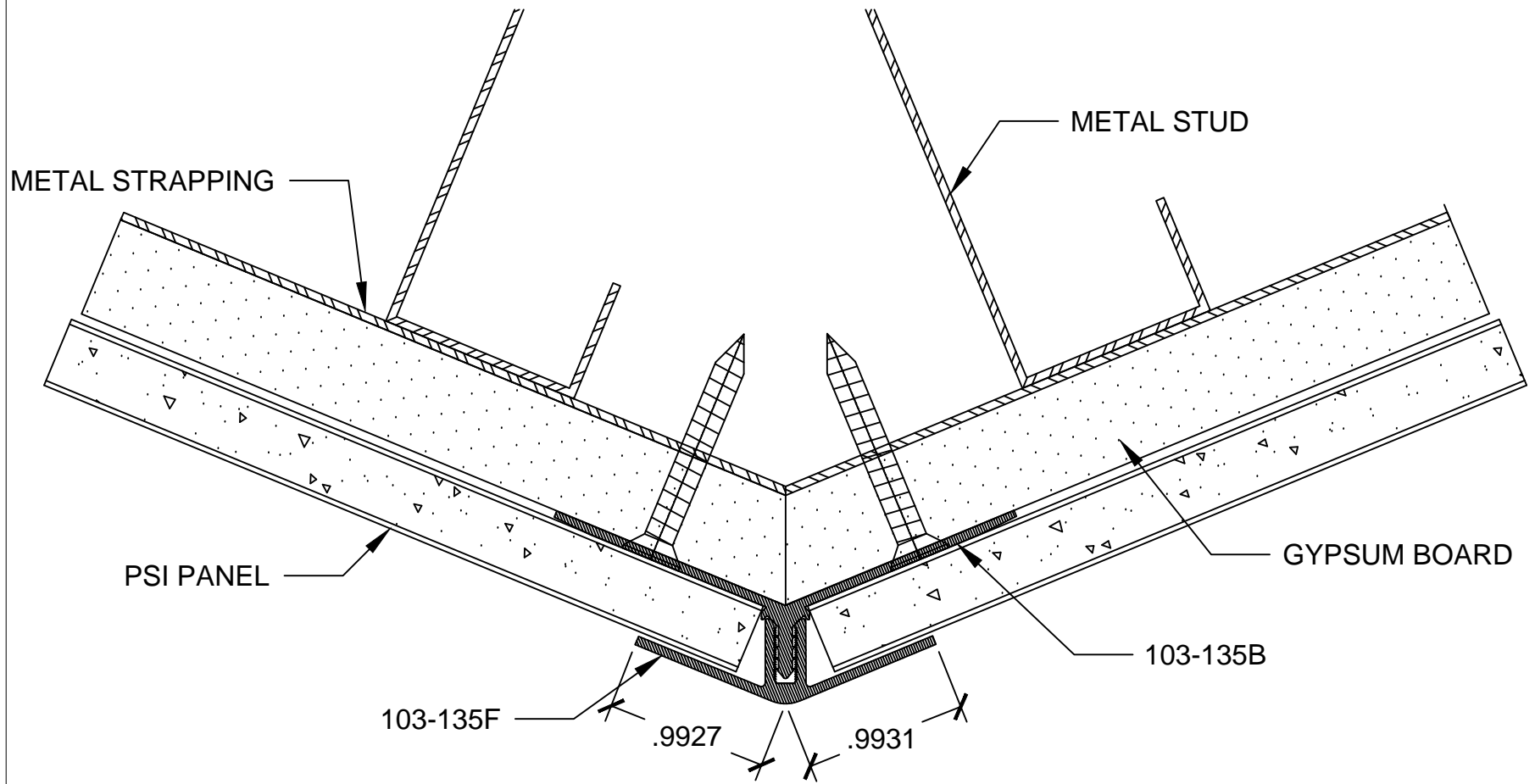
#604 ANGLED INSIDE CORNER

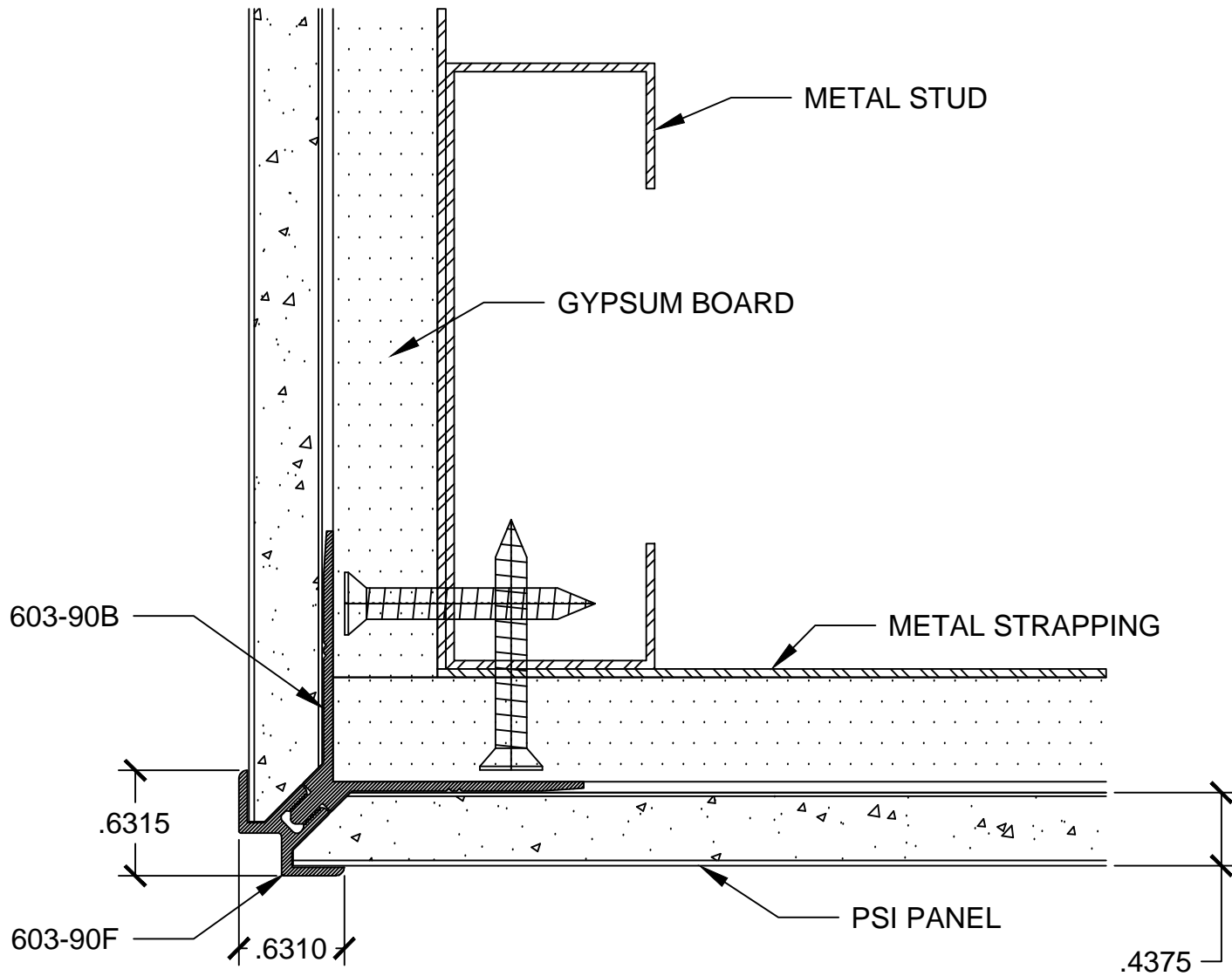
TOP VIEW



#103-90 OUTSIDE CORNER

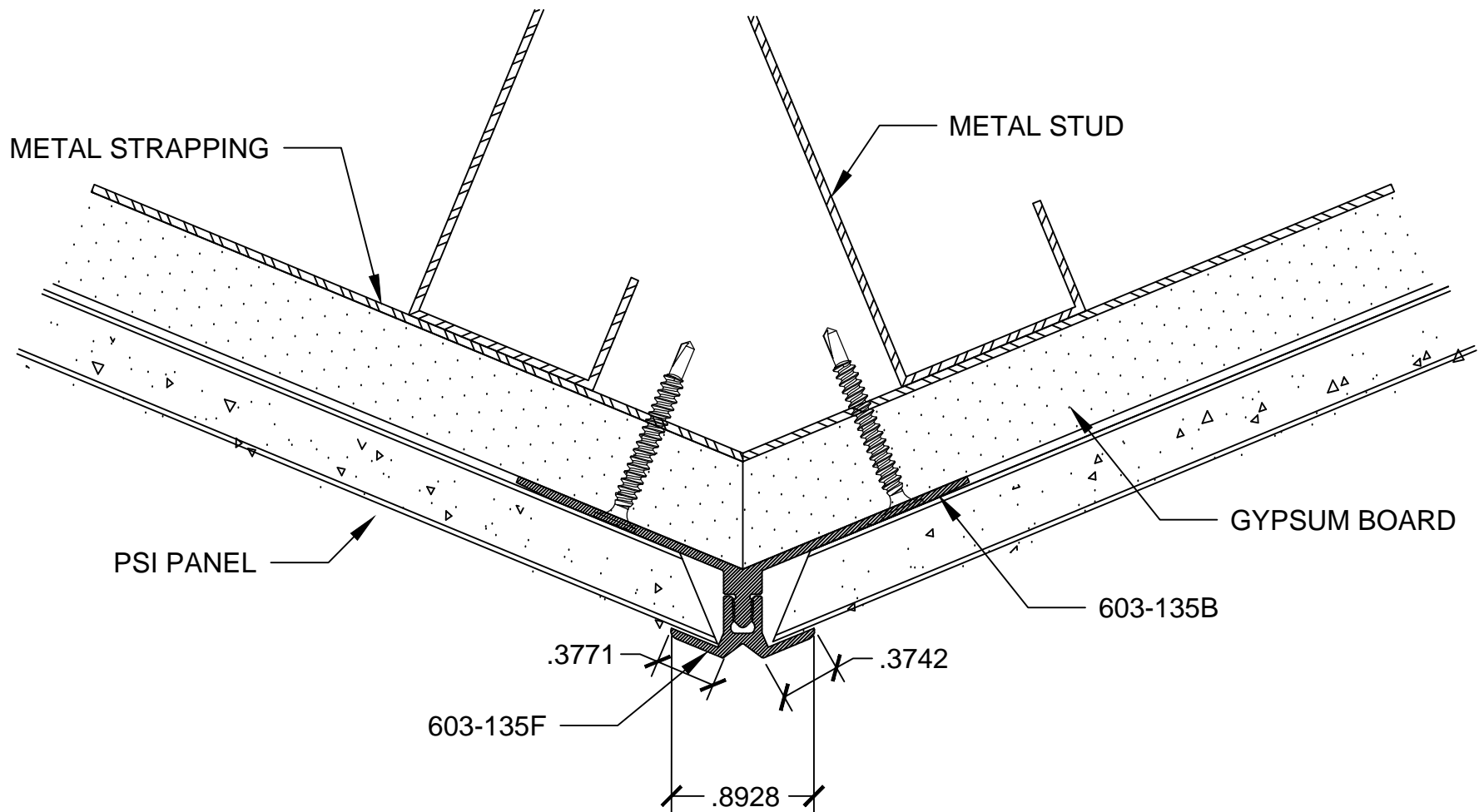
TOP VIEW





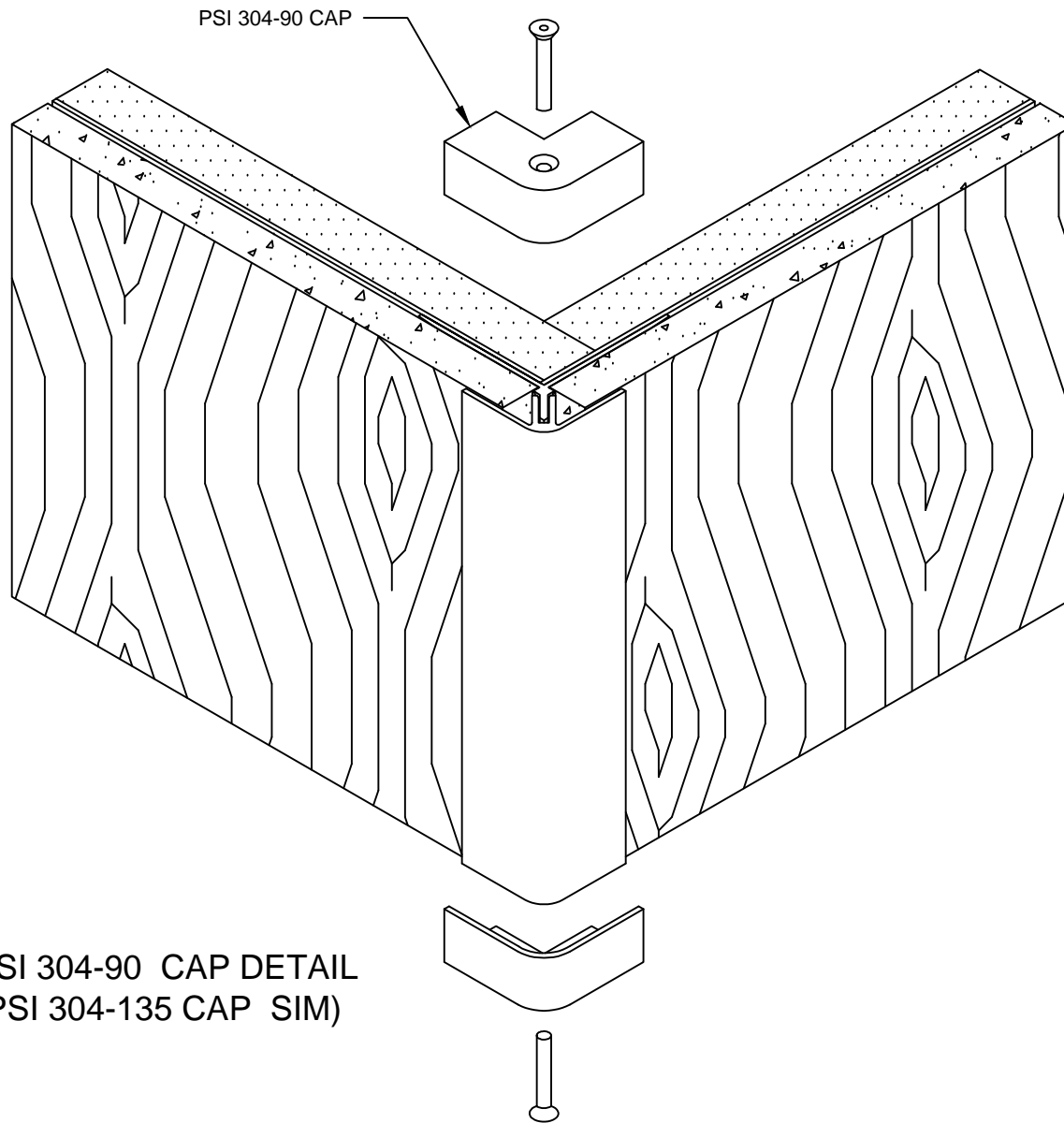
#603-90 OUTSIDE CORNER

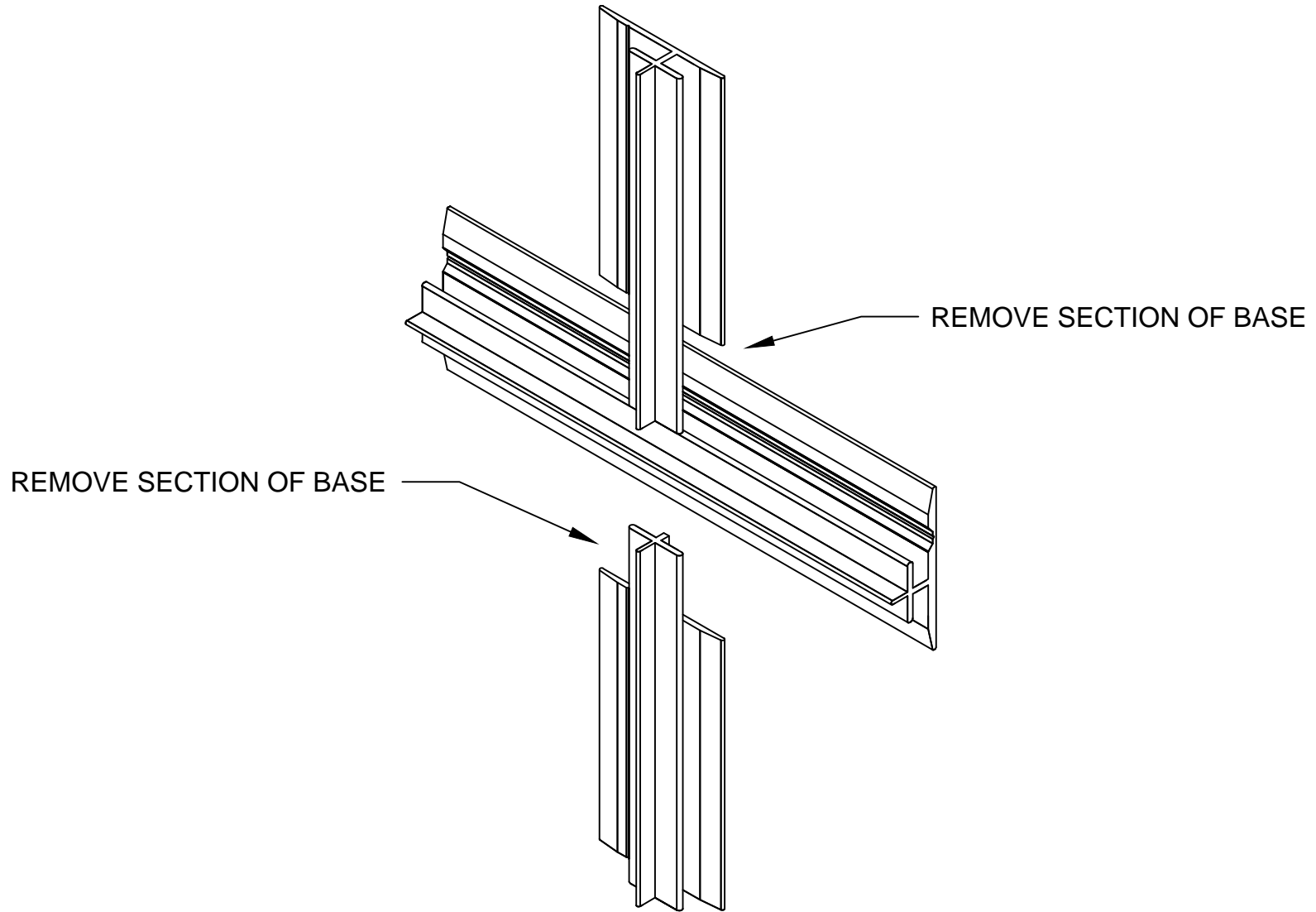
TOP VIEW



#603-135 OUTSIDE CORNER

TOP VIEW

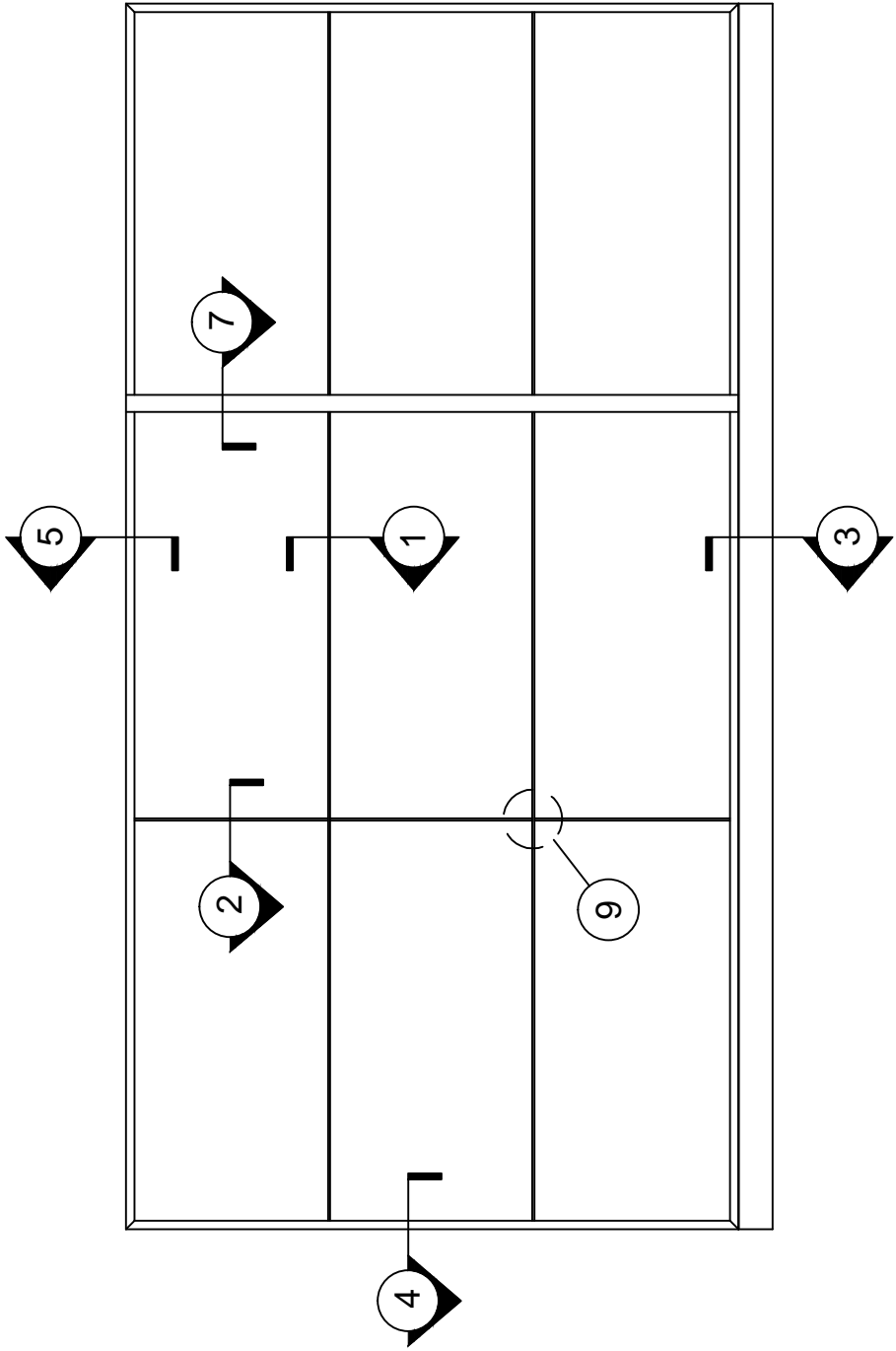




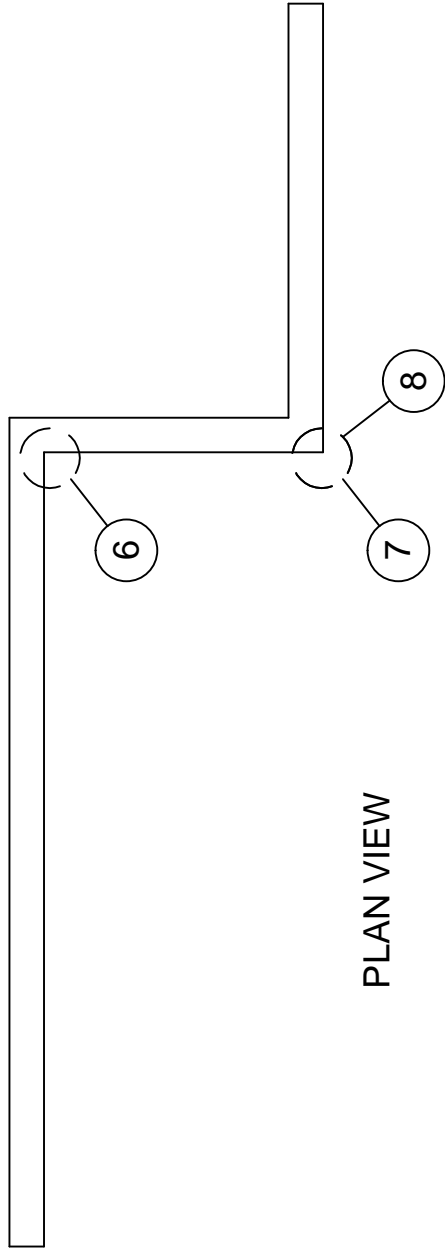
#302A REVEAL INTERSECTION DETAIL

ISOMETRIC VIEW

PANEL SPECIALISTS INC.
WALL PANEL SYSTEM 310



ELEVATION VIEW



PLAN VIEW