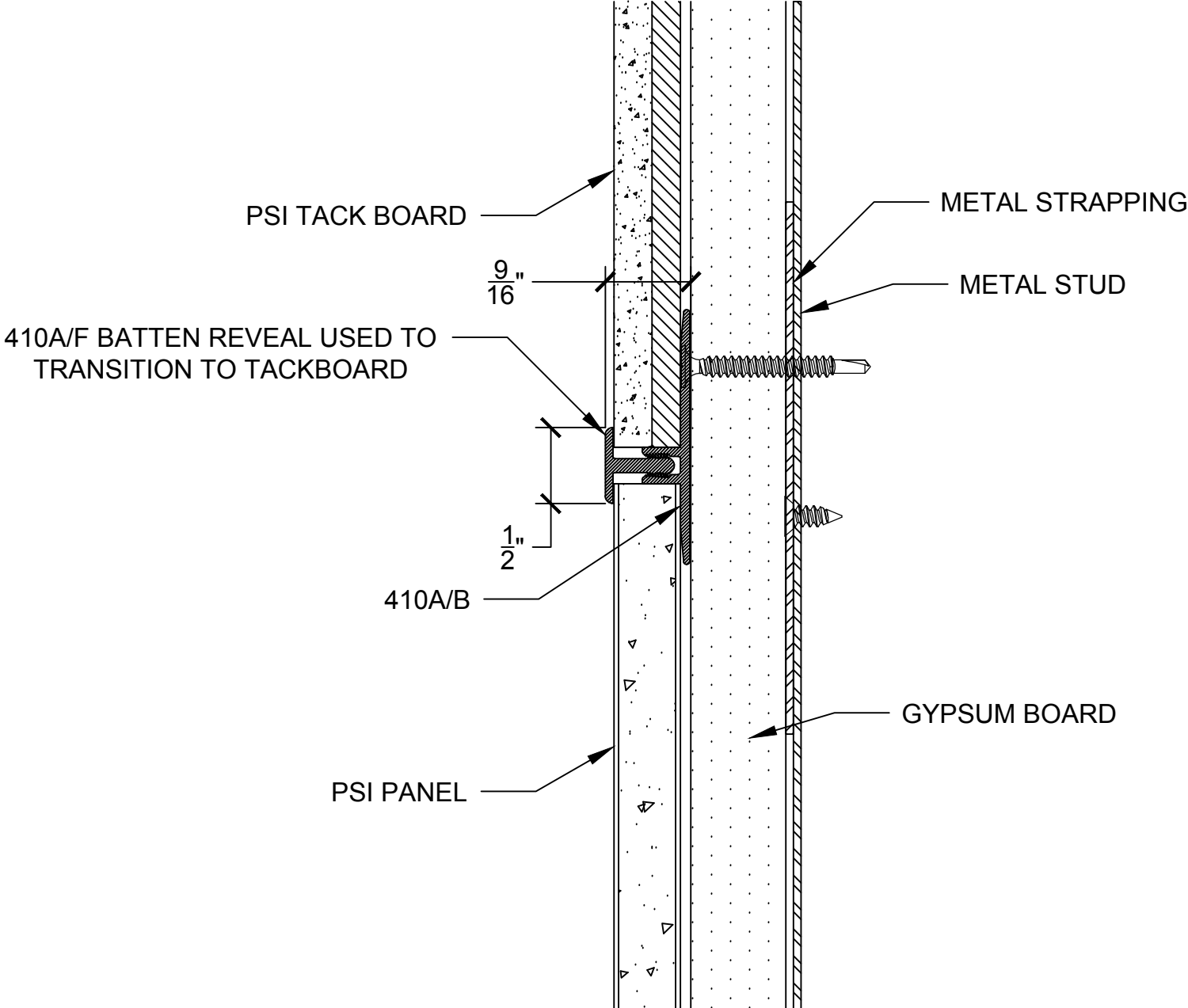


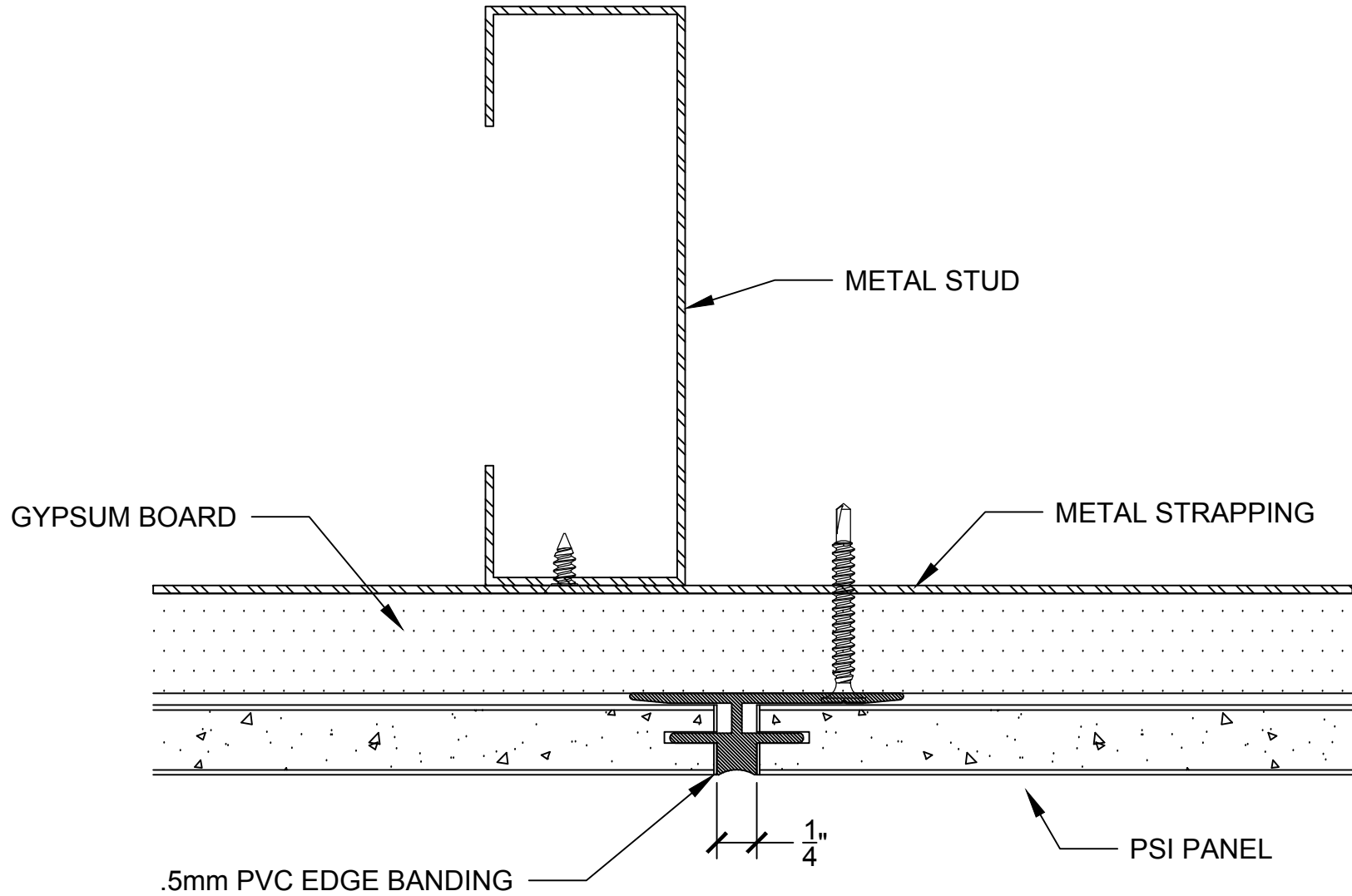
#314 HORIZONTAL REVEAL / DIVIDER

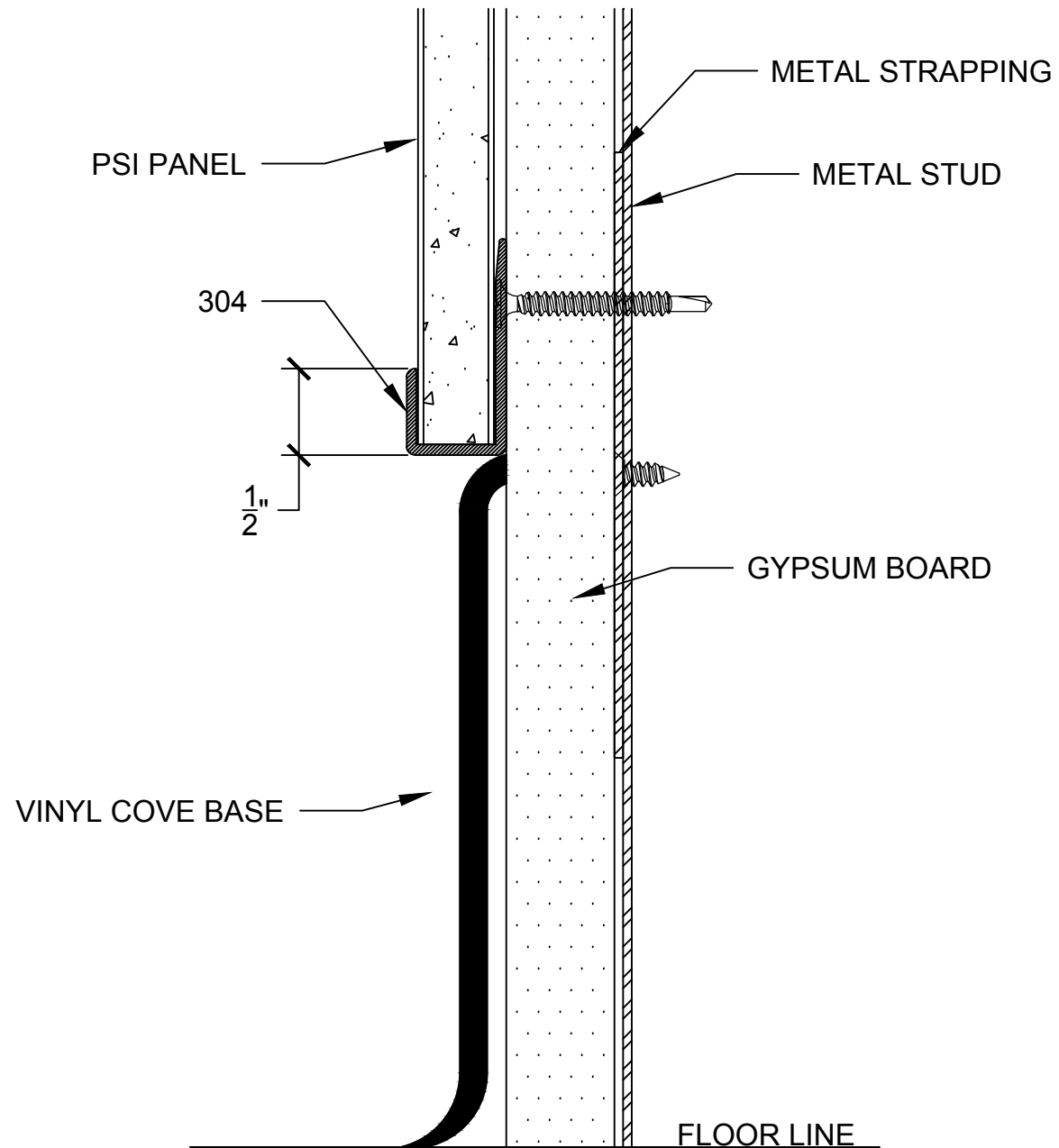
RIGHT SIDE VIEW

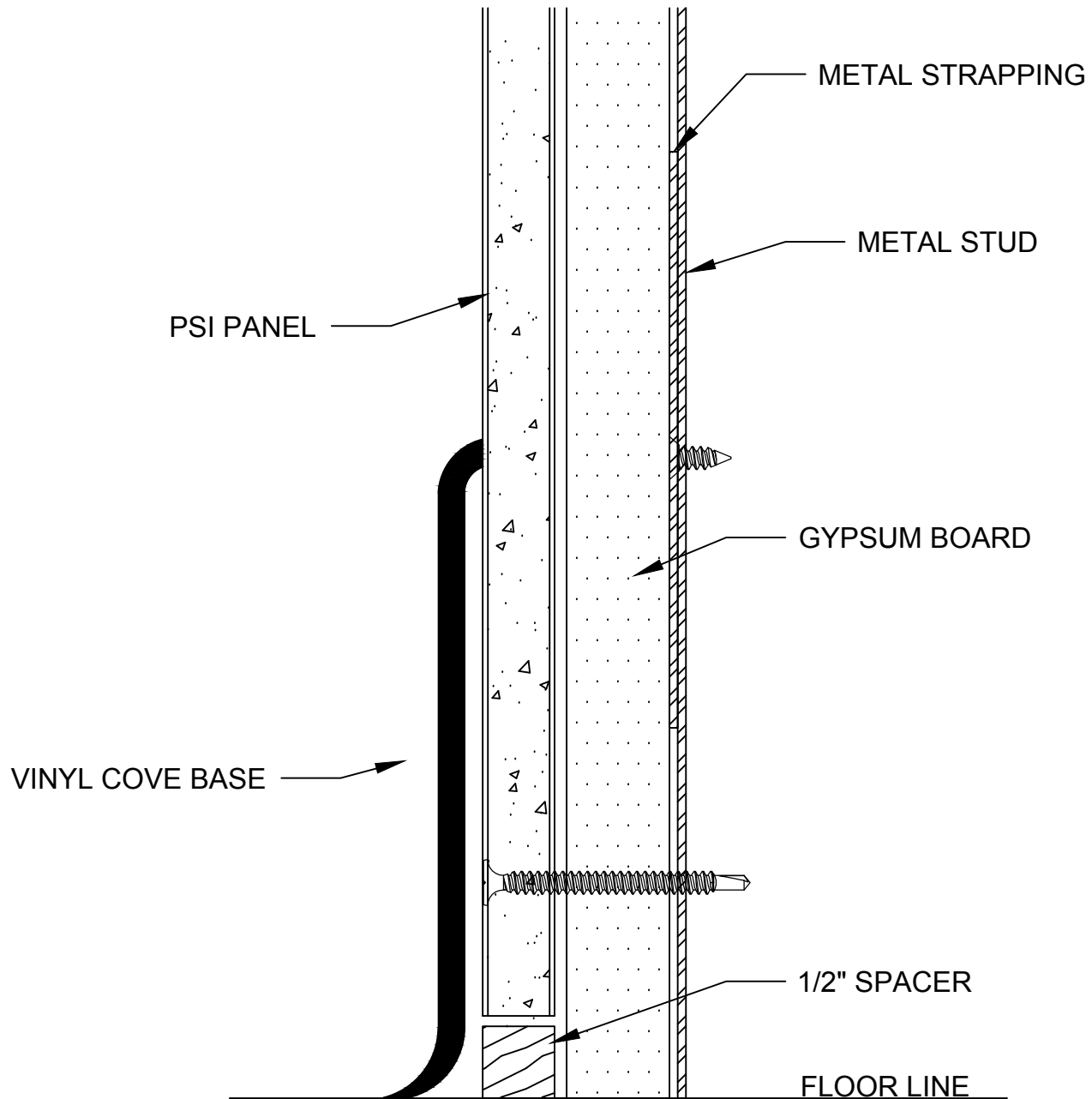


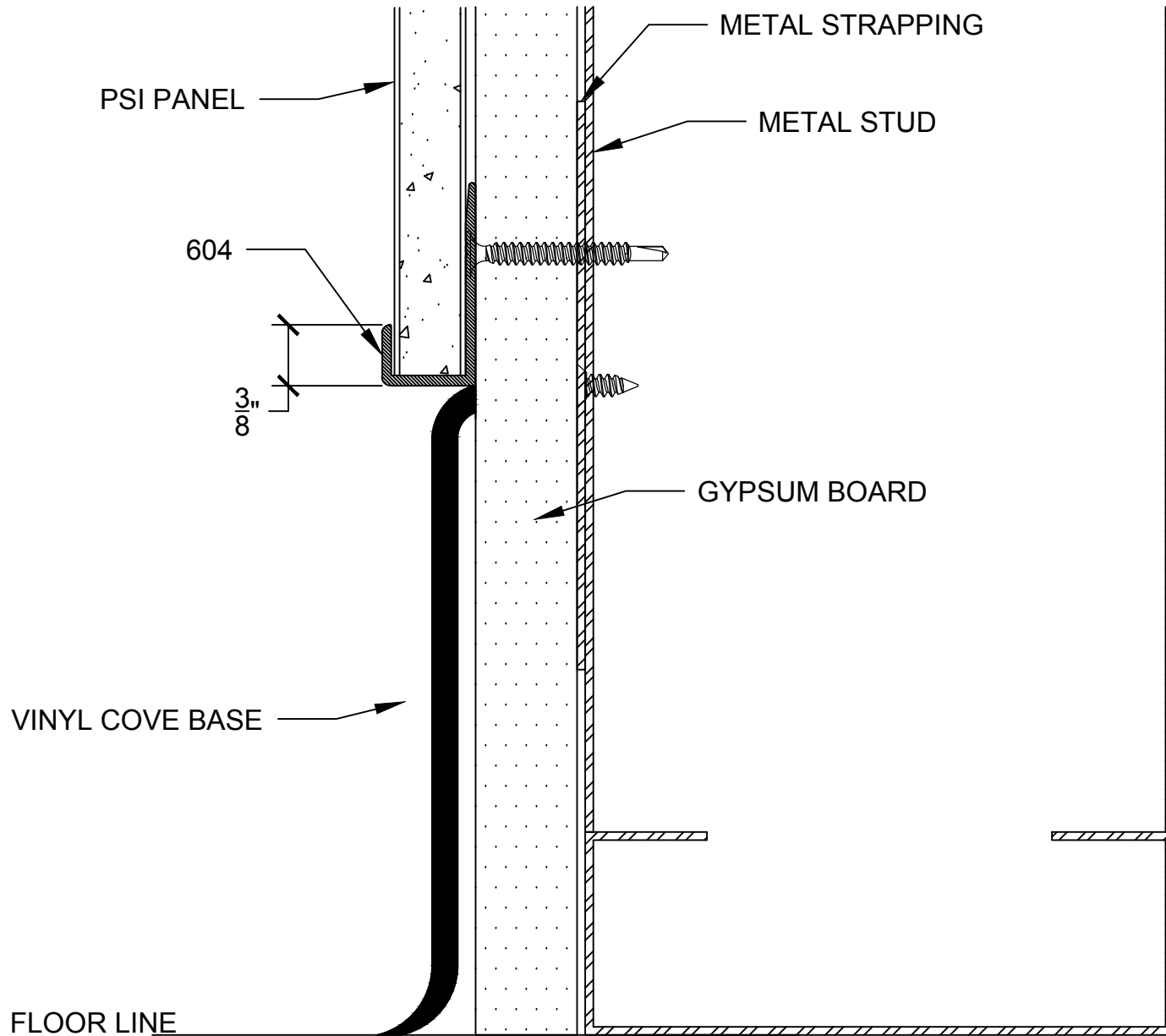
#410A HORIZONTAL BATTEN / DIVIDER

RIGHT SIDE VIEW



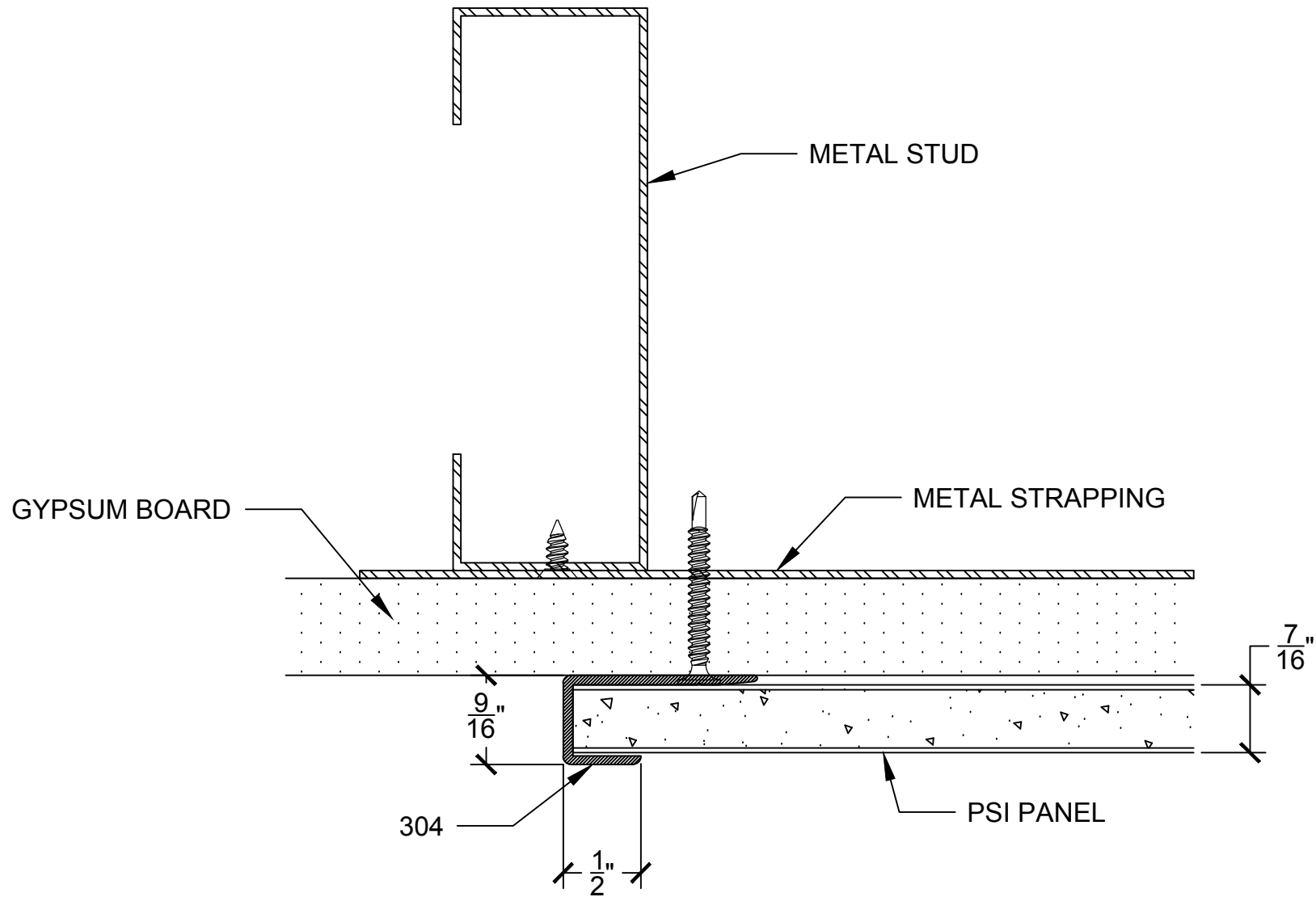


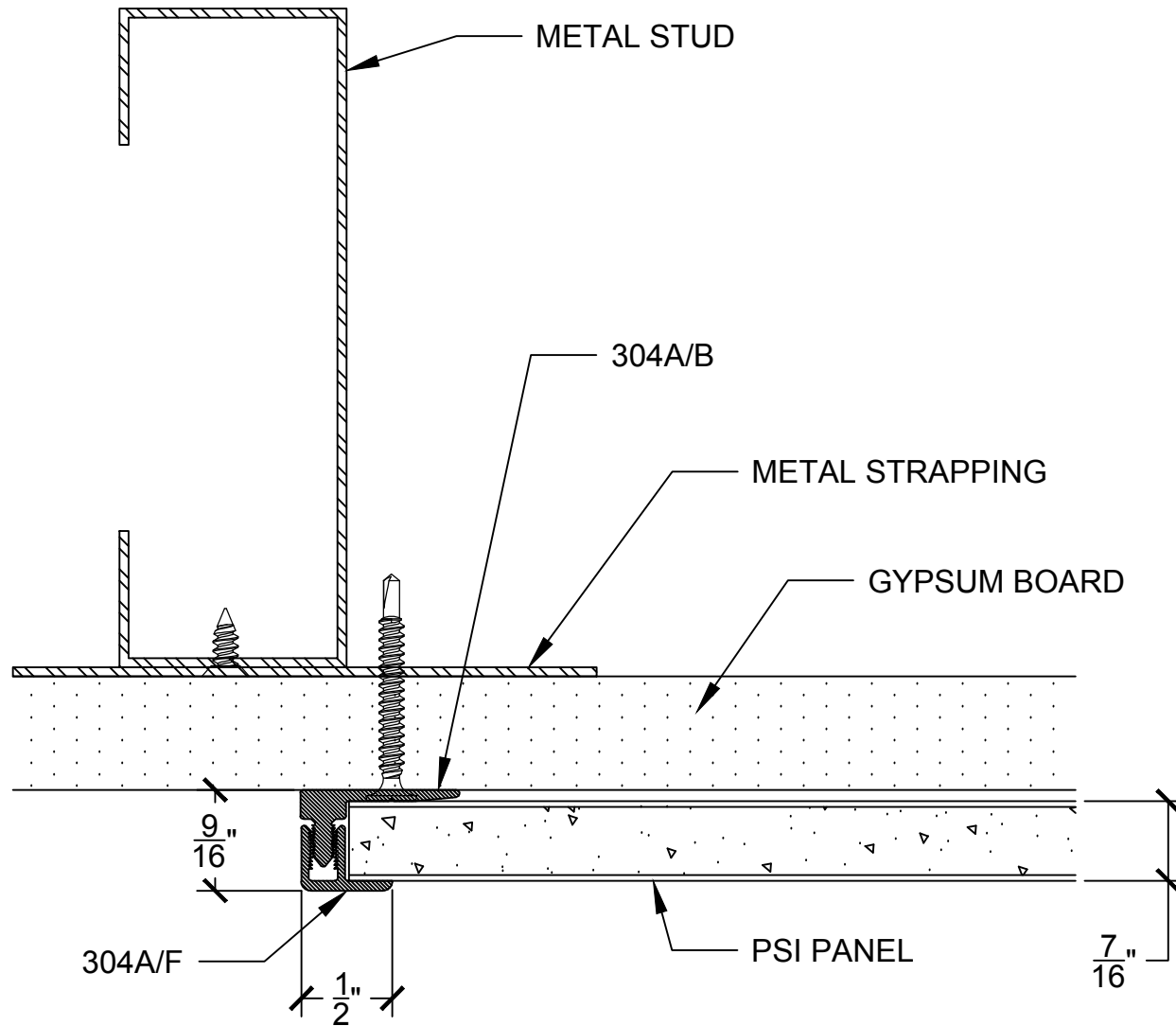




#604 HORIZONTAL TRIM - ABOVE BASE

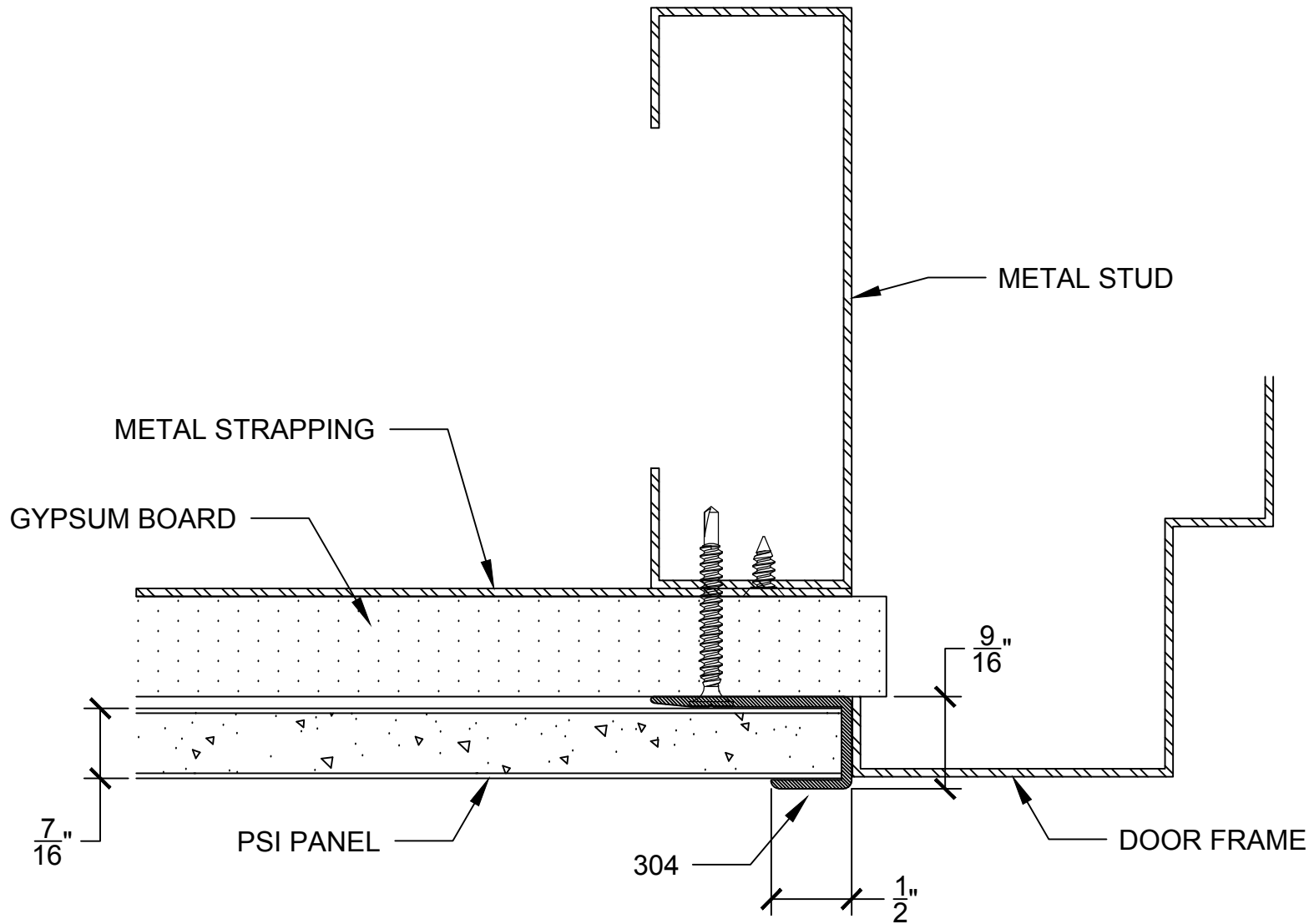
RIGHT SIDE VIEW





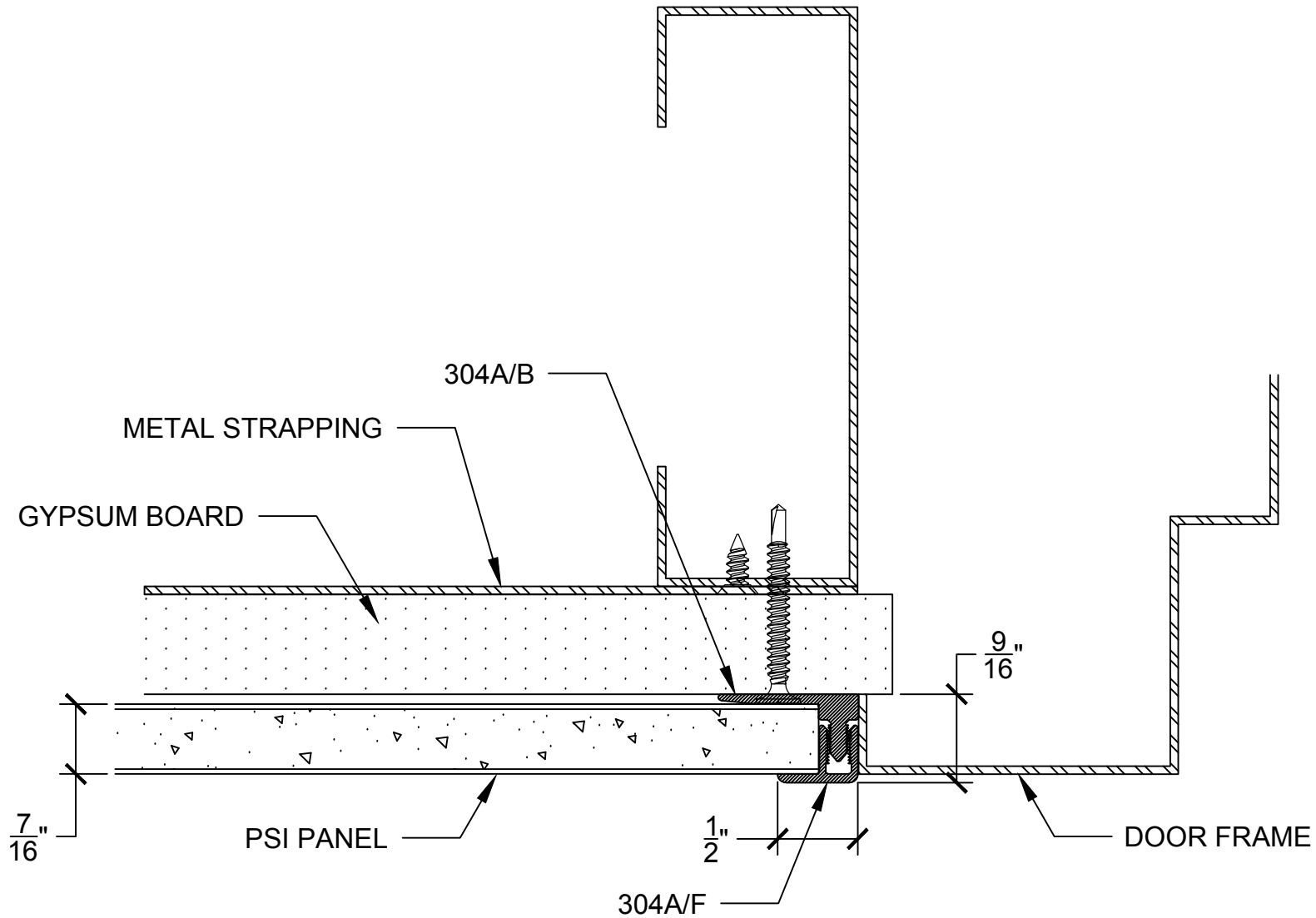
#304A VERTICAL EDGE TRIM

TOP VIEW



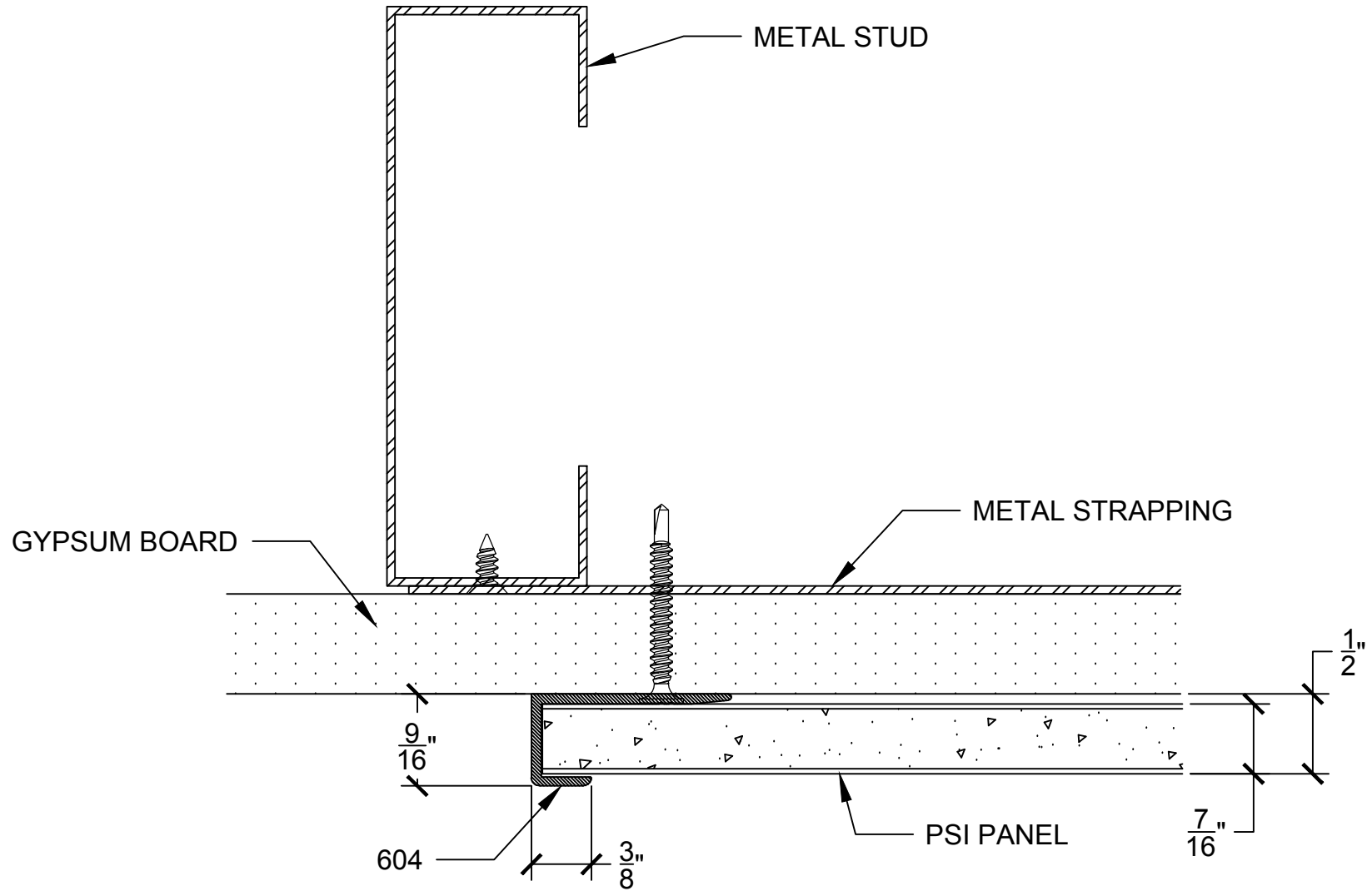
#304 EDGE TRIM @ DOOR OR WINDOW FRAME

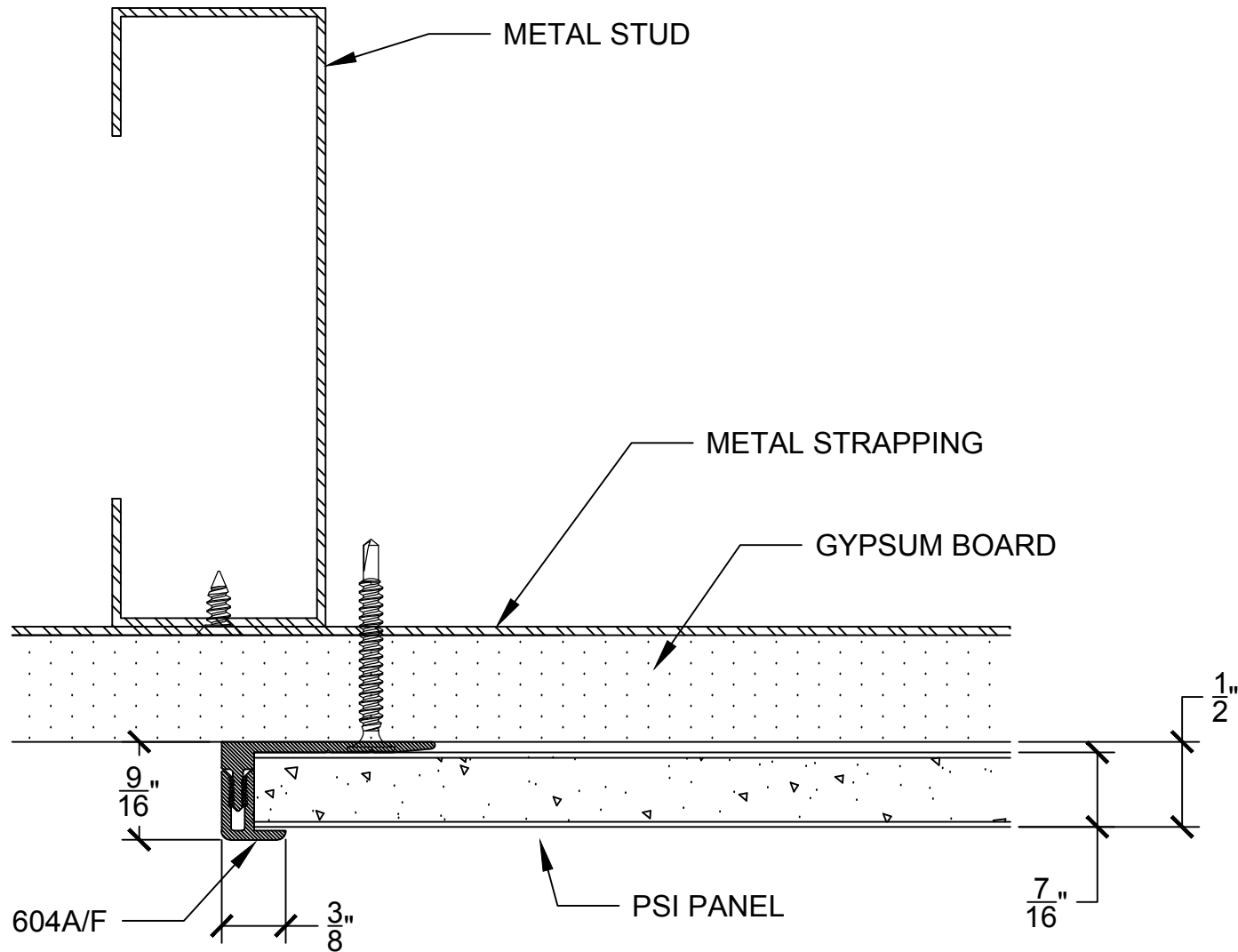
TOP VIEW



#304A EDGE TRIM @ DOOR OR WINDOW FRAME

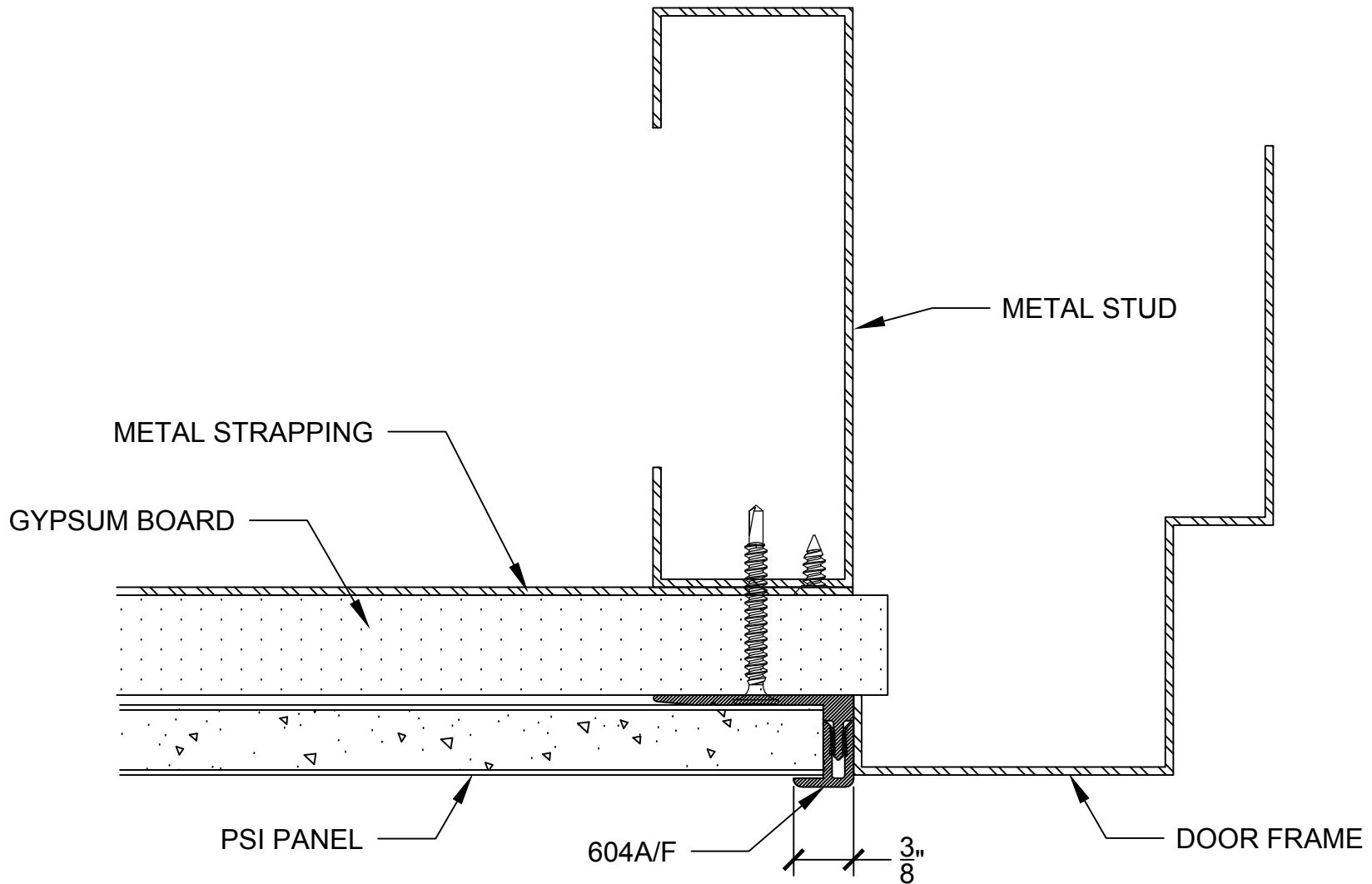
TOP VIEW





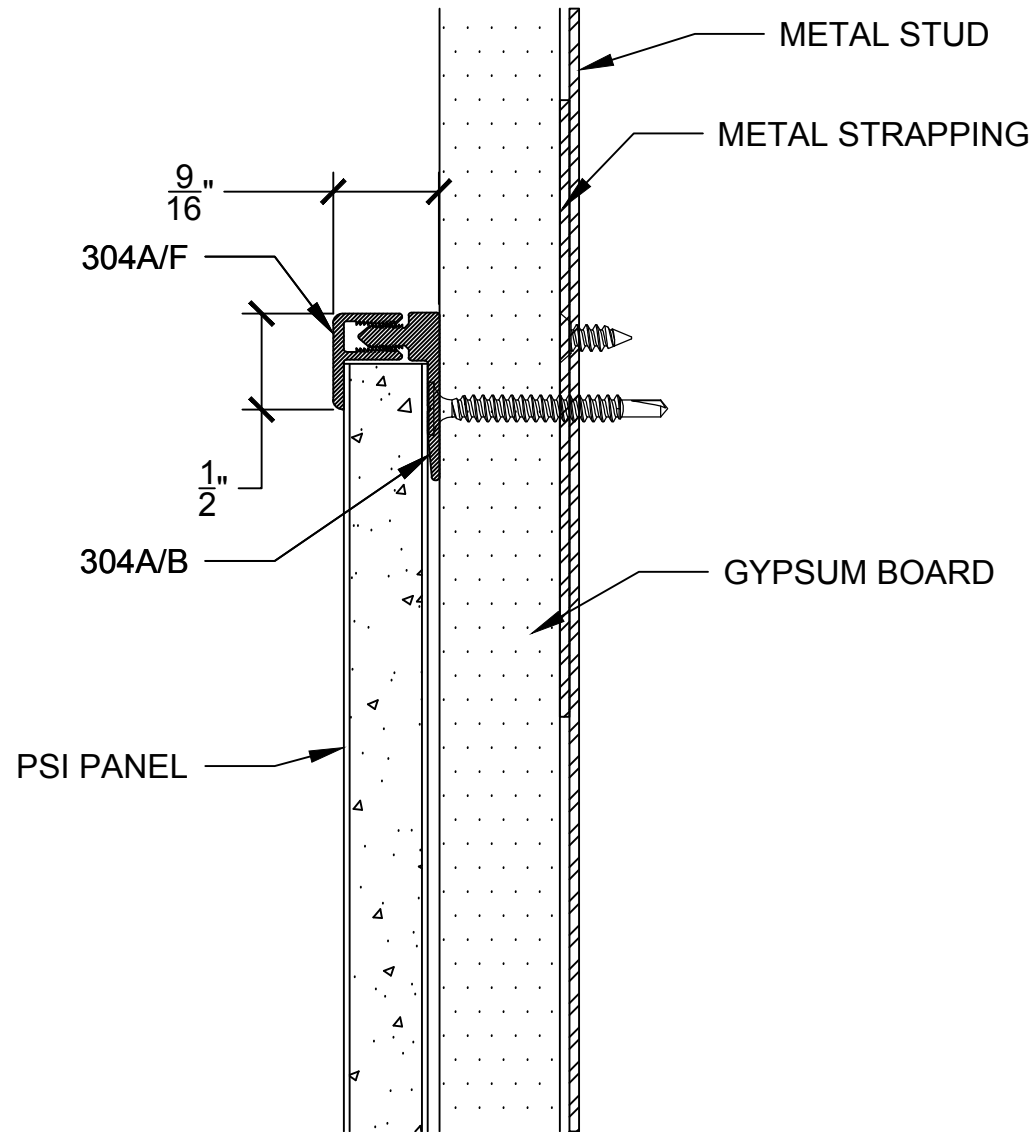
#604A VERTICAL EDGE TRIM

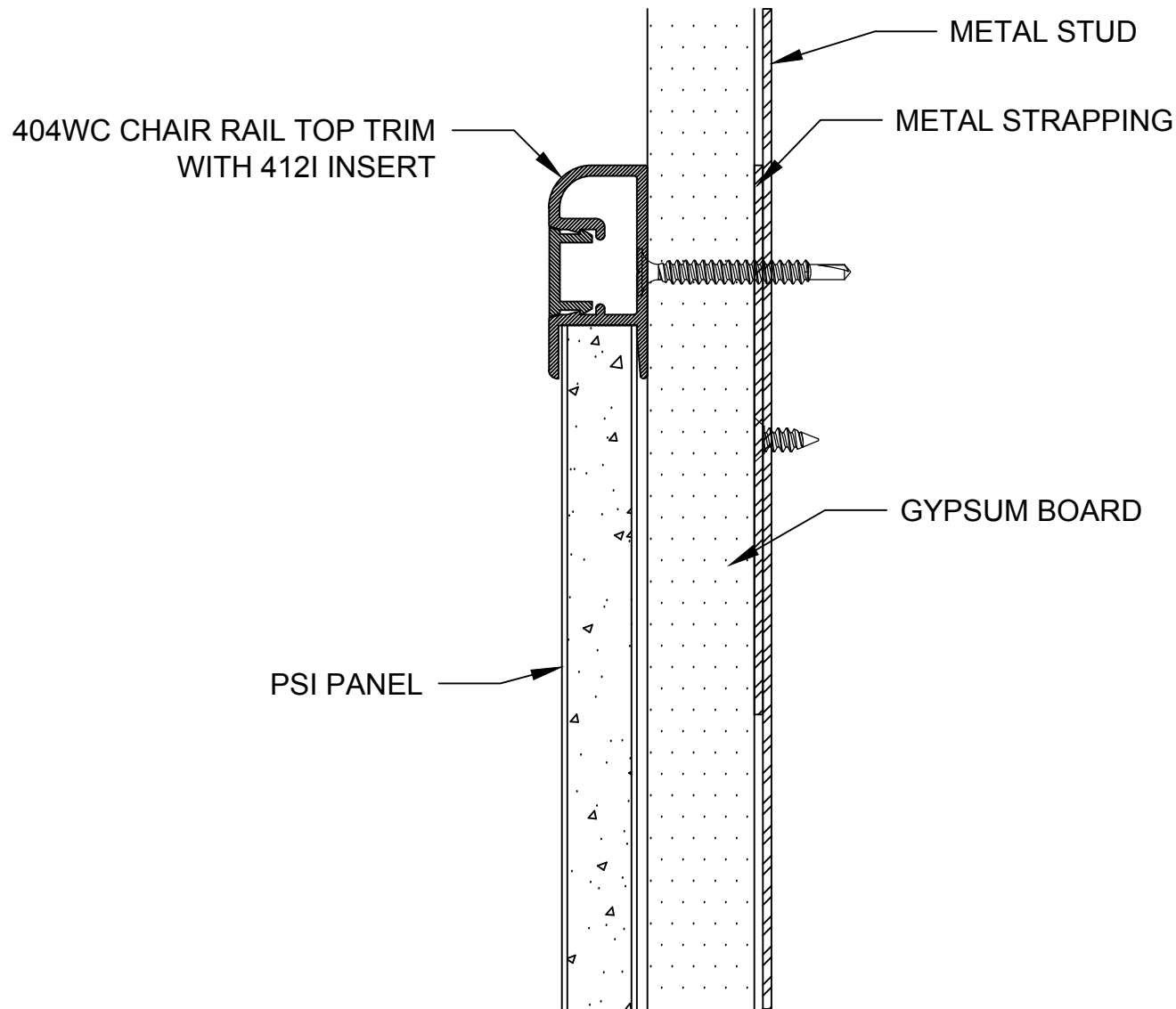
TOP VIEW

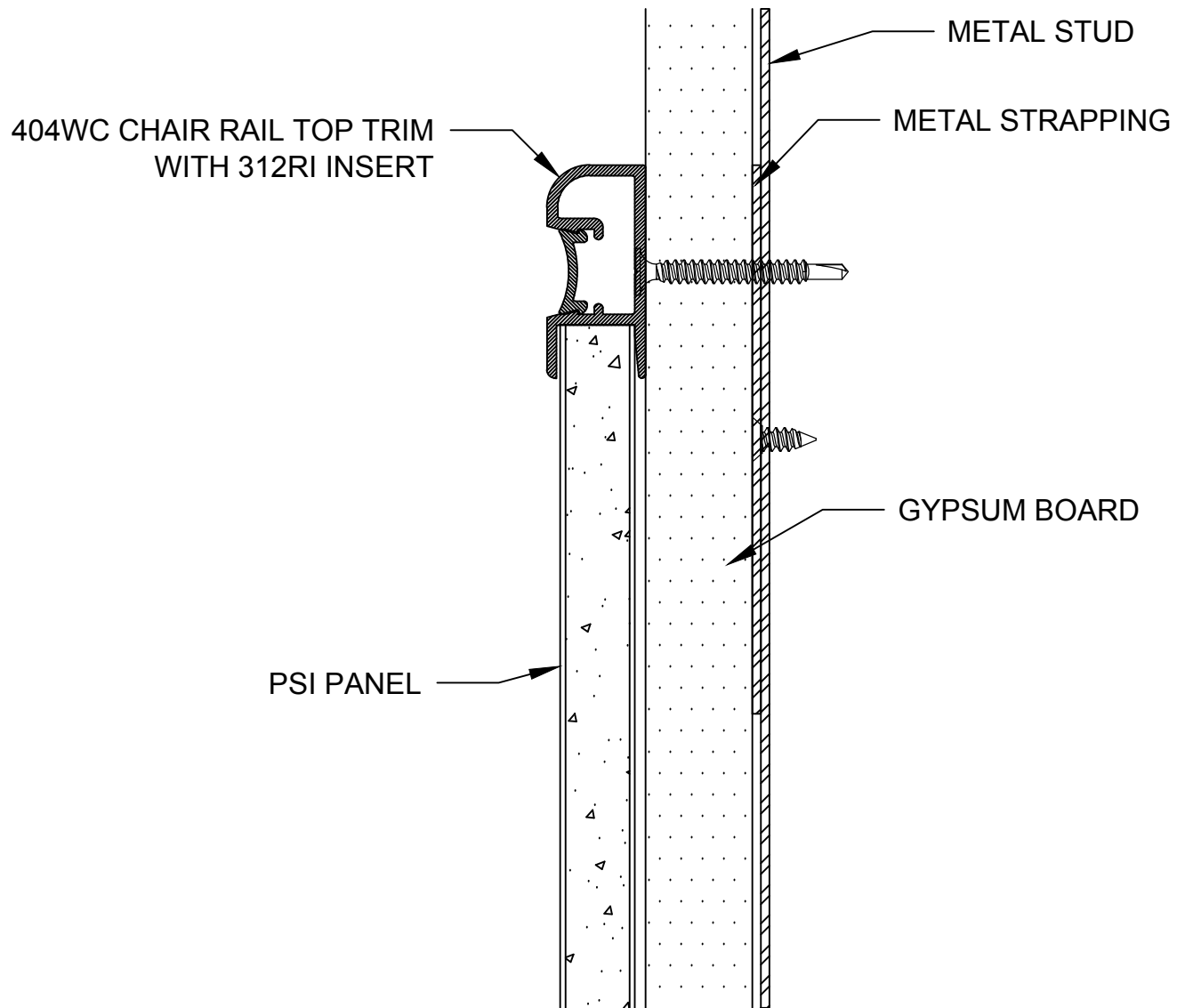


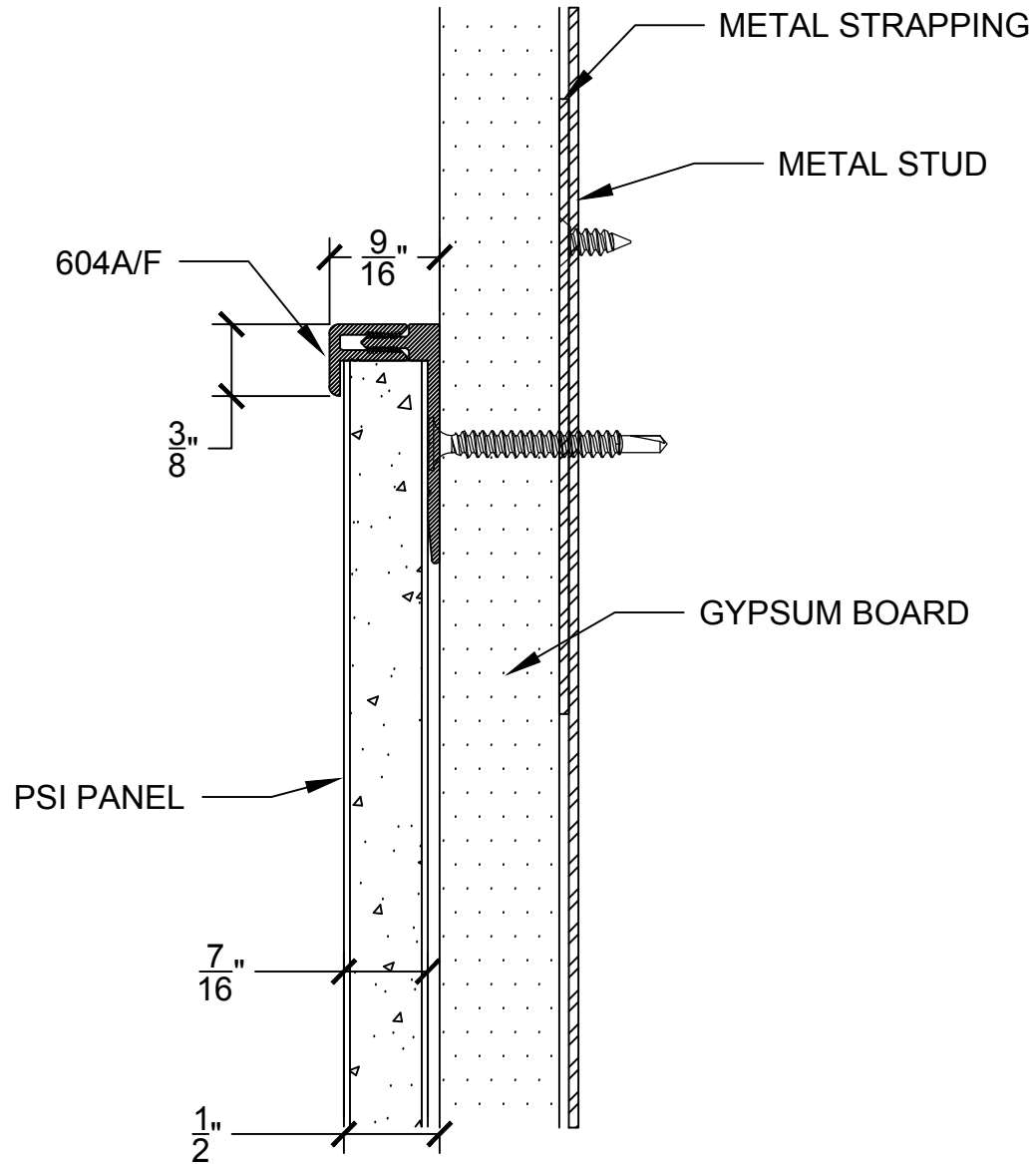
#604A EDGE TRIM @ DOOR OR WINDOW FRAME

TOP VIEW



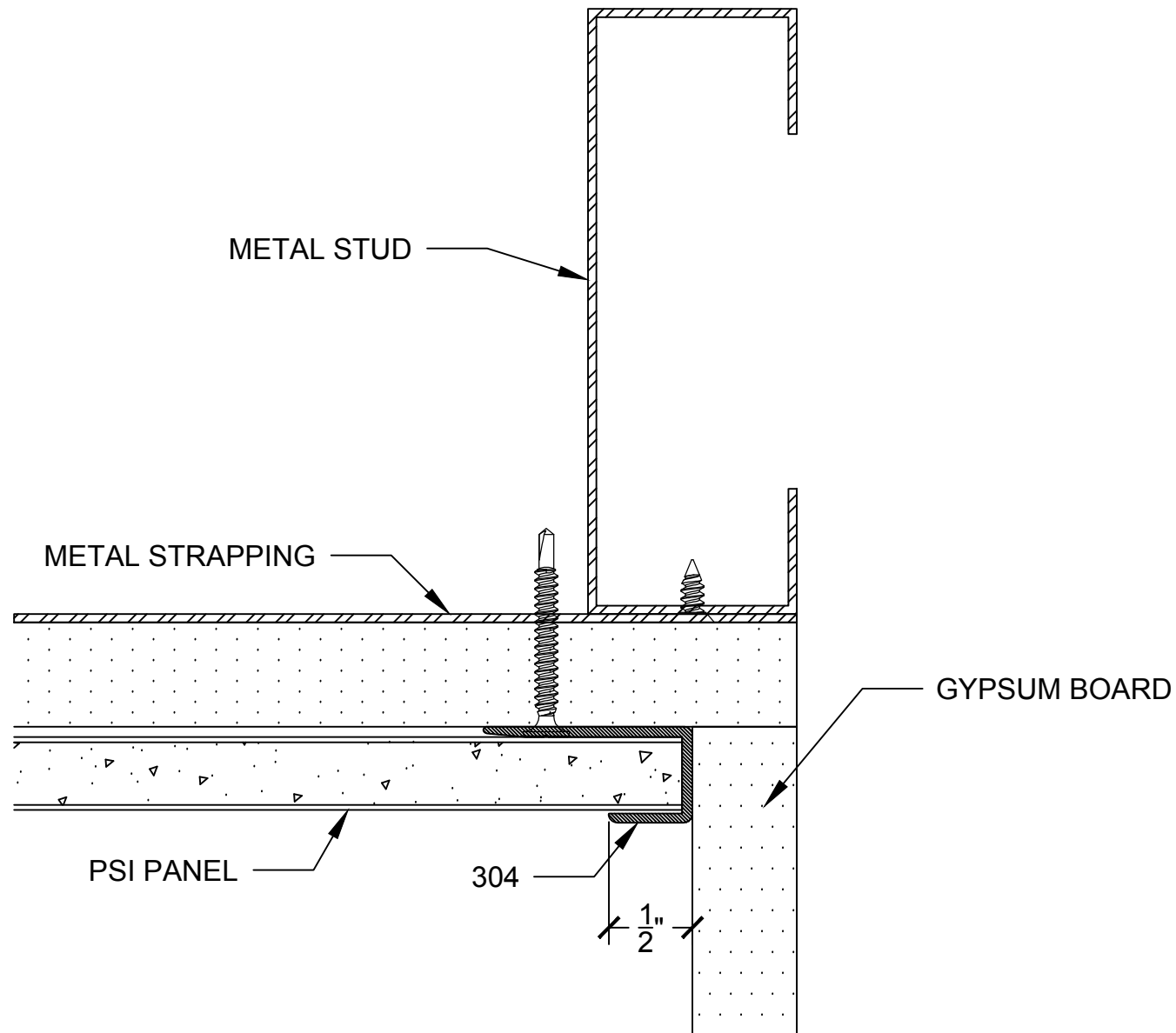


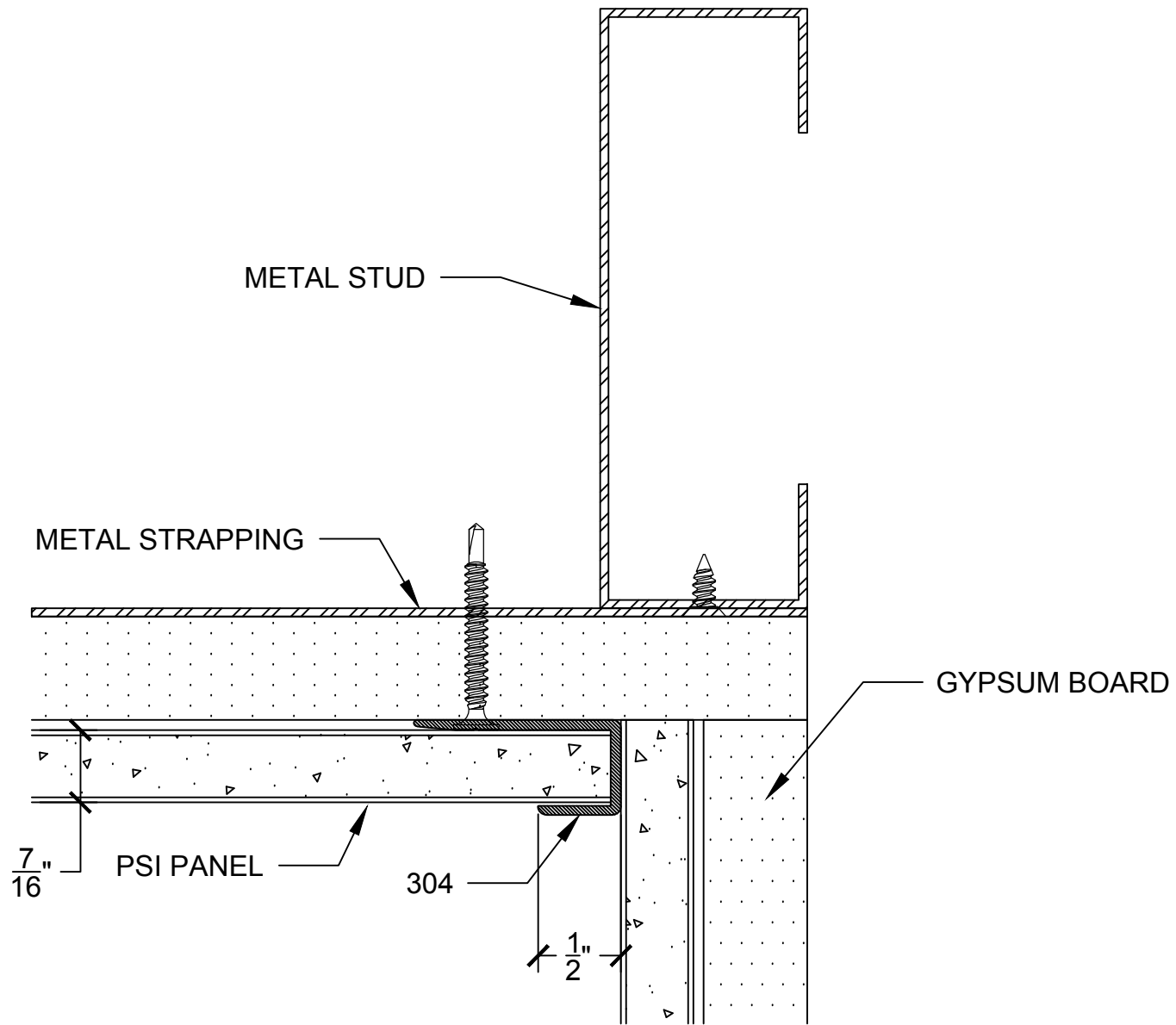


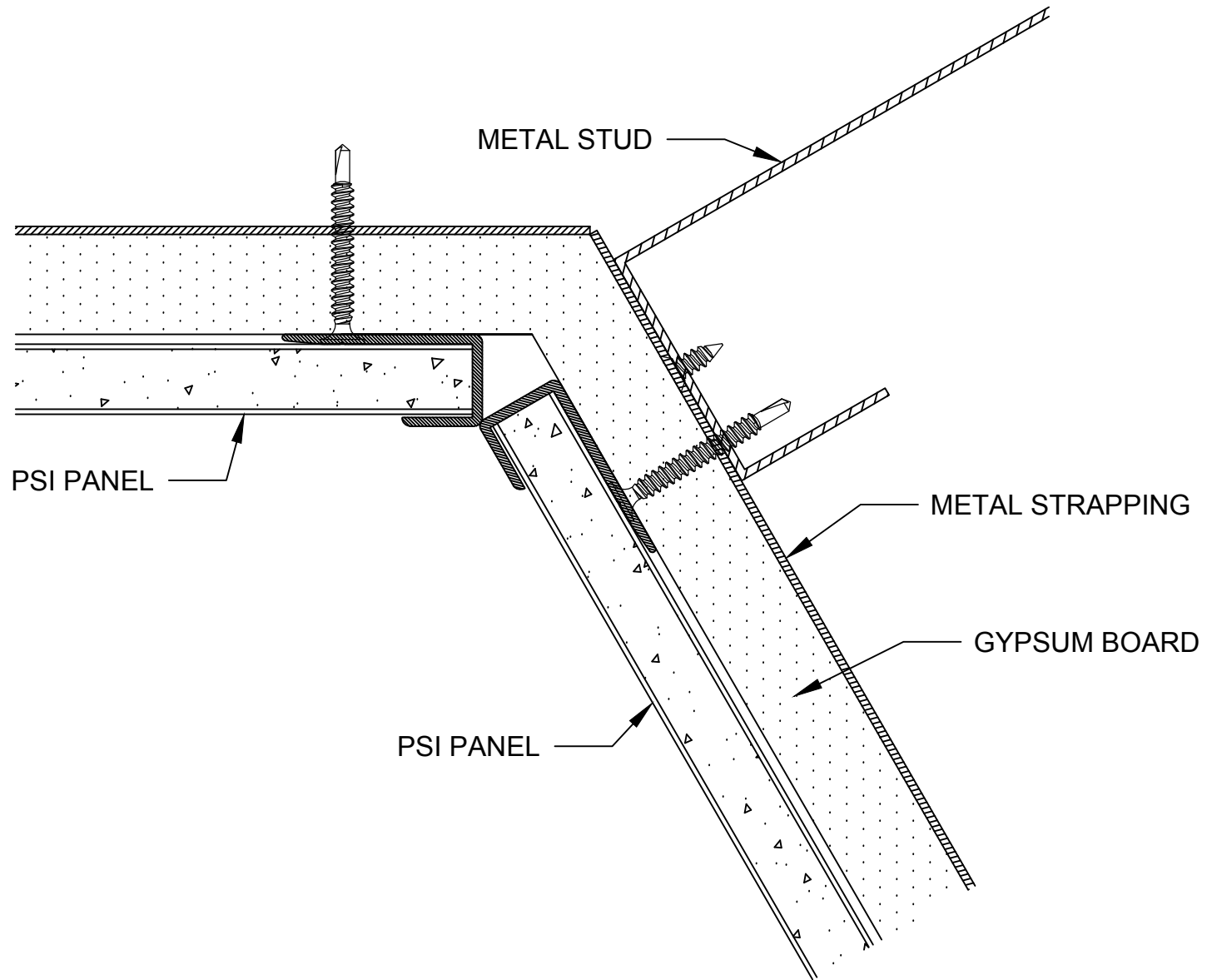


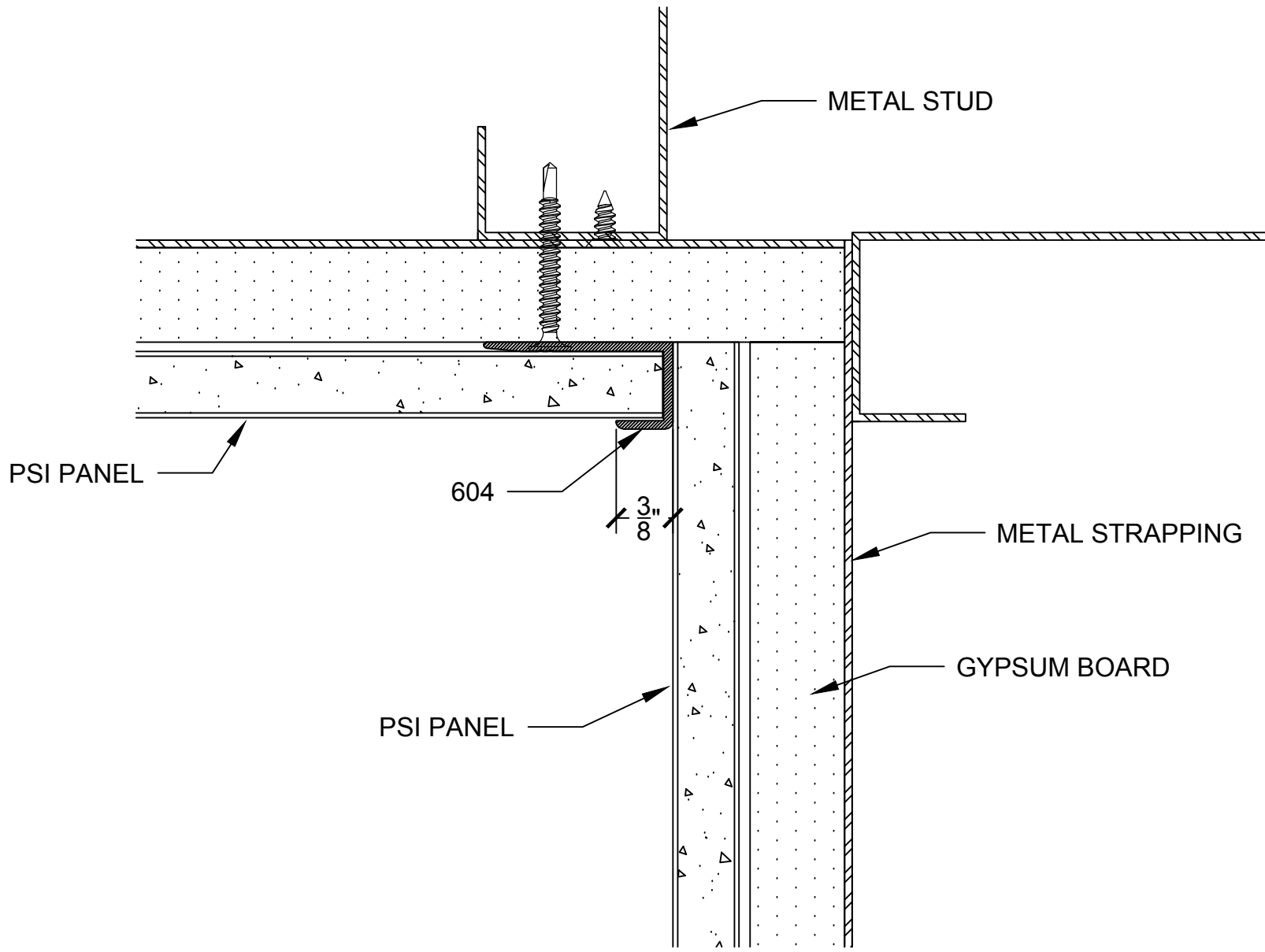
#604A TOP TRIM

RIGHT SIDE VIEW



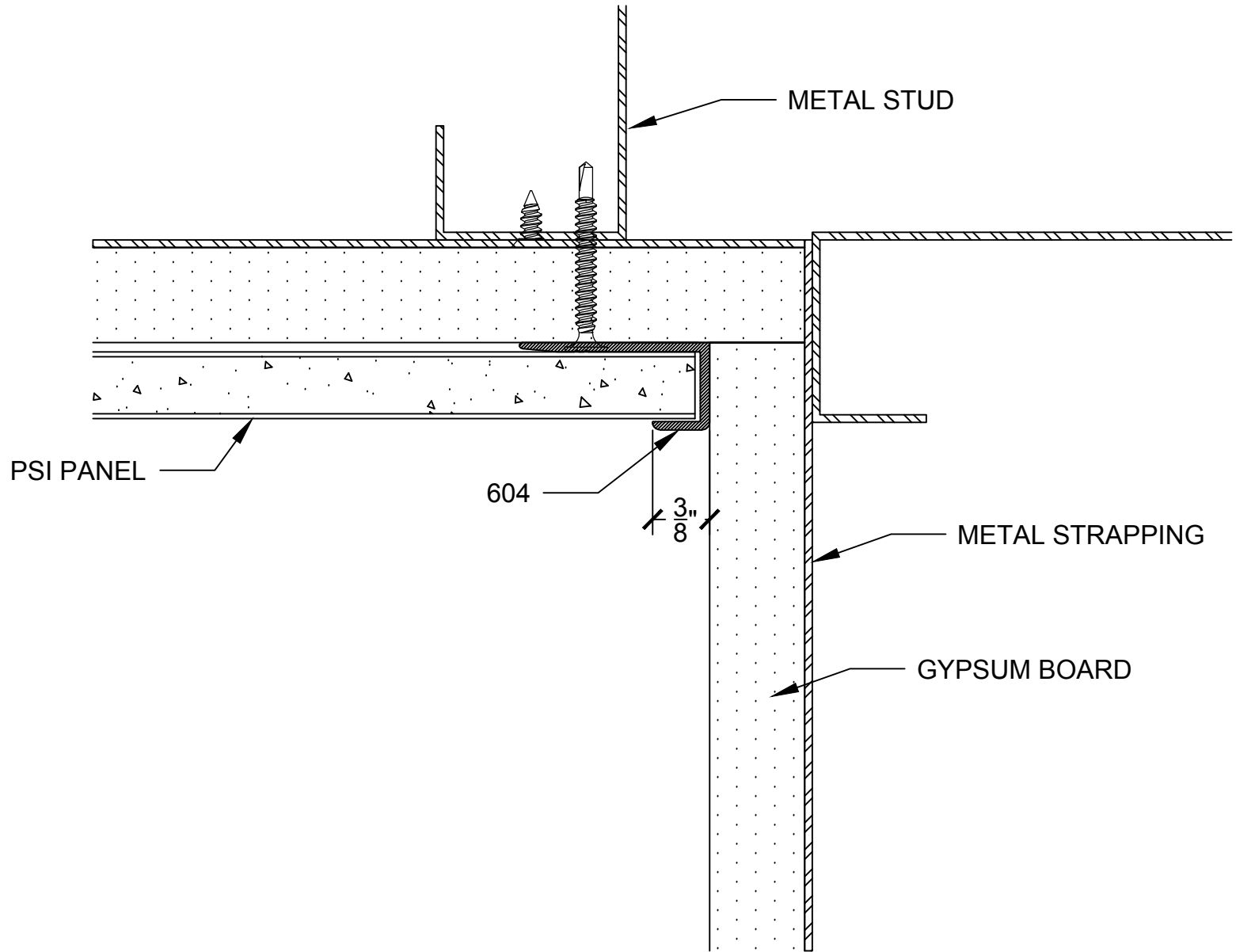






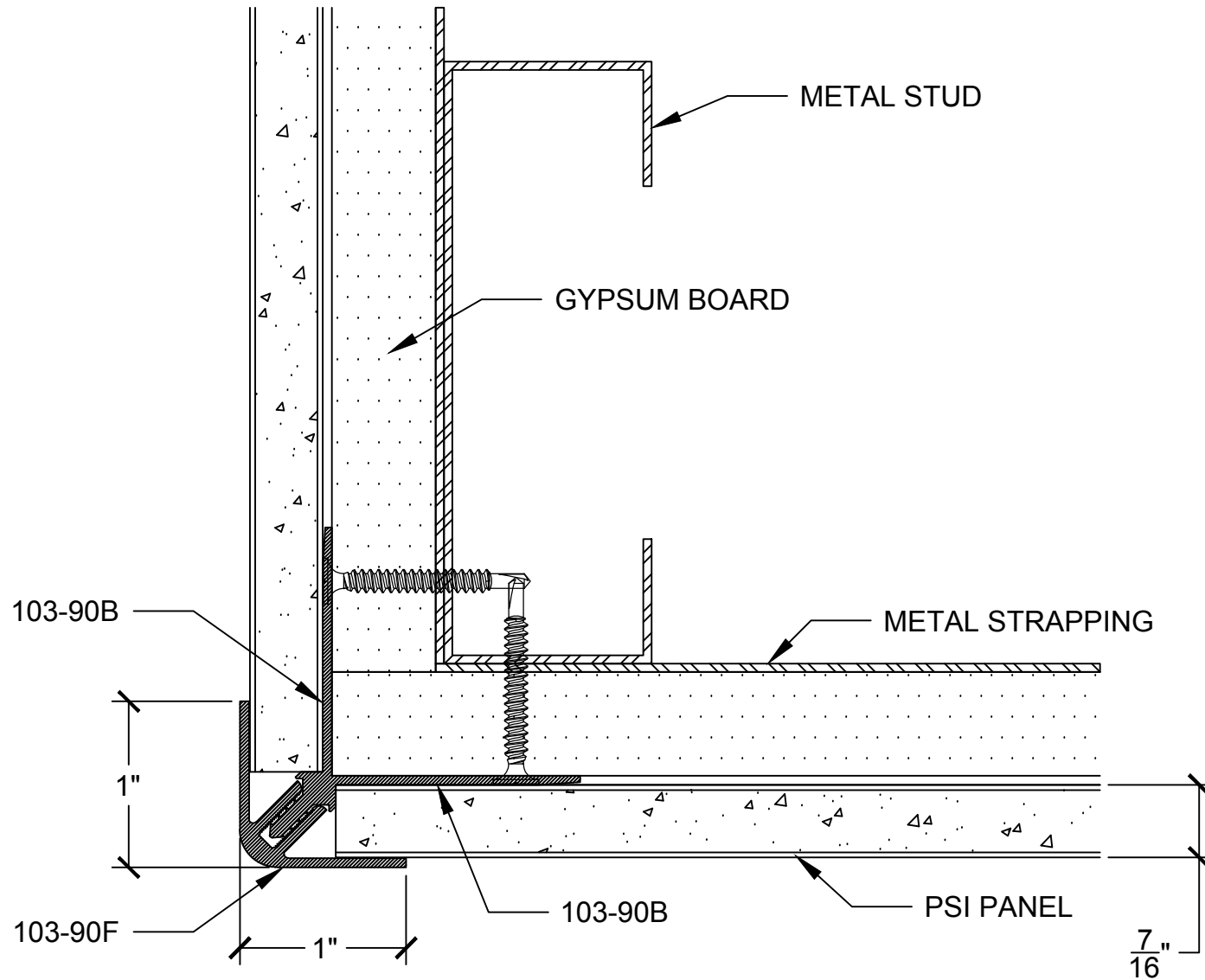
#604 INSIDE CORNER

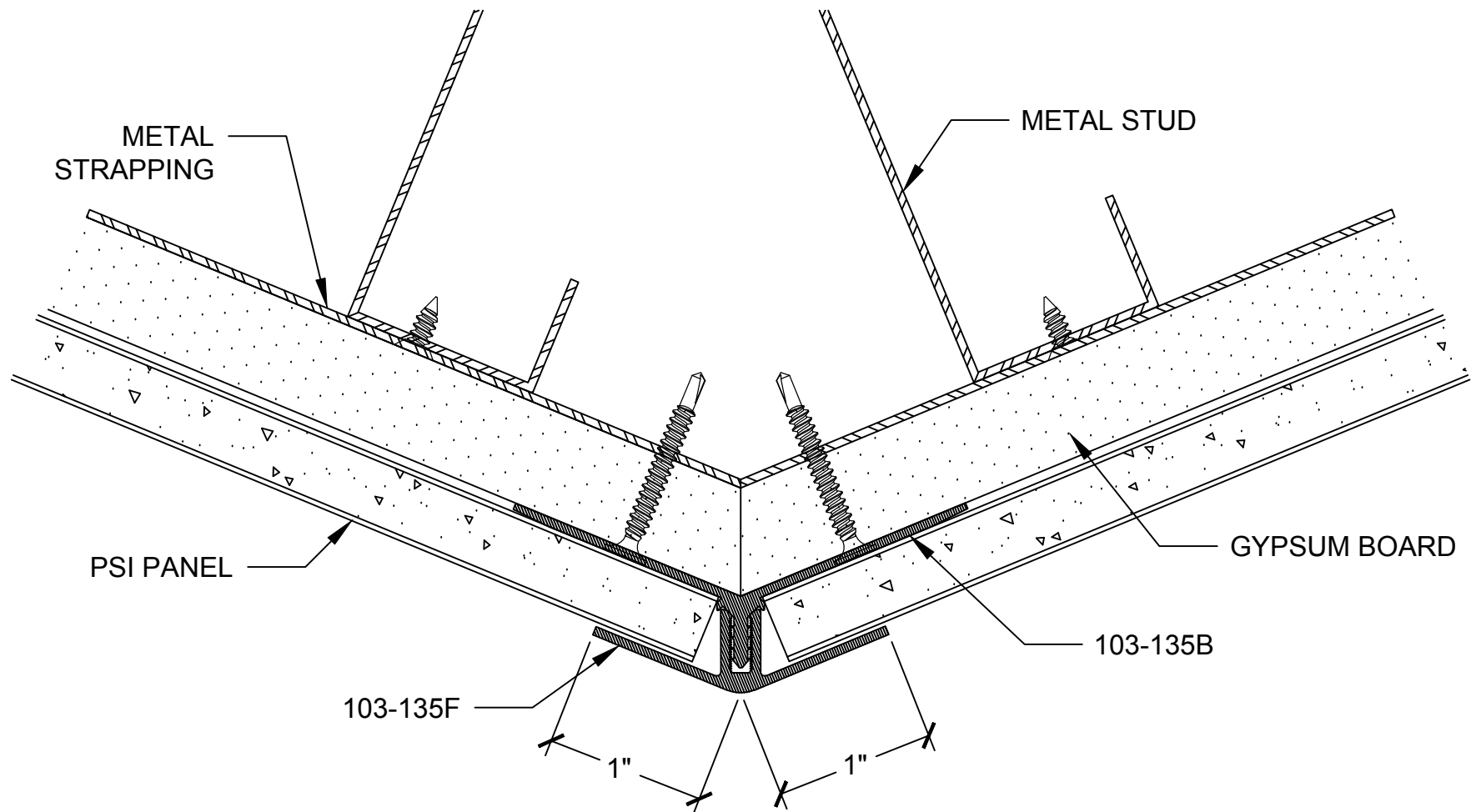
TOP VIEW

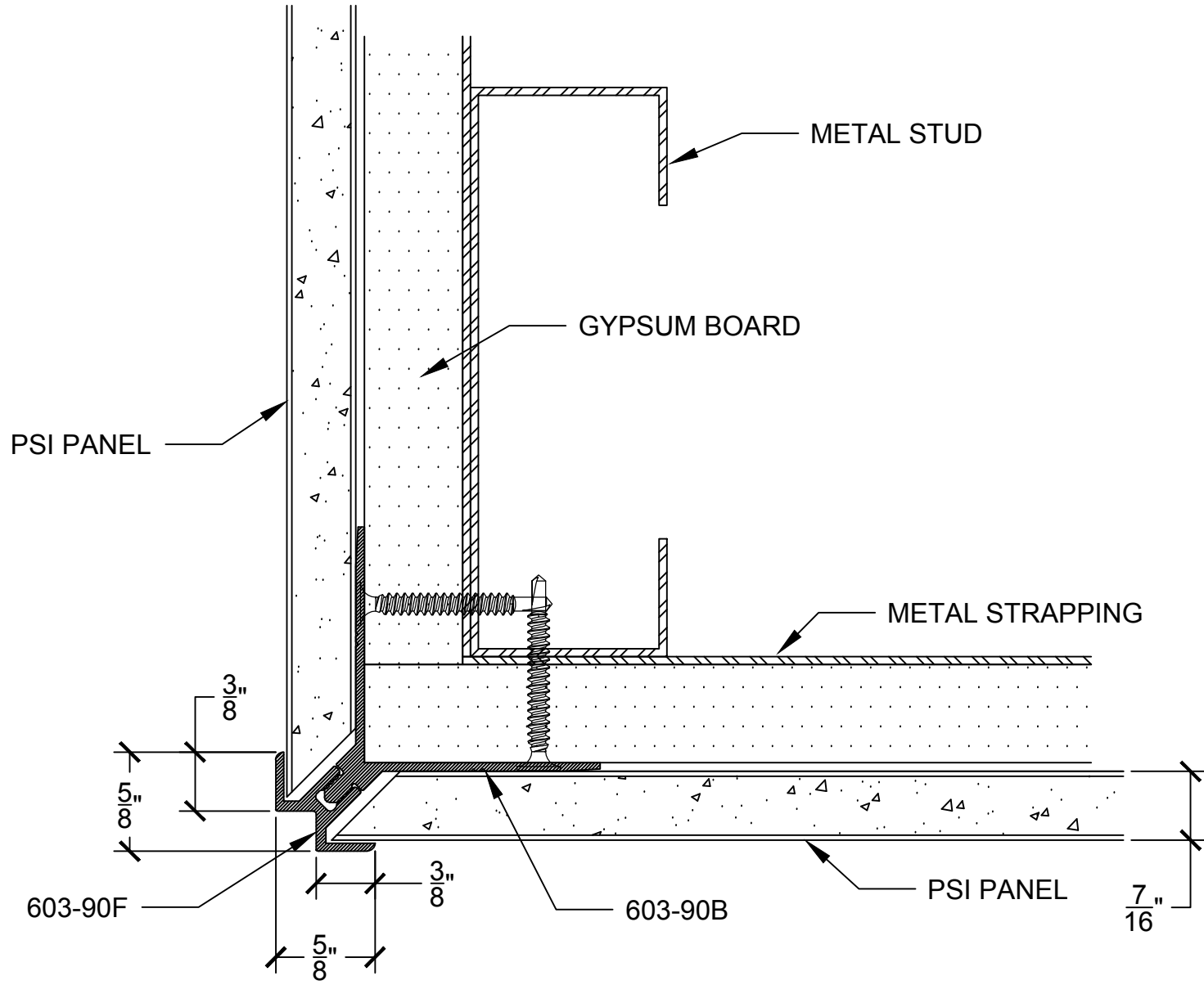


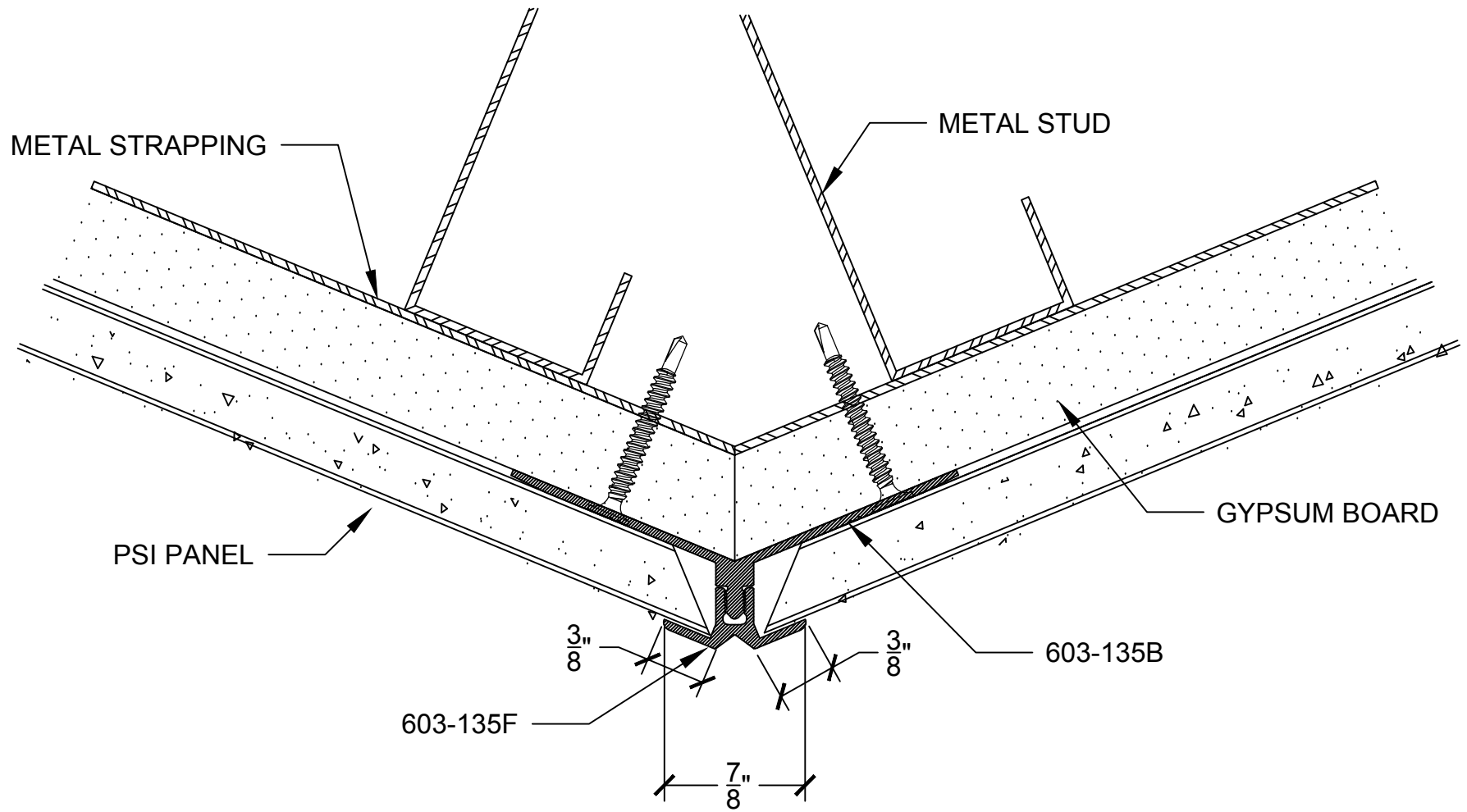
#604 INSIDE CORNER

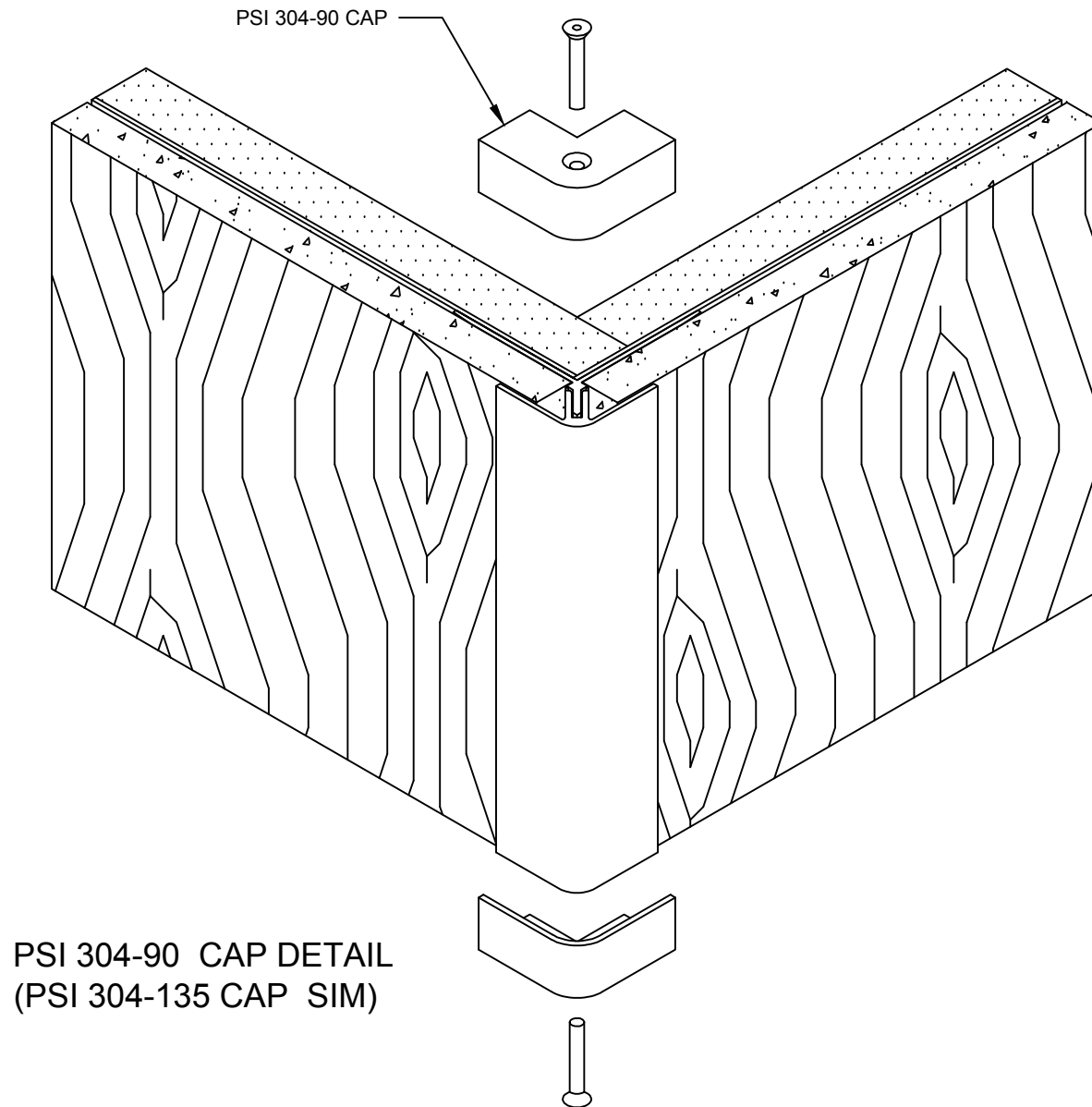
TOP VIEW

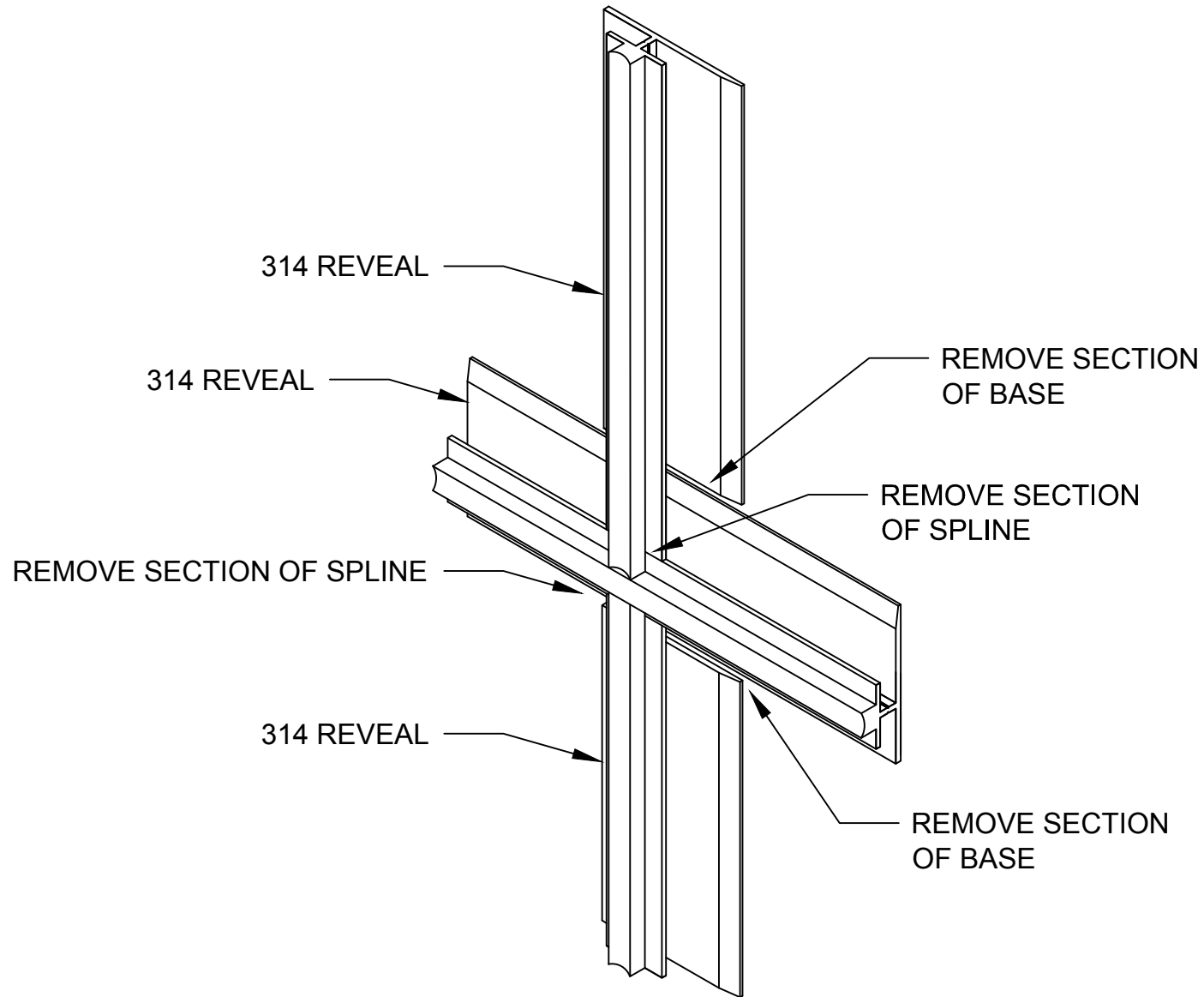




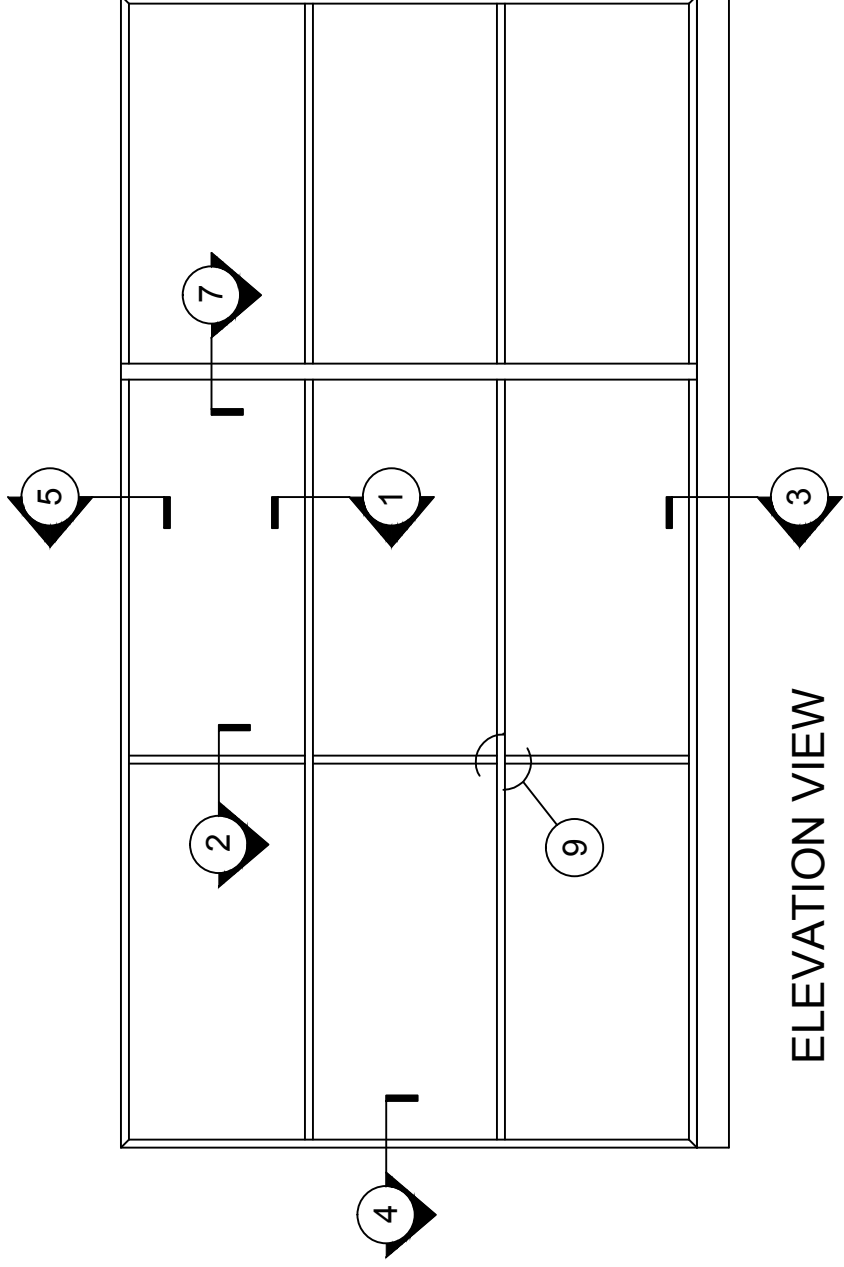




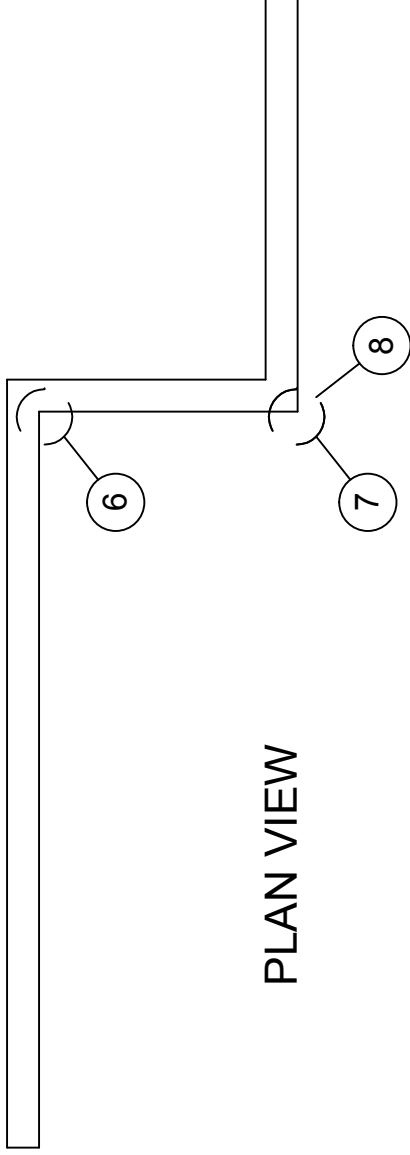




PANEL SPECIALISTS INC.
WALL PANEL SYSTEM 314



ELEVATION VIEW



PLAN VIEW